

quality . service
innovation . integrity

Model 72



Features

This "Aqua-Mate" model submersible pump is designed for use in residential or light commercial dewatering applications and can be used to transfer groundwater and effluent. The inner stainless steel can is designed to provide great heat dissipation from the motor, ensuring a long service life. As with every Zoeller pump, each one is 100% pressure-tested, submerged and run to ensure quality and reliability for years of trouble-free performance! This attention to detail is an inherent feature of every pump, making it one of the most reliable in the industry.

- Automatic units include a float-operated, 2-pole mechanical switch, a plastic float guard, a stainless steel switch arm, and a solid, buoyant polypropylene float, which prevents water from filling the float and causing a malfunction.
- For nonautomatic units, variable level control systems and containers of various sizes are available for longer cycles.
- Includes a plastic handle for easy installation and removal.
- Hermetically sealed to be watertight, dust-tight, and completely submersible.

Reserve Powered Design: For unusual conditions, a reserve safety factor is engineered into the design of every pump.

Specifications

Motor Characteristics

Horse Power	1/3 HP
Voltage	115 V
Phase	1 Ph
Hertz	60 Hz
RPM	3400 RPM
Type	Permanent split capacitor
Insulation	Class B
Amps	3.1 Amps

Pump Characteristics

Operation	Automatic or nonautomatic
Auto On/ Off Points	7-3/8" / 3-5/8" (18.7 cm / 9.2 cm)
Discharge Size	1-1/2" NPT
Solids Handling	3/8" (10 mm) spherical solids
Cord Length	9' (3 m) standard
Cord Type	UL listed cord with 3-prong plug
Max Head	18' (5.5 m)
Max Flow Rate	38 GPM (144 LPM)
Max Operating Temp	110° F (43° C)
Cooling	Oil free
Motor Protection	Auto reset thermal overload

Materials Characteristics

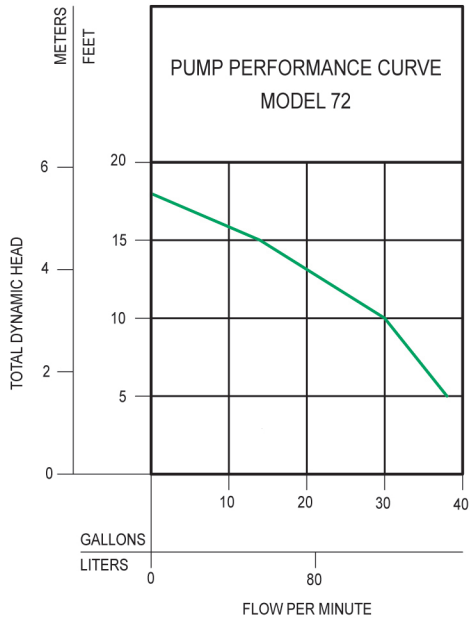
Motor Housing	Engineered plastic
Pump Housing	Engineered plastic
Base	Engineered plastic
Upper Bearing	Ball bearing
Lower Bearing	Ball bearing
Mechanical Seals	Carbon and ceramic
Impeller Type	Non-clogging vortex
Impeller	Engineered plastic
Hardware	Stainless steel
Motor Shaft	410 stainless steel
Gasket	Buna-N o-ring



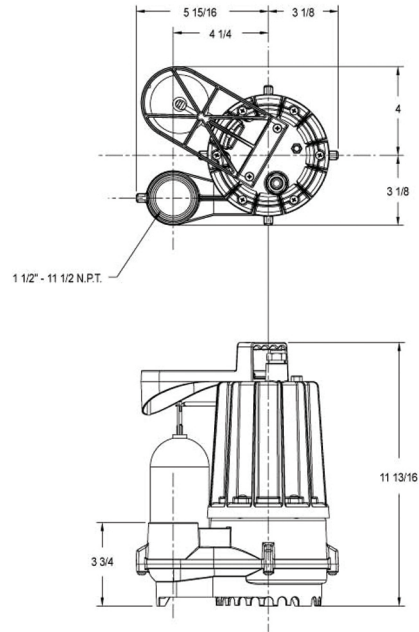
PUMP COMPANY

Zoeller Family of Water Solutions™

Model 72



012051



SK1924

Model

Model Number	Seal	Mode	Volts	Phase	Amps	HP	Hz	Lbs	Kg
M72	Single	Auto	115	1	3.1	1/3	60	9.5	4.3
N72	Single	Non	115	1	3.1	1/3	60	9.5	4.3
BN72	Single	Non	115	1	3.1	1/3	60	9.5	4.3

Your Peace of Mind is Our Top Priority®
 3649 Cane Run Rd | Louisville, KY 40211 USA
 1-800-928-7867 | Fax: +1 502-774-3624
www.zoeller.com