



▲WARNING SERVICE TECHNICIAN ONLY — read and follow completely.

Replacement parts

Table 6 Series 3 section and flue collector parts

Item	Description	Part no.
A	Regular front section 7022	316-700-215
B	Wide intermediate section (WGO-3) 7010	316-700-075
B	Narrow intermediate section 7015	316-700-065
C	Intermediate section w/draw rod lugs 7016	316-700-070
D	Back section w/7" flue, supply & 2" return 7027	316-700-235
E	Section replacement kit (for 1 joint, includes seals, rope, adhesive and collector hood hardware) front or back section	386-700-852
	Section replacement kit (for 2 joints, includes seals, rope and adhesive) intermediate section	386-700-851
	Section assembly complete, for WGO-2	386-700-650
	Section assembly complete, for WGO-3	386-700-651
	Section assembly complete, for WGO-4	386-700-652
	Section assembly complete, for WGO-5	386-700-653
	Section assembly complete, for WGO-6	386-700-654
	Section assembly complete, for WGO-7	386-700-655
	Section assembly complete, for WGO-8	386-700-656
	Section assembly complete, for WGO-9	386-700-657
F	Collector hood kit for WGO-2*	386-700-336
F	Collector hood kit for WGO-3*	386-700-337
F	Collector hood kit for WGO-4*	386-700-337
F	Collector hood kit for WGO-5*	386-700-338
F	Collector hood kit for WGO-6*	386-700-339

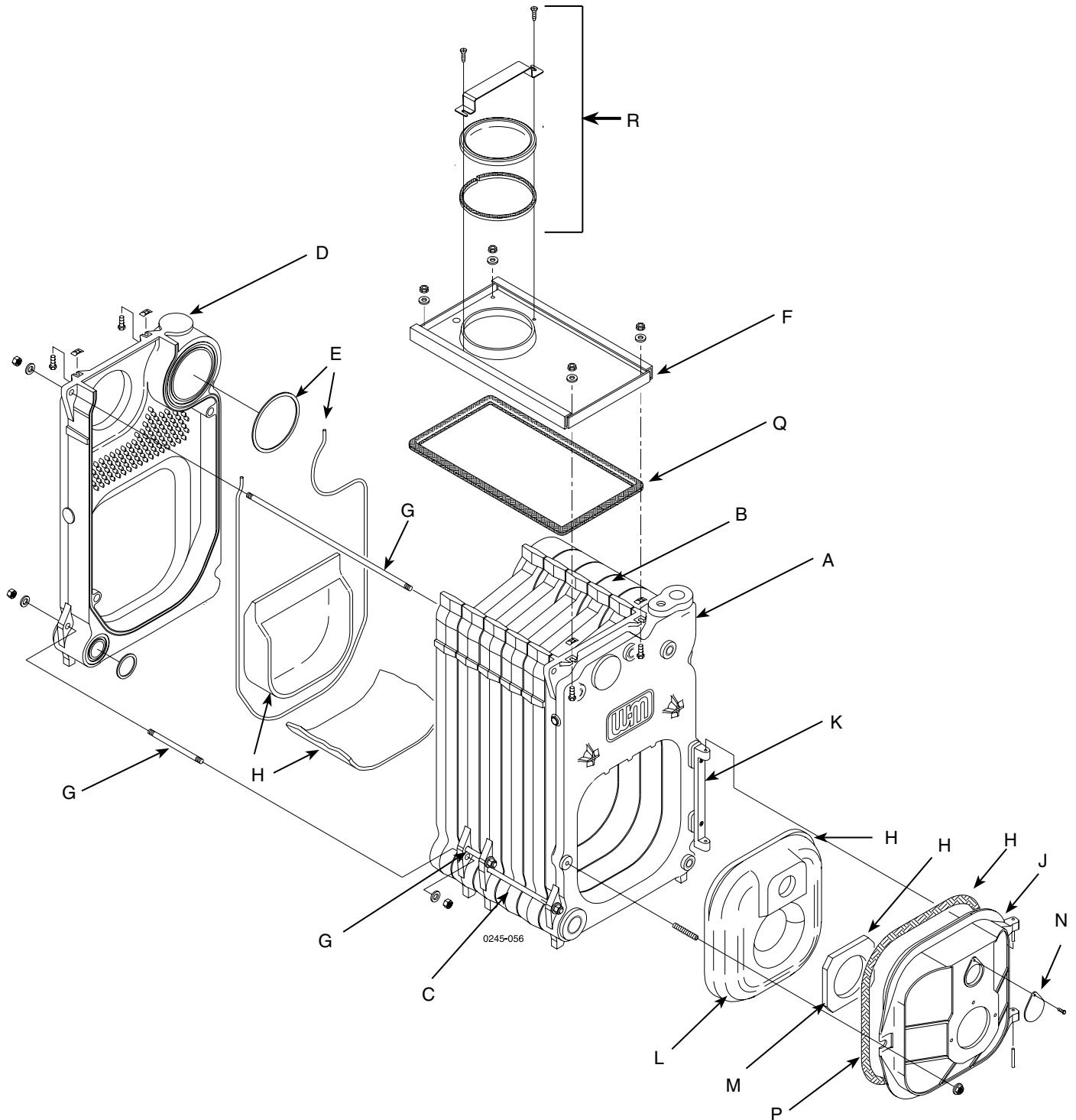
Item	Description	Part no.
F	Collector hood kit for WGO-7*	450-020-188
F	Collector hood kit for WGO-8*	450-020-189
F	Collector hood kit for WGO-9*	450-020-190
G	Tie rod ½ x 5½ (WGO-7, 8, 9)	560-234-464
G	Tie rod ½ x 10¾ (WGO-2 & 7)	560-234-491
G	Tie rod ½ x 12 (WGO-7)	560-234-492
G	Tie rod ½ x 14 (WGO-3, 4, 8, 9)	560-234-470
G	Tie rod ½ x 15 (WGO-9)	560-234-495
G	Tie rod ½ x 17 (WGO-5)	560-234-472
G	Tie rod ½ x 20 (WGO-6)	560-234-534
G	Tie rod ½ x 23¼ (WGO-7)	560-234-538
G	Tie rod ½ x 26¾ (WGO-8)	560-234-542
G	Tie rod ½ x 29½ (WGO-9)	560-234-497
H	Combustion chamber kit (rear & frt. ref., door ref. blanket, rope, blanket & water glass)	386-700-355
	Burner mounting door assembly (door, obs. port, rope, ins. & pins)	386-700-358
J	Burner mounting door 7070	330-054-302
K	Door hinge 7054	330-054-300
L	Door refractory	386-700-359
M	Door refractory blanket	591-222-115
N	Observation port shutter	460-039-867
P	Door seal rope 5'	590-735-104
Q	⅜" Glass rope for collector hood (7' for largest size hood)	590-735-109
R	Flue cap assembly (cap, strap, rope & screws)	386-700-344
	Flue brush 123D	591-706-214
	Blocked vent shutoff switch (Canada only)	511-624-650
*	Includes flue cap assembly, rope and hardware for installation.	



WARNING SERVICE TECHNICIAN ONLY — read and follow completely.

Replacement parts (continued)

Figure 27 Parts drawing



NOTICE Repair parts must be purchased through Weil-McLain for the specific boiler as indicated in the list below. Results from using modified or other manufactured parts will not be covered by warranty and may damage boiler or impair operation.



▲WARNING SERVICE TECHNICIAN ONLY — read and follow completely.

Replacement parts (continued)

Table 7 Series 3 trim parts

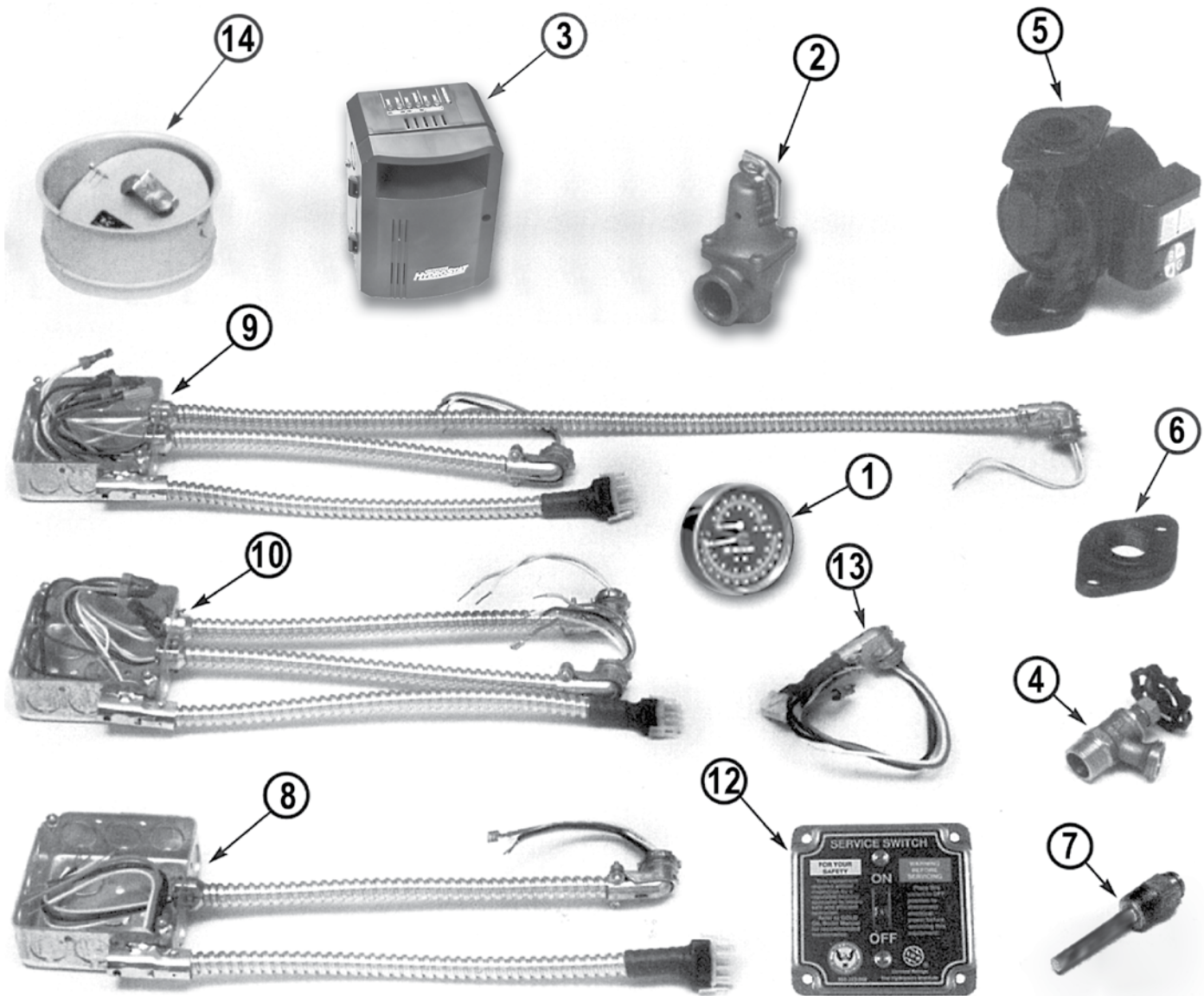
Fig. No.	Part no.	Description	Mfr.	Mfr. part no.
1	380-000-000	Combination pressure-temperature gauge kit, 60° – 360° F., 0 - 75 psi, 3/8" dia., 1/4" NPT, short shank, with 1/4" x 1/2" reducing bushing	Weil-McLain	
2	511-546-920	ASME pressure relief valve, set to relieve at 30 PSIG, 3/4" male inlet, 3/4" female outlet	Conbraco	M330
3	381-300-000	Electronic aquastat, high limit or combination high/low limit, with LWCO, high limit 100°– 220°, low limit 110°- 200°, circulator amps: 5.8 FLA, anticipator: 0.2 amps	Hydrolevel	3250
4	511-210-423	Drain cock, 3/4", 1 1/2" shank	Conbraco	31-606-01
	511-246-392	Drain cock, 3/4"	Hammond	710
		Drain cock, 3/4"	Watts	BD2C
		Drain cock, 3/4"	Matco-Norca	
		Drain cock, 3/4"	Nibco	#74
5	511-405-113	Circulator, 1/25 HP, 120/60/1 motor, 175 RPM, 0.75 amps	Taco	W007F
6	381-354-526	Circulator universal hardware kit 1 1/4" (Includes: (1) Flange, (1) Gasket, (2) Screws and (2) nuts) for sizes 2, 3 & 4 only	Weil-McLain	
	381-354-531	Circulator universal hardware kit 1 1/2" (Includes: (1) Flange, (1) Gasket, (2) Screws and (2) nuts) for sizes 5 & 6 only	Weil-McLain	
7	592-300-026	3/4" NPT well, 4.25" long	Hydrolevel	
8	591-391-846	Junction box - wiring harness assembly (series 1 A & B only)	Weil-McLain	
9	591-391-856	Junction box - wiring harness assembly (series 1 only - large pump)	Weil-McLain	
10	591-391-836	Junction box - wiring harness assembly (series 2 & 3 packaged only)	Weil-McLain	
11	591-391-837	(Not shown) Junction box - wiring harness assembly (series 2 & 3 A & B only)	Weil-McLain	
12	591-391-854	Junction box cover assembly with service switch	Weil-McLain	
13	591-391-850	Burner harness assembly	Weil-McLain	
14	510-512-267	Barometric damper	Weil-McLain	
15	426-700-268	(Not shown) Flue pipe brackets (set of 2)		



WARNING SERVICE TECHNICIAN ONLY — read and follow completely.

Replacement parts (continued)

Figure 28 Series 3 trim





▲WARNING SERVICE TECHNICIAN ONLY — read and follow completely.

Replacement parts (continued)

Table 8 Weil-McLain part numbers

Model	1		2		3		
	Jacket panel with insulation — front		Left side and rear			Right side and rear	Top panel with cap
	UL	Non-UL	UL	Non-UL			
WGO-2	381-355-494	381-355-593	381-355-495	381-355-496	426-700-250	381-355-497	
WGO-3	381-355-494	381-355-593	381-355-498	381-355-499	426-700-252	381-355-500	
WGO-4	381-355-494	381-355-593	381-355-501	381-355-502	426-700-252	381-355-771	
WGO-5	381-355-494	381-355-593	381-355-503	381-355-504	426-700-254	381-355-505	
WGO-6	381-355-494	381-355-593	381-355-506	381-355-507	426-700-256	381-355-508	

Complete Jacket cartons		
	UL	Non-UL
7 section	416-700-170	416-700-171
8 section	416-700-172	416-700-173
9 section	416-700-174	416-700-175

Common jacket parts for all boilers	
Plastic flue cap cover w/insulation	560-907-687
Jacket hardware kit	386-700-853
Touch up paint, gold spray can	592-000-000



▲WARNING SERVICE TECHNICIAN ONLY — read and follow completely.

Replacement parts (continued)

Figure 29 Boiler jacket

