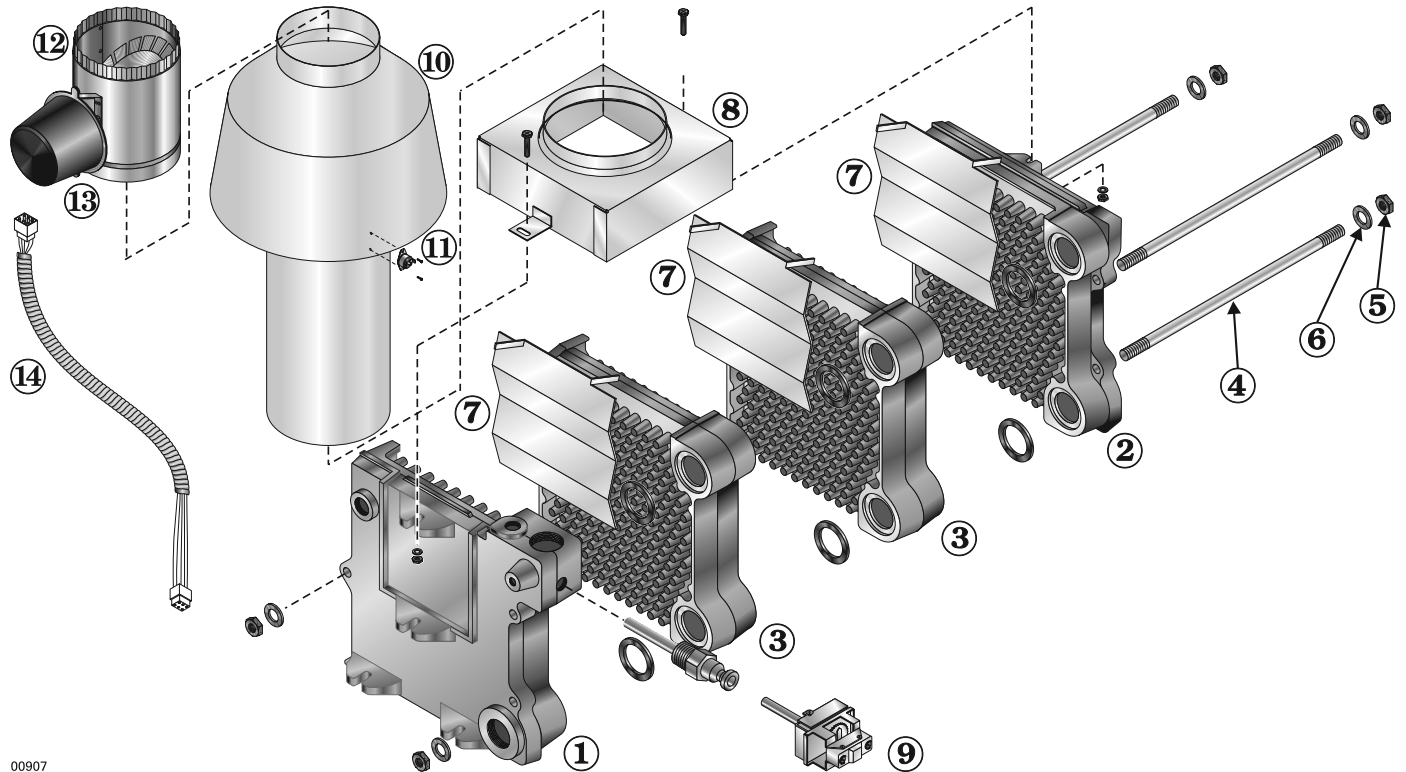




12b Replacement parts – section assembly

Figure 31 Section assembly, flue collector, draft hood and vent damper



00907

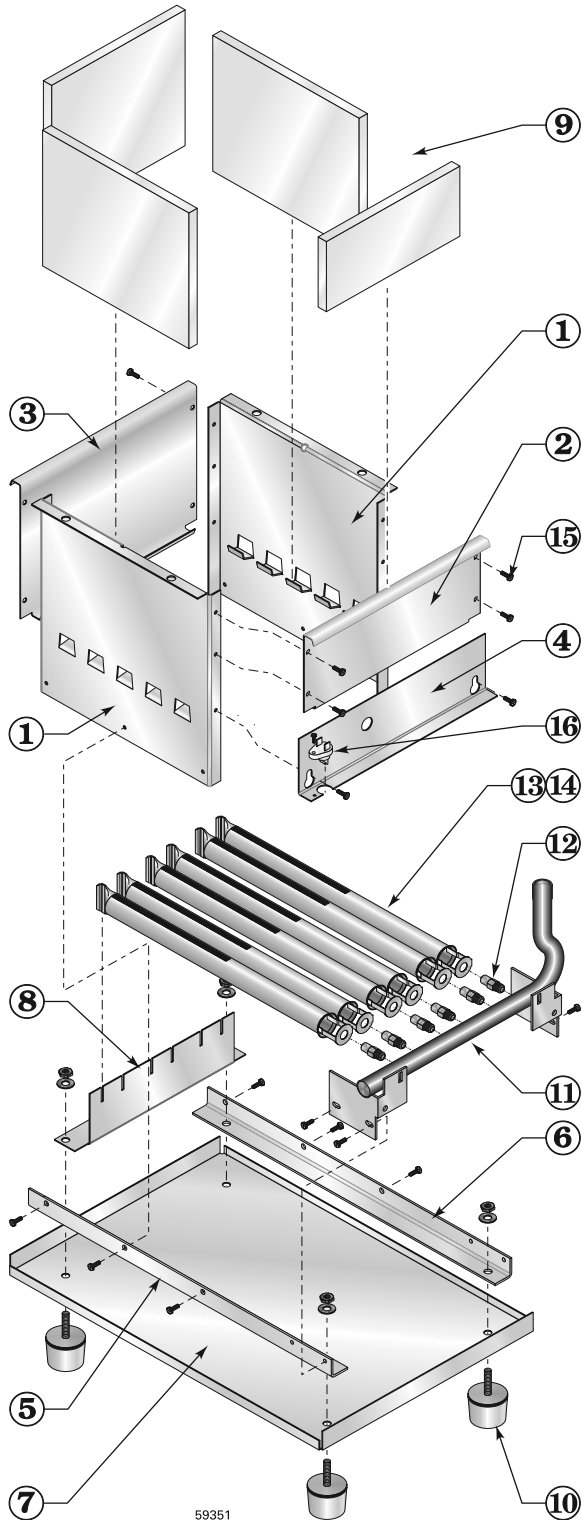
Item number	Description	Weil-McLain part number
1	End section, left hand, 51124	311-103-830
2	End section, right hand, 51128	311-103-821
3	Intermediate section, 51125	311-103-818
not shown	Replacement section assembly	CGa-25 & CGa-3 321-114-345 CGa-4 321-114-346 CGa-5 321-114-347 CGa-6 321-114-348 CGa-7 321-114-349 CGa-8 321-114-350
not shown	Section replacement kit, includes seals and sealant for 1 joint	381-354-527
4	Tie rod, 7/16" without nut (3 per boiler):	CGa-25 & CGa-3 560-234-500 CGa-4 560-234-501 CGa-5 560-234-502 CGa-6 560-234-503 CGa-7 & CGa-8 560-234-504
5	Nut, 7/16" (2 per tie rod)	561-928-235
6	Washer, 7/16" (1 per tie rod)	562-248-684
7	Radiation plate (1 per joint)	460-003-700
8	Collector hood	CGa-25 381-354-625 CGa-3 381-354-626 CGa-4 381-354-627 CGa-5 381-354-628 CGa-6 381-354-629 CGa-7 381-354-630 CGa-8 381-354-631

Item number	Description	Weil-McLain part number
9	High limit, 30° differential, with well	Honeywell L4080D1036 White-Rodgers 11B81-3 510-312-250
10	Draft hood	CGa-25 450-021-240 CGa-3 450-021-241 CGa-4 450-021-242 CGa-5 450-021-243 CGa-6 450-021-244 CGa-7 450-021-245 CGa-8 450-021-246
11	Spill switch (210°F) Spill switch (240°F)	CGa-25 510-300-013 CGa-3 through -8 510-300-014
12	Vent damper	4" 381-800-474 5" 381-800-475 6" 381-800-476 7" 381-800-477
13	Vent damper actuator	Effikal RVGP Johnson M35BE-1C 510-512-337 510-312-255
14	Vent damper harness	591-391-795



12c Replacement parts – base

Figure 32 Base assembly, manifold, orifices and burners

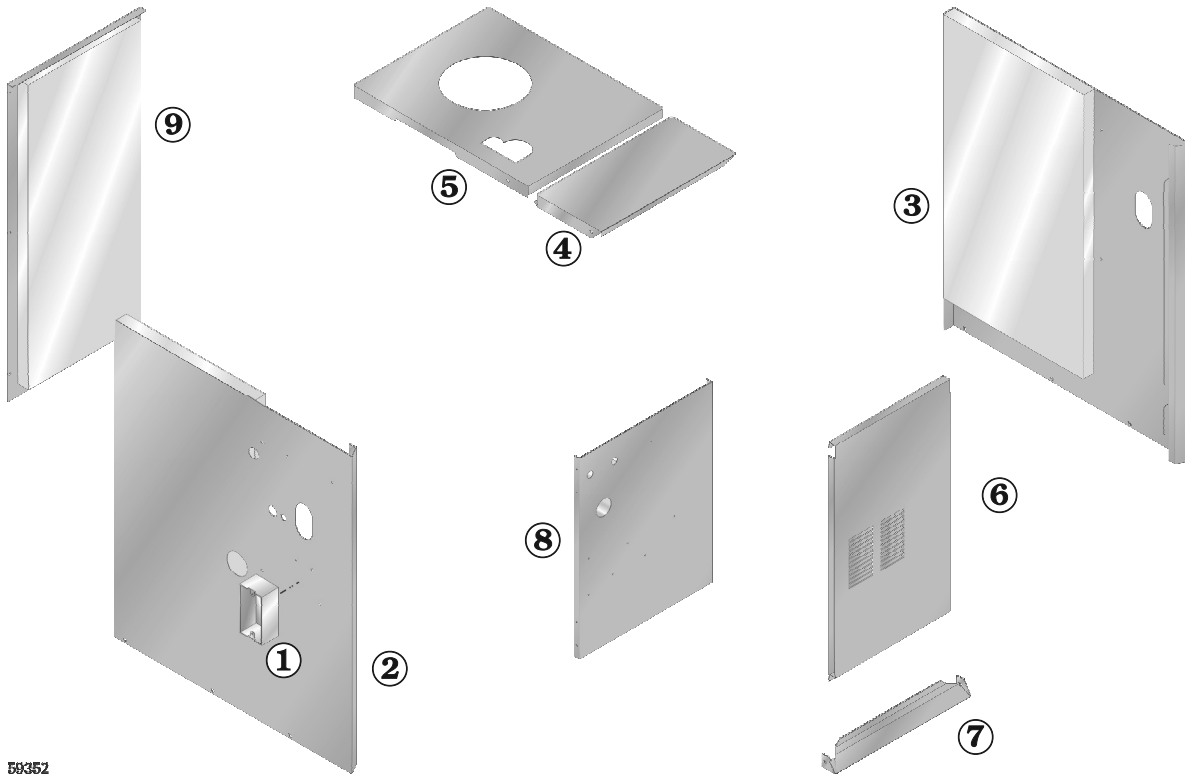


Item number	Description	Weil-McLain part number	
	Base assembly kit (includes base panels items 1, 2, 3, 4, 5, 6, and 7, plus insulation, air box gaskets, and hardware)	CGa-25 CGa-3 CGa-4 CGa-5 CGa-6 CGa-7 CGa-8	381-354-355 381-354-356 381-354-357 381-354-358 381-354-359 381-354-360 381-354-361
1	Base side panel (in Base assembly)		
2	Base front cross-tie assembly (in Base assembly)		
3	Base back cross-tie assembly (in Base assembly)		
4	Access panel (in Base assembly)		
5	Base pan angle, left side (in Base assembly)		
6	Base pan angle, right side (in Base assembly)		
7	Base pan (in Base assembly)		
8	Burner rest	CGa-25 CGa-3 CGa-4 CGa-5 CGa-6 CGa-7 CGa-8	450-003-742 450-003-736 450-003-737 450-003-738 450-003-739 450-003-740 450-003-741
9	Base insulation kit (includes insulation for all base parts above plus gasket material needed between block assembly and base)	CGa-25 CGa-3 CGa-4 CGa-5 CGa-6 CGa-7 CGa-8	381-354-518 381-354-518 381-354-518 381-354-518 381-354-519 381-354-519 381-354-519
10	Boiler leg kit		590-424-253
11	Manifold	CGa-25 CGa-3 CGa-4 CGa-5 CGa-6 CGa-7 CGa-8	591-126-615 591-126-616 591-126-617 591-126-618 591-126-619 591-126-556 591-126-557
12	Main burner orifice – Natural gas, sea level Main burner orifice – Propane gas, sea level		560-528-997 560-528-998
13	Burner, stainless steel		512-200-077
14	Burner with pilot bracket (not shown)	Standing pilot	512-200-079
		Spark-ignited pilot	512-200-078
15	Screw, 10-32 x 1/8 STP type D hx, washer head slot ZP		available at local supply house
16	Rollout thermal fuse element		512-050-230



12d Replacement parts – jacket

Figure 33 Jacket assembly



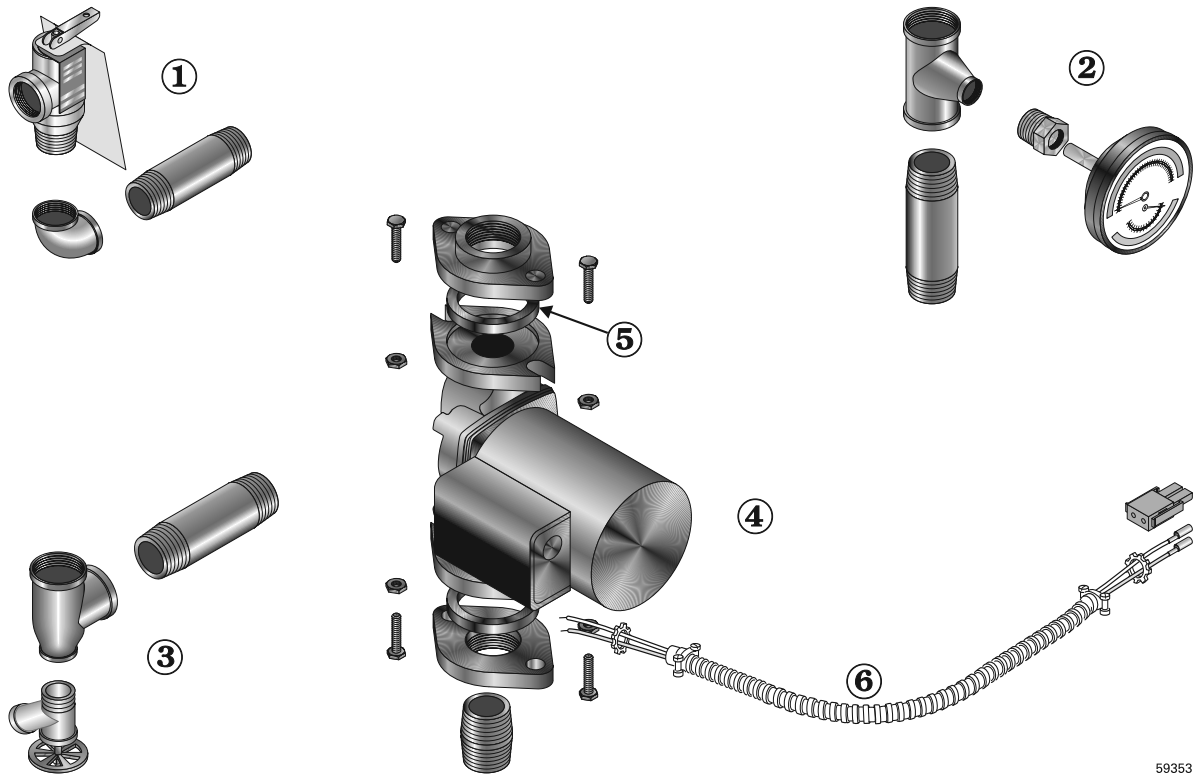
59352

Boiler Model	1	2			3	4	Boiler Model
	Junction box, 2 x 4	Jacket panel, left side, with insulation			Jacket panel, right side, with insulation	Jacket panel, top front	
		Natural Gas Standing Pilot	Propane Gas Standing Pilot	Natural Gas Spark Pilot			
Weil-McLain part number							
CGa-25	(Available at local supply house)	381-355-400	381-355-445	381-355-466	381-355-699	381-355-403	CGa-25
CGa-3		381-355-407	381-355-448	381-355-470	381-355-699	381-355-403	CGa-3
CGa-4		381-355-410	381-355-451	381-355-473	381-355-699	381-355-413	CGa-4
CGa-5		381-355-417	381-355-454	381-355-477	431-223-311	381-355-420	CGa-5
CGa-6		381-355-424	381-355-457	381-355-481	431-223-311	381-355-427	CGa-6
CGa-7		381-355-431	381-355-460	381-355-485	431-223-311	381-355-434	CGa-7
CGa-8		381-355-438	381-355-463	381-355-489	431-223-311	381-355-441	CGa-8
Boiler Model	5	6	7	8	9	10	Boiler Model
	Jacket panel, top rear	Jacket panel, door	Jacket cross tie, bottom front	Jacket panel, interior	Jacket panel, rear	Not shown – gold touch-up paint	
	Weil-McLain part number						
CGa-25/3	381-355-404	381-355-406	431-223-325	381-355-405	431-223-300	592-000-000	CGa-25/3
CGa-4	381-355-414	381-355-416	431-223-326	381-355-415	431-223-301		CGa-4
CGa-5	381-355-421	381-355-423	431-223-327	381-355-422	431-223-302		CGa-5
CGa-6	381-355-428	381-355-430	431-223-328	381-355-429	431-223-303		CGa-6
CGa-7	381-355-435	381-355-437	431-223-329	381-355-436	431-223-304		CGa-7
CGa-8	381-355-442	381-355-444	431-223-330	381-355-443	431-223-305		CGa-8



12e Replacement parts — trim

Figure 34 Trim assembly



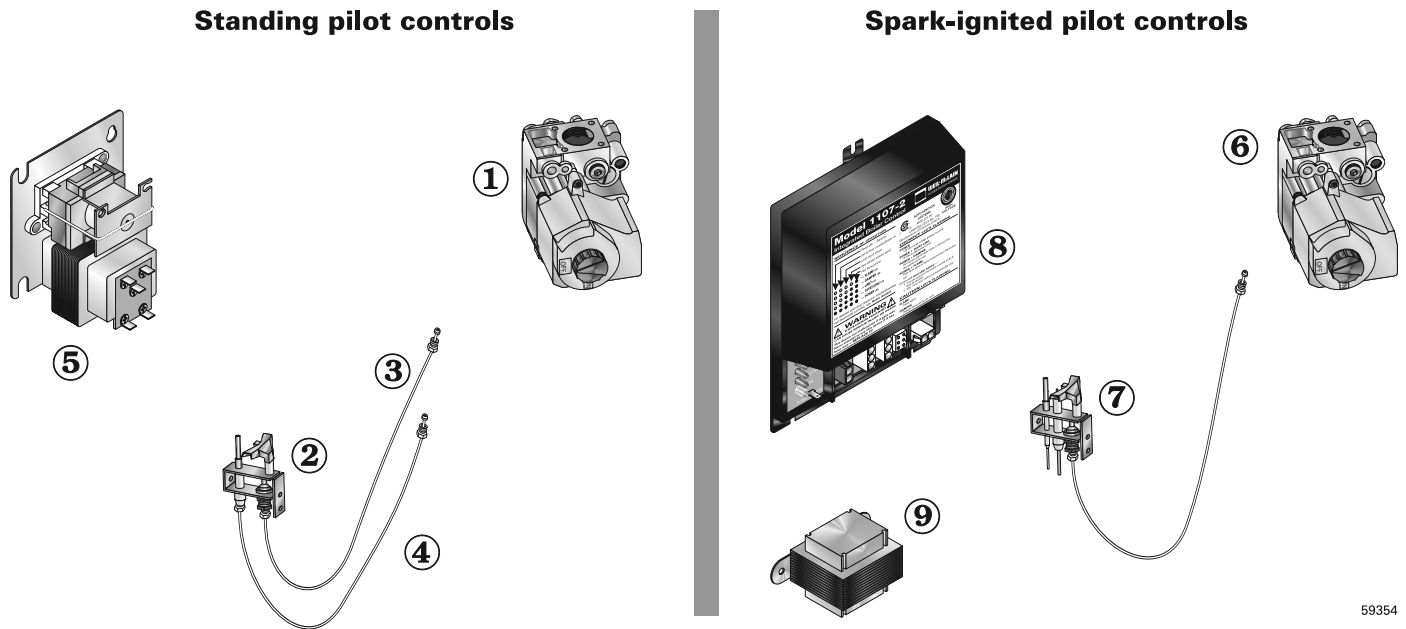
59353

Item number	Description	Manufacturer	Manufacturer's part number	Weil-McLain part number
1	Pressure relief valve, ASME, 30 PSIG, 3/4" male inlet Pressure relief valve, ASME, 30 PSIG, 3/4" female inlet <i>(Fittings shown are factory-installed on boiler.)</i>	Conbraco Watts Conbraco Watts	10-407-10 M330 10-408-05 335	511-546-920 511-546-924
2	Combination pressure-temperature gauge, 3 1/8" diameter, short shank <i>(Fittings shown are shipped loose with boiler.)</i>	Weil-McLain		380-000-000
3	Drain valve, 3/4" <i>(Fittings shown are included with boiler.)</i>	Conbraco Hammond Valve Matco-Norca Watts	31-606-01 710 205F04 BD-2C	511-210-423
4	Circulator <i>(Fittings shown are shipped loose with boiler.)</i>	Bell & Gossett Taco	NRF-22-103253 007	511-405-118 511-405-113
5	Circulator gasket, universal (2 per boiler)	Weil-McLain		590-317-535
not shown	Circulator hardware kit, includes: 1 flange, 2 nuts, 2 screws, 1 gasket: 3/4" NPT — CGa-25- - - - - 1" NPT — CGa-3 through CGa-5 - - - - - 1 1/4" NPT — CGa-6 through CGa-7 - - - - - 1 1/2" NPT — CGa-8- - - - -	Weil-McLain		381-354-530 381-354-525 381-354-526 381-354-531
6	Circulator wiring harness, standing pilot ignition Circulator wiring harness, spark-ignited pilot (with Molex)	Weil-McLain		591-319-793 381-354-528
not shown	Mate-N-Lock connector (red), spark-ignited pilot only	Amp	1-480698-2	563-210-632



12f Replacement parts – controls

Figure 35 Gas control assembly



59354

Item number	Description	Manufacturer	Manufacturer's part number	Weil-McLain part number
Standing pilot – Natural gas components				
1	Gas valve, 1/2" x 1/2", CGa-25 through CGa-6	Honeywell	VR8200A2116	511-044-360
	Gas valve, 3/4" x 3/4", CGa-7 and CGa-8	Robertshaw Honeywell	7200ER VR8300C4050	511-044-256
2	Pilot assembly kit with orifice	Weil-McLain		510-811-644
3	Tubing, pilot, aluminum			560-742-860
4	Tubing, thermocouple			511-724-254
Propane gas components				
1	Gas valve, 1/2" x 1/2", CGa-25 through CGa-6	Honeywell	VR8200C1074	511-044-258
	Gas valve, 3/4" x 3/4", CGa-7 and CGa-8	Honeywell	VR83004068	511-044-257
2	Pilot assembly kit with orifice	Weil-McLain		510-811-646
3	Tubing, pilot, aluminum			550-742-860
4	Tubing, thermocouple			511-724-253
Natural gas and propane gas components				
5	Transformer relay			510-312-167
not shown	Wiring harness			591-391-862
Spark ignition				
6	Gas valve, 1/2" x 1/2", CGa-25 through CGa-6	Honeywell White-Rodgers	VR8204A2001 36E36-266	511-044-381
	Gas valve, 3/4" x 3/4", CGa-7 and CGa-8	Robertshaw Honeywell White-Rodgers	7200 IPER VR8304P4348 36C74-474	511-044-382
7	Pilot assembly kit with orifice and aluminum pilot gas tubing	Weil-McLain		511-330-218
8	Control module	United Technologies	1107-2	511-330-079
9	Control transformer			511-842-370
not shown	Wiring harness, controls to control module			591-391-905
Pilot gas pressure regulator – Natural gas and propane gas, CGa-25 and CGa-3				
not shown	Pilot gas pressure regulator 4.0" w.c. outlet	Maxitrol SLP	RV-12 SL-50N	510-933-126
not shown	Tubing, from gas valve to regulator	Weil-McLain		560-742-859
not shown	Adapter, male 1/8" x 7/16" – 24, from regulator to pilot gas line	Weil-McLain		562-302-017