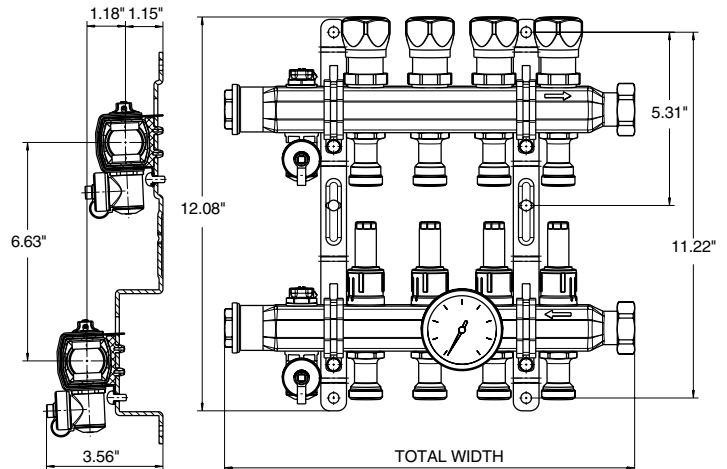


## Viega Stainless Manifold Shut Off / Balancing / Flow Meters

### Product Description

Stainless manifold is to be used in closed loop hydronic heating, cooling and snow melting systems. These preassembled 1-1/4" diameter stainless supply and return manifolds come attached to two 6-5/8" spacing brackets for compact remote mounting. This stainless manifold provides shut off and balancing valves with flow meters for each circuit. Each flow meter/balancing valve allows graduated flow setting up to 2 gpm, maximum 18 gpm per manifold. The air bleeder and purge valves are connected and factory tested. 1-1/4" Union connections, 1" NPT removable end caps. SVC Circuit connection fittings are sold separately.

| Dimensions                        |                     |   |   |
|-----------------------------------|---------------------|---|---|
| Height                            | 12.1"               |   |   |
| Depth                             | 3.6"                |   |   |
| Depth with ball valve set handles | 4.85"               |   |   |
| Manifold                          | Width Just Manifold | Width With Ball Valve Set and Adapter Fitting | Width With Ball Valve Set and Fittings For Flow Through |
| 2 outlets                         | 10.2                | 12.96"  | 16.95"  |
| 3 outlets                         | 10.2"               | 12.96"  | 16.95"  |
| 4 outlets                         | 12.2"               | 16.95"  | 18.95"  |
| 5 outlets                         | 14.1"               | 18.85"  | 20.85"  |
| 6 outlets                         | 16.1"               | 20.85"  | 22.85"  |
| 7 outlets                         | 18.1"               | 22.85"  | 24.85"  |
| 8 outlets                         | 20.0"               | 24.75"  | 26.75"  |
| 9 outlets                         | 22.0"               | 26.75"  | 28.75"  |
| 10 outlets                        | 24.0"               | 28.75"  | 30.75"  |
| 11 outlets                        | 25.9"               | 30.65"  | 32.65"  |
| 12 outlets                        | 27.9"               | 32.65"  | 34.65"  |




\* When extending the manifold, Viega requires using thread sealant paste on the 1" NPT manifold end connection.

### Technical Data

- 1-1/4" 304 Stainless Header Stock
- Factory installed air bleeder
- Mounting brackets
- Max. operating temperature: 180°F  
Short periods of 200°F
- Max. operating pressure: 100 psi
- Return Valve  $C_v = 2.98$
- Supply Valve  $C_v = 1.30$

The return header is fitted with shut off valves which are suitable to receive optional 24V powerheads for control over each circuit via thermostat.

Note: Use new style white cap powerheads with this manifold (stock code 15061 2 wire power head) (stock code 15064 4 wire power head)



**Viega... The global leader in plumbing, heating and pipe joining systems**

301 N. Main, 9th Floor • Wichita, KS 67202 • Ph: 800-976-9819 • Fax: 316-425-7618 • www.viega.com

©2011, ProPress®, FostaPEX®, Seapress®, MegaPress®, MegaPressG® and Viega® are registered trademarks of Viega GmbH & Co. PureFlow®, Smart Connect®, Climate Panel®, Climate Mat®, Climate Trak®, MANABLOC®, Radiant Wizard®, S-no-Ice®, Snap Panel®, XL® and XL-C® are registered trademarks of Viega LLC. MiniBloc®, ProRadiant®, PolyAlloy®, SmartLoop®, GeoFusion®, and Zero Lead® are trademarks of Viega LLC; GeoFusion™, ProPressG™ and ViegaPEX™ are trademarks of Viega GmbH & Co. KG.

TD-PR-15900 0212 (Stainless Manifold Shut Off - Balancing - Flow Meters)