

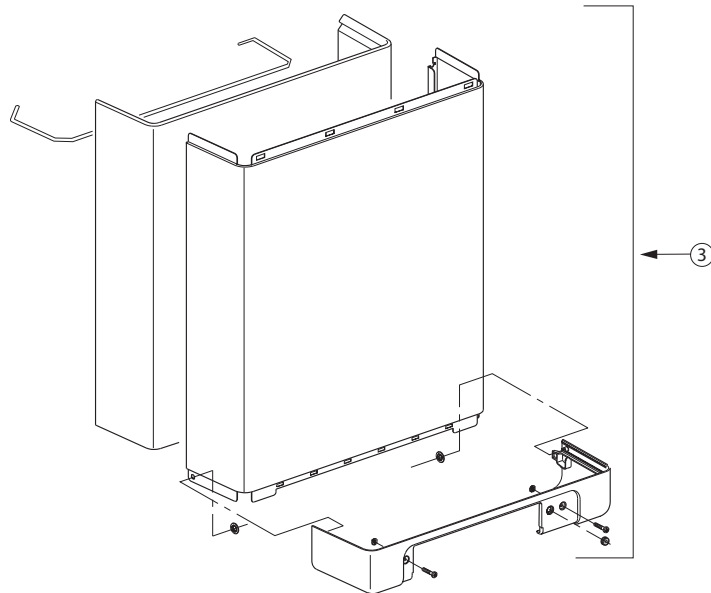
- | | | |
|------------------------|---|-----------------------------------|
| B. Gas valve | H. LWCO/CH pressure sensor | O. Condensate pan |
| C. Control/Display | J. Pressure relief and air vent assembly | P. DHW sensor S3 |
| D. CH supply sensor S1 | K. Sight glass | Q. Condensate drain trap assembly |
| E. CH Return sensor S2 | M. Vent/Air adapter (80/125 concentric optional shown or 3" standard not shown) | R. Heat exchanger |
| F. Blower | N. Low voltage/terminal strip X4 | S. Ignition electrode |
| G. DHW flow switch | T. High voltage terminal strip | |

CHALLENGER Internal Components

⚠ WARNING

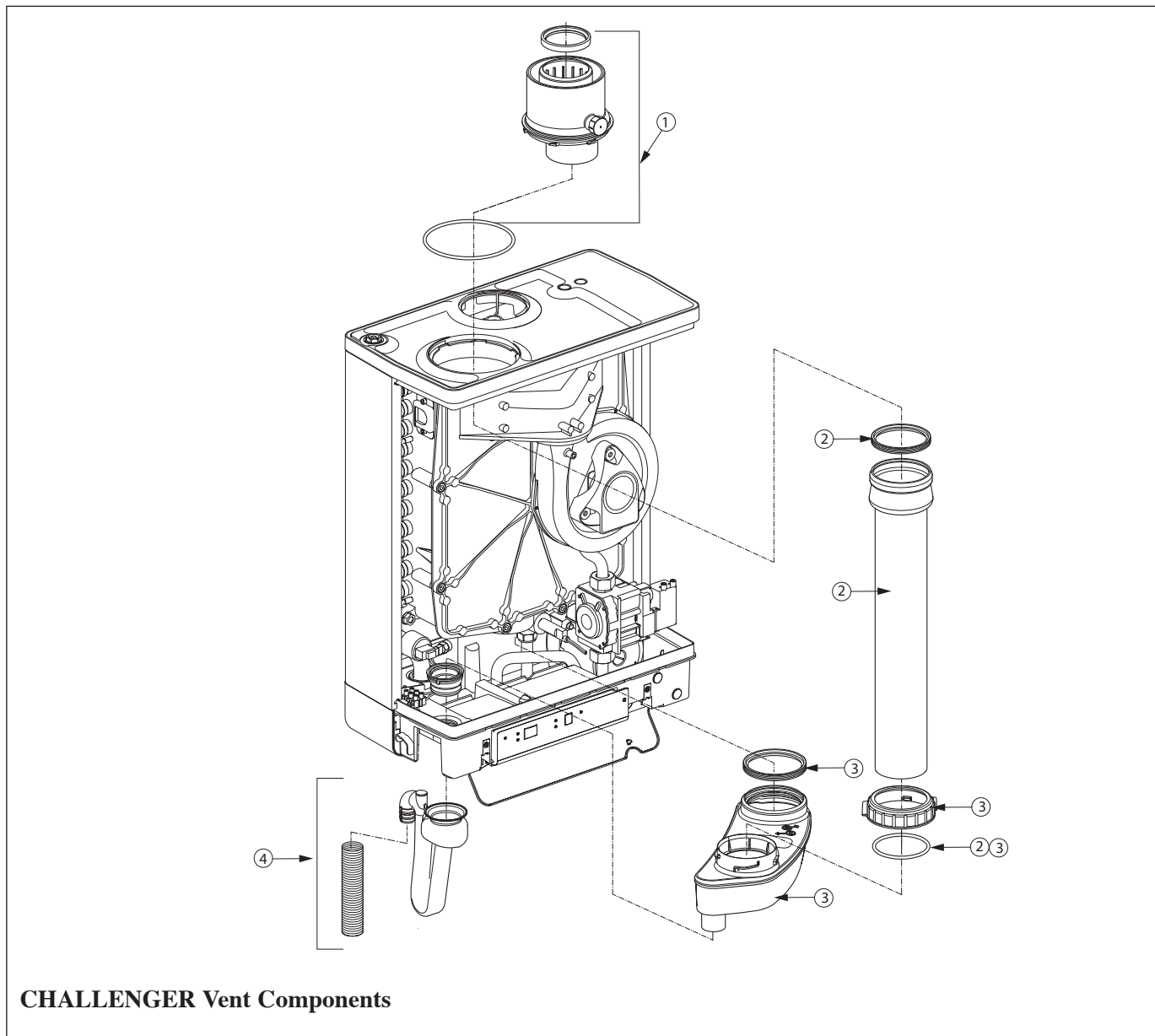
Replacement parts must be purchased through a local Triangle Tube distributor. When ordering part please provide the model number and description and/or part number of replacement part. Use only genuine

Triangle Tube replacement parts to ensure warranty coverage and to avoid damage to appliance and improper operation of appliance. Contact Triangle Tube at 856-228-8881 or www.triangletube.com for list of distributors nearest you.



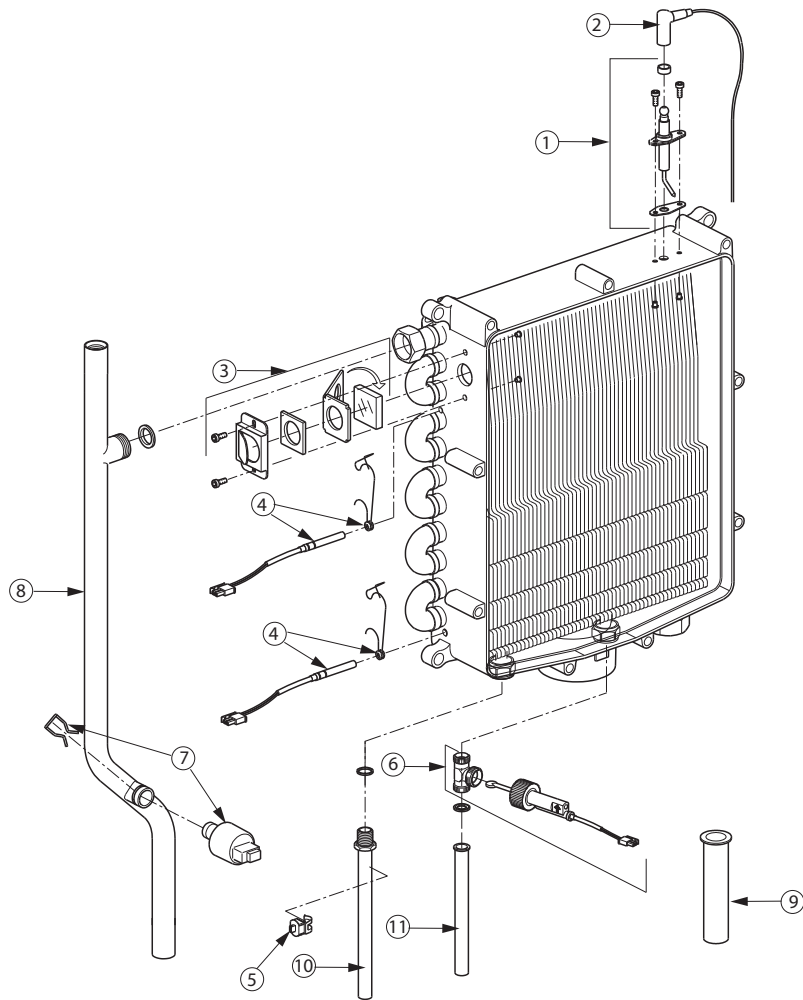
CHALLENGER Front Door

Item	Part Number CC85	Part Number CC105	Part Number CC125	Description
1		CCRKIT04		Wall Bracket Assembly (Not Shown)
2		CCRKIT05		Pipe Connectors & Brackets Assembly (Not Shown)
2A		CCFTG01		Connector Pipe CH (Not Shown) - 1/Kit
2B		CCFTG02		Connector Pipe DHW (Not Shown) - 1/Kit
3	CCRKIT06	CCRKIT07	CCRKIT08	Front Door Assembly



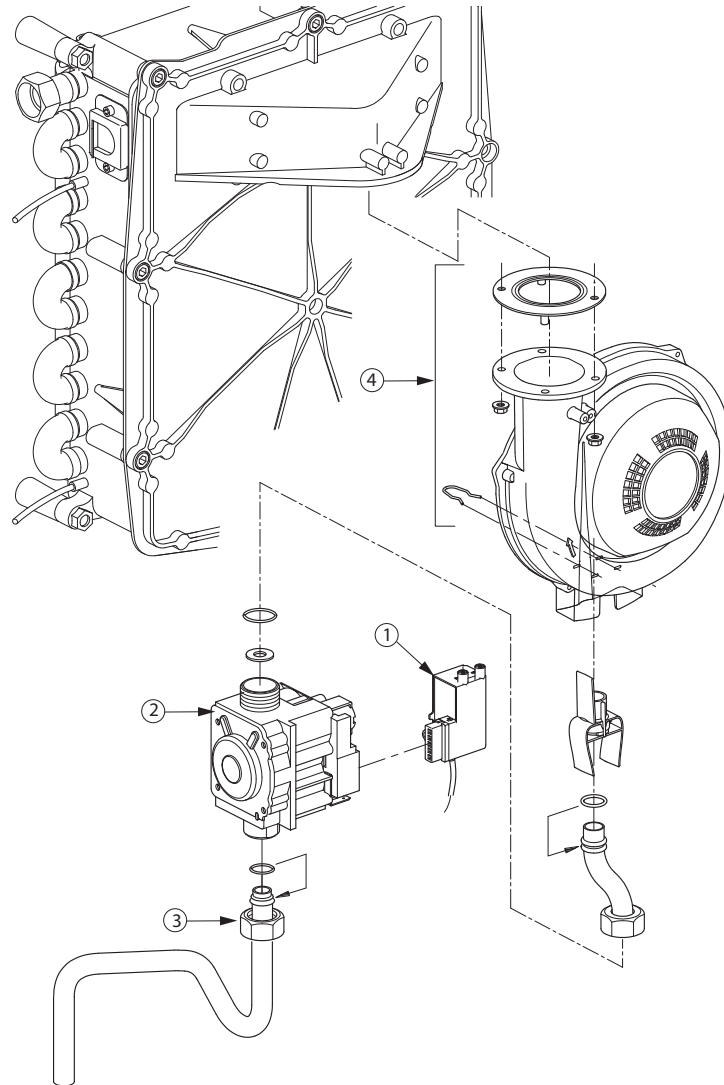
CHALLENGER Vent Components

Item	Part Number CC85	Part Number CC105	Part Number CC125	Description
1	CCRKIT09			80/125 Concentric Vent /Air Adapter Assembly (optional - shown)
	CCRKIT35			3" Vent/Air Adaptor Assembly (standard - not shown)
2	CCRKIT10	CCRKIT11	CCRKIT12	Vent Assembly
3	CCRKIT13			Condensate Collector Assembly
4	CCRKIT14			Condensate Drain Trap Assembly



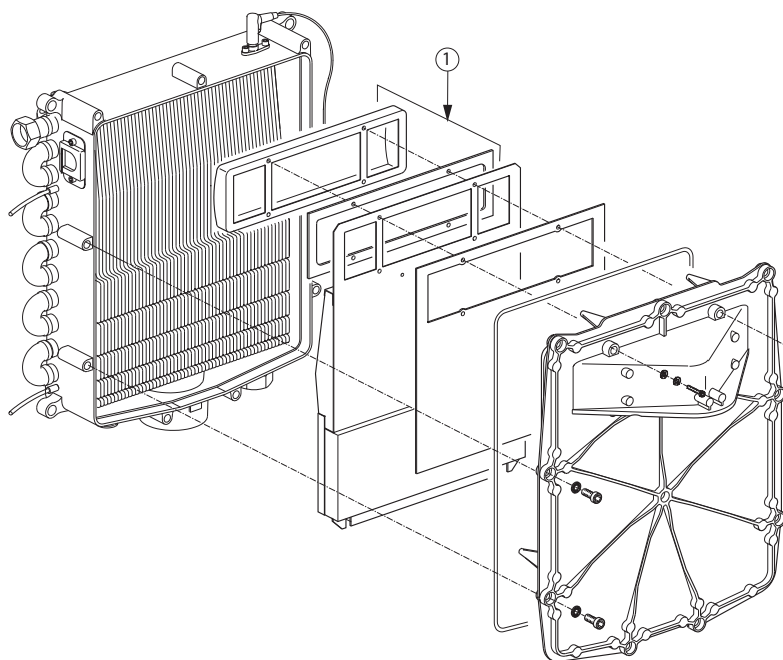
CHALLENGER Internal Components

Item	Part Number CC85	Part Number CC105	Part Number CC125	Description
1		CCRKIT15		Igniter Assembly
2		CCCLB01		Ignition Cable
3		CCRKIT16		Sight Glass Assembly
4		CCRKIT17		CH Sensor Assembly - 1/Kit
5		CCSENS02		DHW Sensor
6		CCRKIT18		DHW Flow Switch Assembly
7		CCRKIT19		LWCO/CH Pressure Sensor Assembly
8	CCRKIT20	CCRKIT21	CCRKIT22	CH Supply pipe Assembly
9		CCRKIT23		CH Return Pipe Assembly
10		CCRKIT26		DHW Supply Pipe Assembly
11		CCRKIT27		DHW Return Pipe Assembly



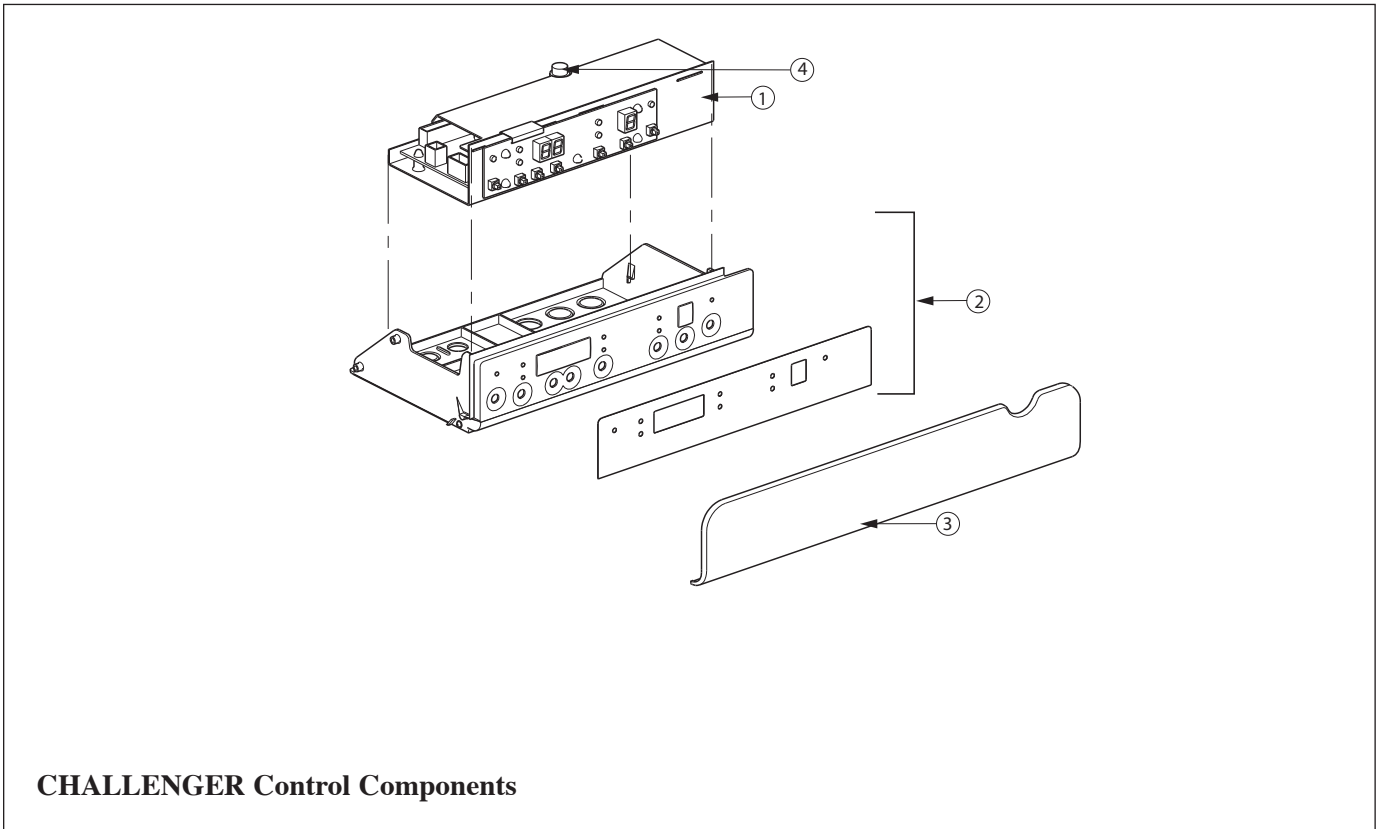
CHALLENGER Blower & Gas Valve Components

Item	Part Number CC85	Part Number CC105	Part Number CC125	Description
1		CCRKIT28		Ignition Transformer Assembly
2		CCRKIT29		Gas Valve Assembly
3	CCRKIT30	CCRKIT31		Gas Pipe Assembly
4		CCRKIT32		Blower Assembly



CHALLENGER Burner Components

Item	Part Number CC85	Part Number CC105	Part Number CC125	Description
1	CCRKIT33			Burner Assembly



Item	Part Number CC85	Part Number CC105	Part Number CC125	Description
1		CCCON01		Control/Display
2		CCCS01		Housing Plastic Control
3		CCRKIT34		Flip Panel
4		CCFUSE01		Fuse - 1/Kit