

**OPERATION AND INSTALLATION
UTILISATION ET INSTALLATION
OPERACIÓN E INSTALACIÓN**

FAN HEATER | CONVECTEURS SOUFFLANTS | CALENTADOR CON VENTILADOR

- » CK 15 E
- » CK 20 E
- » CKT 15 E
- » CKT 20 E

STIEBEL ELTRON

OPERATION

1. General information _____ **2**

1.1 Safety information _____ 2

1.2 Other symbols in this document _____ 3

2. Safety _____ **3**

2.1 Intended use _____ 3

2.2 General safety information _____ 3

2.3 General information _____ 4

2.4 Test symbols _____ 4

2.5 Licences / certificates _____ 4

3. Appliance description _____ **4**

3.1 Control with external room temperature controller _____ 4

4. Operation CK 15 E / CK 20 E _____ **4**

4.1 Starting heating _____ 4

4.2 Stopping heating / frost protection _____ 4

5. Operation CKT 15 E / CKT 20 E _____ **5**

5.1 Starting heating _____ 5

5.2 Adjusting the time switch _____ 5

5.3 Stopping heating / frost protection _____ 5

6. Cleaning, care and maintenance _____ **5**

7. Storage _____ **5**

8. Troubleshooting _____ **5**

INSTALLATION

9. Safety _____ **6**

9.1 General safety information _____ 6

9.2 Instructions, standards and regulations _____ 6

10. Appliance description _____ **6**

10.1 Standard delivery _____ 6

11. Installation _____ **6**

12. Electrical connection _____ **6**

13. Appliance handover _____ **6**

14. Specification _____ **7**

14.1 Dimensions _____ 7

14.2 Specification table _____ 7

14.3 Wiring diagram CK 15 E / CK 20 E _____ 8

14.4 Wiring diagram CKT 15 E / CKT 20 E _____ 8

CUSTOMER SERVICE AND WARRANTY

ENVIRONMENT AND RECYCLING

OPERATION

1. General information



Note

Read these instructions carefully before using the appliance and familiarize yourself with its functions. Keep these instructions safe. Pass on the instructions to a new user if required.

1.1 Safety information

1.1.1 Structure of safety information



KEYWORD Type of risk

Here, possible consequences are listed that may result from not observing the safety information.

► Steps to prevent the risk are listed.

1.1.2 Symbols, type of risk

Symbol	Type of risk
	Injury
	Electrocution
	Burns or scalding
	Fire

1.1.3 Keywords

KEYWORD	Description
DANGER	If this information is not observed, it will result in serious injury or death.
WARNING	If this information is not observed, it can result in serious injury or death.
CAUTION	If this information is not observed, it can lead to medium or minor injury.

1.2 Other symbols in this document



Note

Notes are bordered by horizontal lines above and below the text. General information is identified by the symbol shown on the left.

► Read these notes carefully.

Symbol	
	Damage to the appliance and environment
	Appliance disposal
	Never cover the appliance

► This symbol indicates that you have to do something. The action you need to take is described step by step.

2. Safety

Observe the following safety information and regulations.

Operate the appliance only when fully installed and with all safety equipment fitted.

2.1 Intended use

This appliance is designed to heat living areas.

Any other use beyond that described shall be deemed inappropriate.

2.2 General safety information



DANGER Fire

Never operate this appliance ...

- if the minimum clearances to adjacent object surfaces are not maintained, for example to furniture, net curtains, curtains, textiles or other flammable materials (for minimum clearances, see specification/dimensions chapter).
- in rooms where the appliance is at risk from fire or explosion as a result of chemicals, dust, gases or vapors.
- in the direct proximity of pipes or containers that carry or contain flammable or explosive materials.
- if work such as laying cables, grinding or sealing is carried out in the installation room.
- if sprays, floor polish or similar products containing gasoline are used. Vent the room sufficiently before heating.
- if an appliance component is damaged, the appliance has fallen over or already had a fault.
- outdoors.



DANGER Fire

Never place any flammable, combustible or insulating objects or materials, such as laundry, blankets, magazines, containers with floor polish or gasoline, spray cans or similar on the appliance or in direct proximity to it.



WARNING Fire

Ensure that no foreign bodies enter the ventilation air and extract air apertures. This could result in electric shock or fire or in damage to the appliance.



WARNING Fire

To prevent fires ensure that the air inlets and outlets are never blocked. Never position the appliance on soft surfaces, such as a bed, as this could result in the apertures becoming blocked.



DANGER Overheating

The appliance could continue to heat the room unchecked if it is operated on a time switch. Ensure constant supervision if the appliance is used in a small room and the persons within that room cannot leave the room on their own.



WARNING Injury

Where children or persons with limited physical, sensory or mental capabilities are to be allowed to control this appliance, ensure that this will only happen under supervision or after appropriate instructions by a person responsible for their safety.

Children should be supervised to ensure that they never play with the appliance.



CAUTION Burns

The casing surfaces of the appliance and the expelled air become hot during use (above 90 °C (194 °F)). To prevent burns ensure that the hot surfaces never come into contact with bare skin.

2.3 General information



Damage to the appliance and the environment

- Never cover this appliance.
- Never step on the appliance.

2.4 Test symbols

See type plate on the appliance.

2.5 Licences / certificates

- ETL (USA)
- C-ETL (Canada)

3. Appliance description

This appliance is wall mounted and is particularly suitable for work rooms, kitchens, bathrooms, wash rooms and similar.

The external casing of the appliance is made from stove enameled sheet steel. The sides are made out of plastic. The controls are located on the right side panel.

The quiet fan draws in the ambient air that is heated by a bare wire heater element. The air then exits evenly through the hot air channel and the air outlet grille set into the bottom of the appliance.

The appliance heats up the ambient air inside the room and maintains it at the selected temperature.

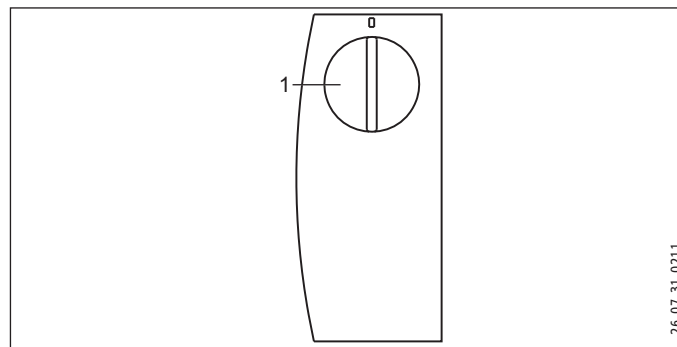
3.1 Control with external room temperature controller

(Only applicable for: CK)

In rooms larger than 20 m² (215 sqft) you can operate the appliance with a conventional wall mounted room thermostat.

- ▶ To do so, turn the temperature selector fully clockwise.
- ▶ Control the temperature by using the wall thermostat.

4. Operation CK 15 E / CK 20 E



1 Temperature selector

4.1 Starting heating

The temperature is infinitely adjustable. The appliance stops heating as soon as the selected room temperature has been reached.

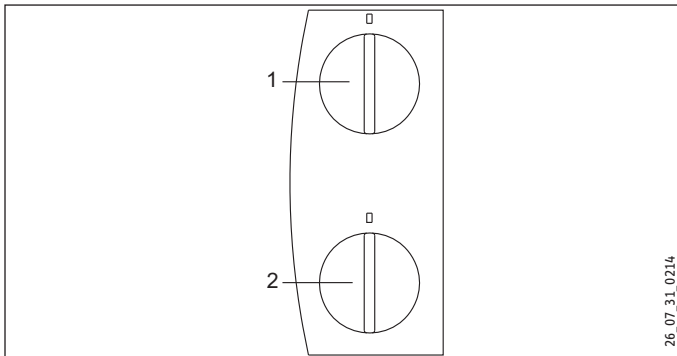
- ▶ Turn the temperature selector clockwise to the required setting.

4.2 Stopping heating / frost protection

- ▶ Turn the temperature selector fully counter clockwise.

This position ensures frost protection. The heater starts automatically if the room temperature drops below the frost protection temperature.

5. Operation CKT 15 E / CKT 20 E



- 1 Temperature selector
- 2 Timer

5.1 Starting heating

The temperature is infinitely adjustable. The appliance stops heating as soon as the selected room temperature has been reached.

- ▶ Turn the temperature selector clockwise to the required setting.

5.2 Adjusting the time switch

With the time switch, the appliance heats with full output and without temperature control.

- ▶ Turn the Timer clockwise to set any number of minutes to count down from 0 - 60 minutes.

5.3 Stopping heating / frost protection

This position ensures frost protection. The heater starts automatically if the room temperature drops below the frost protection temperature.

- ▶ Turn the temperature selector fully counter clockwise and ensure that the time switch is set to "0".

6. Cleaning, care and maintenance

The appliance contains no user serviceable parts.

Clean the appliance when cold with ordinary cleaning products. Avoid abrasive or corrosive cleaning products.

If a pale brownish discoloration appears on the appliance casing, wipe this off as soon as possible with a damp cloth.



Damage to the appliance and the environment
Never spray cleaning spray into the air slot.

7. Storage

- ▶ When not in use, keep the appliance in a dry place.

8. Troubleshooting

If the appliance does not heat, check the temperature set at the appliance and the circuit breaker.

The appliance has a safety high limit that shuts the appliance down if it overheats. After the cause has been removed (for example air outlet or inlet apertures covered) and the appliance has cooled down for a few minutes, operation starts again.

If you cannot remedy the fault, notify the contractor who installed the appliance. To facilitate and speed up your enquiry, please provide the serial number from the type plate (000000-0000-000000).

INSTALLATION

9. Safety

Only licensed electricians should carry out the maintenance and repair of this appliance.

9.1 General safety information

We guarantee trouble-free operation and operational reliability only if the original accessories and spare parts intended for the appliance are used.

9.2 Instructions, standards and regulations



Note

Observe all applicable national and local regulations and instructions.

10. Appliance description

This appliance is a wall mounted electric heater. It is particularly suitable for heating rooms, such as work rooms, kitchens, bathrooms, wash rooms etc.

10.1 Standard delivery

- Wall mount bracket
- Bottom bracket

11. Installation



DANGER Electrocutation

- If installing the appliance in rooms with a bath and/or shower, take the relevant safety zone into account in accordance with the information on the appliance type plate.
- Install the appliance in such a way that switching and control equipment cannot be touched by a person in the bath or shower.



DANGER Fire

- Only fit the appliance to a vertical wall that is heat-resistant to at least 194 °F (90 °C).
- Maintain minimum clearances to adjacent surfaces.
- Never install the appliance directly below a wall socket.

- ▶ Check the hole distances for the wall mounting bracket in the dimensioned drawing.

- ▶ Secure the wall mounting bracket with suitable fasteners. The horizontal and vertical slots in the wall mounting bracket enable alignment if drilled holes are not completely accurate.
- ▶ Hook in the appliance so that both top protrusions are inserted into the slots in the wall mounting bracket.
- ▶ Secure the appliance with the bottom bracket and one screw against unintentional unhooking. To do so, hook the bottom bracket from the back into the rear panel.

12. Electrical connection



DANGER Electrocutation

Carry out all electrical connection and installation work in accordance with relevant regulations.



Damage to the appliance and the environment

- Observe the type plate. The specified voltage must match the mains voltage.

Never install the appliance directly below an outlet.

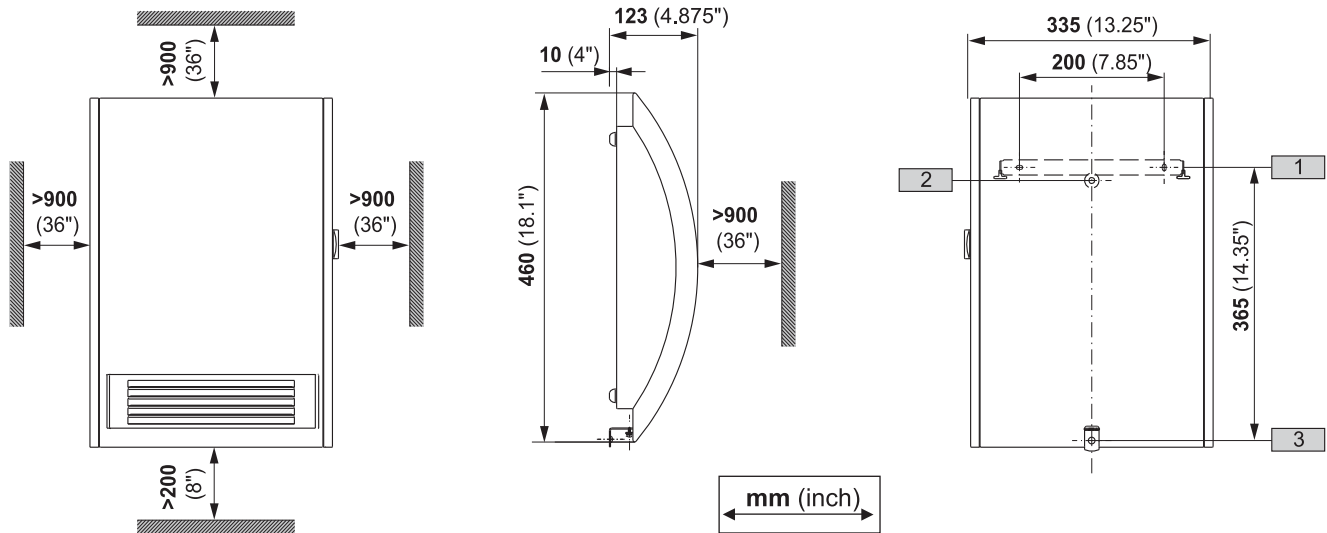
In case of ROMEX wire, install 1/2" ROMEX connector in knockout. In case of Greenfield, please use 1/2" Greenfield connector.

13. Appliance handover

Explain the functions of the appliance to the user. Draw special attention to the safety information. Hand the operating and installation instructions to the user.

14. Specification

14.1 Dimensions



80_07_31_0012

- 1 Wall mounting bracket
- 2 Cable entry
- 3 Bottom bracket

14.2 Specification table

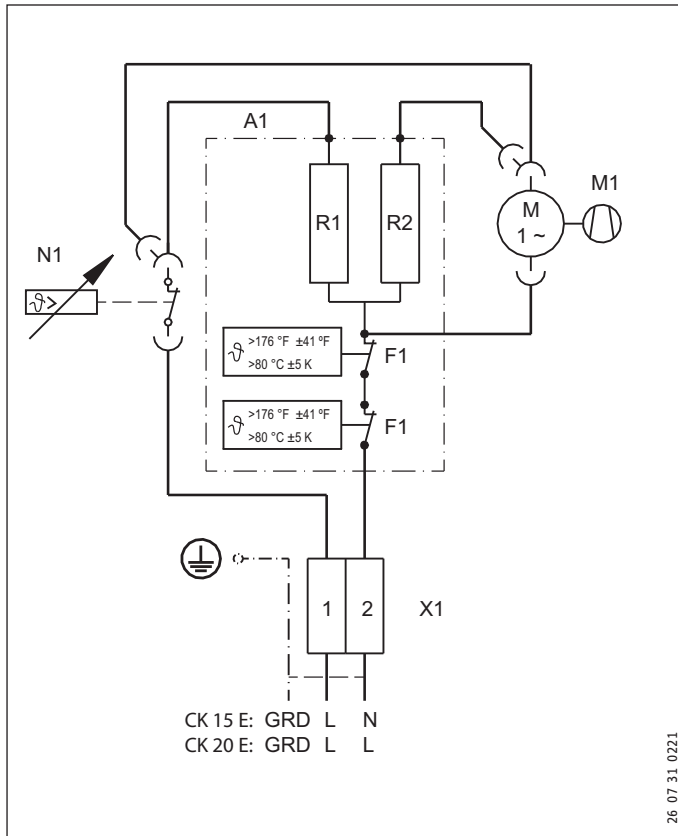
		CK 15 E	CK 20 E	CKT 15 E	CKT 20 E
Part number		074058	074057	230345	230346
Wattage	W	1500	1500 / 2000	1500	1500 / 2000
Temperature range	°F / °C	41-86 / 5-30	41-86 / 5-30	41-86 / 5-30	41-86 / 5-30
Frost protection setting	°F / °C	44.6 / 7	44.6 / 7	44.6 / 7	44.6 / 7
Power supply		singlephase ~ 120 V	singlephase ~ 208/240 V	singlephase ~ 120 V	singlephase ~ 208/240 V
Operating noise	dB(A)	53	53	53	53
Height	inch / mm	18.1" / 460	18.1" / 460	18.1" / 460	18.1" / 460
Width	inch / mm	13.2" / 335	13.2" / 335	13.2" / 335	13.2" / 335
Depth	inch / mm	4.875" / 123	4.875" / 123	4.875" / 123	4.875" / 123
Weight	lb / kg	8.0 / 4.4	8.0 / 4.4	8.0 / 4.4	8.0 / 4.4
IP rating		IP13B	IP13B	IP13B	IP13B
Safety category		I	I	I	I
Color		Alpine white	Alpine white	Alpine white	Alpine white



PBTP/ASA Polybutylenterephthalat/Acrylnitril-Styrol-Acrylester
 PA Polyamid
 PC Polycarbonat
 PE Polyethylen
 PS Polystyrol
 Si Silicon

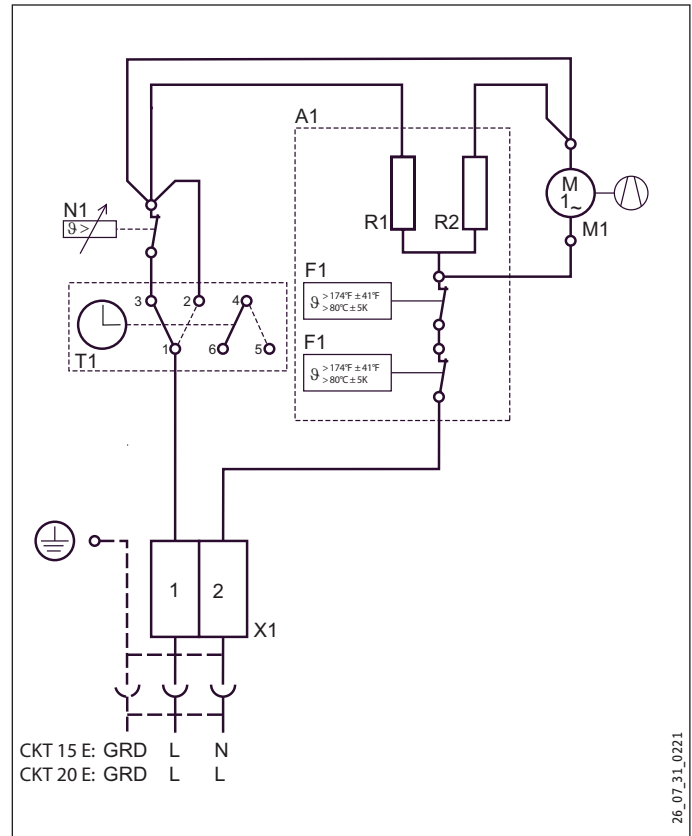
INSTALLATION SPECIFICATION

14.3 Wiring diagram CK 15 E / CK 20 E



- A1 Electric heating element assembly
- F1 Temperature high Limit
- M1 Fan
- N1 Thermostat
- R1 Heating resistor
- R2 Heating resistor
- X1 Wiring Block

14.4 Wiring diagram CKT 15 E / CKT 20 E



- A1 Electric heating element assembly
- F1 Temperature high Limit
- M1 Fan
- N1 Thermostat
- R1 Heating resistor
- R2 Heating resistor
- T1 60 minute timer
- X1 Wiring Block

Limited Warranty

Residential & Commercial warranty: Stiebel Eltron warrants to the original owner that the CK 15 E / CK 20 E / CKT 15 E / CKT 20 E will be free from defects in workmanship and materials for a period of THREE YEARS from the date of purchase. Should the part(s) prove to be defective under normal use during this period, Stiebel Eltron, Inc. will be responsible for replacement of the defective part(s) only. Stiebel Eltron, Inc. is not responsible for labor charges to remove and/or replace the defective part(s), or any incidental or consequential expenses. Should the owner wish to return the wall heater for repair, the owner must first secure written authorization from Stiebel Eltron, Inc. The owner shall be required to show proof of purchase date, and to pay all transportation costs to return the defective part(s) or wall heater for repair or replacement. Warranty is void if heater has been installed or used improperly or if design has been altered in any way.



The installation, electrical connection and first operation of this appliance should be carried out by a qualified installer.



The company does not accept liability for failure of any appliances which have not been installed and operated in accordance with the manufacturer's instructions.

Environment and recycling

Please help us to protect the environment by disposing of the packaging in accordance with the national regulations for waste processing.

TABLE DES MATIÈRES | UTILISATION

REMARQUES GÉNÉRALES

UTILISATION

1. Remarques générales	10
1.1 Consignes de sécurité	10
1.2 Autres repérages utilisés dans cette documentation	11
2. Sécurité	11
2.1 Utilisation conforme	11
2.2 Consignes de sécurité générales	11
2.3 Remarques générales	12
2.4 Label de conformité	12
2.5 Homologation	12
3. Description de l'appareil	12
3.1 Utilisation avec un régulateur externe de température ambiante	12
4. Utilisation CK 15 E / CK 20 E	13
4.1 Mise en marche du chauffage	13
4.2 Arrêt du chauffage / protection hors gel	13
5. Utilisation CKT 15 E / CKT 20 E	13
5.1 Mise en marche du chauffage	13
5.2 Réglage de l'horloge de temporisation	13
5.3 Arrêt du chauffage / protection hors gel	13
6. Nettoyage, entretien et maintenance	14
7. Stockage	14
8. Comment remédier à un problème	14

INSTALLATION

9. Sécurité	15
9.1 Consignes de sécurité générales	15
9.2 Prescriptions, normes et directives	15
10. Description de l'appareil	15
10.1 Fourniture	15
11. Montage	15
12. Raccordement électrique	15
13. Remise de l'appareil	15
14. Données techniques	16
14.1 Cotes	16
14.2 Schéma de câblage CK 15 E / CK 20 E	17
14.3 Schéma de câblage CKT 15 E / CKT 20 E	17

SERVICE CLIENTÈLE ET GARANTIE

ENVIRONNEMENT ET RECYCLAGE

UTILISATION

1. Remarques générales



Remarque

Lisez attentivement cette notice avant utilisation et familiarisez-vous avec les fonctions de l'appareil. Conservez cette notice. Remettez cette notice au nouvel utilisateur le cas échéant.

1.1 Consignes de sécurité

1.1.1 Structure des consignes de sécurité



MENTION D'AVERTISSEMENT Nature du danger
Sont indiqués ici les risques éventuellement encourus en cas de non-respect de la consigne de sécurité.
► Sont indiqués ici les mesures permettant de pallier au danger.

1.1.2 Symboles, nature du danger

Symbole	Nature du danger
	Blessure
	Électrocution
	Brûlure
	Incendie

1.1.3 Mentions d'avertissement

MENTION D'AVERTISSEMENT	Signification
DANGER	Caractérise des remarques dont le non-respect entraîne de graves lésions, voire la mort.
AVERTISSEMENT	Caractérise des remarques dont le non-respect peut entraîner de graves lésions, voire la mort.
ATTENTION	Caractérise des remarques dont le non-respect peut entraîner des lésions légères ou moyennement graves.

1.2 Autres repérages utilisés dans cette documentation



Remarque

Les remarques sont délimitées par des lignes horizontales au-dessus et en dessous du texte. Le symbole ci-contre caractérise des remarques générales.

- Lisez attentivement les textes de remarque.

Symbole	
	Endommagements de l'appareil et pollution de l'environnement
	Recyclage de l'appareil
	Ne pas couvrir l'appareil

- Ce symbole vous indique que vous devez agir. Les actions nécessaires sont décrites étape par étape.

2. Sécurité

Respectez les consignes de sécurité et les prescriptions énoncées par la suite.

N'utilisez cet appareil que s'il est complètement installé et doté de tous les dispositifs de sécurité.

2.1 Utilisation conforme

Cet appareil est conçu pour le chauffage de locaux.

Tout emploi sortant de ce cadre est considéré comme non conforme.

2.2 Consignes de sécurité générales



DANGER Incendie

N'utilisez pas l'appareil ...

- lorsque les distances minimales avec les surfaces des objets voisins (meubles, rideaux et voilages, autres textiles ou tout autre matériau inflammable) ne sont pas respectées (voir le chapitre Données techniques / Cotes pour les indications sur les distances minimales).
- dans les locaux où existe un risque d'incendie ou d'explosion en raison de la présence de produits chimiques, poussières, gaz ou vapeurs.
- à proximité immédiate de câbles ou récipients susceptibles de contenir ou de transporter des matériaux inflammables ou explosibles.
- si des travaux de pose, de ponçage, de vitrification sont exécutés dans le local où l'appareil est installé.
- là où sont manipulés de l'essence, des bombes aérosols, de l'encaustique ou d'autres produits identiques. Aérez suffisamment le local avant de chauffer.
- après une chute de l'appareil, après un fonctionnement défaillant, si un composant de l'appareil est endommagé.
- à l'extérieur.



DANGER Incendie

Ne posez pas sur l'appareil ou à proximité immédiate de celui-ci des objets ou des matériaux combustibles, inflammables ou isolants thermiques tels que linge, couvertures, journaux, récipients contenant de l'encaustique ou de l'essence, bombes aérosols et autres produits similaires.



AVERTISSEMENT Incendie

Veillez à ce qu'aucun corps étranger ne pénètre dans les ouvertures d'entrée ou de sortie d'air. Toute pénétration d'un corps étranger dans ces ouvertures risque de provoquer une électrocution ou un incendie, ou d'endommager l'appareil.



AVERTISSEMENT Incendie

Pour éviter tout incendie, veillez à ne jamais bloquer les ouvertures d'entrée et de sortie d'air. N'utilisez jamais l'appareil sur une surface de pose molle (lit par ex.) afin d'éviter d'obstruer les ouvertures.



DANGER Surchauffe

Si l'appareil est utilisé avec une horloge de temporisation, il peut, sans régulation, ne pas cesser de chauffer le local. Si le local est petit et que les personnes qui s'y trouvent ne peuvent pas le quitter d'elles-mêmes, il convient d'assurer une surveillance permanente.



AVERTISSEMENT Blessure

À moins d'être supervisées ou d'avoir reçu les instructions d'usage de la personne responsable de leur sécurité, les personnes (y compris les enfants) aux capacités physiques, sensorielles ou mentales réduites ne doivent pas utiliser cet appareil. Surveillez les enfants pour vous assurer qu'ils ne jouent pas avec l'appareil.



ATTENTION Brûlures

Les surfaces de l'appareil et l'air rejeté sont chauds lorsque l'appareil est en service (plus de 90 °C (194 °F)). Pour éviter des brûlures, évitez tout contact direct de la peau nue avec les surfaces chaudes.

2.3 Remarques générales



Endommagements de l'appareil et pollution de l'environnement

- Ne pas couvrir l'appareil.
- Ne montez pas sur l'appareil.

2.4 Label de conformité

Voir la plaque signalétique sur l'appareil.

2.5 Homologation

- ETL (U.S.A)
- C-ETL (Canada)

3. Description de l'appareil

L'appareil se fixe au mur et convient en particulier pour les bureaux ou ateliers, cuisines, salles de bains, laveries et locaux similaires.

L'habillage externe de l'appareil est en tôle métallique thermolaquée. Les deux parois latérales sont en matière synthétique et les organes de commande sont placés sur le côté droit.

Le ventilateur silencieux capte l'air ambiant qui est ensuite chauffé par le système de chauffe à fil nu puis soufflé uniformément par le conduit d'air chaud et la grille de sortie d'air chaud située en-dessous.

L'appareil chauffe l'air ambiant à la température réglée et maintient cette température constante.

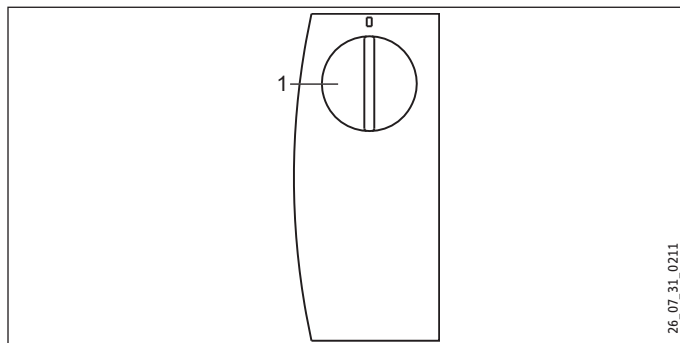
3.1 Utilisation avec un régulateur externe de température ambiante

(Ne s'applique qu'à CK)

Vous avez la possibilité d'utiliser cet appareil dans les locaux de plus de 20 m² (215 sqft) avec un régulateur externe de température ambiante acheté dans le commerce.

- Tournez le sélecteur de température de l'appareil vers la droite jusqu'en butée.

4. Utilisation CK 15 E / CK 20 E



1 Sélecteur de température

4.1 Mise en marche du chauffage

La température se règle en continu. L'appareil se coupe dès que la température ambiante réglée est atteinte.

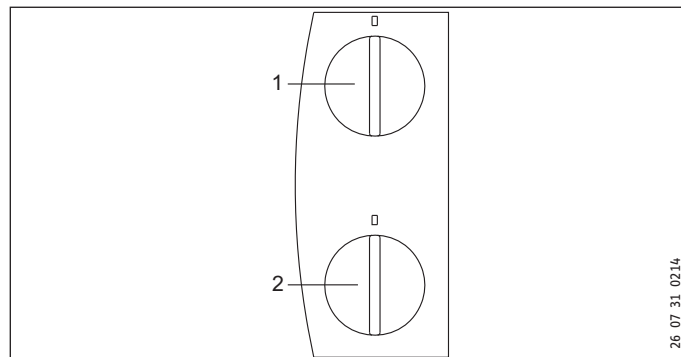
- Tournez le sélecteur de température de l'appareil vers la droite jusqu'au niveau souhaité.

4.2 Arrêt du chauffage / protection hors gel

- Tournez le sélecteur de température de l'appareil vers la gauche jusqu'en butée.

La protection hors gel est activée en cette position. Le chauffage se met automatiquement en marche si la température ambiante est inférieure à la température de protection hors gel.

5. Utilisation CKT 15 E / CKT 20 E



1 Sélecteur de température
2 Horloge de temporisation

5.1 Mise en marche du chauffage

La température se règle en continu. L'appareil se coupe dès que la température ambiante réglée est atteinte.

- Tournez le sélecteur de température de l'appareil vers la droite jusqu'au niveau souhaité.

5.2 Réglage de l'horloge de temporisation

Sans régulation et avec l'horloge de temporisation, l'appareil chauffe à pleine puissance.

- Tournez le bouton de l'horloge de temporisation vers la droite pour régler une durée de fonctionnement comprise entre 0 et 60 minutes.

5.3 Arrêt du chauffage / protection hors gel

La protection hors gel est activée en cette position. Le chauffage se met automatiquement en marche si la température ambiante est inférieure à la température de protection hors gel.

- Tournez le sélecteur de température de l'appareil vers la gauche jusqu'en butée et vérifiez que l'horloge de temporisation est sur 0.

6. Nettoyage, entretien et maintenance

Cet appareil ne contient aucune pièce à entretenir par l'utilisateur.

Nettoyez l'appareil, lorsqu'il est froid, avec des produits d'entretien usuels. Évitez les produits d'entretien abrasifs et corrosifs.

Si des taches de couleur brune apparaissent sur l'enveloppe de l'appareil, nettoyez celles-ci avec un chiffon humide le plus tôt possible.



Endommagements de l'appareil et pollution de l'environnement

Ne vaporisez pas de nettoyant en spray dans la fente d'aération.

7. Stockage

- ▶ Lorsque l'appareil n'est pas utilisé, rangez-le dans un endroit sec.

8. Comment remédier à un problème

Si l'appareil ne chauffe pas, vérifiez la température réglée sur l'appareil et le fusible de l'installation domestique.

L'appareil est équipé d'un thermostat de sécurité qui le coupe en cas de surchauffe. Une fois la cause éliminée (entrée ou sortie de l'air recouverte par ex.), l'appareil se remettra en marche après un temps de refroidissement de quelques minutes.

Appelez un installateur si vous ne réussissez pas à éliminer la cause. Donnez-lui le numéro indiqué sur la plaque signalétique pour qu'il puisse vous aider plus rapidement et plus efficacement (000000-0000-000000).

INSTALLATION

9. Sécurité

La maintenance et les réparations de cet équipement ne doivent être effectuées que par un technicien du service clientèle.

9.1 Consignes de sécurité générales

Nous ne garantissons un bon fonctionnement et en toute sécurité de l'appareil que si les accessoires et pièces de rechange d'origine sont employés.

9.2 Prescriptions, normes et directives



Remarque

Tenez compte de la législation et des prescriptions nationales et locales.

10. Description de l'appareil

Cet appareil est un appareil de chauffage électrique direct à monter au mur. Cet appareil convient particulièrement au chauffage des locaux tels que bureaux ou ateliers, cuisines, salles de bains, laveries, etc.

10.1 Fourniture

- Applique murale
- Équerre de fixation

11. Montage



DANGER Électrocution

- Lors de l'installation de cet appareil dans des locaux avec baignoire et/ou douche, tenez compte de la zone de protection conformément aux indications reportées sur la plaquette signalétique de l'appareil.
- Placez l'appareil de sorte que les dispositifs de commutation et de régulation ne puissent être touchés par les personnes se trouvant dans la baignoire ou la douche.



DANGER Incendie

- L'appareil ne peut être fixé que sur une paroi verticale capable de résister au moins à une température de 90 °C.
- Respectez les distances minimales d'écartement avec les surfaces des objets voisins.
- N'installez pas l'appareil directement sous une prise électrique murale.

- Référez-vous au plan de cotes pour l'écartement des trous pour l'applique murale.

- Fixez la fixation murale à l'aide du matériel de fixation adéquat. Il est possible de compenser un décalage du trou dans le sens horizontal et vertical à l'aide du trou oblong de l'applique murale.
- Accrochez l'appareil de manière à ce que les deux ergots qui ressortent en haut de la paroi arrière s'agrippent dans la fente de l'applique murale.
- Fixez l'appareil avec l'équerre de fixation et une vis afin d'éviter qu'il ne se décroche inopinément. Accrochez l'équerre de fixation derrière à la paroi arrière.

12. Raccordement électrique



DANGER Électrocution

Exécutez tous les travaux de raccordement et d'installation électriques suivant les prescriptions.



Endommagements de l'appareil et pollution de l'environnement

- Respectez les indications de la plaque signalétique. La tension spécifiée doit correspondre à la tension du secteur.

N'installez pas l'appareil directement sous une prise électrique murale.

Si vous utilisez un câble de type ROMEX, installez un connecteur ROMEX de 1/2" dans l'évidement. Si vous utilisez un câble de type Greenfield, utilisez un connecteur Greenfield de 1/2".

13. Remise de l'appareil

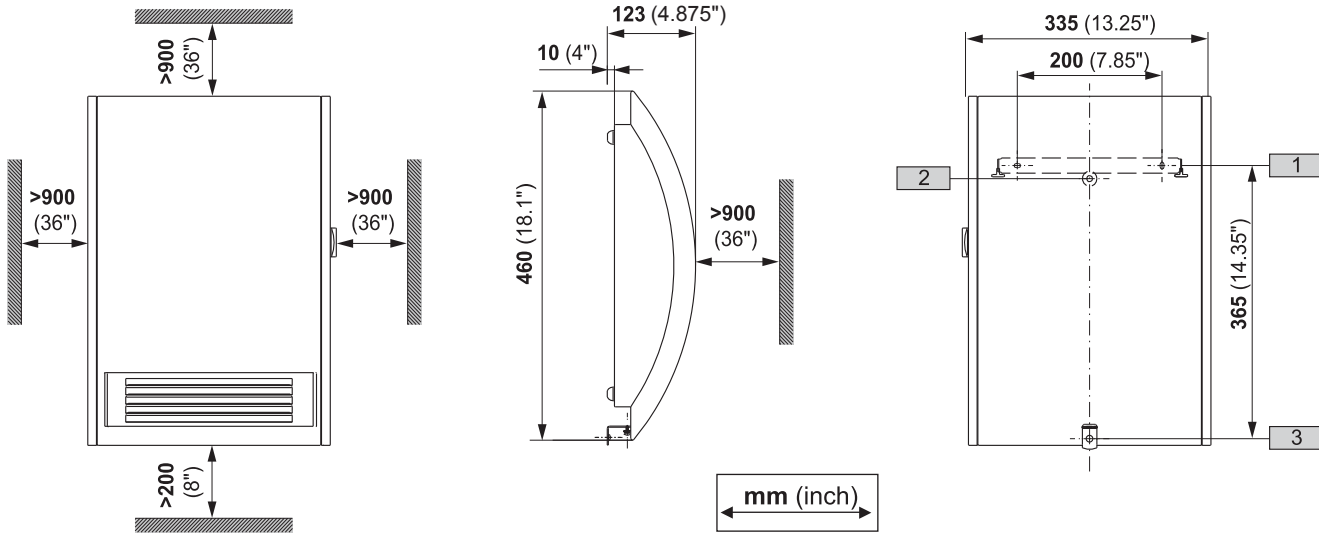
Expliquez les différentes fonctions de l'appareil à l'utilisateur. Attirez particulièrement son attention sur les consignes de sécurité. Remettez les instructions d'utilisation et d'installation à l'utilisateur.

INSTALLATION

DONNÉES TECHNIQUES

14. Données techniques

14.1 Cotes

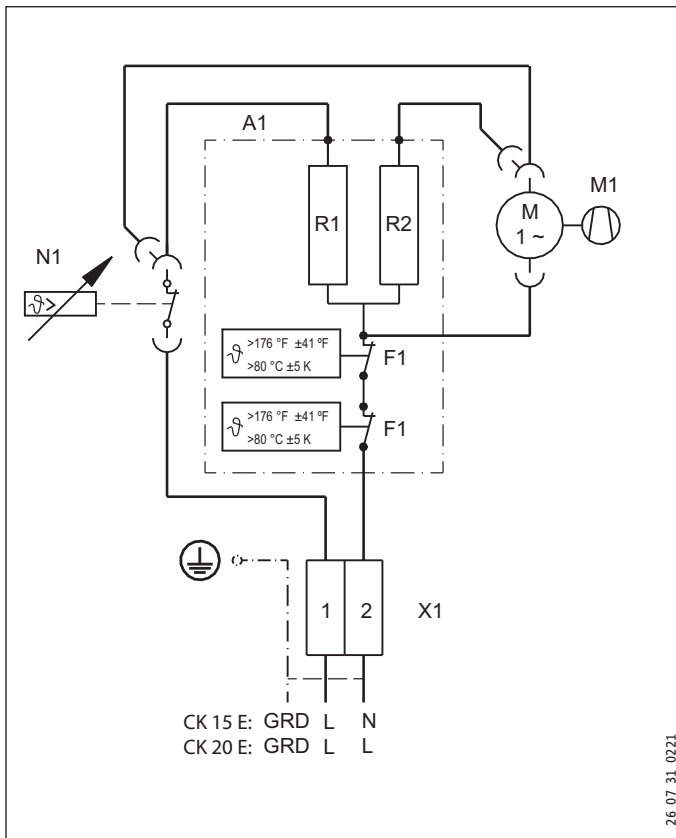


80_07_31_0012

- 1 Fixation murale
- 2 Passage des câbles électriques
- 3 Équerre de fixation

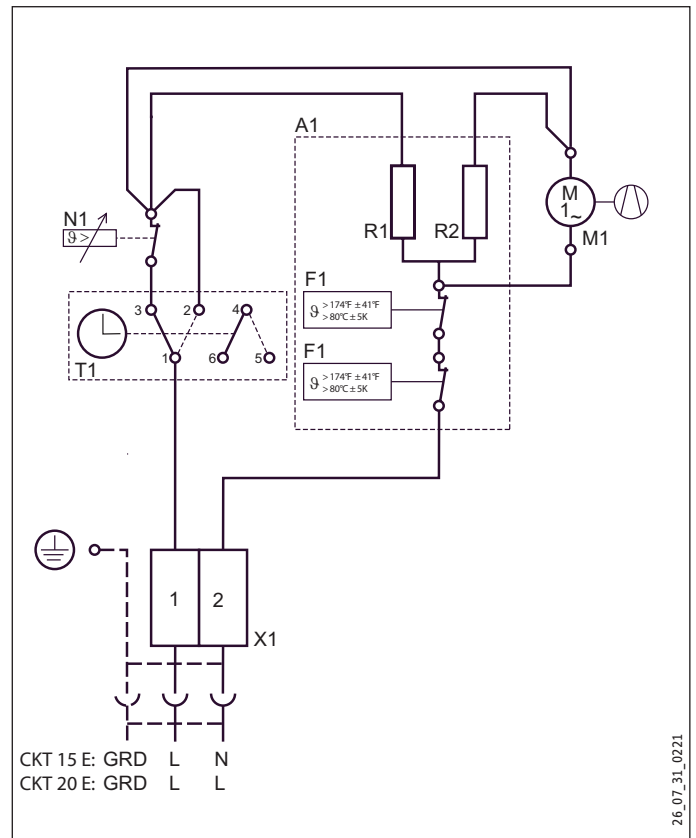
		CK 15 E	CK 20 E	CKT 15 E	CKT 20 E
Réf. commande		074058	074057	230345	230346
Puissance de raccordement	W	1500	2000	1500	1500 / 2000
Plage de réglage	°F / °C	41-86 / 5-30	41-86 / 5-30	41-86 / 5-30	41-86 / 5-30
Protection hors gel	°F / °C	44.6 / 7	44.6 / 7	44.6 / 7	44.6 / 7
Raccordement électrique		singlephase ~ 120 V	singlephase ~ 208/240 V	singlephase ~ 120 V	singlephase ~ 208/240 V
Bruit en fonctionnement	dB(A)	53	53	53	53
Hauteur	inch / mm	18.1" / 460	18.1" / 460	18.1" / 460	18.1" / 460
Largeur	inch / mm	13.2" / 335	13.2" / 335	13.2" / 335	13.2" / 335
Profondeur	inch / mm	4.875" / 123	4.875" / 123	4.875" / 123	4.875" / 123
Poids	lb / kg	8.0 / 4.4	8.0 / 4.4	8.0 / 4.4	8.0 / 4.4
Degré de protection (IP)		IP13B	IP13B	IP13B	IP13B
Classe de protection		I	I	I	I
Couleur		blanc alpin	blanc alpin	blanc alpin	blanc alpin

14.2 Schéma de câblage CK 15 E / CK 20 E



- A1 Module élément électrique chauffant
- F1 Protection contre la surchauffe
- M1 Ventilateur
- N1 Thermostat
- R1 Résistance électrique
- R2 Résistance électrique
- X1 Borne

14.3 Schéma de câblage CKT 15 E / CKT 20 E



- A1 Module élément électrique chauffant
- F1 Protection contre la surchauffe
- M1 Ventilateur
- N1 Thermostat
- R1 Résistance électrique
- R2 Résistance électrique
- T1 Minuterie 60 min
- X1 Bloc de jonction
- X2 Raccord enfichable

Garantie limitée

Garantie résidentielle et commerciale : Stiebel Eltron garantit le CK 15 E / CK 20 E / CKT 15 E / CKT 20 E au premier propriétaire contre tout défaut de fabrication et de matériaux pour une période de TROIS ANS à partir de la date d'achat. S'il est prouvé que la ou les pièces sont défectueuses sous utilisation normale pendant cette période, la société Stiebel Eltron sera uniquement tenue de remplacer la ou les pièces défectueuses. La société Stiebel Eltron ne sera pas tenue du remboursement des frais de main d'œuvre occasionnés pour enlever et/ou remplacer la ou les pièces défectueuses, ni de tout autre frais direct ou indirect. Si le propriétaire souhaite retourner le radiateur mural pour réparation, il devra d'abord obtenir l'autorisation écrite de la société Stiebel Eltron. Le propriétaire sera tenu de présenter une preuve de la date d'achat et d'acquitter tous les frais de transport pour le retour de la ou les pièces défectueuses, ou du radiateur mural à fin de réparation ou de remplacement. La garantie sera annulée si l'appareil a été installé ou utilisé de façon inadéquate ou si sa conception a été modifiée d'une façon ou d'une autre.

L'installation, le raccordement électrique et la première mise en service de cet appareil doivent être effectués par un installateur qualifié.

La société n'assume aucune responsabilité pour les dommages causés par un appareil qui n'aurait pas été installé ni utilisé conformément aux instructions du fabricant.

Environnement et recyclage

Merci de nous aider à protéger l'environnement en procédant au recyclage de l'emballage, conformément à la réglementation nationale en matière de traitement des déchets

OPERACIÓN

1. Indicaciones generales	19
1.1 Indicaciones de seguridad	19
1.2 Otras marcas presentes en esta documentación	20
2. Seguridad	20
2.1 Utilización conforme a las prescripciones	20
2.2 Indicaciones generales de seguridad	20
2.3 Indicaciones generales	21
2.4 Sello de certificación	21
2.5 Autorizaciones	21
3. Descripción del aparato	21
3.1 Operación con reguladores externos de temperatura	21
4. Operación CK 15 E / CK 20 E	22
4.1 Encender la calefacción	22
4.2 Desconectar la calefacción / protección antiescarcha	22
5. Operación CKT 15 E / CKT 20 E	22
5.1 Encender la calefacción	22
5.2 Ajustar el temporizador	22
5.3 Desconectar la calefacción / protección antiescarcha	22
6. Limpieza, conservación y mantenimiento	23
7. Almacenaje	23
8. Solución de problemas	23

INSTALACIÓN

9. Seguridad	24
9.1 Indicaciones generales de seguridad	24
9.2 Directivas, normas y disposiciones	24
10. Descripción del aparato	24
10.1 Ámbito de suministro	24
11. Montaje	24
12. Conexión eléctrica	24
13. Entrega del aparato a terceras personas	24
14. Especificaciones técnicas	25
14.1 Medidas	25
14.2 Plano eléctrico CK 15 E / CK 20 E	26
14.3 Plano eléctrico CKT 15 E / CKT 20 E	26

GARANTÍA

MEDIO AMBIENTE Y RECICLAJE

OPERACIÓN

1. Indicaciones generales



Indicación

Lea atentamente estas instrucciones antes del uso y familiarícese con las funciones del aparato. Archive las instrucciones en un lugar seguro. En caso de entregar este aparato a otro usuario, adjunte al mismo las instrucciones.

1.1 Indicaciones de seguridad

1.1.1 Estructura de las instrucciones de seguridad



ADVERTENCIA Tipo de peligro

A continuación se indican algunas de las posibles consecuencias ante el desobedecimiento de las instrucciones de seguridad.

► A continuación se proporcionan medidas para evitar el peligro.

1.1.2 Símbolos, tipo de peligro

Símbolo	Tipo de peligro
	Lesión
	Electrocución
	Quemadura o escaldamiento
	Incendio

1.1.3 Palabras de advertencia

PALABRA DE ADVERTENCIA	Significado
PELIGRO	Indicaciones, que en caso de no considerarlas, tiene como consecuencia lesiones graves o la muerte.
ADVERTENCIA	Indicaciones, que en caso de no considerarlas, puede tener como consecuencia lesiones graves o la muerte.
PRECAUCIÓN	Indicaciones, que en caso de no considerarlas, puede tener como consecuencia lesiones de gravedad media o baja.




1.2 Otras marcas presentes en esta documentación



Indicación

Las indicaciones están delimitadas por líneas horizontales sobre y debajo del mensaje de texto. Las indicaciones generales se señalizan mediante el símbolo adyacente.

- ▶ Lea atentamente las indicaciones.

Símbolo	
	Daños a aparatos y daños medioambientales
	Eliminación del aparato
	No tape el equipo

- ▶ Este símbolo indica que Usted tiene que realizar una acción. Las acciones necesarias se describen paso a paso.

2. Seguridad

Observe las siguientes indicaciones de seguridad y prescripciones.

El equipo sólo debe utilizarse después de haber sido instalado completamente y con todos los dispositivos de seguridad.

2.1 Utilización conforme a las prescripciones

El equipo sirve para calentar habitaciones.

Cualquier uso diferente o adicional al mencionado se considera un uso no conforme a las prescripciones.

2.2 Indicaciones generales de seguridad



PELIGRO Incendio

No ponga en funcionamiento el aparato ...

- si no se respetan las distancias mínimas con respecto a otros objetos limítrofes como, por ejemplo, muebles, cortinas y otros textiles o materiales inflamables (las distancias mínimas figuran en el capítulo "Especificaciones técnicas/medidas").
- si las habitaciones corren peligro de incendio o de explosión debido a la presencia de sustancias químicas, gases o vapores.
- si se encuentra colocado cerca de tuberías o depósitos que contienen o conducen sustancias inflamables o explosivos.
- si en la habitación de colocación se están realizando trabajos de instalación, mecanizado o sellado.
- si se manipulan sprays de gasolina, encáusticos o productos similares ventile suficientemente la habitación antes de calentar.
- si un componente del aparato presenta daños, si el aparato ha caído o si existió anteriormente un mal funcionamiento.
- al aire libre.



PELIGRO Incendio

Sobre el aparato o cerca de él no se pueden depositar objetos combustibles, inflamables o aislantes térmicos, tales como piezas de ropa, mantas, periódicos, depósitos con encáusticos o gasolina, botes de spray o similares.



ADVERTENCIA Incendio

Asegúrese de que en las aberturas de entrada y salida de aire no entren cuerpos extraños, ya que esto podría causar una descarga eléctrica, un incendio o daños en el aparato.



ADVERTENCIA Incendio

Para evitar incendios, asegúrese de no bloquear las aberturas de entrada y salida de aire. No utilice el aparato nunca sobre superficies blandas, como por ejemplo sobre una cama, ya que esto podría bloquear las aberturas.

OPERACIÓN

DESCRIPCIÓN DEL APARATO



PELIGRO Sobrecalentamiento
Al utilizar un temporizador para el funcionamiento, puede que el aparato siga calentando la habitación sin regulación. Si la habitación es pequeña y las personas que se encuentran en ella no pueden abandonarla de forma independiente, garantice una vigilancia permanente.



ADVERTENCIA Peligro de lesiones
Si niños o personas con discapacidad física, sensorial o mental, manipulan el aparato, debe asegurarse de que esto solamente se realice bajo vigilancia o después de haber recibido la instrucción adecuada por una persona que esté a cargo de su seguridad. Los niños deben permanecer vigilados en todo momento para asegurarse de que no juegan con el aparato.



CUIDADO Quemaduras
Las superficies de la carcasa del equipo y el aire que sale de éste se calientan mucho durante el funcionamiento (más de 90 °C (194 °F)). Para evitar quemaduras, procure que la piel no entre en contacto con las superficies calientes.

2.3 Indicaciones generales



Daños a aparatos y daños medioambientales

- No cubra el aparato.
- No se suba al aparato.

2.4 Sello de certificación

Véase placa de especificaciones en el aparato.

2.5 Autorizaciones

- ETL (EE.UU.)
- C-ETL (Canadá)

3. Descripción del aparato

El aparato va fijado a la pared y sobre todo es adecuado para cuartos de trabajo, cocinas, lavabos y habitaciones semejantes.

La carcasa del aparato es de acero esmaltado al horno. Ambos lados están limitados por dos piezas laterales de plástico. En el lateral derecho se encuentran los elementos de mando.

El ventilador silencioso aspira el aire de la habitación que, después de ser calentado por el calefactor de resistencias, fluye a través del canal de aire caliente para ser expulsado de forma equilibrada por la rejilla de salida de aire caliente.

El aparato calienta la temperatura ambiente y la mantiene constante a la temperatura ajustada.

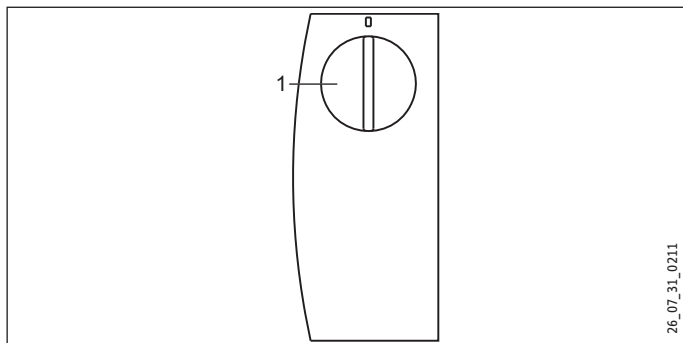
3.1 Operación con reguladores externos de temperatura

(Solo válido para: CK)

En habitaciones superiores a 20 m² (215 sqft) se puede utilizar el aparato con un regulador externo de temperatura corriente.

- Para ello gire el selector de temperatura del aparato hasta el tope derecho.

4. Operación CK 15 E / CK 20 E



26_07_31_0211

1 Selector de temperatura

4.1 Encender la calefacción

La temperatura puede ser ajustada sin escalonamientos. El aparato se desconecta en el momento de alcanzarse la temperatura ajustada.

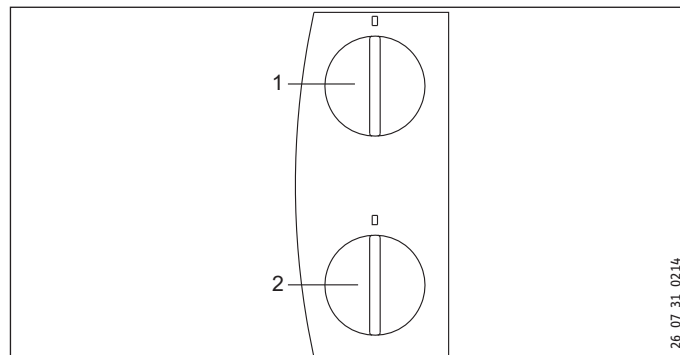
- Gire el selector de temperatura hacia la derecha hasta alcanzar la temperatura deseada.

4.2 Desconectar la calefacción / protección antiescarcha

- Gire el selector de temperatura del aparato hasta el tope izquierdo.

En esta posición está activada la protección antiescarcha. La calefacción se enciende automáticamente si la temperatura ambiente desciende por debajo de la temperatura de protección antiescarcha.

5. Operación CKT 15 E / CKT 20 E



26_07_31_0214

1 Selector de temperatura
2 Temporizador

5.1 Encender la calefacción

La temperatura puede ser ajustada sin escalonamientos. El aparato se desconecta en el momento de alcanzarse la temperatura ajustada.

- Gire el selector de temperatura hacia la derecha hasta alcanzar la temperatura deseada.

5.2 Ajustar el temporizador

Con temporizador, el aparato calienta a plena potencia sin regulación de temperatura.

- Gire el selector del temporizador hacia la derecha para ajustar el tiempo de funcionamiento deseado de 0 - 60 minutos.

5.3 Desconectar la calefacción / protección antiescarcha

En esta posición está activada la protección antiescarcha. La calefacción se enciende automáticamente si la temperatura ambiente baja por debajo de la temperatura de protección antiescarcha.

- Gire el selector de temperatura del aparato hasta el tope izquierdo y cerciórese que el temporizador está ajustado a "0".

6. Limpieza, conservación y mantenimiento

El aparato no contiene ningún componente que necesite un mantenimiento por parte del usuario.

Limpie el aparato en estado frío utilizando productos de limpieza corrientes. Evite utilizar limpiadores agresivos o corrosivos.

Si se producen decoloraciones leves amarronadas en la carcasa del equipo, límpielas de inmediato frotando con un trapo humedecido.



Daños a aparatos y daños medioambientales

No rocíe spray limpiador en las ranuras de ventilación de aire.

7. Almacenaje

- ▶ Cuando el aparato esté fuera de uso, guárdelo en un lugar seco.

8. Solución de problemas

Si el aparato no calienta, revise la temperatura ajustada en el aparato y el fusible de la instalación doméstica.

El aparato dispone de un regulador de temperatura de seguridad que se desconecta si el aparato se sobrecalienta. Tras reparar la causa (p.ej. abertura de salida o de entrada de aire cubierta), el aparato volverá a ponerse en marcha en unos pocos minutos después de un intervalo de tiempo de enfriado.

Si no puede solucionar la causa, llame al instalador. Para poder ayudarle mejor y con mayor agilidad, indique el número de la placa de modelo (000000-0000-000000).

INSTALACIÓN

9. Seguridad

El mantenimiento y la reparación del aparato sólo puede ser realizado por un técnico del servicio postventa.

9.1 Indicaciones generales de seguridad

Sólo garantizamos una funcionalidad y seguridad de funcionamiento perfectas si se utilizan accesorios y piezas de repuesto originales previstos para el aparato.

9.2 Directivas, normas y disposiciones



Indicación

Tenga presentes todos los reglamentos y disposiciones nacionales y regionales.

10. Descripción del aparato

El equipo es un aparato eléctrico de calefacción directa, que es fijado a la pared. El aparato es muy apto para calentar habitaciones como p. ej. cuartos de trabajo, cocinas, baños, lavabos etc.

10.1 Ámbito de suministro

- Soporte de pared
- Ángulo de fijación

11. Montaje



PELIGRO Electrocutión

- En caso de instalar el aparato en habitaciones con bañera y/o ducha, tenga en cuenta el área de protección en concordancia con las indicaciones en la placa de especificaciones del aparato.
- Coloque el aparato de forma que los dispositivos de conmutación y regulación no puedan entrar en contacto con la persona que se encuentre en la bañera o bajo la ducha.



PELIGRO Incendio

- El aparato solo puede ser colocado a una pared vertical y resistente a temperaturas de 90°C como mínimo.
- Mantenga las distancias mínimas respecto a las superficies de los objetos colindantes.
- No puede colocar el aparato inmediatamente debajo de una toma de corriente de pared.

- Observe en el plano dimensional la distancia entre los agujeros para el montaje del soporte de pared.

- Fije el soporte de pared con material de fijación adecuado. Con los oblongos horizontales y verticales se posibilita un mejor ajuste del soporte de pared respecto a los taladros.
- Cuelgue el aparato de manera que los dos anclajes situados en la parte superior de la pared trasera entren en las ranuras del soporte de pared.
- Coloque el ángulo de fijación y el tornillo para asegurar que el aparato no sea descolgado involuntariamente. Cuelgue para ello el ángulo de fijación desde atrás en la pared trasera.

12. Conexión eléctrica



PELIGRO Electrocutión

Realice los trabajos de conexión e instalación eléctricos conforme a la normativa vigente.



Daños a aparatos y daños medioambientales

- Observe la placa de especificaciones. La tensión indicada debe coincidir con la tensión eléctrica disponible.

No coloque el aparato inmediatamente debajo de una toma de corriente de pared.

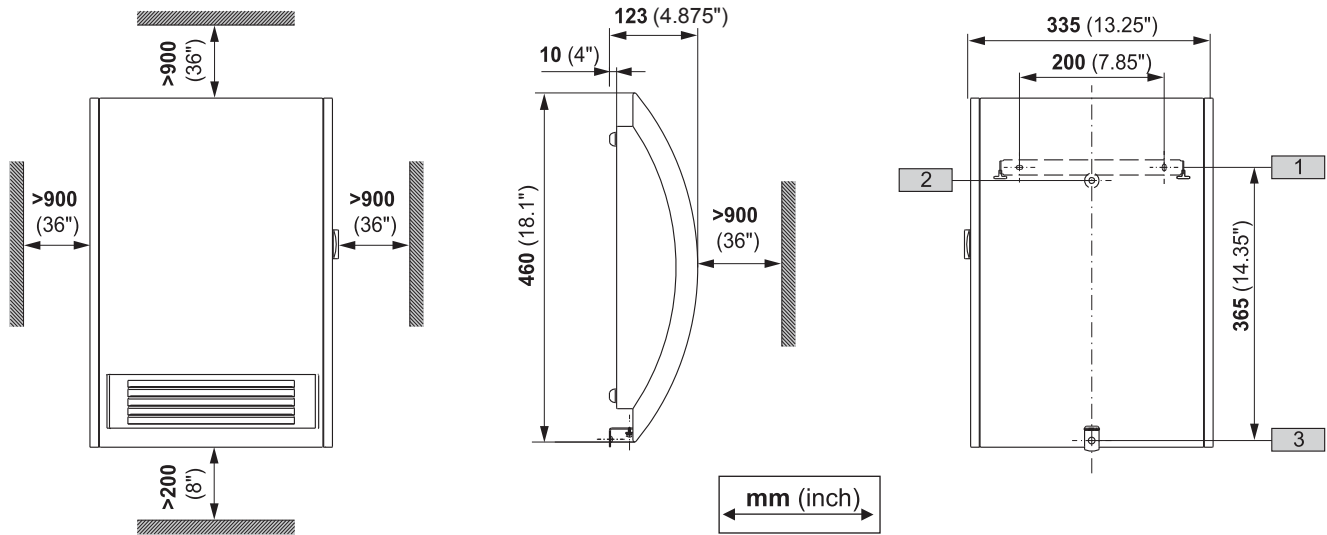
En caso de cable ROMEX, instale 1/2" ROMEX conector. En caso de Greenfield, utilice por favor 1/2" Greenfield conector.

13. Entrega del aparato a terceras personas

Explique al usuario las funciones del equipo. Subraye la importancia de las instrucciones de seguridad indicándoselas. Entregue al usuario el manual de operación e instalación.

14. Especificaciones técnicas

14.1 Medidas



- 1 Soporte de pared
- 2 Paso de cables eléctricos
- 3 Ángulo de fijación

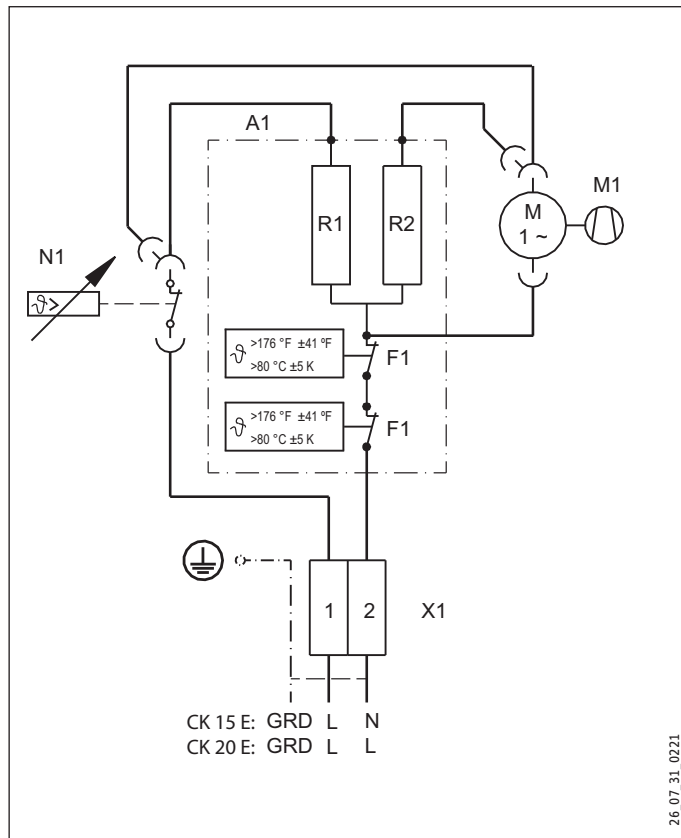
		CK 15 E	CK 20 E	CKT 15 E	CKT 20 E
Número de pedido		074058	074057	230345	230346
Potencia de conexión	W	1500	2000	1500	1500 / 2000
Rango de ajuste	°F / °C	41-86 / 5-30	41-86 / 5-30	41-86 / 5-30	41-86 / 5-30
Posición de protección antiescarcha	°F / °C	44.6 / 7	44.6 / 7	44.6 / 7	44.6 / 7
Conexión eléctrica		singlephase ~ 120 V	singlephase ~ 208/240 V	singlephase ~ 120 V	singlephase ~ 208/240 V
Ruido de funcionamiento	dB(A)	53	53	53	53
Altura	inch / mm	18.1" / 460	18.1" / 460	18.1" / 460	18.1" / 460
Ancho	inch / mm	13.2" / 335	13.2" / 335	13.2" / 335	13.2" / 335
Profundidad	inch / mm	4.875" / 123	4.875" / 123	4.875" / 123	4.875" / 123
Peso	lb / kg	8.0 / 4.4	8.0 / 4.4	8.0 / 4.4	8.0 / 4.4
Tipo de protección (IP)		IP13B	IP13B	IP13B	IP13B
Clase de protección		I	I	I	I
Color		blanco alpino	blanco alpino	blanco alpino	blanco alpino

80_07_31_0012

INSTALACIÓN

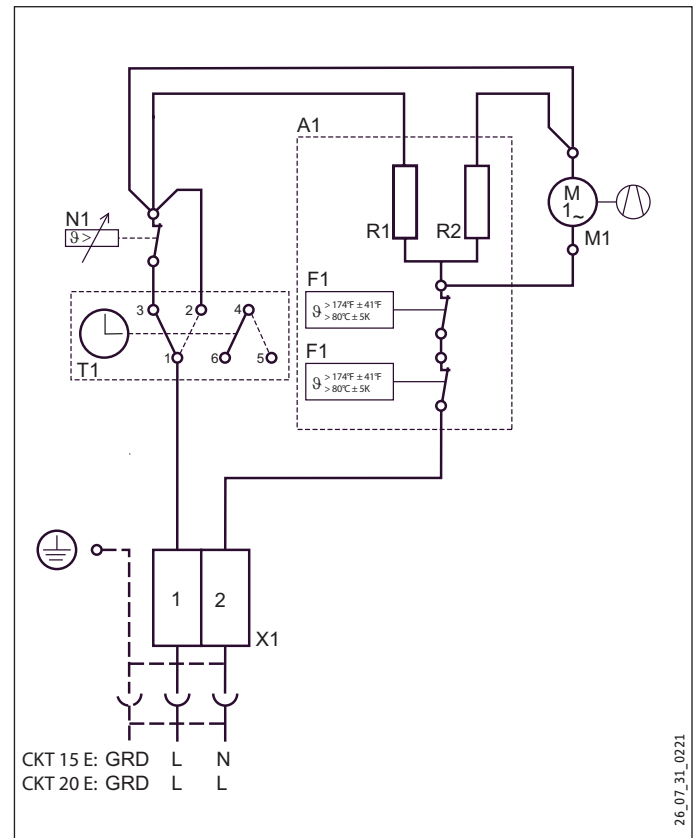
ESPECIFICACIONES TÉCNICAS

14.2 Plano eléctrico CK 15 E / CK 20 E



- A1 Grupo constructivo cuerpo calefactor eléctrico
- F1 Protección sobrecalentamiento
- M1 Ventilador
- N1 Regulador de temperatura
- R1 Resistencia calefactora
- R2 Resistencia calefactora
- X1 Conexión bipolar

14.3 Plano eléctrico CKT 15 E / CKT 20 E



- A1 Grupo constructivo cuerpo calefactor eléctrico
- F1 Protección sobrecalentamiento
- M1 Ventilador
- N1 Regulador de temperatura
- R1 Resistencia calefactora
- R2 Resistencia calefactora
- T1 Temporizador corto 60 min
- X1 Regleta de conexiones bipolar
- X2 Conexión

Limitación de garantía

Garantía residencial y comercial. Stiebel Eltron otorga garantía al propietario original, por la que se compromete a que las unidades CK 15 E / CK 20 E / CKT 15 E / CKT 20 E estarán libres de defectos de fabricación y de materiales durante un período de TRES AÑOS a contar desde la fecha de compra. Si se demostrara que el componente o componentes presentaran cualquier defecto debido al uso normal durante este período, Stiebel Eltron, Inc. se hará responsable de la sustitución de dicho componente o componentes. Stiebel Eltron, Inc. no asumirá ninguna responsabilidad por costes de trabajo a consecuencia de la retirada o sustitución de los componentes defectuosos ni de costes derivados de cualquier daño incidental o consecuencial. Si la persona propietaria deseara devolver el calentador de pared para su reparación, dicha persona propietaria deberá asegurarse de recibir primero una autorización por escrito de Stiebel Eltron, Inc. La persona propietaria deberá presentar el justificante de compra con la fecha correspondiente y, además, deberá abonar todos los costes de transporte por la devolución de los componentes defectuosos, o bien, del calentador de pared, para su posterior reparación o sustitución. La garantía quedará invalidada en caso de haber instalado o utilizado el calentador de forma indebida o si se hubiera modificado su diseño en cualquier modo.

La instalación, conexión eléctrica y primera puesta en marcha de este aparato debe ser realizado por un instalador autorizado.

La compañía no aceptará responsabilidad alguna por fallos en mercancías suministradas que no hayan sido instaladas o utilizadas de acuerdo con las instrucciones del fabricante.

Medio ambiente y reciclaje

Ayúdenos a proteger el medio ambiente, depositando el embalaje de acuerdo con la normativa nacional vigente en materia de procesamiento de residuos.

North, Central and South America

United States of America

STIEBEL ELTRON Inc.

17 West Street | West Hatfield MA 01088

Tel. 413-247-3380 | Fax 413-247-3369

Email info@stiebel-eltron-usa.com

www.stiebel-eltron-usa.com

STIEBEL ELTRON



A 164753-35855-8559
B 292329-35855-8559