

INSTALLATION INSTRUCTIONS

821 Series Shower Drain

For a wood subfloor installation cut a 4.5" diameter hole in the center of the shower floor where the drain will be positioned. Disassemble the shower drain. Put the shower drain base in the opening so the flange of the drain base rests on top of the subfloor. Solvent weld the drain pipe into the drain base using the appropriate solvent cement.

Before applying the primary mortar bed, cover the drain base opening to keep debris from entering the drain. Apply primary mortar bed over the subfloor at 1/4" per foot slope from the wall framing to the top of, but not over, the flange of the drain base. Take care not to let mortar harden on the surface of the flange or in the flange groove.

NOTE: The sloped mortar bed should be flush with the flange of the drain base as shown.

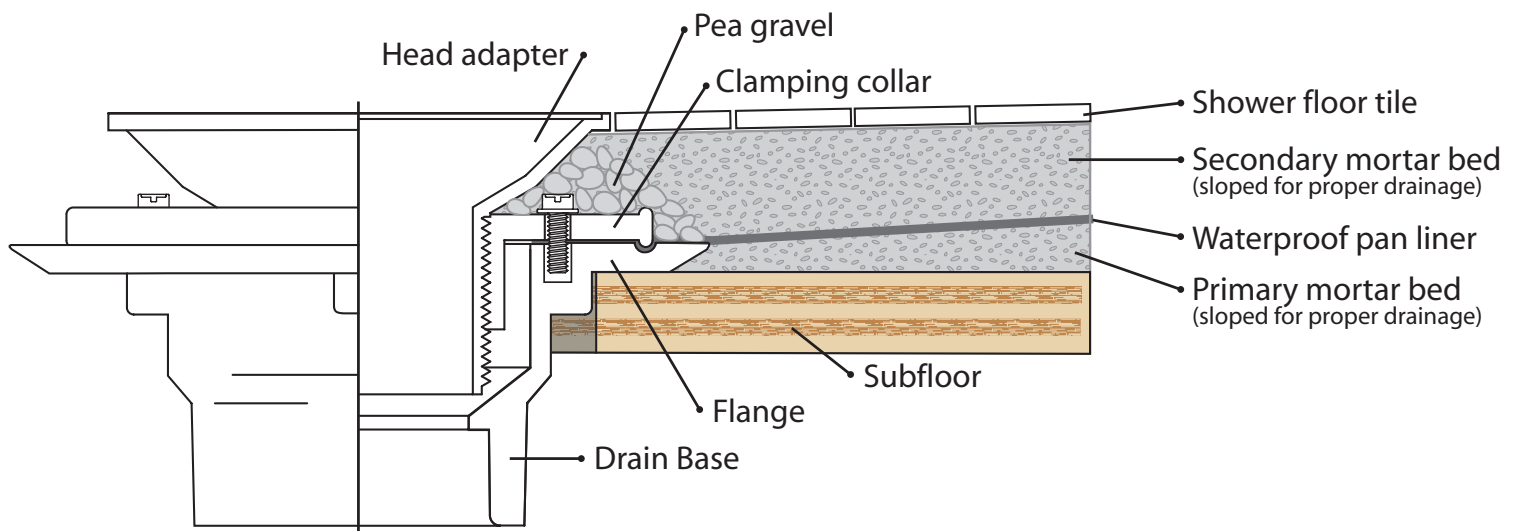
When the primary mortar bed has cured, install the waterproof pan liner in the shower area according to the pan liner manufacturer's recommendations.

Very carefully cut out the center of the pan liner in the center of the drain base approximately 1/4" inside the opening. Cut around the bolt holes on the drain base to allow for insertion of the bolts. NOTE: Cut outs should be made as minimal as possible around bolt holes just enough to start the bolts. DO NOT cut close to the flange groove. Screw the clamping ring bolts into the bolt holes approximately 2-3 threads deep. Place clamping collar over the bolts and twist into place making sure the pan liner remains flush to the flange. The clamping collar and flange are designed to mate together to form the seal with the pan liner. No adhesive is necessary. Tighten bolts to finish the seal.

Finish installing pan liner according to manufacturer's recommendations. Test the pan liner by temporarily plugging the drain pipe and filling the shower floor with water. Once tested, drain the water by removing the test plug. NOTE: Make sure the drain is connected to the plumbing system.

Screw the head adapter (contains the strainer) of the drain into the clamping collar to the desired height. NOTE: Consider the thickness of the floor tile, and set height of the head adapter so there will be at least 1" of mortar around the top housing. Before the application of the secondary mortar bed place some pea gravel over the weep holes so the mortar doesn't completely cover them.

After the secondary mortar bed has set, proceed with installation of shower floor tile



Supply · Drainage · Support · Testing · Specialties · Tools · Access

