

# 2014 SHARKBITE CATALOG

NOW INCLUDING SHARKBITE 2XL



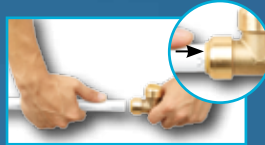
# THERE IS ONLY ONE TRUE SHARKBITE

The Very Best in Push-Fit Plumbing Solutions

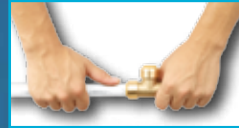
## HOW TO INSTALL SHARKBITE® PUSH-FIT PRODUCTS



**CUT:**  
Cut the pipe square removing rough edges and debris. Mark the pipe to the correct insertion depth.



**PUSH:**  
Push pipe and fitting together up to the depth mark.



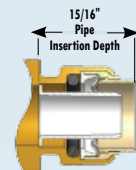
**DONE.**



\*Using the disconnect clip, fittings can be easily changed, removed and reused.

## SHARKBITE FITTINGS / TUBE SIZE COMPATIBILITY / PIPE INSERTION DEPTH

Nominal Size of Fitting	Nominal Size of Tubing	Tubing OD Size	Tubing ID Size	Pipe Insertion Decimal	Depth Fraction
1/4"	1/4" CTS	3/8"	0.305"	0.81"	13/16"
3/8"	3/8" CTS	1/2"	0.350"	0.94"	15/16"
1/2"	1/2" CTS	5/8"	0.475"	0.95"	15/16"
5/8"	5/8" CTS	3/4"	0.652"	1.13"	1-1/8"
3/4"	3/4" CTS	7/8"	0.671"	1.13"	1-1/8"
1"	1" CTS	1-1/8"	0.885"	1.32"	1-5/16"
1-1/4"	1-1/4" CTS	1-3/8"	1.055"	2.0"	2"
1-1/2"	1-1/2" CTS	1-5/8"	1.245"	2.25"	2-1/4"
2"	2" CTS	2-1/8"	1.629"	2.50"	2-1/2"
1/4" compression	1/4" ACR	1/4"	0.190"	n/a	
3/8" compression	3/8" ACR	3/8"	0.311"	n/a	



1/2" SharkBite End

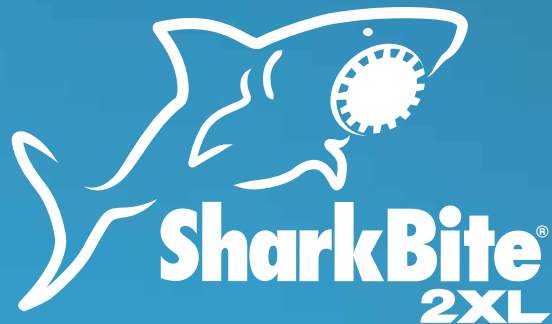
- Connects COPPER, CPVC, PEX and PE-RT pipe in any combination
- SharkBite and SharkBite 2XL are Quick Connect and Quick Disconnect
- No soldering, clamps, unions, glue or tools
- Certified to 200 psi and 200°F
- Certified for underground\* and behind the wall applications and as a manufactured joint without access panels
- Exceeds ASSE 1061 Section 1V, 4.1 Materials - Dezincification (DZR) - ISO 6509
- Certified for potable water and hydronic applications
- Integral PEX Stiffener (3/8" to 1"), 1/4" (3/8" OD) is not required
- 2XL PEX Stiffeners sold separately
- Fittings can be rotated after assembly for easier installation in tight places
- 1/4" push-fit connector ends require use of 3/8" OD CTS PEX, CPVC or hard drawn Type K, L and M and annealed Type M copper
- Chrome-plated copper cannot be used unless chrome is removed
- Always consult with local plumbing codes concerning specific applications
- Largest SKU selection in industry, sizes 1/4" - 2"
- All components are chloramine resistant
- Traceability - All products are stamped with a manufacturing date
- All fittings are made of Lead Free DZR Brass
- Pre-Loaded PEX stiffener to guarantee code connection every time
- Approved for burial

\*Fittings should be wrapped with an impervious material, chloride-free tape or tightly wrapped and sealed insulation works well to prevent direct contact with the backfill. Backfill should be free of rocks, debris or any sharp objects that may cause damage through impact or abrasion.

[www.sharkbite.com](http://www.sharkbite.com)

# CONTENTS

<b>THE SHARKBITE® CONNECTION SYSTEM</b>	<b>3</b>
SHARKBITE CORE FITTINGS	3
SHARKBITE RADIANT FITTINGS	6
SHARKBITE KITS	6
SHARKBITE ADDITIONAL PRODUCTS	6
SHARKBITE STOPS & FIXTURE SUPPLY FITTINGS	8
SHARKBITE TOOLS	9
<b>SHARKBITE® VALVES</b>	<b>9</b>
SHARKBITE BALL VALVES & CHECK VALVES	9
SHARKBITE PRESSURE REGULATING VALVES	10
SHARKBITE THERMOSTATIC MIXING VALVES	10
<b>SHARKBITE® PEX BARB FITTINGS</b>	<b>11</b>
SHARKBITE PEX BARB CORE FITTINGS	11
SHARKBITE PEX POLY ALLOY FITTINGS	14
SHARKBITE PEX BARB STOP & FIXTURE SUPPLY FITTINGS	15
SHARKBITE PEX BARB ACCESSORIES	15
SHARKBITE PEX BARB TOOLS	16
<b>SHARKBITE® PEX TUBING</b>	<b>17</b>
SHARKBITE POTABLE WATER PEX TUBING	17
SHARKBITE SPECIAL APPLICATION PEX TUBING	18
<b>THE SHARKBITE® 2XL CONNECTION SYSTEM</b>	<b>19</b>
SHARKBITE 2XL CORE FITTINGS	19
SHARKBITE 2XL BALL VALVES	20
SHARKBITE 2XL TOOLS & PEX STIFFENERS	20



# SHARKBITE PUSH-FIT PRODUCTS

The SharkBite® Push-Fit plumbing system is the easiest and most dependable way to join copper, CPVC or PEX pipe in any combination—with no soldering, clamps, unions or glue. When you insert a pipe into SharkBite quick connect fittings, the stainless steel teeth bite down and grip the pipe, while the specially formulated O-ring compresses to create a perfect seal.

With the easy to use disconnect tool, disassembly is just as fast so fittings and valves can be easily changed and reused. These quick connect fittings can even be rotated after assembly for easier installation in tight spaces.

Use for new installation and repair of potable water distribution systems. See Certifications on back cover.



Visit us online or on the go  
[www.sharkbite.com](http://www.sharkbite.com)

PRODUCT DESCRIPTION	PART NUMBER
<b>THE SHARKBITE® CONNECTION SYSTEM</b>	
<b>SHARKBITE CORE FITTINGS</b>	
<b>COUPLINGS</b>	
1/4" (3/8" OD) X 1/4" (3/8" OD) Lead Free	U004LF
3/8" (1/2" OD) X 3/8" (1/2" OD) Lead Free	U006LF
1/2" X 1/2" Lead Free	U008LF
3/4" X 3/4" Lead Free	U016LF
1" X 1" Lead Free	U020LF
<b>REDUCING COUPLINGS</b>	
1/4" (3/8" OD) X 1/2" Reducing Lead Free	U050LF
3/8" (1/2" OD) X 1/2" Reducing Lead Free	U009LF
3/4" X 1/2" Reducing Lead Free	U058LF
1" X 3/4" Reducing Lead Free	U060LF
<b>POLYBUTYLENE CONVERSION COUPLINGS</b>	
1/2" PB X 1/2" SB PB Conversion Coupling Lead Free	U4008LF
3/4" PB X 3/4" SB PB Conversion Coupling Lead Free	U4016LF

### SLIP FITTINGS

SharkBite Slip Couplings and Tees are ideal for repairing and tapping into existing rigid pipe lines. The Slip feature ensures the pipe is fully engaged into the fitting when the pipe is in a fixed position. Slip end is only suitable for use with copper and CPVC pipe.

#### SLIP COUPLINGS (SLIP END ONLY SUITABLE FOR COPPER AND CPVC)

Slip Couplings are the most efficient way to repair a burst pipe or leak. Slip fittings simply repair by doing the job that two couplings and extra pipe used to do. Only one end of the coupling has a stop, allowing the opposite end to slide freely over the end of a pipe. The fittings can then be released with a disconnect tool and slid back onto the other end of the pipe for a successful connection and leak repair.

1/2" X 1/2" Lead Free	U3008LF
3/4" X 3/4" Lead Free	U3016LF
1" X 1" Lead Free	U3020LF

#### SLIP TEES (SLIP END ONLY SUITABLE FOR COPPER AND CPVC)

Slip Tees are a great solution for tapping into existing pipe where additional supply lines are needed. Easily add an ice maker or dishwasher line using in conjunction with SharkBite Straight and Angle Stops.

1/2" X 1/2" X 1/2" Lead Free	U3362LF
3/4" X 3/4" X 3/4" Lead Free	U3370LF

#### FEMALE CENTRE SLIP TEES (SLIP END ONLY SUITABLE FOR COPPER AND CPVC)

1/2" X 1/2" X 1/2" FNPT Female Centre Lead Free	U3482LF
3/4" X 3/4" X 3/4" FNPT Female Centre Lead Free	U3486LF

#### SERVICE SLIP TEE ADAPTER (SLIP END ONLY SUITABLE FOR COPPER AND CPVC)

1/2" X 1/2" X 1/2" CTS Tail Adapter Service Line Tee Lead Free	U4482LF
--	---------

#### FEMALE CONNECTORS

1/4" (3/8" OD) X 1/2" FNPT Reducing Lead Free	U066LF
3/8" (1/2" OD) X 1/2" FNPT Reducing Lead Free	U070LF
1/2" X 3/4" FNPT Reducing Lead Free	U068LF
1/2" X 1/2" FNPT Straight Lead Free	U072LF
3/4" X 3/4" FNPT Straight Lead Free	U088LF
3/4" X 1/2" FNPT Bullnose Lead Free	U092LF
3/4" X 1" FNPT Straight Lead Free	U086LF
1" X 1" FNPT Straight Lead Free	U094LF





PRODUCT DESCRIPTION	PART NUMBER
<b>MALE CONNECTORS</b>	
1/4" X 1/2" MNPT Reducing Lead Free	U110LF
3/8" (1/2" OD) X 1/2" MNPT Reducing Lead Free	U118LF
1/2" X 3/4" MNPT Reducing Lead Free	U116LF
1/2" X 1/2" MNPT Straight Lead Free	U120LF
3/4" X 3/4" MNPT Straight Lead Free	U134LF
3/4" X 1/2" MNPT Bullnose Lead Free	U138LF
3/4" X 1" MNPT Straight Lead Free	U139LF
1" X 1" MNPT Straight Lead Free	U140LF
1" X 3/4" MNPT Reducing Lead Free	U142LF
<b>THREADED ADAPTERS</b>	
3/4" CTS X 3/4" FNPT Threaded Lead Free	U766LF
1" CTS X 1" FNPT Threaded Lead Free	U772LF
<b>ELBOWS</b>	
1/4" (3/8" OD) X 1/4" (3/8" OD) Lead Free	U244LF
3/8" (1/2" OD) X 3/8" (1/2" OD) Lead Free	U246LF
1/2" X 1/2" Lead Free	U248LF
3/4" X 3/4" Lead Free	U256LF
1" X 1" Lead Free	U260LF
<b>FEMALE ELBOWS</b>	
1/2" X 1/2" FNPT Lead Free	U308LF
3/4" X 3/4" FNPT Lead Free	U314LF
<b>MALE ELBOWS</b>	
1/2" X 1/2" MNPT Lead Free	U280LF
3/4" X 3/4" MNPT Lead Free	U286LF
<b>DISHWASHER ELBOWS</b>	
1/4" (3/8" OD) X 3/8" MNPT Dishwasher Lead Free	U276LF
1/4" (3/8" OD) X 3/4" Garden Hose Nut	U2276LF
1/2" X 3/8" MNPT Dishwasher Lead Free	U281LF
<b>REDUCING ELBOWS</b>	
1/2" X 3/8" (1/2" OD) Lead Free	U272LF
3/4" X 1/2" Lead Free	U274LF
1" X 3/4" Lead Free	U278LF

SHARKBITE REDUCING TEE  
PAGE 5



PRODUCT DESCRIPTION	PART NUMBER
<b>DROP-EAR ELBOWS</b>	
3/8" (1/2" OD) X 1/2" FNPT Drop Ear Lead Free	U332LF
1/2" X 1/2" Drop Ear Lead Free	U249LF
1/2" X 1/2" FNPT Drop Ear Lead Free	U334LF
3/4" X 3/4" FNPT Drop Ear Lead Free	U340LF
<b>HY-EAR EAR ELBOWS</b>	
1/2" X 1/2" Hy-Ear Lead Free	U335LF
<b>TEES</b>	
1/4" (3/8" OD) X 1/4" (3/8" OD) X 1/4" (3/8" OD) Lead Free	U358LF
3/8" (1/2" OD) X 3/8" (1/2" OD) X 3/8" (1/2" OD) Lead Free	U360LF
1/2" X 1/2" X 1/2" Lead Free	U362LF
3/4" X 3/4" X 3/4" Lead Free	U370LF
1" X 1" X 1" Lead Free	U374LF
<b>REDUCING TEES</b>	
3/8" (1/2" OD) X 3/8" (1/2" OD) X 1/2" Reducing Lead Free	U364LF
1/2" X 1/2" X 1/4" (3/8" OD) Reducing Lead Free	U359LF
1/2" X 1/2" X 3/8" (1/2" OD) Reducing Lead Free	U363LF
3/4" X 3/4" X 1/2" Reducing Lead Free	U412LF
3/4" X 1/2" X 3/4" Reducing Lead Free	U444LF
3/4" X 1/2" X 1/2" Reducing Lead Free	U454LF
1" X 1" X 3/4" Reducing Lead Free	U416LF
<b>FEMALE CENTRE TEES (REFER TO SLIP TEES ON PAGE 3 FOR ADDITIONAL INSTALLATION OPTIONS)</b>	
3/4" X 3/4" X 3/4" FNPT Lead Free	U462LF
1" X 1" X 1" FNPT Lead Free	U464LF
<b>END CAPS</b>	
3/8" (1/2" OD) Lead Free	U512LF
1/2" Lead Free	U514LF
3/4" Lead Free	U518LF
1" Lead Free	U520LF
<b>FITTING REDUCERS (USE TO CONNECT TO SMALLER PIPE SIZES)</b>	
3/8" (1/2" OD) X 1/2" CTS Lead Free	U719LF
3/8" (1/2" OD) X 3/4" CTS Lead Free	U721LF
1/2" X 1" CTS Lead Free	U722LF
3/4" X 1" CTS Lead Free	U724LF
<b>STUB-OUT ELBOWS</b>	
The SharkBite Stub-Out Elbows come with pre-fitted mounting brackets that provide four fixed installation positions on all wooden surfaces (studs, joists and subfloors) by simply rotating or repositioning the mounting bracket.	
1/2" SB X 1/2" Copper Tube 8" Length Lead Free	U351LFA





PRODUCT DESCRIPTION	PART NUMBER
<b>SHARKBITE RADIANT FITTINGS</b>	
<b>RADIANT FITTINGS (NON-POTABLE WATER APPLICATION)</b> Non-potable water application fittings are manufactured with standard DZR brass.	
5/8" X 5/8" Coupling	U012
3/4" X 5/8" Reducing Coupling	U057
5/8" X 3/4" MNPT Reducing Adapter	U126
5/8" X 5/8" Elbow	U252
3/4" X 5/8" Elbow	U273
5/8" X 5/8" X 5/8" Tee	U366
5/8" End Stop	U516

<b>SHARKBITE KITS</b>	
<b>WATER HEATER INSTALLATION KITS (KITS INCLUDE 2 SHARKBITE CONNECTOR FITTINGS AND A DISCONNECT CLIP)</b>	
1/2" X 3/4" FNPT Lead Free	22604LF
3/4" X 3/4" FNPT Lead Free	22441LF
<b>CONTRACTOR KITS (KIT INCLUDES ORANGE TOOLBOX)</b> These SharkBite Kits include a variety of push-fit fittings, disconnect tongs and clips, and a sturdy case for storage and transport.	
Contractor Kit: 2 each (U008LF, U016LF, U058LF, U072LF, U088LF, U120LF, U134LF, U248LF, U256LF) and 1 each (U362LF, U370LF, U514LF, U518LF, U710, U711, U713 and U702)	22486LF
Contractor Tool Box Only	U3001A
<b>FAUCET AND TOILET KITS</b> Faucet kits come with 2 faucet connectors, 2 straight or angle stops and 2 coils of 5' 1/4" PEX tubing. Toilet kits come with 1 toilet connector, 1 straight or angle stop and 1 coil of 5' 1/4" PEX tubing.	
Faucet with Angle Stop Lead Free	23387
Faucet with Straight Stop Lead Free	23388
Toilet with Angle Stop Lead Free	23389
Toilet with Straight Stop Lead Free	23390
<b>ICE MAKER CONNECTION KIT</b>	
Ice Maker Connection Kit	<b>NEW</b> 25024

<b>SHARKBITE ADDITIONAL PRODUCTS</b>	
<b>MANIFOLDS WITH PUSH-FIT BRANCHES</b> Manifolds are traditionally used in PEX systems, but this SharkBite manifold will allow easy incorporation into copper or CPVC systems. Use SharkBite push-fit fittings to install these manifolds anywhere in a plumbing system. All manifolds have a 1" trunk with 3/4" tube inlets and outlets and 1/2" push-fit ports (2" on center).	
3 Port - Open 1" trunk, 3/4" X 3/4", 3 - 1/2" branches 2" on center Lead Free	22995LF
3 Port - Closed 1" trunk, 3/4" X Spun Closed, 3 - 1/2" branches 2" on center Lead Free	22996LF
4 Port - Open 1" trunk, 3/4" X 3/4", 4 - 1/2" branches 2" on center Lead Free	22997LF
4 Port - Closed 1" trunk, 3/4" X Spun Closed, 4 - 1/2" branches 2" on center Lead Free	22998LF
<b>WATER HAMMER ARRESTORS</b> Proves maintenance free, continuous protection against water hammer. The arrester can be positioned vertically or horizontally and installed in seconds using SharkBite connectors.	
1/2" Residential Lead Free	22630LF
1/2" Commercial Lead Free	22631LF
3/4" Residential Lead Free	22632LF
1" Commercial Lead Free	22633LF



**PRODUCT DESCRIPTION**

**PART NUMBER**

**FLEXIBLE CONNECTORS**

The SharkBite Flexible Connectors are used in residential and commercial applications to easily connect pipe in any combination. The connectors are EPDM knitted with braided stainless steel. The SharkBite fitting allows the installer to connect to copper, CPVC and PEX tubing eliminating the need for an additional transition fitting.

**FLEXIBLE WATER HEATER CONNECTORS**

The SharkBite Water Heater Connectors are used in residential and commercial applications to connect the hot and cold supply lines to the water heater. The connectors are available in 12", 15", 18" and 24" lengths (with and without ball valve).

1/2" X 3/4" FIP, 12" Stainless Steel Braided Water Heater Connector Lead Free	U3068FLEX12LF
1/2" X 3/4" FIP, 15" Stainless Steel Braided Water Heater Connector Lead Free	U3068FLEX15LF
1/2" X 3/4" FIP, 18" Stainless Steel Braided Water Heater Connector Lead Free	U3068FLEX18LF
1/2" X 3/4" FIP, 24" Stainless Steel Braided Water Heater Connector Lead Free	U3068FLEX24LF
3/4" X 3/4" FIP, 12" Stainless Steel Braided Water Heater Connector Lead Free	U3088FLEX12LF
3/4" X 3/4" FIP, 15" Stainless Steel Braided Water Heater Connector Lead Free	U3088FLEX15LF
3/4" X 3/4" FIP, 18" Stainless Steel Braided Water Heater Connector Lead Free	U3088FLEX18LF
3/4" X 3/4" FIP, 24" Stainless Steel Braided Water Heater Connector Lead Free	U3088FLEX24LF

**FLEXIBLE WATER HEATER CONNECTORS WITH BALL VALVE**

1/2" X 3/4" FIP, 18" Stainless Steel Braided Water Heater Connector with Ball Valve Lead Free	U3068FLEX18BVLF
3/4" X 3/4" FIP, 18" Stainless Steel Braided Water Heater Connector with Ball Valve Lead Free	U3088FLEX18BVLF

**FLEXIBLE COUPLING HOSES**

1/2" X 1/2", 18" Lead Free	U3008FLEX18LF
3/4" X 3/4", 18" Lead Free	U3016FLEX18LF

**CORRUGATED STAINLESS STEEL (COMING SOON)**

3/4" x 3/4" F x 18" LG	<b>NEW</b>	SS3088FLEX18LF
3/4" x 3/4" F x 24" LG	<b>NEW</b>	SS3088FLEX24LF
3/4" x 1" F x 24" LG	<b>NEW</b>	SS3086FLEX24LF
1" x 3/4" F x 24" LG	<b>NEW</b>	SS3096FLEX24LF

**WATER SOFTENER HOSES**

The SharkBite Water Softener Hose can be used for connection of new water softeners or replacement of existing connectors. The 3/4" SharkBite x 1" FIP swivel nut connectors makes for quick and easy installation.

3/4" X 1" F, 24" Lead Free	U3086FLEX24LF
----------------------------	---------------

**WATER SOFTENER FITTINGS**

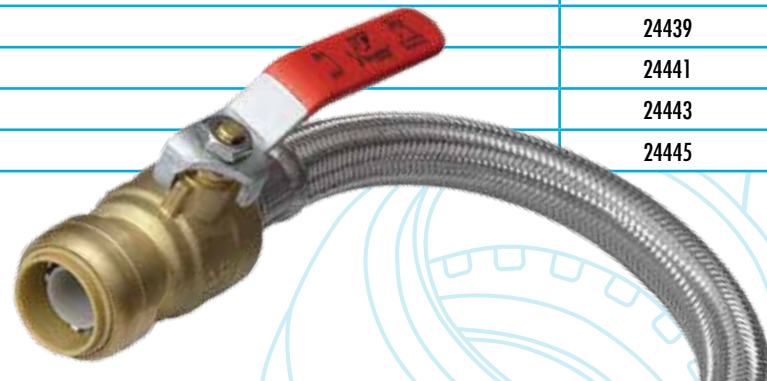
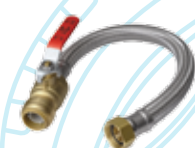
3/4" X 1" F Lead Free	U086LF
-----------------------	--------

**PRESSURE GAUGES**

with 1/2" Tee Lead Free	24436
with 3/4" Tee Lead Free	24438
with 1" Tee Lead Free	24440
with 1/2" CTS Lead Free	24442
with 3/4" CTS Lead Free	24444

**TEMPERATURE GAUGES**

with 1/2" Tee Lead Free	24437
with 3/4" Tee Lead Free	24439
with 1" Tee Lead Free	24441
with 1/2" CTS Lead Free	24443
with 3/4" CTS Lead Free	24445



**SHARKBITE FLEXIBLE WATER HEATER CONNECTOR WITH BALL VALVE**  
PAGE 7

## PRODUCT DESCRIPTION

## PART NUMBER

## SHARKBITE STOPS &amp; FIXTURE SUPPLY FITTINGS

Connecting supply lines to fixtures and appliances using these new SharkBite products brings the speed and convenience of push-fit connections to the final phase of your plumbing jobs. Regular and chrome plated fittings are now available, including the newest 1/2" X 1/4" (3/8" OD) SharkBite stop valves. Stops in 1/2" X 3/8" or 1/4" compression sizes are also available. With these new SharkBite push-fit fittings, stop valves and the 5' lengths or 50' coils of 1/4" (3/8" OD) PEX tubing, it's easy to make risers the exact length needed for connecting fixtures and appliances. No more problems with flexible lines that are too long or too short.

## ANGLE STOPS

1/2" X 3/8" Compression Angle Stop Lead Free		23036-0000LF
1/2" X 3/8" Compression Loose Key Lead Free	<b>NEW</b>	24731LF
1/2" X 1/4" (3/8" OD) Angle Stop Lead Free		23048-0000LF
1/2" X 1/4" (3/8" OD) Loose Key Lead Free	<b>NEW</b>	24733LF
1/2" X 1/4" Compression Angle Stop Lead Free		23336-0000LF
1/2" X 1/2" Compression Angle Stop Lead Free		23489

## STRAIGHT STOPS

1/2" X 3/8" Compression Straight Stop Lead Free		23037-0000LF
1/2" X 3/8" Compression Loose Key Lead Free	<b>NEW</b>	24732LF
1/2" X 1/4" (3/8" OD) Straight Stop Lead Free		23049-0000LF
1/2" X 1/4" (3/8" OD) Loose Key Lead Free	<b>NEW</b>	24734LF
1/2" X 1/4" Compression Straight Stop Lead Free		23337-0000LF
1/2" X 1/2" Compression Straight Stop Lead Free		23490

## STOP VALVE CONNECTORS

1/4" (3/8" OD) X 3/8" Compression Stop Valve Connector Lead Free (Converts 3/8" comp stop to SharkBite)		U3523LF
1/4" (3/8" OD) X 1/4" Compression Nut Lead Free	<b>NEW</b>	U3524LF

## STOP VALVE TEE ADAPTERS

1/4" (3/8" OD) X 1/4" (3/8" OD) X 3/8" Compression Stop Valve Tee Adaptor Lead Free		U3358LF
1/4" (3/8" OD) X 1/4" (3/8" OD) X 1/4" (3/8" OD) Tube Stop Valve Tee Adapter Lead Free		U4358LF

## DUAL TEE STOP VALVE ADAPTERS

Insert onto Stub-Out then fit any of the eight SharkBite Stop Valves to create any combination desired.

1/2" CTS X 1/2" CTS X 1/2" Dual Tee Stop Valve Adapter Lead Free		U782LF
--	--	--------

## FAUCET CONNECTORS

1/4" (3/8" OD) X 1/2" Threaded Faucet Connector Lead Free		U3525LF
---	--	---------

## TOILET CONNECTORS

1/4" (3/8" OD) X 7/8" Ballcock Threads Toilet Connector Lead Free		U3531LF
1/4" (3/8" OD) X 7/8" Ballcock Threads Toilet Elbow Lead Free		U3537LF

## FAUCET AND TOILET KITS

Faucet kits come with 2 faucet connectors, 2 straight or angle stops and 2 coils of 5' 1/4" PEX tubing.  
Toilet kits come with 1 toilet connector, 1 straight or angle stop and 1 coil of 5' 1/4" PEX tubing.

Faucet with Angle Stop Lead Free		23387
Faucet with Straight Stop Lead Free		23388
Toilet with Angle Stop Lead Free		23389
Toilet with Straight Stop Lead Free		23390



PRODUCT DESCRIPTION	PART NUMBER
<b>SHARKBITE TOOLS</b>	
<b>DEBURRING &amp; GAUGE TOOL</b>	
Deburring and Depth Gauge Tool (Use for 1/4", 3/8", 1/2", 5/8", 3/4" and 1" copper)	U702
<b>DISCONNECT CLIPS</b>	
1/4" Disconnect Clip	U706
3/8" Disconnect Clip	U708
1/2" Disconnect Clip	U710
5/8" Disconnect Clip	U3712
3/4" Disconnect Clip	U712
1" Disconnect Clip	U714
<b>DISCONNECT TONGS</b>	
1/2" Disconnect Tong	U711
3/4" Disconnect Tong	U713
1" Disconnect Tong	U715



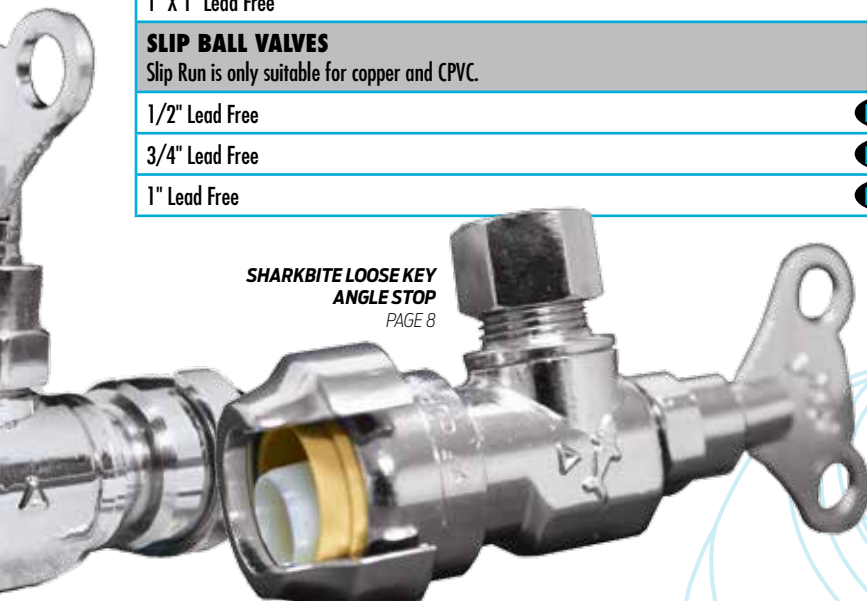
## SHARKBITE® VALVES

### SHARKBITE BALL VALVES & CHECK VALVES

<b>BALL VALVES SHARKBITE X SHARKBITE</b>		
1/2" X 1/2" Lead Free		22222-0000LF
3/4" X 3/4" Lead Free		22185-0000LF
1" X 1" Lead Free		22223-0000LF
<b>BALL VALVES SHARKBITE X FNPT</b>		
1/2" SharkBite X 1/2" FNPT Lead Free		22182-0000LF
3/4" SharkBite X 3/4" FNPT Lead Free		22186-0000LF
1" SharkBite X 1" FNPT Lead Free		22187-0000LF
<b>BALL VALVES WITH DRAIN/VENT</b>		
1/2" with drain Lead Free		22304-0000LF
3/4" with drain Lead Free		22305-0000LF
1" with drain Lead Free		22306-0000LF
<b>CHECK VALVES</b>		
1/2" X 1/2" Lead Free		U2008-0000LF
3/4" X 3/4" Lead Free		U2016-0000LF
1" X 1" Lead Free		U2020-0000LF
<b>SLIP BALL VALVES</b> Slip Run is only suitable for copper and CPVC.		
1/2" Lead Free	<b>NEW</b>	24735LF
3/4" Lead Free	<b>NEW</b>	24736LF
1" Lead Free	<b>NEW</b>	24737LF



SHARKBITE LOOSE KEY  
ANGLE STOP  
PAGE 8



## PRODUCT DESCRIPTION

## PART NUMBER

## SHARKBITE PRESSURE REGULATING VALVES

The innovative, labor reducing EB25 and the EB45 pressure reducing regulators are available with double union and direct SharkBite connectors. The EB25 is set at 45 psi and features a twist cap with a numerical pressure indicator for easy one-man adjustment. The EB45 is factory set at 45 or 60 psi and is adjustable to 10-70 psi.



## EB45 LEAD FREE SHARKBITE CONNECTIONS

1/2" EB45-DSB Direct SharkBite	<b>NEW</b>	23807-0045
1/2" EB45-DUSB Double Union SharkBite		23893-0045
3/4" EB45-DSB Direct SharkBite	<b>NEW</b>	23808-0045
3/4" EB45-DUSB Double Union SharkBite		23894-0045
1" EB45-DSB Direct SharkBite		22675-0045
1" EB45-DUSB Double Union SharkBite		23358-0045

## EB45 LEAD FREE SHARKBITE CONNECTIONS W/ SLIP FEATURE

1/2" EB45-SDSB Slip Feature Direct SharkBite	<b>NEW</b>	24383-0045
3/4" EB45-SDSB Slip Feature Direct SharkBite	<b>NEW</b>	24384-0045

## EB25 LEAD FREE SHARKBITE CONNECTIONS

3/4" EB25-DUSB Double Union SharkBite		23955-0045
1" EB25-DUSB Double Union SharkBite		23956-0045

## SHARKBITE THERMOSTATIC MIXING VALVES

Direct or double union SharkBite push-fit connectors provide a simplified, time and labor saving installation. Heatguard® valves deliver water at a safe 120°F (49°C) or lower from all outlets, while allowing the thermostat to be set at a germ-killing 140°F (60°C) or higher which aids in preventing the growth of legionella bacteria in the water heater. The higher tank temperature means hot water demands can be satisfied longer. Every valve is tested for performance and includes a unique adjuster tool that minimizes tampering with the valve setting. Rugged, simple construction incorporates a precise engineered polymer piston and the latest in thermostatic technology.



## HG110-D LEAD FREE (ASSE 1070, 1017 &amp; 1069, DISTRIBUTION AND IN-LINE)

1/2" HG110-D with SharkBite Connections	<b>TRIPLE LISTED!</b>	<b>NEW</b>	24504
3/4" HG110-D with SharkBite Connections		<b>NEW</b>	24505

## HG160 LEAD FREE (ASSE 1070 &amp; 1069, IN-LINE)

1/2" HG160 with SharkBite Connections		<b>NEW</b>	24529
3/4" HG160 with SharkBite Connections		<b>NEW</b>	24530

EB45 LEAD FREE SHARKBITE CONNECTION W/ SLIP FEATURE  
PAGE 10



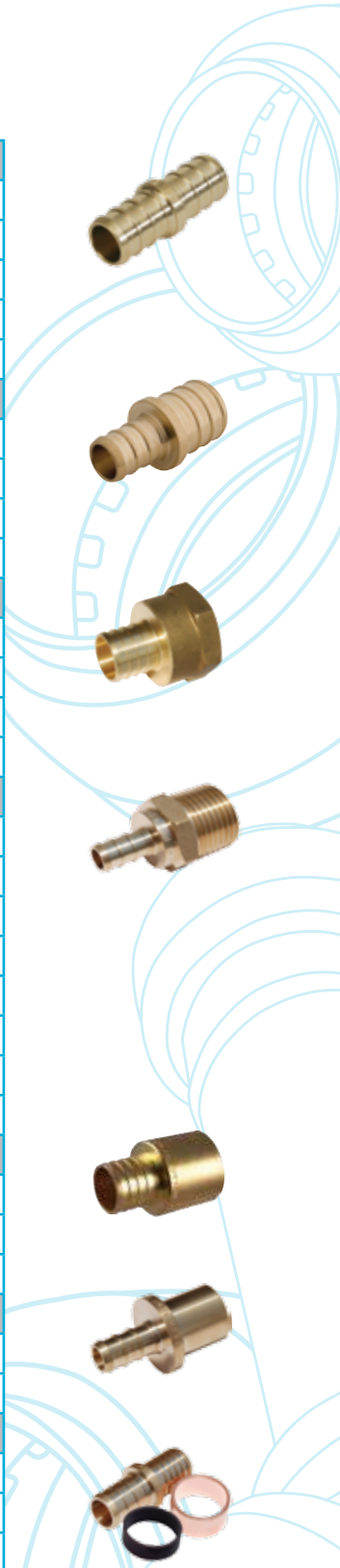
PRODUCT DESCRIPTION	PART NUMBER
---------------------	-------------

## SHARKBITE® PEX BARB FITTINGS

### SHARKBITE PEX BARB CORE FITTINGS

The SharkBite PEX/Barb Connection System is the best option for connecting PEX tubing in water distribution systems when lower material cost is desired. Robustly constructed with Lead Free DZR brass, the SharkBite Barb fittings are corrosion resistant. With a wide range of fittings, manifolds, valves, clamp rings, crimp rings, ball valves and tools available, the SharkBite PEX/Barb Connection System is perfect for your next plumbing project.

COUPLINGS	
3/8" Lead Free	UC006LF
1/2" Lead Free	UC008LF
5/8" Lead Free	UC012LF
3/4" Lead Free	UC016LF
1" Lead Free	UC020LF
REDUCING COUPLINGS	
3/8" X 1/2" Reducing Lead Free	UC009LF
1/2" X 3/4" Reducing Lead Free	UC058LF
3/4" X 5/8" Reducing Lead Free	UC057LF
3/4" X 1" Reducing Lead Free	UC060LF
THREADED FEMALE ADAPTERS	
1/2" X 3/4" FNPT Lead Free	UC068LF
1/2" X 1/2" FNPT Lead Free	UC072LF
3/4" X 3/4" FNPT Lead Free	UC088LF
1" X 1" FNPT Lead Free	UC094LF
THREADED MALE ADAPTERS	
1/2" X 3/4" MNPT Lead Free	UC116LF
3/8" X 1/2" MNPT Lead Free	UC118LF
1/2" X 1/2" MNPT Lead Free	UC120LF
3/4" X 3/4" MNPT Lead Free	UC134LF
3/4" X 1/2" MNPT Lead Free	UC138LF
3/4" X 1" MNPT Lead Free	UC139LF
1" X 1" MNPT Lead Free	UC140LF
1" X 3/4" MNPT Lead Free	UC142LF
SWEAT FEMALE ADAPTERS	
1/2" X 1/2" Female Sweat Adapter Lead Free	UC600LF
3/4" X 3/4" Female Sweat Adapter Lead Free	UC606LF
1" X 1" Female Sweat Adapter Lead Free	UC605LF
SWEAT MALE ADAPTERS	
1/2" X 1/2" Male Sweat Adapter Lead Free	UC607LF
3/4" X 3/4" Male Sweat Adapter Lead Free	UC608LF
POLYBUTYLENE ADAPTERS (WITH PB CRIMP RING)	
3/8" PB Coupling Lead Free	UC4006LF
1/2" PB Coupling Lead Free	UC4008LF
3/4" PB Coupling Lead Free	UC4016LF



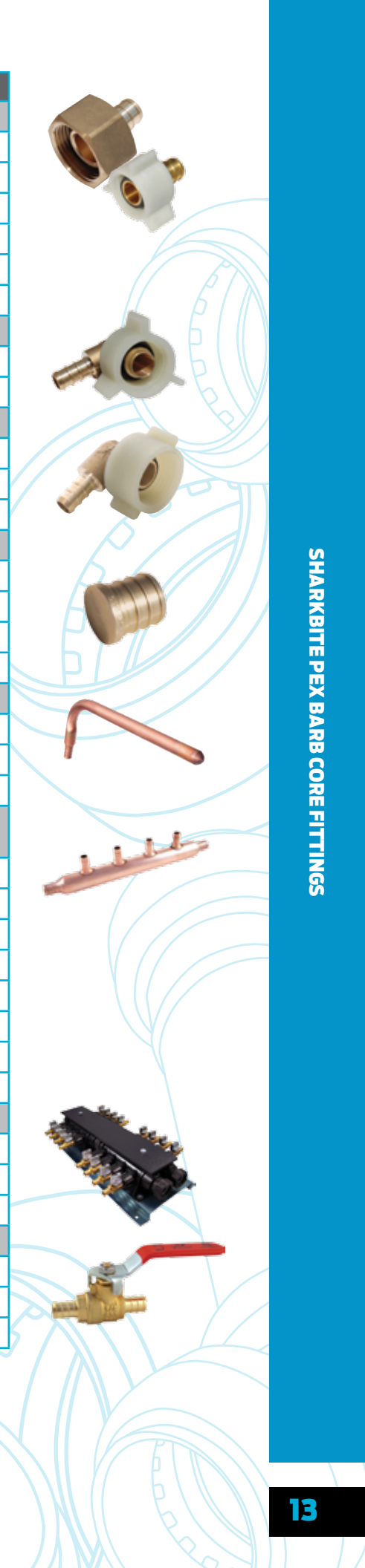


PRODUCT DESCRIPTION	PART NUMBER
<b>ELBOWS</b>	
3/8" X 3/8" Lead Free	UC246LF
1/2" X 1/2" Lead Free	UC248LF
3/4" X 3/4" Lead Free	UC256LF
1" X 1" Lead Free	UC260LF
<b>REDUCING ELBOWS</b>	
1/2" X 3/8" Lead Free	UC272LF
1/2" X 3/4" Lead Free	UC274LF
<b>DROP-EAR ELBOWS</b>	
1/2" X 1/2" FNPT Drop Ear Lead Free	UC334LF
3/4" X 3/4" FNPT Drop Ear Lead Free	UC340LF
3/4" X 1/2" FNPT Drop Ear Lead Free	UC342LF
<b>ADAPTER ELBOWS</b>	
1/2" X 1/2" MNPT Lead Free	UC280LF
1/2" X 3/4" MNPT Lead Free	UC278LF
3/4" X 3/4" MNPT Lead Free	UC286LF
3/4" X 3/4" Female Sweat Lead Free	UC626LF
3/4" X 3/4" Male Sweat Lead Free	UC628LF
<b>TEES</b>	
3/8" X 3/8" X 3/8" Lead Free	UC360LF
1/2" X 1/2" X 1/2" Lead Free	UC362LF
3/4" X 3/4" X 3/4" Lead Free	UC370LF
1" X 1" X 1" Lead Free	UC374LF
<b>BULLNOSE TEES</b>	
1/2" X 1/2" X 3/4" Bull Nose Lead Free	UC408LF
3/4" X 3/4" X 1" Bull Nose Lead Free	UC413LF
<b>REDUCING TEES</b>	
3/8" X 3/8" X 1/2" Reducing Lead Free	UC364LF
1/2" X 3/8" X 3/8" Reducing Lead Free	UC452LF
1/2" X 1/2" X 3/8" Reducing Lead Free	UC363LF
1/2" X 3/8" X 1/2" Reducing Lead Free	UC434LF
3/4" X 3/4" X 3/8" Reducing Lead Free	UC417LF
3/4" X 3/4" X 1/2" Reducing Lead Free	UC412LF
3/4" X 1/2" X 1/2" Reducing Lead Free	UC454LF
3/4" X 1/2" X 3/4" Reducing Lead Free	UC444LF
1" X 3/4" X 3/4" Reducing Lead Free	UC414LF
1" X 1" X 1/2" Reducing Lead Free	UC415LF
1" X 1" X 3/4" Reducing Lead Free	UC416LF
1" X 3/4" X 1" Reducing Lead Free	UC418LF



SHARKBITE BARB BALL VALVE  
PAGE 13

PRODUCT DESCRIPTION	PART NUMBER
<b>SWIVEL ADAPTERS</b>	
3/8" X 3/8" FNPT Swivel Adapter Lead Free	UC527LF
1/2" X 1/2" FNPT Swivel Adapter Lead Free	UC526LF
1/2" X 3/4" FNPT Swivel Adapter Lead Free	UC534LF
3/4" X 3/4" FNPT Swivel Adapter Lead Free	UC530LF
3/4" X 1" Swivel Adapter Lead Free	UC529LF
1" X 1" FNPT Swivel Adapter Lead Free	UC594LF
<b>SWIVEL ELBOWS</b>	
3/8" X 1/2" FNPT Swivel Elbow Lead Free	UC531LF
1/2" X 1/2" FNPT Swivel Elbow Lead Free	UC532LF
<b>SWIVEL TOILET CONNECTION ELBOWS</b>	
1/2" X 7/8" Straight Swivel Toilet Connectors Lead Free	UC528LF
3/8" X 7/8" Elbow Swivel Toilet Connectors Lead Free	23068LF
1/2" X 7/8" Elbow Swivel Toilet Connectors Lead Free	23067LF
<b>PLUGS</b>	
3/8" Lead Free	UC512LF
1/2" Lead Free	UC514LF
3/4" Lead Free	UC518LF
1" Lead Free	UC520LF
<b>COPPER STUB OUT ELBOWS (ALL COPPER STUB OUT ELBOWS ARE LEAD FREE)</b>	
1/2" X Closed (4" X 8") Lead Free	22791
3/8" X 1/2" (4" X 4") Lead Free	23069
1/2" X 1/2" (4" X 4") Lead Free	23070
<b>COPPER MANIFOLDS WITH BARB BRANCHES (1" TRUNK WITH 3/4" BARB INLETS &amp; OUTLETS AND 1/2" BARB PORTS – 2" ON CENTER)</b>	
3 Port Closed Lead Free	22783
3 Port Open Lead Free	22784
4 Port Closed Lead Free	22785
4 Port Open Lead Free	22786
6 Port Closed Lead Free	22787
6 Port Open Lead Free	22788
8 Port Closed Lead Free	22789
8 Port Open Lead Free	22790
<b>BARB MANIFOLDS WITH BALL VALVES</b>	
Manifold 16 Port with Ball Valves Lead Free	RM22716
Manifold 20 Port with Ball Valves Lead Free	RM22720
Manifold 24 Port with Ball Valves Lead Free	RM22724
<b>BARB BALL VALVES</b>	
1/2" Lead Free	22461LF
3/4" Lead Free	22462LF
1" Lead Free	22463LF





## PRODUCT DESCRIPTION

## PART NUMBER

## SHARKBITE PEX POLY ALLOY FITTINGS

The SharkBite PEX Poly Alloy Fittings range is an advanced plumbing solution when corrosion may effect DZR Brass products.

## COUPLINGS

1/2" Straight Coupling Lead Free	UP008
3/4" Straight Coupling Lead Free	UP016
1" Straight Coupling Lead Free	<b>NEW</b> UP020

## REDUCING COUPLINGS

3/4" X 1/2" Reducing Coupling Lead Free	UP058
1" X 3/4" Reducing Coupling Lead Free	<b>NEW</b> UP060

## CONNECTORS

1/2" X 1/2" MNPT Straight Connector Lead Free	UP120
3/4" X 3/4" MNPT Straight Connector Lead Free	UP134
1" X 1" MNPT Straight Connector Lead Free	<b>NEW</b> UP140

## REDUCING CONNECTORS

3/4" X 1/2" MNPT Reducing Connector Lead Free	UP138
---	-------

## ELBOWS

1/2" Elbow Lead Free	UP248
3/4" Elbow Lead Free	UP256
1" Elbow Lead Free	<b>NEW</b> UP260

## MALE ELBOWS

1/2" X 1/2" MNPT Elbow Lead Free	UP280
----------------------------------	-------

## REDUCING ELBOWS

3/4" X 1/2" Elbow Lead Free	UP274
-----------------------------	-------

## TEES

3/8" Tee Lead Free	UP360
1/2" Tee Lead Free	UP362
3/4" Tee Lead Free	UP370
1" Tee Lead Free	<b>NEW</b> UP374

## REDUCING TEES

1/2" X 1/2" X 3/4" Tee Lead Free	UP408
3/4" X 3/4" X 1/2" Tee Lead Free	UP412
3/4" X 1/2" X 3/4" Tee Lead Free	UP444
3/4" X 1/2" X 1/2" Tee Lead Free	UP454
1" X 3/4" X 3/4" Tee Lead Free	<b>NEW</b> UP414
1" X 1" X 1/2" Tee Lead Free	<b>NEW</b> UP415
1" X 1" X 3/4" Tee Lead Free	<b>NEW</b> UP416

## PLUGS

1/2" Plug Lead Free	UP514
3/4" Plug Lead Free	UP518
1" Plug Lead Free	<b>NEW</b> UP520

## ADAPTERS

1/2" Female Swivel Adapter Lead Free	UP526
3/8" Female Swivel Adapter Lead Free	UP527
1/2" X 1/2" Swivel Elbow Adapter Lead Free	UP532



PRODUCT DESCRIPTION	PART NUMBER
<b>SHARKBITE PEX BARB STOP &amp; FIXTURE SUPPLY FITTINGS</b>	
<b>PEX CHROME PLATED 1/4 TURN ANGLE STOPS</b>	
1/2" X 3/8" OD Compression Angle Stop (Quarter Turn) Lead Free	23058LF
1/2" X 1/4" OD Compression Angle Stop (Quarter Turn) Lead Free	23056LF
<b>PEX CHROME PLATED 1/4 TURN STRAIGHT STOPS</b>	
3/8" X 3/8" Straight Stop (Quarter Turn) Lead Free	23382LF
1/2" X 3/8" OD Compression Straight Stop (Quarter Turn) Lead Free	23057LF
<b>PEX CHROME PLATED STRAIGHT STOPS</b>	
1/2" X 3/8" Compression Straight Stop Lead Free	23059LF
1/2" X 3/8" Straight Stop Lead Free	23062LF
1/2" X 1/2" MPT Straight Stop Lead Free	23061LF
1/2" X 1/2" Straight Stop Lead Free	23063LF
<b>PEX CHROME PLATED ANGLE STOPS</b>	
1/2" X 3/8" Compression Angle Stop Lead Free	23060LF
1/2" X 3/4" MHT Angle Stop Lead Free	23064LF

<b>SHARKBITE PEX BARB ACCESSORIES</b>	
<b>CLAMP RINGS (STAINLESS STEEL)</b>	
3/8"	UC952
1/2"	UC953
5/8"	UC954
3/4"	UC955
1"	UC956
<b>CRIMP RINGS (COPPER)</b>	
3/8"	23101
1/2"	23102
3/4"	23103
1"	23104
<b>PEX BEND SUPPORTS, SUSPENSION CLAMPS AND INSULATORS</b>	
3/8" J Hook Pex Pipe Clamp	23065
1/2" J Hook Pex Pipe Clamp	23220
3/4" J Hook Pex Pipe Clamp	23221
1/2" Insulated Suspension Clamp	23071A10
3/4" Insulated Suspension Clamp	23072A10
1" Insulated Suspension Clamp	23073A10
1/2" Pipe Insulator	23074A10
3/4" Pipe Insulator	23075A10
1" Pipe Insulator	23076A10
1/2" Polymer Bend Support with mounting bracket	23050
3/4" Polymer Bend Support	23051
1/2" Metal Pipe Support	23053
3/4" Metal Pipe Support	23054



## PRODUCT DESCRIPTION

## PART NUMBER

## SHARKBITE PEX BARB TOOLS

SharkBite PEX/Barb tools provide everything needed to ensure a dependable trouble-free installation or repair of PEX/Barb Connection Systems. From our PEX crimp tool to our plastic tubing cutters, our line of rugged tools offer everything needed to cut, secure or remove PEX pipe.

**PEX CRIMP TOOLS**

3/8" Large PEX Crimp Tool

23077

1/2", 3/4" PEX Combo Crimp Tool

23251

3/8", 1/2", 3/4" PEX Pocket Crimp Tool

23383

**PEX CRIMP TOOL KITS**

PEX Crimp Tool Kit

23100

**CRIMP RING GAUGES**

3/8", 1/2", 3/4" PEX Crimp Ring Gauge

23080

**PEX CLAMP TOOLS**

PEX Clamp Tool One-hand Operation

UC961

PEX Clamp Tool Standard Handles

23081

**PEX TUBING CUTTERS**

PEX Tubing Cutter

U701

**CRIMP RING REMOVAL TOOL**

PEX Crimp Ring Removal Tool

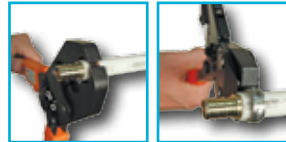
23055

**HOW TO INSTALL SHARKBITE PEX BARB PRODUCTS****CUT:**

Cut the pipe square removing rough edges and debris.

**SET:**

Slide the ring over the pipe and insert the fitting. Make sure the ring is 1/8" - 1/4" from the edge of the pipe.

**PRESS:**

Apply pressure to secure the ring over the pipe and fitting.

**DONE.**

SHARKBITE PEX TUBING COILS  
(RED, WHITE, BLUE)  
PAGE 17

PRODUCT DESCRIPTION	PART NUMBER	PART NUMBER	PART NUMBER
---------------------	-------------	-------------	-------------

## SHARKBITE® PEX TUBING

SharkBite PEX tubing is a cross-linked polyethylene tubing for a wide range of residential and commercial plumbing applications. Manufactured without an oxygen barrier for potable water systems and with an oxygen barrier for radiant floor and hydronic heating applications. A repeating SharkBite imprint pattern provides a visual aid to determine if the tube has been inserted all the way into the SharkBite Push-Fit Fitting. This feature only works if the tubing is cut between the SharkBite imprint pattern.

APPROVALS: The SharkBite tubing with and without oxygen barrier is approved for use in all model codes in the US and Canada for use in hydronic and potable water systems and is certified to the following standards: ASTM F876, ASTM F877, CSA B137.5 and AWWA C904.

### SHARKBITE POTABLE WATER PEX TUBING

GREY PEX TUBING (COILS)	GREY		
1/4" (3/8" OD) 50' Coil Grey Tubing	U850G50		
PEX TUBING (COILS)	WHITE	RED	BLUE
3/8" 50' Coil Tubing	U855W50		
3/8" 100' Coil Tubing	U855W100	U855R100	U855B100
1/2" 25' Coil Tubing	U860W25	U860R25	U860B25
1/2" 50' Coil Tubing	U860W50	U860R50	U860B50
1/2" 100' Coil Tubing	U860W100	U860R100	U860B100
1/2" 300' Coil Tubing	U860W300	U860R300	U860B300
1/2" 500' Coil Tubing	U860W500	U860R500	U860B500
3/4" 25' Coil Tubing	U870W25	U870R25	U870B25
3/4" 50' Coil Tubing	U870W50	U870R50	U870B50
3/4" 100' Coil Tubing	U870W100	U870R100	U870B100
3/4" 300' Coil Tubing	U870W300	U870R300	U870B300
3/4" 500' Coil Tubing	U870W500	U870R500	U870B500
1" 100' Coil Tubing	U880W100	U880R100	U880B100
1" 300' Coil Tubing	U880W300	U880R300	U880B300
1" 500' Coil Tubing	U880W500	U880R500	U880B500
1-1/4" 100' Coil Tubing	<b>NEW</b> U885W100		
1-1/2" 100' Coil Tubing	<b>NEW</b> U890W100		
2" 100' Coil Tubing	<b>NEW</b> U895W100		
GREY PEX TUBING (STRAIGHT LENGTHS)	GREY		
1/4" (3/8" OD) 5' Length Grey Tubing	U850G5		
PEX TUBING (STRAIGHT LENGTHS)	WHITE	RED	BLUE
3/8" 5' Length Tubing	U855W5		
3/8" 10' Length Tubing	U855W10		
1/2" 5' Length Tubing	U860W5	U860R5	U860B5
1/2" 10' Length Tubing	U860W10	U860R10	U860B10
1/2" 20' Length Tubing	U860W20	U860R20	U860B20
3/4" 5' Length Tubing	U870W5	U870R5	U870B5
3/4" 10' Length Tubing	U870W10	U870R10	U870B10
3/4" 20' Length Tubing	U870W20	U870R20	U870B20
1" 5' Length Tubing	U880W5	U880R5	U880B5
1" 10' Length Tubing	U880W10	U880R10	U880B10
1" 20' Length Tubing	U880W20	U880R20	U880B20
1-1/4" 20' Length Tubing	<b>NEW</b> U885W20		
1-1/2" 20' Length Tubing	<b>NEW</b> U890W20		
2" 20' Length Tubing	<b>NEW</b> U895W20		





PRODUCT DESCRIPTION	PART NUMBER
<b>SHARKBITE SPECIAL APPLICATION PEX TUBING</b>	
<b>INSULATED PEX TUBING</b> (FOR USE IN POTABLE WATER DISTRIBUTION SYSTEMS. AVAILABLE IN 100 FOOT COILS RANGING IN SIZE FROM 3/8" – 1" WITH CLOSED CELL 3/4" THICK POLYOLEFIN INSULATION.)	
SharkBite Pre-Insulated PEX tubing is a cross-linked polyethylene tubing for potable water distribution systems. Manufactured with a 3/4" polyolefin insulation, the SharkBite Insulated PEX tubing, reduces heat loss associated with un-insulated hot water piping thus increasing the efficiency of your hot water heater and lowering energy costs. The insulated pipe prevents condensation or frost formation on cold water pipe, reduces the risk of freezing pipe, and prevents heat gain on cold and chilled water lines.	
1/2" 100' Coil Insulated Tubing	U8601100
3/4" 100' Coil Insulated Tubing	U8701100
<b>RECLAIMED WATER PEX TUBING</b> (FOR USE WITH GRAY WATER, RAINWATER HARVESTING AND RECLAIMED WATER SYSTEMS ONLY. AVAILABLE IN 100 AND 300 FOOT PURPLE COILS RANGING IN SIZE FROM 1/2" – 1".)	
SharkBite Reclaimed Water PEX is cross-linked polyethylene tubing for gray water, rainwater harvesting and reclaimed water systems only. Manufactured with a purple color background, the tubing meets color code requirements of national and state code bodies to clearly identify reclaimed water lines. SharkBite Reclaimed Water PEX is manufactured and is available in 1/2" to 1".	
1/2" 100' Coil Purple Tubing	U860P100
1/2" 300' Coil Purple Tubing	U860P300
3/4" 100' Coil Purple Tubing	U870P100
3/4" 300' Coil Purple Tubing	U870P300
1" 100' Coil Purple Tubing	U880P100
1" 300' Coil Purple Tubing	U880P300
<b>OXYGEN BARRIER PEX TUBING (COILS AVAILABLE IN 100, 300, 500 AND 1000 FOOT COILS RANGING IN SIZE FROM 3/8" – 1".)</b>	
Use for underfloor radiant and hydronic heating applications. The oxygen diffusion barrier is applied to the exterior and limits oxygen permeation through the tubing wall in hydronic heating applications. This prevents corrosion of ferrous metal parts in the heating system.	
3/8" 100' Coil PEX Tubing Orange Color w/ Black Text	U8550100
3/8" 300' Coil PEX Tubing Orange Color w/ Black Text	U8550300
3/8" 500' Coil PEX Tubing Orange Color w/ Black Text	U8550500
1/2" 100' Coil PEX Tubing Orange Color w/ Black Text	U8600100
1/2" 300' Coil PEX Tubing Orange Color w/ Black Text	U8600300
1/2" 500' Coil PEX Tubing Orange Color w/ Black Text	U8600500
1/2" 1000' Coil PEX Tubing Orange Color w/ Black Text	U86001000
5/8" 300' Coil PEX Tubing Orange Color w/ Black Text	U8650300
3/4" 100' Coil PEX Tubing Orange Color w/ Black Text	U8700100
3/4" 300' Coil PEX Tubing Orange Color w/ Black Text	U8700300
3/4" 500' Coil PEX Tubing Orange Color w/ Black Text	U8700500
3/4" 1000' Coil PEX Tubing Orange Color w/ Black Text	U87001000
1" 100' Coil PEX Tubing Orange Color w/ Black Text	U8800100
1" 300' Coil PEX Tubing Orange Color w/ Black Text	U8800300
1" 500' Coil PEX Tubing Orange Color w/ Black Text	U8800500
<b>OXYGEN BARRIER PEX TUBING (STRAIGHT LENGTHS AVAILABLE IN 20 FOOT STICKS RANGING IN SIZE FROM 1/2" – 1".)</b>	
Use for radiant floor and hydronic heating applications. The oxygen diffusion barrier is applied to the exterior and limits oxygen permeation through the tubing wall in hydronic heating applications. This prevents corrosion of ferrous metal parts in the heating system.	
1/2" 20' Length O2 barrier PEX Tubing Orange Color	U860020
3/4" 20' Length O2 barrier PEX Tubing Orange Color	U870020
1" 20' Length O2 barrier PEX Tubing Orange Color	U880020

**THE SHARKBITE® 2XL CONNECTION SYSTEM**

SharkBite 2XL is an extensive range of SharkBite fittings and ball valves available in sizes 1-1/4", 1-1/2", and 2". The SharkBite 2XL is compatible with copper, PEX and CPVC pipe and is certified for use in commercial and residential applications for potable water, hydronic heating, chilled water and general water distribution for irrigation. Commercial applications demand simplicity and durability—SharkBite 2XL Fittings and Ball Valves deliver that solution.

**SHARKBITE 2XL CORE FITTINGS**

(FOR PEX APPLICATIONS, STIFFENERS ARE SOLD SEPARATELY)

**COUPLINGS**

1-1/4" X 1-1/4" Coupling Lead Free	SB0135
1-1/2" X 1-1/2" Coupling Lead Free	SB0141
2" X 2" Coupling Lead Free	SB0154

**SLIP COUPLINGS (SLIP END ONLY SUITABLE FOR COPPER AND CPVC)**

1-1/4" X 1-1/4" Slip Coupling Lead Free	SB0635
1-1/2" X 1-1/2" Slip Coupling Lead Free	SB0641
2" X 2" Slip Coupling Lead Free	SB0654

**REDUCING COUPLINGS**

1-1/4" X 1" Reducing Coupling Lead Free	SB013528
1-1/2" X 1-1/4" Reducing Coupling Lead Free	SB014135
2" X 1-1/2" Reducing Coupling Lead Free	SB015441

**FEMALE CONNECTORS**

1-1/4" X 1-1/4" FNPT Lead Free	SB113532F
1-1/2" X 1-1/2" FNPT Lead Free	SB114140F
2" X 2" FNPT Lead Free	SB115450F

**MALE CONNECTORS**

1-1/4" X 1-1/4" MNPT Lead Free	SB113532M
1-1/2" X 1-1/2" MNPT Lead Free	SB114140M
2" X 2" MNPT Lead Free	SB115450M

**END CAPS**

1-1/4" End Cap Lead Free	SB0435
1-1/2" End Cap Lead Free	SB0441
2" End Cap Lead Free	SB0454

**90° ELBOWS**

1-1/4" X 1-1/4" Elbow 90° Lead Free	SB0235
1-1/2" X 1-1/2" Elbow 90° Lead Free	SB0241
2" X 2" Elbow 90° Lead Free	SB0254

**45° ELBOWS**

1-1/4" X 1-1/4" Elbow 45° Lead Free	SB0535
1-1/2" X 1-1/2" Elbow 45° Lead Free	SB0541
2" X 2" Elbow 45° Lead Free	SB0554

**45° STREET ELBOWS**

1-1/4" X 1-1/4" Street Elbow 45° Lead Free	SB0735
1-1/2" X 1-1/2" Street Elbow 45° Lead Free	SB0741
2" X 2" Street Elbow 45° Lead Free	SB0754



SHARKBITE 2XL CORE FITTINGS



PRODUCT DESCRIPTION	PART NUMBER
<b>SLIP TEES (SLIP END ONLY SUITABLE FOR COPPER AND CPVC)</b>	
1-1/4" X 1-1/4" Slip Tee Lead Free	SB0335
1-1/2" X 1-1/2" Slip Tee Lead Free	SB0341
2" X 2" Slip Tee Lead Free	SB0354
<b>REDUCING SLIP TEES (SLIP END ONLY SUITABLE FOR COPPER AND CPVC)</b>	
1-1/4" X 1-1/4" X 1/2" Reducing Tee Lead Free	SB03353516
1-1/4" X 1-1/4" X 3/4" Reducing Tee Lead Free	SB03353522
1-1/4" X 1-1/4" X 1" Reducing Tee Lead Free	SB03353528
1-1/2" X 1-1/2" X 3/4" Reducing Tee Lead Free	SB03414122
1-1/2" X 1-1/2" X 1" Reducing Tee Lead Free	SB03414128
1-1/2" X 1-1/2" X 1-1/4" Reducing Tee Lead Free	SB03414135
2" X 2" X 1" Reducing Tee Lead Free	SB03545428
2" X 2" X 1-1/4" Reducing Tee Lead Free	SB03545435
2" X 2" X 1-1/2" Reducing Tee Lead Free	SB03545441

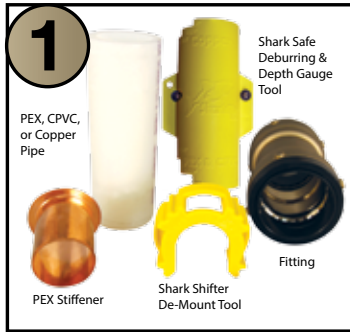
SHARKBITE 2XL BALL VALVES	
<b>BALL VALVES</b>	
SharkBite 1-1/4" Ball Valve Lead Free	SBBV35
SharkBite 1-1/2" Ball Valve Lead Free	SBBV41
SharkBite 2" Ball Valve Lead Free	SBBV54

SHARKBITE 2XL TOOLS & PEX STIFFENERS	
<b>LARGE DIAMETER PEX STIFFENERS</b>	
1-1/4" PEX Stiffener	SRTL35
1-1/2" PEX Stiffener	SRTL41
2" PEX Stiffener	SRTL54
<b>SHARK SHIFTER DE-MOUNT TOOLS</b>	
1-1/4" Shark Shifter De-Mount Tool	SBDC35
1-1/2" Shark Shifter De-Mount Tool	SBDC41
2" Shark Shifter De-Mount Tool	SBDC54
1-1/4", 1-1/2", 2" Shark Shifter De-Mount Tool Set	SBDC354154
<b>SHARK SAFE DEBURRING &amp; DEPTH GAUGE TOOL</b>	
1-1/4", 1-1/2", 2" Shark Safe Deburring & Depth Gauge Tool	SBG03 <b>NEW</b>

SHARKBITE 2XL REDUCING SLIP TEE  
PAGE 20



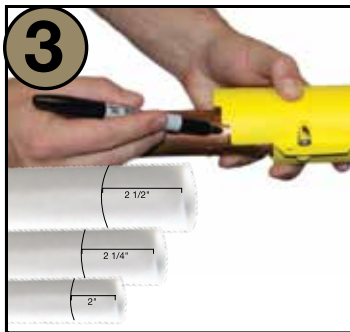
# CONNECTION



Make sure you have all tools required.



Cut copper, CPVC or PEX using a quality tube or pipe cutter with a sharp blade.



Remove burrs using the Shark Safe Deburring & Depth Gauge Tool (SBG03) and ensure pipe surface is free of scratches and any debris. It is critical that the pipe be marked using the Shark Safe Deburring & Depth Gauge Tool with the correct insertion depth as listed below;  
 1-1/4" Pipe Insertion Depth = 2"  
 1-1/2" Pipe Insertion Depth = 2-1/4"  
 2" Pipe Insertion Depth = 2-1/2"



Align pipe with the fitting and insert pipe while rotating either pipe or fitting.  
 SharkBite 2XL PEX Stiffener must be inserted into PEX pipe prior to fitting.



Connection is complete when pipe is fully inserted, and depth insertion marked on pipe is still visible at the head of the fitting.

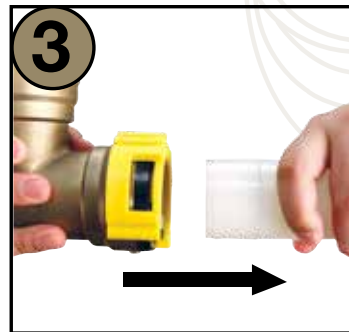
# DISCONNECTION



Apply Shark Shifter De-Mount Tool to pipe just above the connection then slide down to engage lugs on the head of the fitting.

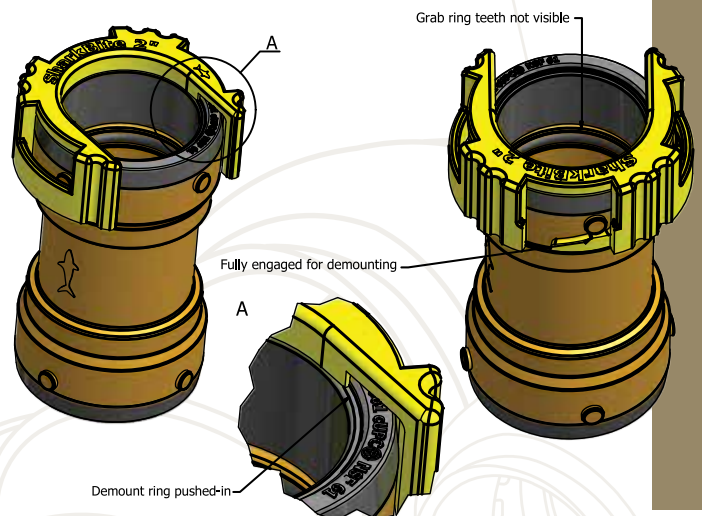


Rotate Shark Shifter De-Mount Tool clockwise to locate on lugs, rotate a further 1/2" to disconnect.



Withdraw pipe from fitting then rotate Shark Shifter De-Mount Tool counterclockwise to remove from fitting.

**Quality engineering—Recessed release collar guarantees NO accidental disconnection; connection can only be released with Shark Shifter Tool.**



# SLIP FEATURE FUNCTION

The slip feature function is unique to the SharkBite 2XL range and comes standard on all Slip Couplings and Tees.

Demonstrated below is the correct procedure for installing SharkBite Slip Couplings and Tees with the slip feature function into a 2" copper pipe.

*NOTE: PEX pipe can be used (requires a SharkBite PEX Stiffener pre-fitted to pipe) provided the Shark Shifter Tool is fitted to the slip end of the fitting prior to pipe insertion into fitting.*

## PROBLEM.

Identify the section of pipe to be removed for repair using a Slip Coupling or if you are tapping into an existing pipe line using a Slip Tee.

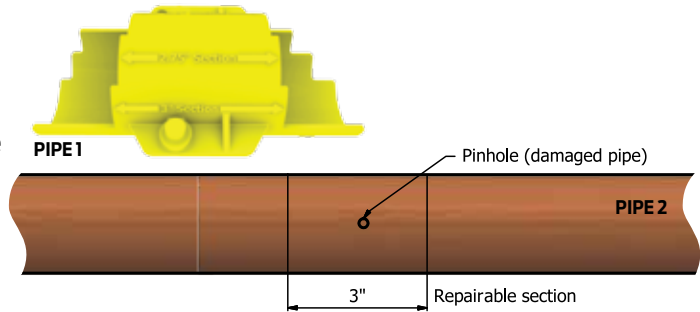
Mark section to be removed using the Shark Safe Deburring & Depth Gauge Tool (SBG03), or depending on the pipe size using a tape measure as per following:

1-1/4" Pipe repairable section 2-1/2".

1-1/2" Pipe repairable section 2-3/4".

**2" Pipe repairable section 3"**  
(Demonstrated here)

*The nominated 3" repairable section must be removed. A section smaller than 3" will not provide room to engage the second pipe and will partially block flow of the branch on a tee. Larger sections will create short engagement and installation failure.*



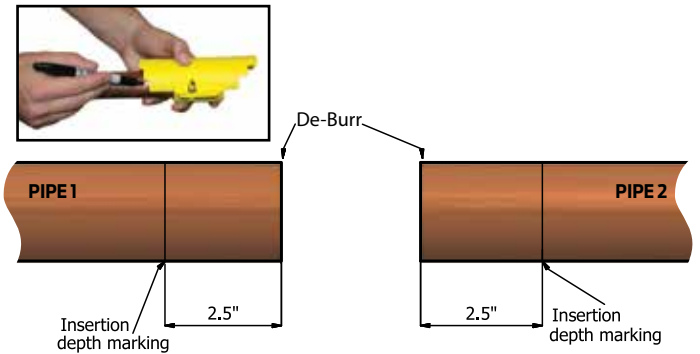
## CUT.

Cut out section using a quality tuber or pipe cutter with a sharp blade. Remove burrs using the Shark Safe Deburring & Depth Gauge Tool (SBG03) and ensure pipe surface is free of scratches and any debris. It is critical that both pipes be marked with the correct insertion depth as listed below:

1-1/4" Pipe Insertion Depth = 2".

1-1/2" Pipe Insertion Depth = 2-1/4".

**2" Pipe Insertion Depth = 2-1/2".**  
(Demonstrated here)



## PUSH.

All Slip Couplings and Tees come fitted with an instruction band at the slip end of the fitting stating:



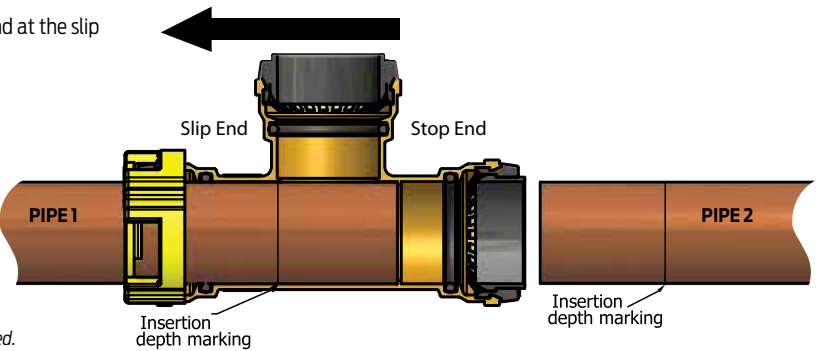
- SIZE OF PIPE for installation
- SIZE OF SECTION that can be removed
- INSERTION PIPE DEPTH on both pipes
- DIRECTION fitting is intended to move

Align PIPE 1 with the bore of the slip end of the fitting. Insert PIPE 1 while rotating either pipe or fitting until the stop end of the fitting is clear of PIPE 2.

*NOTE: At this point the bore of the branch of the tee is completely blocked.*

Engage Shark Shifter De-Mount Tool to the slip end of the fitting. The grab ring teeth are now disengaged allowing PIPE 1 to be withdrawn.

*Note: The Shark Shifter can be fitted prior to or after the slip end if engaged.*

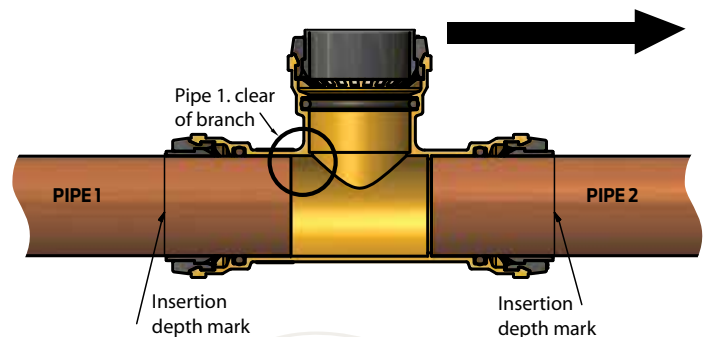


## DONE.

With the Shark Shifter Tool fitted to the slip end, withdraw PIPE 1 while allowing PIPE 2 to engage up to the insertion depth mark. Do not withdraw PIPE 1 any further than the denoted insertion depth mark.

*NOTE: Pipe is now clear of the branch allowing full flow.*

*You can now remove Shark Shifter De-Mount Tool from the slip end of the fitting.*





# LIMITED WARRANTY

## AND TERMS AND CONDITIONS OF SALE

Please refer to RWC's websites ([www.cashacme.com](http://www.cashacme.com), [www.sharkbite.com](http://www.sharkbite.com)) for information regarding the Limited Warranty and for the full Terms and Conditions of Sale. RWC reserves the right to modify the terms stated on the websites at its sole discretion.

As at the time of printing, Minimum Billing, Shipping Allowance and Return Goods Policy are as below. Please check the websites for updated terms and conditions.

- **MINIMUM BILLING:** A minimum billing charge of \$100.00 applies to shipments.
- **SHIPPING ALLOWANCE:** All sales are F.O.B. shipping point. Shipments of less than the amount listed below for the respective product groups are "prepaid and add". Shipments greater than those listed are "prepaid" when made at the lowest motor carrier rate, as determined by us, to all destinations within the continental USA (i.e. excluding Alaska, Hawaii and US territories).

PEX tubing	\$3,000
Backflow prevention devices 2-1/2" and larger	\$5,000
All other products	\$750

- **RETURN GOODS POLICY:** No material shall be returned without an R.G.A. number as assigned by RWC Customer Service. When credit is issued it will be at the price charged or current price if lower, less all applicable handling charges and fees (generally a minimum of 20%). Products which are obsolete or made to special order are not returnable.

# LEAD FREE\*



Lead Free  
Sin Plomo  
Sans Plomb

As of January 2014 a new Federal law came into effect that introduced a similar requirement across the whole country.

More information is available on our websites at:

[www.cashacme.com](http://www.cashacme.com)

[www.sharkbite.com](http://www.sharkbite.com)

In this document, products are marked "Lead Free" or "Non-Potable" as applicable.

- "Lead Free" indicates that a product is suitable for use in an application that is anticipated or intended to deliver water for human consumption.
- "Non-Potable" designates that a product is only suitable for applications that are not anticipated or intended to deliver water for human consumption.

If a product is not marked "Lead Free" or "Non-Potable" it is either:

- Not designed to come into contact with water (e.g. tools, crimp rings, pipe hangers), or
- It is a replacement part or component for a valve or piece of Original Equipment, where it is necessary for the function of that valve or equipment to use the identical specification component with which it was originally designed and certified.

\* A device is defined as Lead Free if its wetted surface has a weighted average lead content not exceeding 0.25%.

# FREQUENTLY ASKED QUESTIONS & ANSWERS FOR USING SHARKBITE FITTINGS

## Can I use SharkBite® for anything other than potable water?

Yes, in addition to potable water applications, SharkBite is also certified for radiant hydronic heating applications (up to 200°F). *NOTE: Glycol mixture for hydronics is acceptable up to and including 100%.*

## Can SharkBite be used repeatedly?

Fittings can be reused for testing purposes but any fitting used repeatedly for testing must not then be used in a permanent position.

The de-mount function of the fitting is designed for rectifying issues during installation or modification to existing plumbing work. It is not designed to be disconnected on a daily or weekly basis.

## Do you need the disconnect clip to remove SharkBite fittings?

Yes, the SharkBite disconnect clip is required to properly remove fittings in the SharkBite range.

## What types of pipe material can SharkBite fittings be used with?

SharkBite fittings are certified for use with copper, PEX, and CPVC only.

## Can a SharkBite fitting be rotated on a pipe?

Yes, the fitting can be rotated after assembly on a pipe and will not affect the integrity of the joint.

## Are SharkBite fittings approved for underground use?

Fittings should be wrapped with an impervious material, chloride-free tape or tightly wrapped and sealed insulation to prevent direct contact with the backfill. Backfill should be free of rocks, debris or any sharp objects that may cause damage through impact or abrasion. *NOTE: As with any plumbing project subject to inspection, it is always important to reference your local plumbing code.*

## What is the difference between Red, White, Blue, and Orange colored PEX pipe?

Red, White, and Blue PEX pipe are exactly the same, the different colors allow you to identify individual lines such as hot and cold. All three colors are certified for potable water applications while the Orange tubing is an oxygen barrier PEX pipe used for hydronic heating applications.

## What are the maximum temperature and pressure ratings for SharkBite fittings?

SharkBite fittings are certified to 200 psi and 200°F (93°C).

## How well do SharkBite joints hold up to freezing temperatures?

Neither brass nor metal fittings should be subject to freezing temperatures – SharkBite push-to-connect and Barb fittings are no different. Freezing temperatures may cause SharkBite fittings to fail.

## Do SharkBite fittings leak?

In general, SharkBite fittings only leak due to one of three reasons:

1. The pipe was not properly deburred prior to installation
2. The tubing was not properly inserted
3. Damages, marks or debris on the OD of the pipe

## Is the stiffener necessary for copper and CPVC and can the stiffener be removed?

The stiffener is necessary for use with PEX tubing. It is not required for copper or CPVC, however it is not necessary to remove stiffener from the fitting.

## What is the insertion depth for the SharkBite fittings?

Insertion depth will depend on the size of the fitting:

- 1/4" (3/8" OD) Pipe Insertion Depth = 3/4"
- 3/8" (1/2" OD) Pipe Insertion Depth = 3/4"
- 1/2" Pipe Insertion Depth = 7/8"
- 5/8" Pipe Insertion Depth = 1"
- 3/4" Pipe Insertion Depth = 1"
- 1" Pipe Insertion Depth = 1-1/4"

## What is the insertion depth for the SharkBite 2XL fittings?

Insertion depth will depend on the size of the fitting:

- 1-1/4" Pipe Insertion Depth = 2"
- 1-1/2" Pipe Insertion Depth = 2-1/4"
- 2" Pipe Insertion Depth = 2-1/2"

## Is there a minimum order amount?

Yes, the minimum order amount is \$100.00.

## How close can I solder/sweat copper near a SharkBite connection.

Do NOT solder next to SharkBite connection. If you are soldering/sweating copper pipe, solder/sweat all connections first and then make the SharkBite connections.

## How do I know if all connections are made correctly?

Always test with water or air on completion and before covering the pipe.

## What steps should be taken for a pipe that will not engage with a SharkBite fitting?

If the pipe is difficult to insert or will not engage into the fitting, do not force the connection! Simply remove, and check for obstructions.

## Do SharkBite connections require additional lubrication?

The O-ring, a key component of the SharkBite fitting, is pre-lubricated during manufacturing and no additional lubricants need to be applied.

Part Number .....Page	Part Number .....Page	Part Number .....Page	Part Number .....Page	Part Number .....Page	Part Number .....Page	Part Number .....Page	Part Number .....Page
22182-0000LF ..... 9	23337-0000LF ..... 8	SB114140M ..... 19	U332LF ..... 5	U860R100 ..... 17	U2008-0000LF ..... 9	UC374LF ..... 12	
22185-0000LF ..... 9	23358-0045 ..... 10	SB115450F ..... 19	U334LF ..... 5	U860R300 ..... 17	U2016-0000LF ..... 9	UC408LF ..... 12	
22186-0000LF ..... 9	23382LF ..... 15	SB115450M ..... 19	U335LF ..... 5	U860R500 ..... 17	U2020-0000LF ..... 9	UC412LF ..... 12	
22187-0000LF ..... 9	23383 ..... 16	SBO3353516 ..... 20	U340LF ..... 5	U860W5 ..... 17	U2276LF ..... 4	UC413LF ..... 12	
22222-0000LF ..... 9	23387 ..... 6	SBO3353522 ..... 20	U351LFA ..... 5	U860W10 ..... 17	U3001A ..... 6	UC414LF ..... 12	
22223-0000LF ..... 9	23387 ..... 8	SBO3353528 ..... 20	U358LF ..... 5	U860W20 ..... 17	U3008FLEX18LF ..... 7	UC415LF ..... 12	
22304-0000LF ..... 9	23388 ..... 6	SBO3414122 ..... 20	U359LF ..... 5	U860W25 ..... 17	U3008LF ..... 3	UC416LF ..... 12	
22305-0000LF ..... 9	23388 ..... 8	SBO3414128 ..... 20	U360LF ..... 5	U860W50 ..... 17	U3016FLEX18LF ..... 7	UC417LF ..... 12	
22306-0000LF ..... 9	23389 ..... 6	SBO3414135 ..... 20	U362LF ..... 5	U860W100 ..... 17	U3016LF ..... 3	UC418LF ..... 12	
22441LF ..... 6	23389 ..... 8	SBO3545428 ..... 20	U363LF ..... 5	U860W300 ..... 17	U3020LF ..... 3	UC434LF ..... 12	
22461LF ..... 13	23390 ..... 6	SBO3545435 ..... 20	U364LF ..... 5	U860W500 ..... 17	U3068FLEX12LF ..... 7	UC444LF ..... 12	
22462LF ..... 13	23390 ..... 8	SBO3545441 ..... 20	U366 ..... 6	U8650300 ..... 18	U3068FLEX15LF ..... 7	UC452LF ..... 12	
22463LF ..... 13	23489 ..... 8	SBBV35 ..... 20	U370LF ..... 5	U870B5 ..... 17	U3068FLEX18VLF ..... 7	UC454LF ..... 12	
22486LF ..... 6	23490 ..... 8	SBBV41 ..... 20	U374LF ..... 5	U870B10 ..... 17	U3068FLEX18LF ..... 7	UC512LF ..... 13	
22604LF ..... 6	23807-0045 ..... 10	SBBV54 ..... 20	U412LF ..... 5	U870B20 ..... 17	U3068FLEX24LF ..... 7	UC514LF ..... 13	
22630LF ..... 6	23808-0045 ..... 10	SBDC35 ..... 20	U416LF ..... 5	U870B25 ..... 17	U3086FLEX24LF ..... 7	UC518LF ..... 13	
22631LF ..... 6	23893-0045 ..... 10	SBDC41 ..... 20	U444LF ..... 5	U870B50 ..... 17	U3088FLEX12LF ..... 7	UC520LF ..... 13	
22632LF ..... 6	23894-0045 ..... 10	SBDC54 ..... 20	U454LF ..... 5	U870B100 ..... 17	U3088FLEX15LF ..... 7	UC526LF ..... 13	
22633LF ..... 6	23955-0045 ..... 10	SBDC354154 ..... 20	U462LF ..... 5	U870B300 ..... 17	U3088FLEX18VLF ..... 7	UC527LF ..... 13	
22675-0045 ..... 10	23956-0045 ..... 10	SBG03 ..... 20	U464LF ..... 5	U870B500 ..... 17	U3088FLEX18LF ..... 7	UC528LF ..... 13	
22783 ..... 13	24383-0045 ..... 10	SBTL35 ..... 20	U512LF ..... 5	U8701100 ..... 18	U3088FLEX24LF ..... 7	UC529LF ..... 13	
22784 ..... 13	24384-0045 ..... 10	SBTL41 ..... 20	U514LF ..... 5	U870020 ..... 18	U3358LF ..... 8	UC530LF ..... 13	
22785 ..... 13	24436 ..... 7	SBTL54 ..... 20	U516 ..... 6	U8700100 ..... 18	U3362LF ..... 3	UC531LF ..... 13	
22786 ..... 13	24437 ..... 7	SS3086FLEX24LF ..... 7	U518LF ..... 5	U8700300 ..... 18	U3370LF ..... 3	UC532LF ..... 13	
22787 ..... 13	24438 ..... 7	SS3088FLEX18LF ..... 7	U520LF ..... 5	U8700500 ..... 18	U3482LF ..... 3	UC534LF ..... 13	
22788 ..... 13	24439 ..... 7	SS3088FLEX24LF ..... 7	U701 ..... 16	U87001000 ..... 18	U3486LF ..... 3	UC594LF ..... 13	
22789 ..... 13	24440 ..... 7	SS3096FLEX24LF ..... 7	U702 ..... 9	U870P100 ..... 18	U3523LF ..... 8	UC600LF ..... 11	
22790 ..... 13	24441 ..... 7	U004LF ..... 3	U706 ..... 9	U870P300 ..... 18	U3524LF ..... 8	UC605LF ..... 11	
22791 ..... 13	24442 ..... 7	U006LF ..... 3	U708 ..... 9	U870R5 ..... 17	U3525LF ..... 8	UC606LF ..... 11	
22995LF ..... 6	24443 ..... 7	U008LF ..... 3	U710 ..... 9	U870R10 ..... 17	U3531LF ..... 8	UC607LF ..... 11	
22996LF ..... 6	24444 ..... 7	U009LF ..... 3	U711 ..... 9	U870R20 ..... 17	U3537LF ..... 8	UC608LF ..... 11	
22997LF ..... 6	24445 ..... 7	U012 ..... 6	U712 ..... 9	U870R25 ..... 17	U3712 ..... 9	UC626LF ..... 12	
22998LF ..... 6	24504 ..... 10	U016LF ..... 3	U713 ..... 9	U870R50 ..... 17	U4008LF ..... 3	UC628LF ..... 12	
23036-0000LF ..... 8	24505 ..... 10	U020LF ..... 3	U714 ..... 9	U870R100 ..... 17	U4016LF ..... 3	UC952 ..... 15	
23037-0000LF ..... 8	24529 ..... 10	U050LF ..... 3	U715 ..... 9	U870R300 ..... 17	U4358LF ..... 8	UC953 ..... 15	
23048-0000LF ..... 8	24530 ..... 10	U057 ..... 6	U719LF ..... 5	U870R500 ..... 17	U4482LF ..... 3	UC954 ..... 15	
23049-0000LF ..... 8	24731LF ..... 8	U058LF ..... 3	U721LF ..... 5	U870W5 ..... 17	UC006LF ..... 11	UC955 ..... 15	
23050 ..... 15	24732LF ..... 8	U060LF ..... 3	U722LF ..... 5	U870W10 ..... 17	UC008LF ..... 11	UC956 ..... 15	
23051 ..... 15	24733LF ..... 8	U066LF ..... 3	U724LF ..... 5	U870W20 ..... 17	UC009LF ..... 11	UC961 ..... 16	
23053 ..... 15	24734LF ..... 8	U068LF ..... 3	U766LF ..... 4	U870W25 ..... 17	UC012LF ..... 11	UC4006LF ..... 11	
23054 ..... 15	24735LF ..... 9	U070LF ..... 3	U772LF ..... 4	U870W50 ..... 17	UC016LF ..... 11	UC4008LF ..... 11	
23055 ..... 16	24736LF ..... 9	U072LF ..... 3	U782LF ..... 8	U870W100 ..... 17	UC020LF ..... 11	UC4016LF ..... 11	
23056LF ..... 15	24737LF ..... 9	U086LF ..... 3	U850G5 ..... 17	U870W300 ..... 17	UC057LF ..... 11	UP008 ..... 14	
23057LF ..... 15	25024 ..... 6	U086LF ..... 7	U850G50 ..... 17	U870W500 ..... 17	UC058LF ..... 11	UP016 ..... 14	
23058LF ..... 15	RM22716 ..... 13	U088LF ..... 3	U855B100 ..... 17	U880B5 ..... 17	UC060LF ..... 11	UP020 ..... 14	
23059LF ..... 15	RM22720 ..... 13	U092LF ..... 3	U8550100 ..... 18	U880B10 ..... 17	UC068LF ..... 11	UP058 ..... 14	
23060LF ..... 15	RM22724 ..... 13	U094LF ..... 3	U8550300 ..... 18	U880B20 ..... 17	UC072LF ..... 11	UP060 ..... 14	
23061LF ..... 15	SB0135 ..... 19	U110LF ..... 4	U8550500 ..... 18	U880B100 ..... 17	UC088LF ..... 11	UP120 ..... 14	
23062LF ..... 15	SB0141 ..... 19	U116LF ..... 4	U855R100 ..... 17	U880B300 ..... 17	UC094LF ..... 11	UP134 ..... 14	
23063LF ..... 15	SB0154 ..... 19	U118LF ..... 4	U855W5 ..... 17	U880B500 ..... 17	UC116LF ..... 11	UP138 ..... 14	
23064LF ..... 15	SB0235 ..... 19	U120LF ..... 4	U855W10 ..... 17	U880020 ..... 18	UC118LF ..... 11	UP140 ..... 14	
23065 ..... 15	SB0241 ..... 19	U126 ..... 6	U855W50 ..... 17	U8800100 ..... 18	UC120LF ..... 11	UP248 ..... 14	
23067LF ..... 13	SB0254 ..... 19	U134LF ..... 4	U855W100 ..... 17	U8800300 ..... 18	UC134LF ..... 11	UP256 ..... 14	
23068LF ..... 13	SB0335 ..... 20	U138LF ..... 4	U860B5 ..... 17	U8800500 ..... 18	UC138LF ..... 11	UP260 ..... 14	
23069 ..... 13	SB0341 ..... 20	U139LF ..... 4	U860B10 ..... 17	U880P100 ..... 18	UC139LF ..... 11	UP274 ..... 14	
23070 ..... 13	SB0354 ..... 20	U140LF ..... 4	U860B20 ..... 17	U880P300 ..... 18	UC140LF ..... 11	UP280 ..... 14	
23071A10 ..... 15	SB0435 ..... 19	U142LF ..... 4	U860B25 ..... 17	U880R5 ..... 17	UC142LF ..... 11	UP360 ..... 14	
23072A10 ..... 15	SB0441 ..... 19	U244LF ..... 4	U860B50 ..... 17	U880R10 ..... 17	UC246LF ..... 12	UP362 ..... 14	
23073A10 ..... 15	SB0454 ..... 19	U246LF ..... 4	U860B100 ..... 17	U880R20 ..... 17	UC248LF ..... 12	UP370 ..... 14	
23074A10 ..... 15	SB0535 ..... 19	U248LF ..... 4	U860B300 ..... 17	U880R100 ..... 17	UC256LF ..... 12	UP374 ..... 14	
23075A10 ..... 15	SB0541 ..... 19	U249LF ..... 5	U860B500 ..... 17	U880R300 ..... 17	UC260LF ..... 12	UP408 ..... 14	
23076A10 ..... 15	SB0554 ..... 19	U252 ..... 6	U860100 ..... 18	U880R500 ..... 17	UC272LF ..... 12	UP412 ..... 14	
23077 ..... 16	SB0635 ..... 19	U256LF ..... 4	U860020 ..... 18	U880W5 ..... 17	UC274LF ..... 12	UP414 ..... 14	
23080 ..... 16	SB0641 ..... 19	U260LF ..... 4	U8600100 ..... 18	U880W10 ..... 17	UC278LF ..... 12	UP415 ..... 14	
23081 ..... 16	SB0654 ..... 19	U272LF ..... 4	U8600300 ..... 18	U880W20 ..... 17	UC280LF ..... 12	UP416 ..... 14	
23100 ..... 16	SB0735 ..... 19	U273 ..... 6	U8600500 ..... 18	U880W100 ..... 17	UC286LF ..... 12	UP444 ..... 14	
23101 ..... 15	SB0741 ..... 19	U274LF ..... 4	U86001000 ..... 18	U880W300 ..... 17	UC334LF ..... 12	UP454 ..... 14	
23102 ..... 15	SB0754 ..... 19	U276LF ..... 4	U860P100 ..... 18	U880W500 ..... 17	UC340LF ..... 12	UP514 ..... 14	
23103 ..... 15	SB013528 ..... 19	U278LF ..... 4	U860P300 ..... 18	U885W20 ..... 17	UC342LF ..... 12	UP518 ..... 14	
23104 ..... 15	SB014135 ..... 19	U280LF ..... 4	U860R5 ..... 17	U885W100 ..... 17	UC360LF ..... 12	UP520 ..... 14	
23220 ..... 15	SB015441 ..... 19	U281LF ..... 4	U860R10 ..... 17	U890W20 ..... 17	UC362LF ..... 12	UP526 ..... 14	
23221 ..... 15	SB113532F ..... 19	U286LF ..... 4	U860R20 ..... 17	U890W100 ..... 17	UC363LF ..... 12	UP527 ..... 14	
23251 ..... 16	SB113532M ..... 19	U308LF ..... 4	U860R25 ..... 17	U895W20 ..... 17	UC364LF ..... 12	UP532 ..... 14	
23336-0000LF ..... 8	SB114140F ..... 19	U314LF ..... 4	U860R50 ..... 17	U895W100 ..... 17	UC370LF ..... 12		

# CERTIFICATIONS



The SharkBite push-fit fittings have been design certified and listed to ASSE 1061/NSF 61. The SharkBite push-fit fittings are listed by IAPMO and are certified for potable and hydronic heating water distribution (Note: Glycol mixture for hydronics is acceptable up to and including 100%). The SharkBite push-fit fittings have been certified for underground applications and as a manufactured joint without access panels and they meet UPC, IPC and cUPC requirements. Any SharkBite fitting listed as Lead Free is compliant with NSF/ANSI 372. Please consult with local plumbing codes concerning specific applications.

The SharkBite tubing without oxygen barrier is approved for all model codes in the US and Canada for use in potable water systems and is certified to the following standards: ASTM F 876, ASTM F 877, CSA B137.5 and AWWA C904.

The SharkBite tubing with oxygen barrier is approved for use in all model codes in the US and Canada for use in hydronic and potable water systems and is certified to the following standards: ASTM F 876, ASTM F 877, CSA B137.5 and AWWA C904.

Note: The SharkBite push-fit fittings are not approved for use with chrome-plated pipe. SharkBite Polybutylene Couplings are designed to work with ASTM D3309 spec polybutylene, do not install onto damaged or decayed PB pipe.



Reliance Worldwide Corporation

## Reliance Worldwide USA

2727 Paces Ferry Road SE  
Building 2, Suite 1800  
Atlanta, GA 30339

Phone: 1-877-700-4242 • Fax: 1-877-700-4280  
[www.rwc.com](http://www.rwc.com)



[www.sharkbite.com](http://www.sharkbite.com)

Manufactured and Distributed by Reliance Worldwide Corporation