

# Runtal® Electric Wall Panels

We are pleased to announce the addition to our electric line: The **Runtal Electric Wall Panels**.

Wall Panels are ideal for placement under windows or on walls where floor space is at a premium.

When placed under windows, wall panels help eliminate cold spots and drafts while allowing curtains to hang properly to the floor. The Runtal Electric Wall Panels are available in two heights

(17¼" & 23½") and

three lengths (2', 3', & 4').

They are available in

120, 208 and 240 volt

configurations and may be

ordered in more than 100

Runtal colors.



# Runtal® Electric Wall Panels, the details

**Euro-Style:** The American Made design with a space saving 2½" depth.

**Choice of Colors:** Ten standard colors and over 100 optional colors to complement any project design.

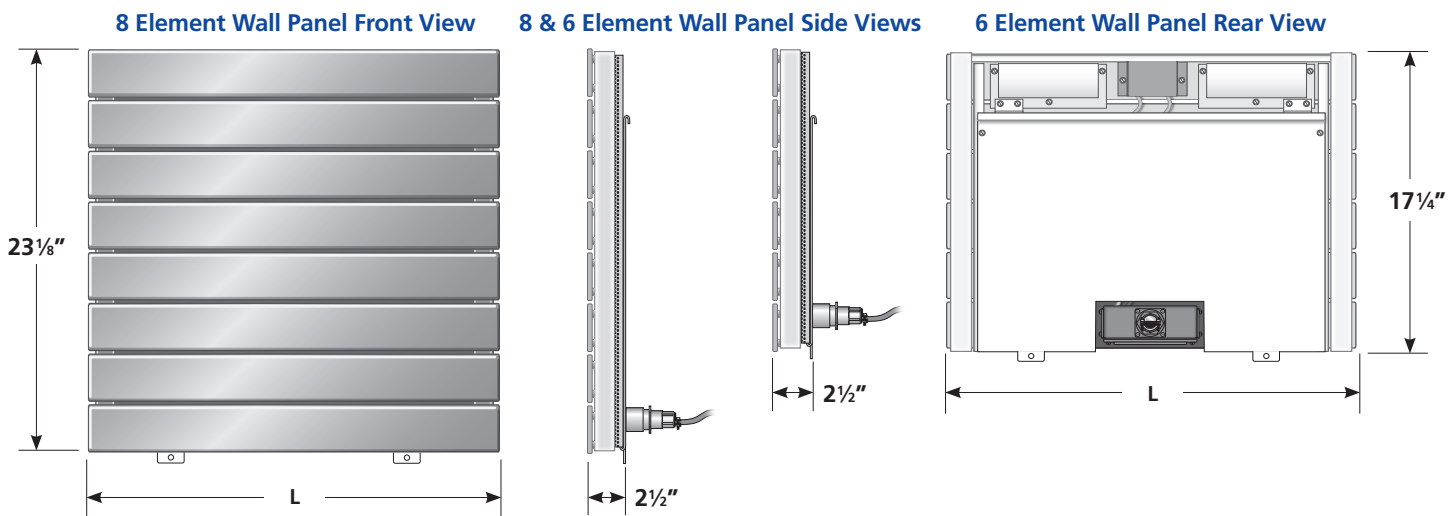
**Durable:** Welded steel construction and advanced powder coat finishes provide for long-lasting durability for both commercial and residential applications.

**Easy Installation:** Continuous wall mounting enables easy installation.

**Comfortable:** Even radiant heat with high output.

**Immediate Availability:** In stock in White. Large quantities and other colors are made-to-order.

**Mounting & Wiring:** Please refer to installation instructions for details.



## Electric Wall Panel Heating Capacities (BTUH)

Model number	Available Lengths			Weight
	24"	36"	48"	
<b>EWP-6-120D-(120 Volts)</b>				
BTUH output	2013	3003	4026	15 lbs./ft.
Watt output	590	880	1180	
Amps	4.9	7.3	9.8	
<b>EWP-6-208D-(208 Volts)</b>				
BTUH output	2013	3003	4026	15 lbs./ft.
Watt output	590	880	1180	
Amps	2.8	4.2	5.7	
<b>EWP-6-240D-(240 Volts)</b>				
BTUH output	2013	3003	4026	15 lbs./ft.
Watt output	590	880	1180	
Amps	2.5	3.7	4.9	
<b>EWP-8-120D-(120 Volts)</b>				
BTUH output	2627	3924	5220	20 lbs./ft.
Watt output	770	1150	1530	
Amps	6.4	9.6	12.8	
<b>EWP-8-208D-(208 Volts)</b>				
BTUH output	2627	3924	5220	20lbs./ft.
Watt output	770	1150	1530	
Amps	3.7	5.5	7.4	
<b>EWP-8-240-(240 Volts)</b>				
BTUH output	2627	3924	5220	20 lbs./ft.
Watt output	770	1150	1530	
Amps	3.2	4.8	6.4	