

Runtal® Electric Baseboard

For over 60 years, Runtal has been world-renowned as the premium manufacturer of Euro-style hot water panel radiators. We are now pleased to unveil our new electric panel radiators (baseboard style). This revolutionary patent pending technology combines high outputs and low surface temperatures with the fine design and outstanding quality that one expects from Runtal. Runtal's electric baseboard panels are available in 3' to 10' lengths in both 208 and 240 volt configurations and may be ordered in more than 100 Runtal colors.



Commercial



Residential



Detail





Electric Baseboard

Euro-Style: The American Made design with a space saving 2 1/4" depth.

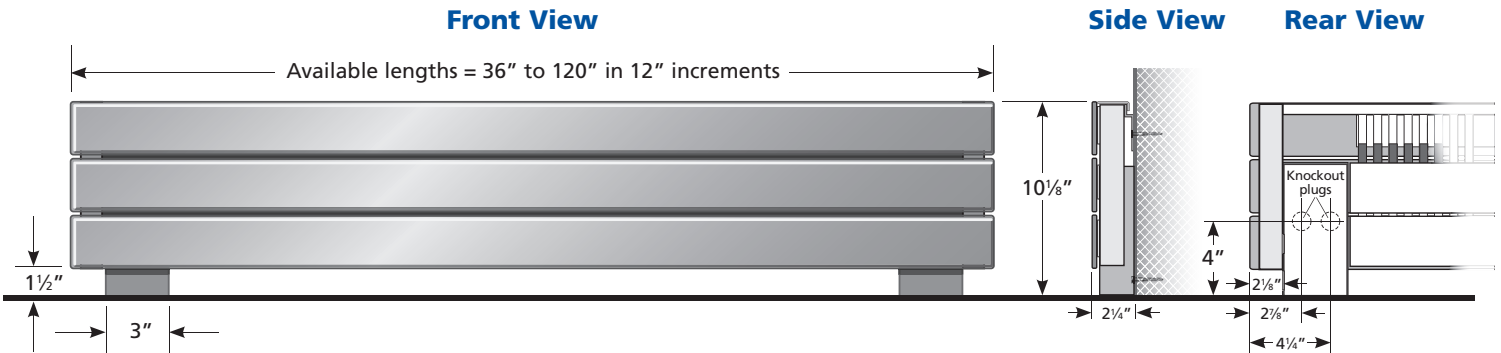
Choice of Colors: Ten standard colors and over 100 optional colors to complement any project design.

Durable: Welded steel construction and advanced power coat finishes provide for long-lasting durability for both commercial and residential applications.

Easy Installation: Simple wall mounting and a choice of using either end for wiring.

Comfortable: Even radiant heat, high output, low temperature design.

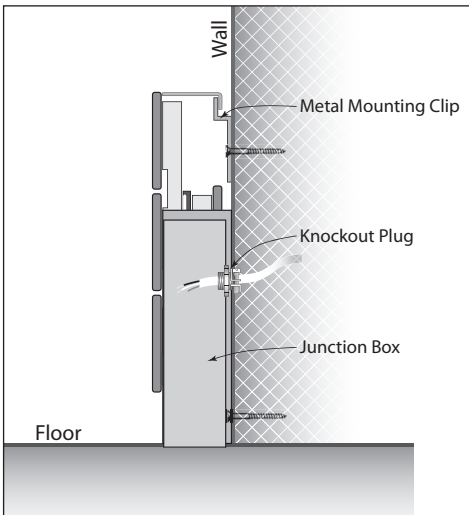
Immediate Availability: In stock in White. Large quantities and other colors are made-to-order.



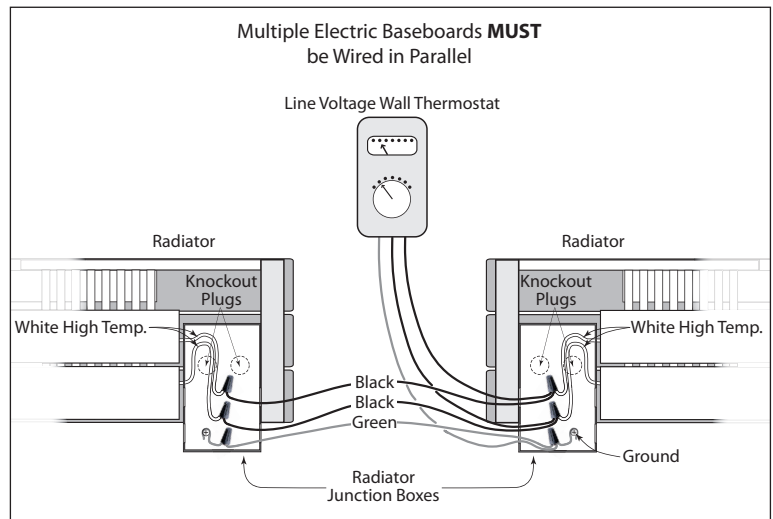
Baseboard Heating Capacities (BTUH)

Model number	Available Lengths								Weight
	36"	48"	60"	72"	84"	96"	108"	120"	
EB3-208D-(208 Volts)									
BTUH output	1500	2000	2500	3000	3500	4000	4500	5000	10 lbs./ft.
Watt output	440	586	733	879	1026	1172	1319	1466	
EB3-240D-(240 Volts)									
BTUH output	1500	2000	2500	3000	3500	4000	4500	5000	10 lbs./ft.
Watt output	440	586	733	879	1026	1172	1319	1466	

Mounting



Wiring (Please refer to installation instructions for details.)



RUNTAL NORTH AMERICA, INC.
 PO Box 8278, 187 Neck Road, Ward Hill, MA 01835 (Haverhill)
 Tel: 800-526-2621 ▲ In Canada: 888 829-4901
www.runtalnorthamerica.com

