

### IMPORTANT

1. Always include complete heater model and serial number so that any specification change can be considered for parts replacement. It can save time and expense.
2. Specifications are subject to change without notice.
3. We reserve the right to substitute functional replacements
4. Order by P/N; not Heater Option Designation.

## Replacement Parts for V3® Series Model UDAP, UDAS, UDBP, and UDBS Unit Heaters

### Model UDAP Power Vent, Fan Type

### Model UDAS Separated Combustion, Fan Type



### Model UDBP Power Vent, Blower Type

### Model UDBS Separated Combustion, Blower Type



### INDEX

#### B

Bearings 12  
Belt 10  
Belt Guard 18  
Blower 12  
Blower Inlet Guard 18  
Burner 14  
Burner Orifice 14

#### C

Cabinet Parts 11  
Fan Motor Capacitor 5, 6  
Circuit Board 5, 6  
Circuit Board (DSI Ignition Cntrl) 5  
Collar 11  
Concentric Adapter Box 15  
Contactor 8  
Control Compartment 4  
DDC Controller 7  
Control of 2-6 Heaters 19  
Gas Conversion Kits 14

#### D

Date of Manufacture 3  
Disconnect Switch 5  
Door Handle 11  
Drives 10

#### E

Electrical Components 4  
Exhaust (Vent) Terminal 15  
Exhaust Grill 15

#### F

Fan Blade 11

Fan Guard 11  
Fan Motor 6  
Flame Sensor 5, 6  
Flue Wrapper 13  
Fuse 5

#### G

Guards 18

#### H

Hanger Bar 11  
Hanger Kits 18  
Heat Exchanger 14  
High Altitude Switch 16

#### I

Ignition Control 6  
Combustion Air Inlet 15  
Inlet Guard 15

#### L

Label 11  
Limit Control 5, 6  
Horizontal Louver 11  
Vertical Louvers 16

#### M

Belt Drive Motor 8  
Blower Motor 8  
Direct Drive Motor 8  
Fan Motor 5, 6  
Venter Motor 13  
Motor Adjustment Bracket 12  
Motor Mounting Components 12

#### N

Downturn Nozzles 17

#### O

Option CC1 16  
Option CC14 15  
Option CC2 15  
Option CC6 15  
Option CD1 16  
Option CD10 18  
Option CD11 18  
Option CD12 18  
Option CE1 19  
Option CG1 7  
Option CG2 7  
Option CG4 7  
Option CK10 18  
Option CK22 19  
Option CK8 18  
Option CL1 19  
Option CL22 19  
Option CL31 19  
Option CL32 19  
Option CM3 20  
Option D10 7  
Option D14 7  
Options CD2, CD3, CD4, CD5 17  
Orifice 14

#### P

Paint 11  
Polytube Adapter 18  
High Altitude Pressure Switch 16  
Pressure Switch 5, 6  
Pressure Tap 13  
Blower Pulley 10  
Motor Pulley 10

#### R

Rating Plate 2  
References 3  
Restrictor 12  
**S**  
Serial No. 2  
Shaft 12  
Silicone Sealant 15  
Motor Starter 8  
Starter Overload 8  
Ceiling Suspension Kit 19  
Disconnect Switch 5, 6  
Door Switch 5, 6  
Flame Rollout Switch 5, 6

#### T

Terminal Board 5, 6  
Thermostat 19  
Thermostat Bracket Kit 20  
Stepdown Transformer Kits 7  
Transformer 5, 6

#### V

Gas Valve 5, 6  
Manual Shutoff Valve 19  
Vent Cap 16  
Venter Housing 13  
Venter Motor 13  
Venter Wheel 13  
Venting and Combustion Air Kits 15

#### W

Website 3  
Wiring Harness 5

### Warranty - Models UDAP, UDAS, UDBP, and UDBS

One-year limited warranty on the heater.



Nine-year extended limited warranty on the heat exchanger, burner, and flue collection box assembly.

Four-year extended limited warranty on all electrical and mechanical operating components (with the exception of blower belts).



Contact your distributor for details.

## Rating Plate and Serial No.

### Example of a Rating Plate, Model UDAP

<b>REZNOR®</b> MERCER, PA. USA 16137 MADE IN MEXICO		 NRTL	 NRTL
<b>UNIT HEATER</b> <b>CATEGORY [ Z ]</b> ANSI Z83.8 [ A ] CSA 2.6 [ A' ] UNIT HEATER CSA .10.96 U.S. (2nd Ed.) UNIT HEATERS FOR RESIDENTIAL INSTALLATION <b>MODEL [ B ] [ C ]</b> <b>SERIAL NO.</b> [ D ] VOLTS [ D ] PH [ D ] HZ MAXIMUM TOTAL INPUT [ D ] AMPS <b>TYPE OF GAS: [ E ]</b> FOR USE AT 0-2000 FEET, 0-610 METERS OF ALTITUDE. ORIFICE SIZE [ F ] DRILL HAS BEEN FACTORY ADJUSTED SEA LEVEL NORMAL INPUT [ J ] BTU/HR THERMAL OUTPUT CAPACITY [ L ] BTU/HR MINIMUM INPUT(-2 MODELS) [ M ] BTU/HR NORMAL MANIFOLD PRESSURE [ G ] IN.W.C. MIN. PERMISSIBLE GAS SUPPLY PRESSURE FOR PURPOSE OF INPUT ADJUSTMENT. [ H ] IN.W.C.			
CLEARANCES TO COMBUSTIBLE CONSTRUCTION: TOP-[ N ] ", FLUE CONNECTION-6", CONTROL SIDE-18", OPP. SIDE-[ P ] ", BOTTOM-1", FRONT-36". FOR ALTERNATE INSTALLATIONS USE THE LATEST EDITIONS OF THE APPROPRIATE STANDARD LISTED BELOW: FOR AIRCRAFT HANGARS USE STANDARD ANSI/NFPA 409 FOR PARKING STRUCTURES USE STANDARD ANSI/NFPA 88A FOR REPAIR GARAGES USE STANDARD ANSI/NFPA 88B THIS UNIT IS NOT FOR USE WITH DUCTS. THIS UNIT IS NOT FOR USE WITH FILTERS. IN THE EVENT THE FLAME ROLLOUT SENSOR CAUSES THE HEATER TO SHUT OFF, DETERMINE AND CORRECT THE CAUSE. FAILURE TO DO SO COULD RESULT IN PERSONAL INJURY OR DEATH. TO RESET, DEPRESS THE BUTTON ON THE SENSOR LOCATED ON THE BURNER BOX ASSEMBLY.			

### Example of a Rating Plate, Model UDBP

<b>REZNOR®</b> MERCER, PA. USA 16137 MADE IN MEXICO		 NRTL	 NRTL
<b>UNIT HEATER</b> <b>CATEGORY [ Z ]</b> ANSI Z83.8 [ A ] CSA 2.6 [ A' ] UNIT HEATER <b>MODEL [ B ] [ C ]</b> <b>SERIAL NO.</b> [ K ] HP [ D ] VOLTS [ D ] PH [ D ] HZ MAXIMUM TOTAL INPUT [ D ] AMPS <b>TYPE OF GAS: [ E ]</b> FOR USE AT 0-2000 FEET, 0-610 METERS OF ALTITUDE. ORIFICE SIZE [ F ] DRILL SEA LEVEL NORMAL INPUT [ J ] BTU/HR THERMAL OUTPUT CAPACITY [ L ] BTU/HR MINIMUM INPUT(-2 MODELS) [ M ] BTU/HR NORMAL MANIFOLD PRESSURE [ G ] IN.W.C. MIN. PERMISSIBLE GAS SUPPLY PRESSURE FOR PURPOSE OF INPUT ADJUSTMENT. [ H ] IN.W.C. TEMPERATURE RISE RANGE FROM [ Q ] DEG. F. TO [ R ] DEG. F. MAXIMUM EXTERNAL STATIC PRESSURE [ S ] IN. W.C.			
CLEARANCES TO COMBUSTIBLE CONSTRUCTION: TOP-[ N ] ", FLUE CONNECTION-6", CONTROL SIDE-18", OPP. SIDE-[ P ] ", BOTTOM-1", FRONT-36" FOR ALTERNATE INSTALLATIONS USE THE LATEST EDITIONS OF THE APPROPRIATE STANDARD LISTED BELOW: FOR AIRCRAFT HANGARS USE STANDARD ANSI/NFPA 409 FOR PARKING STRUCTURES USE STANDARD ANSI/NFPA 88A FOR REPAIR GARAGES USE STANDARD ANSI/NFPA 88B INSTALLATION OF THIS UNIT IN AIRCRAFT HANGERS IN ACCORDANCE WITH THE REQUIREMENTS OF THE ENFORCING AUTHORITIES AND IN PUBLIC GARAGES IN ACCORDANCE WITH THE CAN/CGA-B149 (.1 OR .2 ) CODES. THIS UNIT IS NOT FOR USE WITH FILTERS. THIS UNIT MAY BE USED WITH DUCTS.			

### Rating Plate Key:

<b>A</b>	Date of ANSI Standard	<b>K</b>	Blower Motor Horsepower
<b>A'</b>	Date of CSA Standard	<b>L</b>	BTU Thermal Output Sea Level
<b>B</b>	Model No.	<b>M</b>	BTU Minimum Input Sea Level
<b>C</b>	Month and Year of Manufacture	<b>N</b>	Top Clearance
<b>D</b>	Voltage, Phase, 60 Hertz, Maximum Total Input Amps	<b>P</b>	Left Side Clearance
<b>E</b>	Natural Gas or Propane	<b>Q</b>	Temperature Rise From (°F)
<b>F</b>	Orifice Size	<b>R</b>	Temperature Rise To (°F)
<b>G</b>	Manifold Pressure (3.5" w.c. Natural Gas; 10" w.c. Propane)	<b>S</b>	Maximum External Static Pressure (inches w.c.)
<b>H</b>	Minimum Gas supply Pressure (5.0" w.c. Natural Gas; 11.0" w.c. Propane)	<b>Z</b>	Category
<b>J</b>	BTU Normal Input Sea Level		

### Decoding a Serial No.

<b>Example of a Serial No. BLK 79 6E N 00000</b>					
<b>CODE Nos.</b>	<b>1</b>	<b>2</b>	<b>3</b>	<b>4</b>	<b>5</b>
<b>CODE No.</b>	<b>Explanation</b>				
1	Date of manufacture (see below)				
2	Type of ignition system				
3	Type of gas valve				
4	Gas (N = natural; L = propane)				
5	Consecutive number (identification only)				

### First Element of the Serial Number - Date of Manufacture

Year	Jan	Feb	Mar	Apr	May	June	July	Aug	Sept	Oct	Nov	Dec
2002	BBA	BBB	BBC	BBD	BBE	BBF	BBG	BBH	BBI	BBJ	BBK	BBL
2003	BCA	BCB	BCC	BCD	BCE	BCF	BCG	BCH	BCI	BCJ	BCK	BCL
2004	BDA	BDB	BDC	BDD	BDE	BDF	BDG	BDH	BDI	BDJ	BDK	BDL
2005	BEA	BEB	BEC	BED	BEE	BEF	BEG	BEH	BEI	BEJ	BEK	BEL
2006	BFA	BFB	BFC	BFD	BFE	BFF	BFG	BFH	BFI	BFJ	BFK	BFL
2007	BGA	BGB	BGC	BGD	BGE	BGF	BGG	BGH	BGI	BGJ	BGK	BGL
2008	BHA	BHB	BHC	BHD	BHE	BHF	BHG	BHH	BHI	BHJ	BHK	BHL
2009	BIA	BIB	BIC	BID	BIE	BIF	BIG	BIH	BII	BIJ	BIK	BIL
2010	BJA	BJB	BJC	BJD	BJE	BJF	BJG	BJH	BJI	BJJ	BJK	BJL
2011	BKA	BKB	BKC	BKD	BKE	BKF	BKG	BKH	BKI	BKJ	BKK	BKL
2012	BLA	BLB	BLC	BLD	BLE	BLF	BLG	BLH	BLI	BLJ	BLK	BLL
2013	BMA	BMB	BMC	BMD	BME	BMF	BMG	BMH	BMI	BMJ	BMK	BML
2014	BNA	BNB	BNC	BND	BNE	BNF	BNG	BNH	BNI	BNJ	BNK	BNL
2015	BOA	BOB	BOC	BOD	BOE	BOF	BOG	BOH	BOI	BOJ	BOK	BOL
2016	BPA	BPB	BPC	BPD	BPE	BPF	BPG	BPH	BPI	BPJ	BPK	BPL
2017	BQA	BQB	BQC	BQD	BQE	BQF	BQG	BQH	BQI	BQJ	BQK	BQL
2018	BRA	BRB	BRC	BRD	BRE	BRF	BRG	BRH	BRI	BRJ	BRK	BRL
2019	BSA	BSB	BSC	BSD	BSE	BSF	BSG	BSH	BSI	BSJ	BSK	BSL
2020	BTA	BTB	BTC	BTD	BTE	BTF	BTG	BTH	BTI	BTJ	BTK	BTL

### References

#### Printed Forms (Request by Form designation; not P/N.).....Form .....P/N

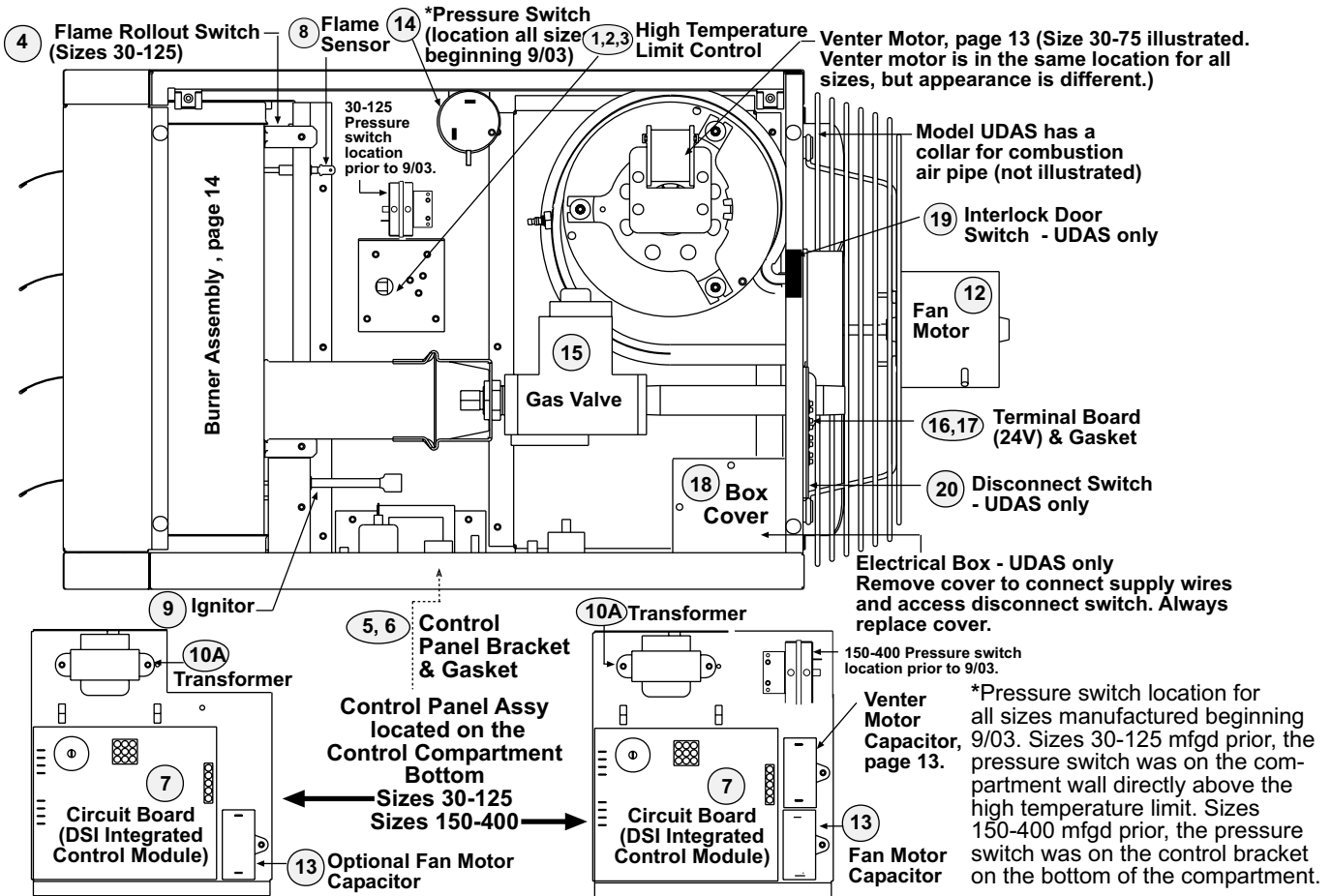
Installation/Operation/Maintenance - All UDAP and UDAS .....	I-UDA.....	195673
Installation/Operation/Maintenance - All UDBP and UDBS .....	I-UDB.....	202658
Venting Installation - Models UDAP and UDBP .....	I-UD-V-PV.....	195675
Venting Installation - Model UDAP-CV with Option AV6 (common vent) .....	I-UD-V-CV ....	195677
Venting Installation - Models UDAS and UDBS.....	I-UD-V-SC ....	195676
Gas Conversion .....	CP-UD-GC....	197209
High Altitude (above 6000 ft) .....	I-UD-HA.....	197081
Serial No., Valves, and Ignition Contrlos .....	P-VALVES ....	263995

#### Website (Forms are available for downloading.)

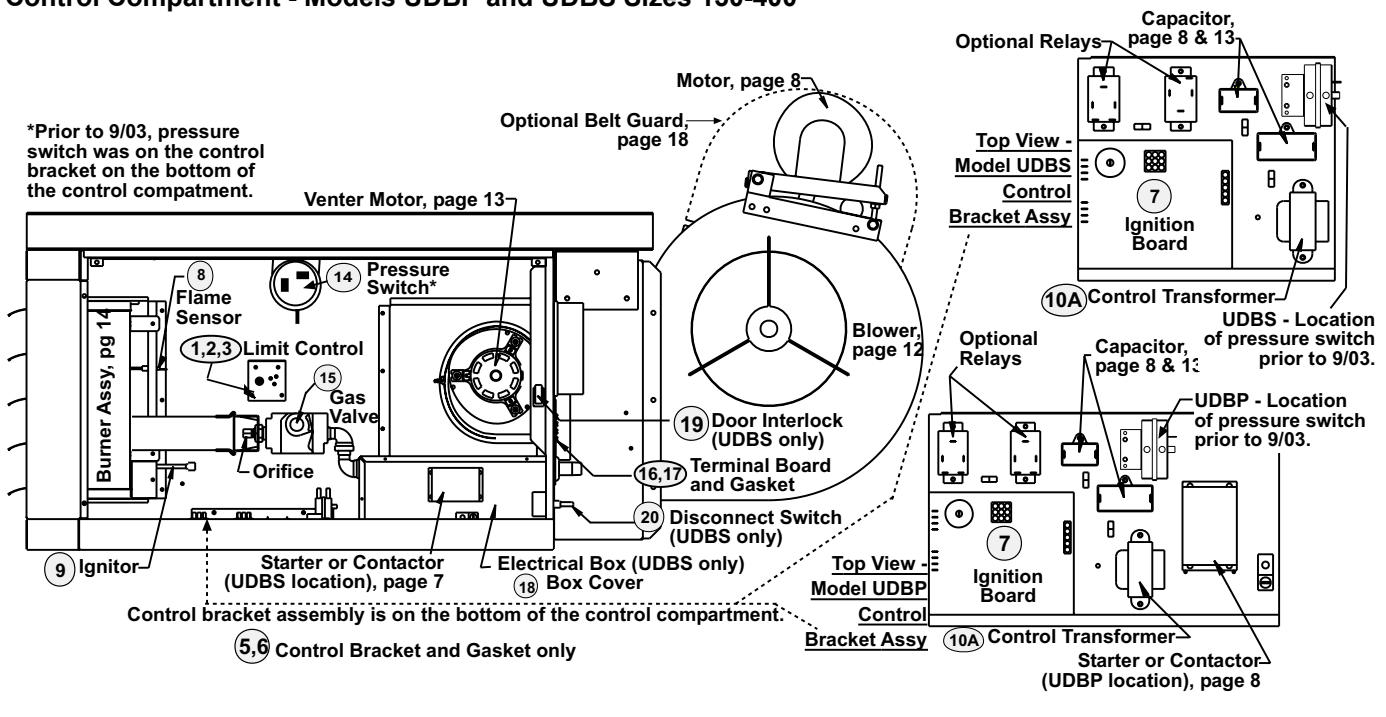
[www.RezSpec.com](http://www.RezSpec.com)

**Electrical Components - Location, Quantity (Quantities other than one are listed in parenthesis.), and P/N (see page 6 for photos)**

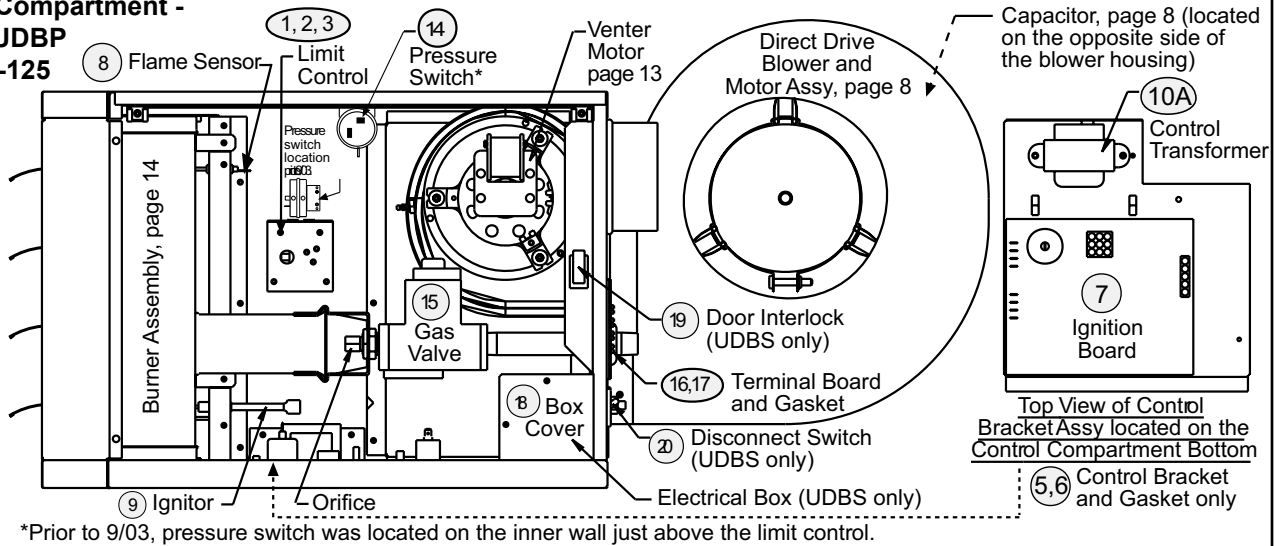
**Control Compartment - Models UDAP and UDAS Sizes 30-400**



**Control Compartment - Models UDBP and UDBS Sizes 150-400**



**Control Compartment -  
Models UDBP  
Sizes 30-125**



Code	Description	Model	30	45	60	75	100	125	150	175	200	225	250	300	350	400		
1A	High Temperature Limit Control, Auto Reset (NOTE: Color listed is the color of the identifying dot on the limit control label. "None" indicates no colored dot on the label.)	UDAP/UDAS	96512, 220°F, Blue		45602, 180°F, None			85449, 200°F, Yellow	45602, 180°F, None	82091, 160°F, Red	45602, 180°F, Red	82091, 160°F, Red	45602, 180°F, None	85449, 200°F, Yellow	45602, 180°F, None			
		UDBP/UDBS	201961, 275°F, Green	96512, 220°F, Blue	85449, 200°F, Yellow		96512, 220°F, Blue	201961, 275°F, Green	45602, 180°F, None	202048, 240°F, Silver	45602, 180°F, None	201962, 250°F, Orange	202048, 240°F, Silver	85449, 200°F, Yellow				
1B	High Temperature Limit Control, Auto Reset - UDAP w/Opt AL2B	UDAP-45LN (low noise)	N/A	85449, 200°F, Yellow	N/A													
2	Limit Control Plate	All	170025															
3	Limit Control Bracket	UDAP/UDAS	170026															
		UDBP/UDBS	201771										202701					
4	Flame Rollout Switch, Manual Reset	UDAP/UDAS	197033, 210°F / -31°F, Violet Dot	196949, 225°F / -31°F, Red Dot	196950, 250°F / -31°F, Yellow Dot			--	--	--	--	--	--	--	--	--		
5	Control Mounting Bracket	UDAP/UDAS	195551										195294					
		UDBP	195551										202736					
		UDBS	195551										195294					
6	Cntrl Mounting Bracket Gasket	All	195664															
7	Circuit Board (DSI Ignition Cntrl)	All	195265, UTC 1097-210, Serial No. Code 79															
7A	Fuse for Circuit Board	All	P/N 201685 or replace with a field-supplied Type ATC or ATO 3 amp fuse, Color Code Violet.															
8	Flame Sensor	All	195292															
9	Ignitor (Electrode Assy)	All	175272															
10A	Transformer	115V	UDAP/UDAS	175265, 25VA														
			All*	194808, 40 VA (*40VA transformer only applies to UDAP and UDAS when equipped with multiple heater control Option CL31)														
		208V-230V/1ph	UDBP/UDBS	--	--	--	--	--	--	--	--	--	--	--	--	194536, 40 VA		
10B	Xformer w/ Opts D10/14 DDC Cntrls	115V	UDAP/UDAS	N/A										175265, 25VA and 194808, 40VA				
			208V-230V/1ph	UDBP/UDBS	N/A										(2) 194536, 40 VA			
11	Stepdown Transformer	480V supply-120V	--	--	--	--	--	--	--	--	--	--	--	11100, 1/2 KVA				
		575V supply-120V	UDBP/UDBS	--	--	--	--	--	--	--	--	--	--	202056, 575/120				
12A	Fan Motor (See spacing, pg 6.)	115V Open	196240	196241	196242	196243	196244	196245		196246		196247						
		115V TEFC (AL14)	203310					203724		196824		196825 (Must be Fasco Rev D)						
		***208/230V Open	196826 ***					195302 ***		195303 ***								
12B	Fan Mtr 115V w/Opt AL2B	UDAP45-LN	N/A	203030	N/A													
13	Fan Motor Capacitor	115V	--	--	--	195642 (on units manufactured beginning 2/2011)			195643, 7.5 mfd									
		208/230V	--	--	--	195643, 7.5 mfd												
		115Vw/AL14	--	--	--	195642, 5 mfd			195643, 7.5 mfd			217031, 15mfd						
14	Pressure Switch, 0 to 6000 ft (Above 6000 ft, see kits on page 16.)  NOTE: Color listed is the identifying color of the pressure switch label.	UDAP-CV ****	197028, .65" w.c., Yellow	196388, .45" w.c., Orange	197029, .60" w.c., Light Blue		196362, .55" w.c., White		--	--	--	--	--	--	--	--		
		UDAP	197030, .40" w.c., Green		196388, .50" w.c., Orange		197030, .40" w.c., Green		201158, 1.10" w.c., Blue									
		UDAS	197028, .65" w.c., Yellow				196362, .55" w.c., White		197032, .45" w.c., Pink		197030, .40" w.c., Green		201158, 1.10" w.c., Blue			201158, 1.10" w.c., blue, on Sizes 350 & 400 mfgd beginning 7/23/2009.		
		UDBP	197030, .40" w.c., Green		196388, .50" w.c., Orange		197030, .40" w.c., Green		197030, .40" w.c., Green		201158, 1.10" w.c., Blue					201159, 1.40" w.c., red, Sizes 350 & 400 mfgd prior to 7/23/2009		
		UDBS	197030, .40" w.c., Green	196388, .50" w.c., Orange	197029, .60" w.c., Lt Blue	196388, .50" w.c., Orange	197030, .40" w.c., Green	197032, .45" w.c., Pink	197030, .40" w.c., Green		201158, 1.10" w.c., Blue							
15	Gas Valve	Natural, 1-Stage Propane, 1-Stage Natural, 2-Stage Propane, 2-Stage	All	260603, 1/2x1/2, MH VR8215T1239, (6E)								196981, 3/4x3/4, MH VR8305K4241, (Y3 or Z8)						
			(Serial No. Valve Code in parenthesis - see page 3.)	263999, 1/2x1/2, MH VR8215T5214, (9E)								196983, 3/4x3/4, MH VR8305K4258, (Y5 or 1A)						
			--	--	197066, 1/2x1/2, MH VR8205N2921, (Y8 or 4A)				197067, 3/4x3/4, MH VR8305N4297, (Y9 or 5A)									
			--	--	197064, 1/2x1/2, MH VR8205N2913, (Y6 or 2A)				197065, 3/4x3/4, MH VR8305N4289, (Y7 or 3A)									
16	Terminal Board (24V), 4 pole	All	196813															
17	Terminal Board Gasket	All	196327															
18	Electrical Box Cover	UDAS and UDBS only	201945															
19	Door Switch	All	217262, Carling #TA22B-TLB-B															
20	Disconnect Switch	All	101902 (after 10/06) / (201946 before 10/06)							101902 (replaced 202054)								
21	Wiring Harness with 9 pin Terminal	UDAP/UDAS	197148	197199	197149	201417		201418		201419								
		UDBP/UDBS	203523	203524	203525	203526		203527		203528								
22	Wiring Harness w/ 5 pin Terminal	All	195653							195656								

\*\* For location, see page 7. \*\*\*When inventory of the 208/230V fan motors is depleted, they will no longer be available as replacement parts. A replacement 115V motor and the installation of a stepdown transformer kit (Opt CG1 or 2, page 7) will be required. Check with your distributor for availability. \*\*\*\*Model UDAP-CV is a Model UDAP with factory-installed Common Vent Option AV6

**Electrical Components - See locations on pages 4 and 5.**

**CODE 1 - High Temperature Limit Control, Auto Reset**  
**P/N 45602**, 180°F, No Dot  
**P/N 85449**, 200°F, Yellow Dot  
**P/N 96512**, 220°F, Blue Dot  
**P/N 202048**, 240°F, Silver Dot  
**P/N 201962**, 250°F, Orange Dot  
**P/N 201961**, 275°F, Green Dot



Bracket, **P/N 170026**  
 Plate, **P/N 170025**

**CODE 4 - Flame Rollout Switch, Manual Reset**



UDAP/UDAS 30, **P/N 197033**, 210°F, Violet Dot  
 UDAP/UDAS 45, 60, 75, **P/N 196949**, 225°F, Red Dot  
 UDAP/UDAS 100, 125, **P/N 196950**, 250°F, Yellow Dot

**CODE 7 - Circuit Board (DSI Ignition Control), P/N 195265, UTC 1097-210**



To replace fuse, use **P/N 201685** or a field supplied Type ATC or ATO 3 amp fuse, Color Code Violet

**CODE 8 - Flame Sensor, P/N 195292**



**CODE 9 - Ignitor (Electrode Assembly), P/N 175272**



**CODE 10 - Transformer**



115V-25VA, **P/N 175265**  
 115V-40VA, **P/N 194808**  
 208/230V-40VA, **P/N 194536**

**CODE 11 - Stepdown Transformer**



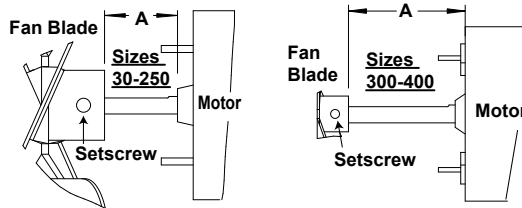
460V-120V, 1/2 KVA (500VA), **P/N 11100**  
 575V-120V, **P/N 202056**  
 (Stepdown transformer is not in the control compartment; it hangs on the outside of the heater cabinet.)

**CODE 12 - Fan Motor**



See motor application and P/N's on page 5.  
 For fan blade P/N's, see page 11.

**Fan Blade/Motor Spacing by Unit Size and Type of Fan Guard**



UDAP/UDAS Size	A = Fan Spacing				Setscrew Torque (in/lbs ±10)
	Standard Wire Fan Guard with .5" (13mm) Spacing		Option AZ8 Wire Fan Guard with .334" (8.5mm) Spacing		
30	1"	25 mm	1"	25 mm	80
45	9/16"	14 mm	1-1/16"	27 mm	
45-LN	3/4"	19 mm	N/A		
60	1-1/2"	38 mm	1-3/4"	44 mm	
75	2-1/8"	54 mm	1-1/2"	38 mm	
100	2-3/8"	60 mm	2-3/8"	60 mm	120
125	2-5/16"	59 mm	2-1/8"	54 mm	
150	2-3/8"	60 mm	N/A		130
175	2-1/8"	54 mm			
200	1-5/8"	41 mm			
225/250/300	2"	51 mm			
350	1-7/8"	48 mm			
400	1-3/8"	35 mm			

**CODE 13 - Fan Motor Capacitor**



**CODE 14 - Pressure Switch, H/W #IS2**



See application and P/N's on page 5. For high altitude (above 6000 ft) , see page 16.

**CODE 15 - Gas Valve**

**Single-Stage Gas Valves**



P/N	Serial No. Code	Replacement for Serial No. Code
196981	Y3 or Z8	
196983	Y5 or 1A	
260603	6E	Y2, Z7, X7, or Z3
263999	9E	Y4, Z9, X9, or Z5

See application by P/N, Type, and Size on page 5.  
 See Serial No. Decoding on page 3.

**Two-Stage Gas Valve**



P/N	Serial No. Code	Replacement for Serial No. Code
197066	Y8 or 4A	X8 or Z4
197067	Y9 or 5A	
197064	Y6 or 2A	Y1 or Z6
197065	Y7 or 3A	

**CODE 16 - Terminal Board, 24V, 4 pole, P/N 196813**



**CODE 17 - Terminal Board Gasket for UDAS and UDBS, P/N 196327**

**CODE 19 - Interlock Door Switch, UDAS and UDBS, P/N 217262**



**CODE 20 - Disconnect Switch, UDAS and UDBS**



DDC Controller, P/N 207944, and other components used in Option D10 and Option D14 (D14 requires field-provided sensor) - applies to Sizes 150-400

Code 21A, Novar Controller (mounts on the inside wall of the control compartment)

CODE	P/N	Description
21A	207944	Novar Controller, Model Minio 737200000
21B	207945	Novar Discharge Sensor Model 712007000DTS 30 (Option D10 only)
22	208069	Controller Bracket
23	195669	Gasket
24	18549	Relay, Heat (W/R 90-370)
	Order Kit P/N 263527 if replacing relay P/N 98118 (WR 134-20102-101)	

CODE 24 - Relay



CODE 10B - Transformer (See page 5.)

CODE 22 - Bracket  
CODE 23 - Gasket

CODE 25 - Stepdown Transformer Kits (Same as Options CG1, CG2, CG4)



Stepdown Transformer

For Model UDAP or UDAS	30	45, 60, 75, 100	125, 150, 175, 200	225, 250	300, 350, 400
<b>Option CG1 (208 to 120V)</b>	260919	260920	260921	260922	260923
includes Transformer (P/N, kva)	260927, .25	260928, .50	260929, .75	223462, 1.0	260930, 1.5
<b>Option CG2 (230 to 120V) and Option CG4 (460 to 120V)</b>	197150	197151	197152	197153	197154
includes Transformer (P/N, kva)	11279, .25	11100, .50	11217, .75	16065, 1.0	197085, 1.5
<b>All UDAP/UDAS Option CG1, CG2, and CG4 Kits listed above include the following parts:</b>					
Transformer Bracket	197079			197080	
Transformer Bracket Gasket	236155				
Hex Head Cap Screw	32253, 3/8 x 1" lg				
3/8" Lock Washer	5197				
3/8" Flat Washer	6593				
BX Cable, 3/8"	45097, 38"	174394, 46"	63292, 49"	10460, 56"	201465, 70"
Black wire 14 gauge, 105°C	32520, 54"	7208, 62"	123150, 65"	48862, 72"	201466, 86"
White wire 14 gauge, 105°C	201243, 54"	201242, 62"	123152, 65"	48861, 72"	201467, 86"
Green wire 14 gauge, 105°C	201241, 54"	201240, 62"	201468, 65"	201462, 72"	201469, 86"
Anti-Short Bushing	(2) 16358				
Straight Connector	16199				
90° Connector	1417, T&B #XC-290				
Cable Clamp, 1/2"	16227, Heyco #3328				
Sheetmetal Screws	(3) 11813, #10 x 1/2"				
Wire Connector 73B	(10) 16354, Ideal #3-0253				

NOTE: For stepdown transformer for UDBP or UDBS with 460V or 575V, see CODE 11, page 6.

For Model UDBP or UDBS	30, 45	60, 75	100, 125
<b>Option CG1 (208 to 120V)</b>	260924	260925	260926
includes Transformer (P/N, kva)	260928, .50	223462, 1.0	260931, 2.0
<b>Option CG2 (230 to 120V) and Option CG4 (460 to 120V)</b>	202976	202977	202978
includes Transformer (P/N, kva)	11100, .50	16065, 1.0	202979, 2.0
<b>All UDBP/UDBS Option CG1, CG2, and CG4 Kits listed above include the following parts:</b>			
Transformer Bracket	197079		
Transformer Bracket Gasket	236155		
BX Cable, 3/8", (length in inches)	45097, 38"	174394, 46"	63292, 49"
Black wire 14 gauge, 105°C, (length in inches)	32520, 54"	7208, 62"	123150, 65"
White wire 14 gauge, 105°C, (length in inches)	201243, 54"	201242, 62"	123152, 65"
Green wire 14 gauge, 105°C, (length in inches)	201241, 54"	201240, 62"	201468, 65"
Anti-Short Bushing	(2) 16358		
Straight Connector, T&B #302	16202		
90° Connector, T&B #XC-290	1417		
Cable Clamp, 1/2" Heyco #3328	16227		
Sheetmetal Screws	(3) 11813		
Wire Connector 73B	(10) 16354		

# Blower Motor, Capacitor, Starter, and Contactor

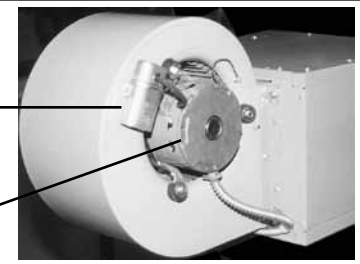
## Model UDBP and UDBS Sizes 30-125

Code	Description	30	45	60	75	100	125
26	Direct Drive Motor Assembly	202731	202732	202733			
26A	Motor	201760	201761	201762			
		1/6 HP	1/3 HP	3/4 HP			
26C	Motor Band	51221					
26D	Support Arm	(3) 51223			(3) 220629		
26E	Hex Head Cap Screw 1/4" - 20 X 1-1/2" long	51231					
26F	1/4" - 20 Nut (Keps)	7328					
26G	BX Cable, 3/8"	2889, 30"				174387, 43"	
26H	Anti-Short Bushing	(2) 16358					
27	Blower Motor Capacitor, 370V	101917	101918	201763			
		5MFD	7.5MFD	15MFD			
28A	Capacitor End Cap	82113					
28B	Capacitor Strap Bracket	82114					

### CODE 26 - Direct Drive Motor

### CODE 27- Motor Capacitor

### CODE 26A - Motor



### CODE 29 - Belt Drive Blower Motor



### CODE 30 and 31 - Motor Starter and Overload



### CODE 32 - Blower Motor Contactor

Motors that don't list a contactor require a starter.  
If a contactor is listed below, starter is optional.



## Model UDBP and UDBS Sizes 150-400 -

### CODE 29 - Belt Drive Motor; CODE 30 - Starter Overload; CODE 31 - Motor Starter; CODE 32 - Contactor

Motors that don't list a contactor require a starter. If a contactor is listed, starter is optional.

MOTOR Type	HP	Mfr Model No.	Reznor® P/N	Volt	ph	FLA	Frame	Shaft	Service Factor	Power Factor	Efficiency	OVERLOAD				STARTER			CONTACTOR	
												min	max	GE #	P/N	GE #	P/N	GE #	P/N	
Open	1/4	BF2024	210611	120	1	4.6	48/56	1/2	1.35			4.00	6.30	RTA1-L	151191	CL00A310T-J	151146	42AF35AF	119626	
Open	1/4	BF2024	210611	208	1	2.3	48/56	1/2	1.15	63	59.0%	1.80	2.70	RTA1-J	151189	CL00A310T-L	151150	42AF35AG	119627	
Open	1/4	BF2024	210611	240	1	2.3	48/56	1/2	1.15	63	59.0%	1.80	2.70	RTA1-J	151189	CL00A310T-S	151147	42AF35AG	119627	
Open	1/4	M3003	115864	208	3	1.1	K48	1/2	1.35	72	74.0%	1.00	1.50	RTA1-G	151187	CL00A310T-L	151150	-	-	
Open	1/4	M3003	115864	240	3	1.4	K48	1/2	1.35	72	74.0%	1.00	1.50	RTA1-G	151187	CL00A310T-S	151147	-	-	
Open	1/4	M3003	115864	480	3	0.75	K48	1/2	1.35	72	81.0%	0.65	1.10	RTA1-F	151186	CL00A310T-J	151146	-	-	
Open	1/3	BF2034	202091	120	1	6.0	48/56	1/2	1.35			4.00	6.30	RTA1-L	151191	CL00A310T-J	151146	42AF35AF	119626	
Open	1/3	BF2034	202091	208	1	3.0	48/56	1/2	1.35			2.50	4.10	RTA1-K	151190	CL00A310T-L	151150	42AF35AG	119627	
Open	1/3	BF2034	202091	240	1	3.0	48/56	1/2	1.35			2.50	4.10	RTA1-K	151190	CL00A310T-S	151147	42AF35AG	119627	
Open	1/3	M3007	115863	208	3	1.4	K48	1/2	1.35			1.80	2.70	RTA1-J	151189	CL00A310T-L	151150	-	-	
Open	1/3	M3007	115863	240	3	1.6	K48	1/2	1.35			1.30	1.90	RTA1-H	151188	CL00A310T-S	151147	-	-	
Open	1/3	M3007	115863	480	3	0.8	K48	1/2	1.35			0.65	1.10	RTA1-F	151186	CL00A310T-J	151146	-	-	
Open	1/2	BF2054	102627	120	1	8.8	56Z	5/8	1.15			8.00	12.00	RTA1-N	151193	CL00A310T-J	151146	42AF35AF	119626	
Open	1/2	BF2054	102627	208	1	5.1	56Z	5/8	1.15			4.00	6.30	RTA1-L	151191	CL00A310T-L	151150	42AF35AG	119627	
Open	1/2	BF2054	102627	240	1	4.4	56Z	5/8	1.15			4.00	6.30	RTA1-L	151191	CL00A310T-S	151147	42AF35AG	119627	
Open	1/2	H880	159183	208	3	2.5	LA56	5/8	1.25			1.80	2.70	RTA1-J	151189	CL00A310T-L	151150	42AF35AG	119627	
Open	1/2	H880	159183	240	3	3.0	LA56	5/8	1.25			2.50	4.10	RTA1-K	151190	CL00A310T-S	151147	42AF35AG	119627	
Open	1/2	H880	159183	480	3	1.5	LA56	5/8	1.25			1.30	1.90	RTA1-H	151188	CL00A310T-J	151146	42AF35AF	119626	
Open	1/2	H991	202089	575	3	0.9	H56	5/8	1.25			0.65	1.10	RTA1-F	151186	CL00A310T-J	151146	-	-	
Open	3/4	AOS-C426V1	93548	120	1	11.0	B56	5/8	1.25			10.00	16.00	RTA1-P	151194	CL01A310T-J	151151	42AF35AF	119626	
Open	3/4	AOS-C426V1	93548	208	1	5.5	B56	5/8	1.25			4.00	6.30	RTA1-L	151191	CL00A310T-L	151150	42AF35AG	119627	
Open	3/4	AOS-C426V1	93548	240	1	5.4	B56	5/8	1.25			4.00	6.30	RTA1-L	151191	CL00A310T-S	151147	42AF35AG	119627	
Open	3/4	312P696	36951	208	3	2.9	D56	5/8	1.25			2.50	4.10	RTA1-K	151190	CL00A310T-L	151150	42AF35AG	119627	
Open	3/4	312P696	36951	240	3	2.6	D56	5/8	1.25			2.50	4.10	RTA1-K	151190	CL00A310T-S	151147	42AF35AG	119627	
Open	3/4	312P696	36951	480	3	1.3	D56	5/8	1.25			1.00	1.50	RTA1-G	151187	CL00A310T-J	151146	42AF35AF	119626	
Open	3/4	H992	202090	575	3	1.0	H56	5/8	1.25			0.65	1.10	RTA1-F	151186	CL00A310T-J	151146	-	-	
Open	1	C523	13685	120	1	13.0	H56	5/8	1.25			10.00	16.00	RTA1-P	151194	CL01A310T-J	151151	42AF35AF	119626	
Open	1	C523	13685	208	1	7.5	H56	5/8	1.25			5.50	8.50	RTA1-M	151192	CL00A310T-L	151147	42AF35AG	119627	
Open	1	C523	13685	240	1	6.5	H56	5/8	1.25			5.50	8.50	RTA1-M	151192	CL00A310T-S	151147	42AF35AG	119627	
Open	1	AOS-H882L	36580	208	3	3.4	56H	5/8	1.15		79.0%	2.50	4.10	RTA1-K	151190	CL00A310T-L	151150	42AF35AG	119627	
Open	1	AOS-H882L	36580	240	3	3.7	56H	5/8	1.15		79.0%	2.50	4.10	RTA1-K	151190	CL00A310T-S	151147	42AF35AG	119627	
Open	1	AOS-H882L	36580	480	3	2.0	56H	5/8	1.15		79.0%	1.80	2.70	RTA1-J	151189	CL00A310T-J	151146	42AF35AF	119626	
Open	1	H959	158175	575	3	1.4	JA56	7/8	1.15		82.5%	1.00	1.50	RTA1-G	151187	CL00A310T-J	151146	-	-	
Open	1.5	C621	194202	120	1	15.0	56	5/8	1.2	86.4	77.2%	10.00	16.00	RTA1-P	151194	CL02A310T-J	151156	42AF35AF	119626	
Open	1.5	C621	194202	208	1	7.8	56	5/8	1.2	86.4	77.2%	5.50	8.50	RTA1-M	151192	CL00A310T-L	151150	42AF35AG	119627	
Open	1.5	C621	194202	240	1	7.5	56	5/8	1.2	86.4	77.2%	5.50	8.50	RTA1-M	151192	CL00A310T-S	151147	42AF35AG	119627	
Open	1.5	AOS-H884L	115859	208	3	5.6	UA56	5/8	1.15	66.4	78.6%	4.00	6.30	RTA1-L	151191	CL00A310T-L	151150	42AF35AG	119627	
Open	1.5	AOS-H884L	115859	240	3	5.0	UA56	5/8	1.15	66.4	78.6%	4.00	6.30	RTA1-L	151191	CL00A310T-S	151147	42AF35AG	119627	
Open	1.5	AOS-H884L	115859	480	3	2.8	UA56	5/8	1.15	66.4	78.6%	2.50	4.10	RTA1-K	151190	CL00A310T-J	151146	42AF35AF	119626	
Open	1.5	AOS-H960	158162	575	3	2.0	LA56H	7/8	1.15	85.3	84.0%	1.80	2.70	RTA1-J	151189	CL00A310T-J	151146	-	-	
Open	2	AOS-RB1204AV1	202581	120	1	24.6	56H	5/8	1			21.00	26.00	RTA1-U	151197	CL04A310M-J	151165	42AF35AF	119626	
Open	2	AOS-RB1204AV1	202581	208	1	12.3	56H	5/8	1.15			10.00	16.00	RTA1-P	151194	CL01A310T-L	151155	42AF35AG	119627	
Open	2	AOS-RB1204AV1	202581	240	1	12.3	56H	5/8	1.15			10.00	16.00	RTA1-P	151194	CL01A310T-S	151152	42AF35AG	119627	
Open	2	AOS-H886	159327	208	3	7.0	56HZ	7/8	1.15	67	79.0%	5.50	8.50	RTA1-M	151192	CL00A310T-L	151150	42AF35AG	119627	
Open	2	AOS-H886	159327	240	3	6.6	56HZ	7/8	1.15	67	79.0%	5.50	8.50	RTA1-M	151192	CL00A310T-S	151147	42AF35AG	119627	
Open	2	AOS-H886	159327	480	3	3.5	56HZ	7/8	1.15	67	79.0%	2.50	4.10	RTA1-K	151190	CL00A310T-J	151146	42AF35AF	119626	
Open	2	AOS-H965V1	158176	575	3	2.6	L56	7/8	1.15	86	84.0%	1.80	2.70	RTA1-J	151189	CL00A310T-J	151146	-	-	
Open	3	AOS-B735	111560	208	1	13.7	L56	5/8	1.15	94.5	80.3%	10.00	16.00	RTA1-P	151194	CL02A310T-L	151159	-	-	
Open	3	AOS-B735	111560	240	1	12.4	L56	5/8	1.15	94.5	80.3%	10.00	16.00	RTA1-P	151194	CL01A310T-S	151152	-	-	
Open	3	AOS-H845	159185	208	3	9.0	P56Z	7/8	1.15			8.00	12.00	RTA1-N	151193	CL00A310T-L	151150	42AF35AG	119627	



Motors that don't list a contactor require a starter. If a contactor is listed, starter is optional.

MOTOR Type	HP	Mfr Model No.	Reznor® P/N	Volt	ph	FLA	Frame	Shaft	Service Factor	Power Factor	Efficiency	OVERLOAD				STARTER			CONTACTOR	
												min	max	GE #	P/N	GE #	P/N	GE #	P/N	
Open	3	AOS-H845	159185	240	3	8.6	P56Z	7/8	1.15			8.00	12.00	RTA1-N	151193	CL00A310T-S	151147	42AF35AG	119627	
Open	3	AOS-H845	159185	480	3	4.3	P56Z	7/8	1.15			4.00	6.30	RTA1-L	151191	CL00A310T-J	151146	42AF35AF	119626	
Open	3	AOS-H954	120019	575	3	3.6	N56Z	7/8	1.15	80.3	83.8%	2.50	4.10	RTA1-K	151190	CL00A310T-J	151146	-	-	
Open	5	AOS-196033J	113371	208	3	13.4	Y56HZ	7/8	1.15	87.2	85.0%	10.00	16.00	RTA1-P	151194	CL01A310T-L	151155	-	-	
Open	5	AOS-196033J	113371	240	3	13.2	Y56HZ	7/8	1.15	87.2	85.0%	10.00	16.00	RTA1-P	151194	CL01A310T-S	151152	-	-	
Open	5	AOS-196033J	113371	480	3	6.6	Y56HZ	7/8	1.15	87.2	85.0%	5.50	8.50	RTA1-M	151192	CL00A310T-J	151146	-	-	
Open	5	AOS-H956	120020	575	3	5.4	Y56HZ	7/8	1.15	85.9	85.3%	4.00	6.30	RTA1-L	151191	CL00A310T-J	151146	-	-	
TEFC	1/4	USMTR T14CA2J9	16074*	120	1	6.5	H56	5/8	1			5.50	8.50	RTA1-M	151190	CL00A310T-J	151146	42AF35AF	119626	
TEFC	1/4	USMTR T14CA2J9	16074*	208	1	2.8	H56	5/8	1.35			2.50	4.10	RTA1-K	151190	CL00A310T-L	151150	42AF35AG	119627	
TEFC	1/4	USMTR T14CA2J9	16074*	240	1	3.2	H56	5/8	1.35			2.50	4.10	RTA1-K	151190	CL00A310T-S	151147	42AF35AG	119627	
TEFC	1/4	USMTR T14S2A	271443**	208	3	1.1	56	5/8	1	61.9	72.1%	1.00	1.90	RTA1-G	151187	CL00A310T-L	151150	42AF35AG	119627	
TEFC	1/4	USMTR T14S2A	271443**	240	3	1.1	56	5/8	1	61.9	72.1%	1.00	1.50	RTA1-G	151187	CL00A310T-S	151147	42AF35AG	119627	
TEFC	1/4	USMTR T14S2A	271443**	480	3	0.5	56	5/8	1	61.9	72.1%	0.40	0.65	RTA1-D	151184	CL00A310T-J	151146	42AF35AF	119626	
TEFC	1/3	AOS-906L	115861	120	1	4.6	N48	1/2	1	68.5	72.1%	4.00	6.30	RTA1-L	151191	CL00A310T-J	151146	42AF35AF	119626	
TEFC	1/3	AOS-C151	159501	208	1	2.3	N48	1/2	1	67.2	69.5%	1.80	2.70	RTA1-J	151189	CL00A310T-L	151150	42AF35AG	119627	
TEFC	1/3	AOS-C151	159501	240	1	2.4	N48	1/2	1	67.2	69.5%	1.80	2.70	RTA1-J	151189	CL00A310T-S	151147	42AF35AG	119627	
TEFC	1/3	AOS-H261	105567	208	3	1.2	L48	1/2	1.15			1.00	1.50	RTA1-G	151187	CL00A310T-L	151150	-	-	
TEFC	1/3	AOS-H261	105567	240	3	1.2	L48	1/2	1.15			1.00	1.50	RTA1-G	151187	CL00A310T-S	151147	-	-	
TEFC	1/3	AOS-H261	105567	480	3	0.6	L48	1/2	1.15			0.40	0.65	RTA1-D	151184	CL00A310T-J	151146	-	-	
TEFC	1/2	AOS-C613	159184	120	1	7.2	J56	5/8	1.15			5.50	8.50	RTA1-M	151192	CL00A310T-J	151146	42AF35AF	119626	
TEFC	1/2	AOS-C613	159184	208	1	3.5	J56	5/8	1.15			2.50	4.10	RTA1-K	151190	CL00A310T-L	151150	42AF35AG	119627	
TEFC	1/2	AOS-C613	159184	240	1	3.6	J56	5/8	1.15			2.50	4.10	RTA1-K	151190	CL00A310T-S	151147	42AF35AG	119627	
TEFC	1/2	AOS-H274	16077	208	3	2.3	H56	5/8	1	59.5	74.8%	1.80	2.70	RTA1-J	151189	CL00A310T-L	151150	42AF35AG	119627	
TEFC	1/2	AOS-H274	16077	240	3	2.0	H56	5/8	1	59.5	74.8%	1.80	2.70	RTA1-J	151189	CL00A310T-S	151147	42AF35AG	119627	
TEFC	1/2	AOS-H274	16077	480	3	1.0	H56	5/8	1	59.5	74.8%	0.65	1.10	RTA1-F	151186	CL00A310T-J	151146	42AF35AF	119626	
TEFC	1/2	AOS-H276	105568	575	3	0.7	J56	5/8	1.15	76.4	77.0%	0.65	1.10	RTA1-F	151186	CL00A310T-J	151146	-	-	
TEFC	3/4	AOS-F353	115860	120	1	11.0	F56	5/8	1	66	65.7%	10.00	16.00	RTA1-P	151194	CL01A310T-J	151151	42AF35AF	119626	
TEFC	3/4	AOS-F353	115860	208	1	5.4	F56	5/8	1	66	65.7%	4.00	6.30	RTA1-L	151191	CL00A310T-L	151150	42AF35AG	119627	
TEFC	3/4	AOS-F353	115860	240	1	5.5	F56	5/8	1	66	65.7%	4.00	6.30	RTA1-L	151191	CL00A310T-S	151147	42AF35AG	119627	
TEFC	3/4	AOS-H580	20371	208	3	2.0	KA56	5/8	1	73.5	81.1%	1.80	2.70	RTA1-J	151189	CL00A310T-L	151150	42AF35AG	119627	
TEFC	3/4	AOS-H580	20371	240	3	2.2	KA56	5/8	1	73.5	81.1%	1.80	2.70	RTA1-J	151189	CL00A310T-S	151147	42AF35AG	119627	
TEFC	3/4	AOS-H580	20371	480	3	1.1	KA56	5/8	1	73.5	81.1%	1.00	1.50	RTA1-G	151187	CL00A310T-J	151146	42AF35AF	119626	
TEFC	3/4	AOS-H461	105569	575	3	0.8	L56	5/8	1.15	78.3	82.0%	0.65	1.10	RTA1-F	151186	CL00A310T-J	151146	-	-	
TEFC	1	AOS-159105	174993	120	1	12.0	L56	5/8	1.15	74.3	70.6%	10.00	16.00	RTA1-P	151194	CL01A310T-J	151151	42AF35AF	119626	
TEFC	1	AOS-159105	174993	208	1	6.2	L56	5/8	1.15	74.3	70.6%	5.50	8.50	RTA1-M	151192	CL00A310T-L	151150	42AF35AG	119627	
TEFC	1	AOS-159105	174993	240	1	6.0	L56	5/8	1.15	74.3	70.6%	5.50	8.50	RTA1-M	151192	CL00A310T-S	151147	42AF35AG	119627	
TEFC	1	WEG-00118E	271444**	208	3	3.3	D56	5/8	1	74.4	80.2%	2.50	4.10	RTA1-K	151190	CL00A310T-L	151150	42AF35AG	119627	
TEFC	1	WEG-00118E	271444**	240	3	3.1	D56	5/8	1	74.4	80.2%	2.50	4.10	RTA1-K	151190	CL00A310T-S	151147	42AF35AG	119627	
TEFC	1	WEG-00118E	271444**	480	3	1.6	D56	5/8	1	74.4	80.2%	1.30	1.90	RTA1-H	151188	CL00A310T-J	151146	42AF35AF	119626	
TEFC	1	AOS-H525	105570	575	3	1.4	56	5/8	1.15	71.6	80.4%	1.00	1.50	RTA1-G	151187	CL00A310T-J	151146	-	-	
TEFC	1.5	AOS-C686	94347	120	1	16.4	TK56H	5/8				14.50	18.00	RTA1-S	151196	CL02A310T-J	151156	42AF35AF	119626	
TEFC	1.5	AOS-C686	94347	208	1	9.5	TK56H	5/8				8.00	12.00	RTA1-N	151193	CL00A310T-L	151150	42AF35AG	119627	
TEFC	1.5	AOS-C686	94347	240	1	8.2	TK56H	5/8				8.00	12.00	RTA1-N	151193	CL00A310T-S	151147	42AF35AG	119627	
TEFC	1.5	WEG-00158E	271445**	208	3	4.3	D56	5/8	1	80.9	82.4%	4.00	6.30	RTA1-L	151191	CL00A310T-L	151150	42AF35AG	119627	
TEFC	1.5	WEG-00158E	271445**	240	3	4.4	D56	5/8	1	80.9	82.4%	4.00	6.30	RTA1-L	151191	CL00A310T-S	151147	42AF35AG	119627	
TEFC	1.5	WEG-00158E	271445**	480	3	2.2	D56	5/8	1	80.9	82.4%	1.80	2.70	RTA1-J	151189	CL00A310T-J	151146	42AF35AF	119626	
TEFC	1.5	AOS-T59027	105665	575	3	1.7	145T	7/8	1.15	85.7	84.0%	1.30	1.90	RTA1-H	151188	CL00A310T-J	151146	-	-	
TEFC	2	L3516M	205881	230	1	8.3	56HZ	7/8	1.15	99	78.0%	5.50	8.50	RTA1-M	151192	CL00A310T-I	151147	42AF35AG	119627	
TEFC	2	WEST-NP0024	158165	208	3	7.6	145T	7/8	1.15	77.5	84.0%	5.50	8.50	RTA1-M	151192	CL00A310T-L	151150	-	-	
TEFC	2	WEST-NP0024	158165	240	3	5.6	145T	7/8	1.15	77.5	84.0%	4.00	6.30	RTA1-L	151191	CL00A310T-S	151147	-	-	
TEFC	2	WEST-NP0024	158165	480	3	2.8	145T	7/8	1.15	77.5	84.0%	2.50	4.10	RTA1-K	151190	CL00A310T-J	151146	-	-	
TEFC	2	AOS-T59028	158166	575	3	2.2	145T	7/8	1.15	77.5	84.0%	1.80	2.70	RTA1-J	151189	CL00A310T-J	151146	-	-	
TEFC	3	M3559T	159330	208	3	7.7	145T	7/8	1.15	85.5	85.5%	5.50	8.50	RTA1-M	151192	CL00A310T-L	151150	-	-	
TEFC	3	M3559T	159330	240	3	7.0	145T	7/8	1.15	85.5	85.5%	5.50	8.50	RTA1-M	151192	CL00A310T-S	151147	-	-	
TEFC	3	M3559T	159330	480	3	3.5	145T	7/8	1.15	85.5	85.5%	2.50	4.10	RTA1-K	151190	CL00A310T-J	151146	-	-	
TEFC	3	B-EM3559T-5	111571	575	3	2.8	145T	7/8	1.15	85.5	85.5%	2.50	4.10	RTA1-K	151190	CL00A310T-J	151146	-	-	

**TEFC Motor Replacement Notes:**

**\*Shaft Size Change**

\* TEFC 1/4 HP, 120/1 phase - Replacement motor shaft size is 5/8" (original AOS motor was 1/2").

**\*\*Starter Required**

\*\*TEFC 1/4 HP, 208/230/480/3 phase - Replacement Motor P/N 271443 requires a starter; consult the factory providing wiring diagram or serial number to determine appropriate starter and overload.

\*\*TEFC 1 HP, 208/230/480/3 phase - Replacement Motor P/N 271444 requires a starter; consult the factory providing wiring diagram or serial number to determine appropriate starter and overload.

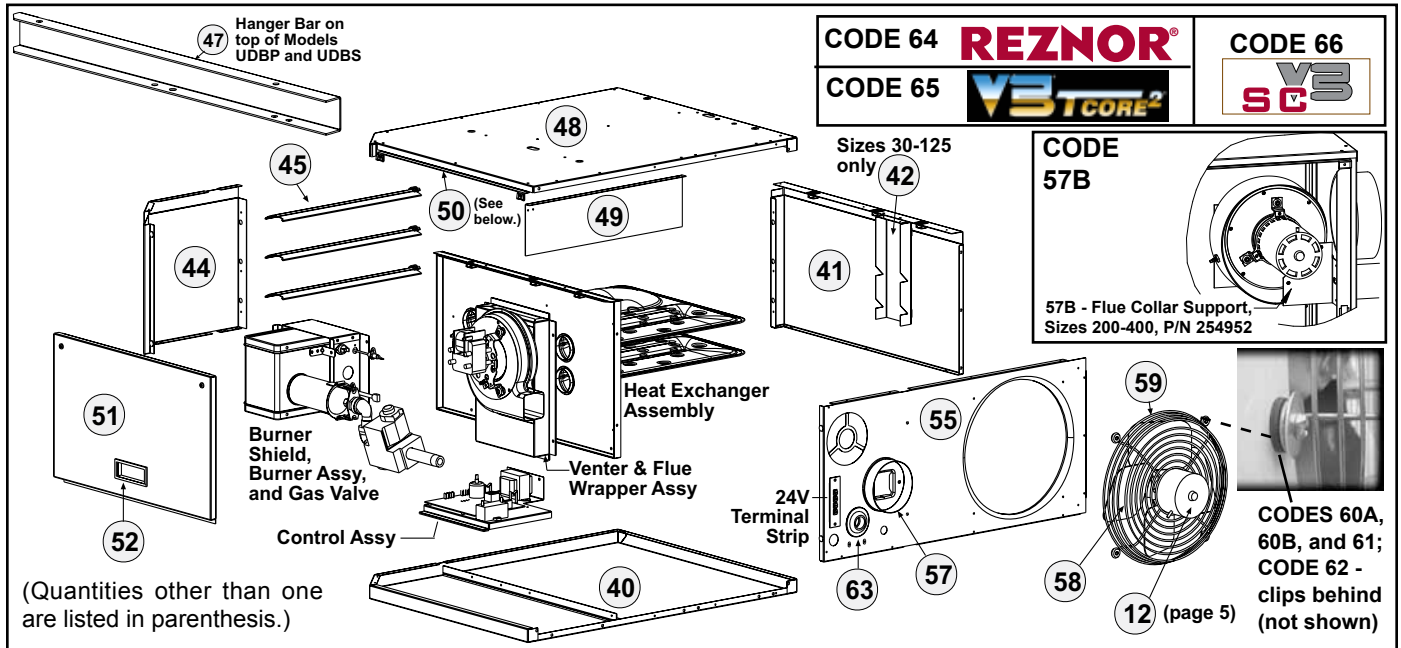
\*\*TEFC 1.5 HP, 208/230/480/3 phase - Replacement Motor P/N 271445 requires a starter; consult the factory providing wiring diagram or serial number to determine appropriate starter and overload.

**Drives - CODE 35 - Motor Pulley, CODE 36 - Blower Pulley, CODE 37 - Belt**

UDBP and UDBS	OPEN MOTOR HP	Option AL	Voltage Option	Drive, Option AM	Motor Pulley			Blower Pulley			Average Belt Links and Type*
					P/N	Model	Bore	P/N	Model	Bore	
150 and 175	1/4, 1/3	2, 3	AK1, AK2, AK3, AK5, AK6, AK7	1, 2	4074	1VL34	1/2	111609	AK 99	1	"A-section" 3.8 ft
				3, 4	13491	1VL40	1/2	111609	AK 99	1	"A-section" 3.8 ft
				5, 6, 7	13491	1VL40	1/2	19111	AK 84	1	"A-section" 3.8 ft
				8, 9, 10, 11, 12	13491	1VL40	1/2	18797	AK 64	1	"A-section" 3.8 ft
				13, 14, 15, 16, 17	13491	1VL40	1/2	135200	AK 51	1	"A-section" 3.8 ft
150, 175, 200, 225, 250, 300, 350, and 400	1/2, 3/4, 1, 1-1/2	4, 5, 6, 7	AK1, AK2, AK3, AK5, AK6, AK7	1, 2	13580	1VL34	5/8	111609	AK 99	1	"A-section" 3.8 ft
				3, 4	7962	1VL40	5/8	111609	AK 99	1	"A-section" 3.8 ft
				5, 6, 7	7962	1VL40	5/8	19111	AK 84	1	"A-section" 3.8 ft
				8, 9, 10, 11, 12	7962	1VL40	5/8	18797	AK 64	1	"A-section" 3.8 ft
				13, 14, 15, 16, 17	7962	1VL40	5/8	135200	AK 51	1	"A-section" 3.8 ft
150, 175, 200, 225, 250, 300, 350, and 400	1/2, 3/4	4, 5	AK8	1, 2	13580	1VL34	5/8	111609	AK 99	1	"A-section" 3.8 ft
				3, 4	7962	1VL40	5/8	111609	AK 99	1	"A-section" 3.8 ft
				5, 6, 7	7962	1VL40	5/8	19111	AK 84	1	"A-section" 3.8 ft
				8, 9, 10, 11, 12	7962	1VL40	5/8	18797	AK 64	1	"A-section" 3.8 ft
				13, 14, 15, 16, 17	7962	1VL40	5/8	135200	AK 51	1	"A-section" 3.8 ft
150, 175, 200, 225, 250, 300, 350, and 400	1, 1-1/2	6, 7	AK8	1, 2	110125	1VP34	7/8	111609	AK 99	1	"A-section" 3.8 ft
				3, 4	106748	1VL40	7/8	111609	AK 99	1	"A-section" 3.8 ft
				5, 6, 7	106748	1VL40	7/8	19111	AK 84	1	"A-section" 3.8 ft
				8, 9, 10, 11, 12	106748	1VL40	7/8	18797	AK 64	1	"A-section" 3.8 ft
				13, 14, 15, 16, 17	106748	1VL40	7/8	135200	AK 51	1	"A-section" 3.8 ft
150, 175, 200, 225, 250, 300, 350, and 400	2	8	AK1, AK2, AK3	1, 2	13580	1VL34	5/8	111609	AK 99	1	"A-section" 3.8 ft
				3, 4	7962	1VL40	5/8	111609	AK 99	1	"A-section" 3.8 ft
				5, 6, 7	7962	1VL40	5/8	19111	AK 84	1	"A-section" 3.8 ft
				8, 9, 10, 11, 12	7962	1VL40	5/8	18797	AK 64	1	"A-section" 3.8 ft
				13, 14, 15, 16, 17	7962	1VL40	5/8	135200	AK 51	1	"A-section" 3.8 ft
150, 175, 200, 225, 250, 300, 350, and 400	2	8	AK5, AK6, AK7, AK8	1, 2	110125	1VP34	7/8	111609	AK 99	1	"A-section" 3.8 ft
				3, 4	106748	1VL40	7/8	111609	AK 99	1	"A-section" 3.8 ft
				5, 6, 7	106748	1VL40	7/8	19111	AK 84	1	"A-section" 3.8 ft
				8, 9, 10, 11, 12	106748	1VL40	7/8	18797	AK 64	1	"A-section" 3.8 ft
				13, 14, 15, 16, 17	106748	1VL40	7/8	135200	AK 51	1	"A-section" 3.8 ft
150, 175, 200, 225, 250, 300, 350, 400	3	9	AK2, AK3	9, 10, 11, 12	7962	1VL40	5/8	202652	AK124	1	"A-section" 3.8 ft
				13, 14, 15, 16, 17, 18, 19	7962	1VL40	5/8	202653	AK94	1	"A-section" 3.8 ft
150, 175, 200, 225, 250, 300, 350, 400	3, 5	9, 10	AK5, AK6, AK7, AK8	9, 10, 11, 12	106748	1VL40	7/8	101414	BK130	1	"B-section" 3.8 ft
				13, 14, 15, 16, 17	106748	1VL40	7/8	202654	BK105	1	"B-section" 3.8 ft
UDBP and UDBS	TEFC MOTOR HP	Option AL	Voltage Option	Drive, Option AM	Motor Pulley			Blower Pulley			Average Belt Links and Type*
					P/N	Model	Bore	P/N	Model	Bore	
150 and 175	1/4	19	AK1	1, 2	4074	1VL34	1/2	111609	AK 99	1	"A-section" 3.8 ft
				3, 4	13491	1VL40	1/2	111609	AK 99	1	"A-section" 3.8 ft
				5, 6, 7	13491	1VL40	1/2	19111	AK 84	1	"A-section" 3.8 ft
				8, 9, 10, 11, 12	13491	1VL40	1/2	18797	AK 64	1	"A-section" 3.8 ft
				13, 14, 15, 16, 17	13491	1VL40	1/2	135200	AK 51	1	"A-section" 3.8 ft
150, 175, 200, 225, 250, 300, 350, and 400	1/4	19	AK2, AK3, AK5, AK6, AK7	1, 2	13580	1VL34	5/8	111609	AK 99	1	"A-section" 3.8 ft
				3, 4	7962	1VL40	5/8	111609	AK 99	1	"A-section" 3.8 ft
				5, 6, 7	7962	1VL40	5/8	19111	AK 84	1	"A-section" 3.8 ft
				8, 9, 10, 11, 12	7962	1VL40	5/8	18797	AK 64	1	"A-section" 3.8 ft
				13, 14, 15, 16, 17	7962	1VL40	5/8	135200	AK 51	1	"A-section" 3.8 ft
150 and 175	1/3	20	AK1, AK2, AK3, AK5, AK6, AK7	1, 2	4074	1VL34	1/2	111609	AK 99	1	"A-section" 3.8 ft
				3, 4	13491	1VL40	1/2	111609	AK 99	1	"A-section" 3.8 ft
				5, 6, 7	13491	1VL40	1/2	19111	AK 84	1	"A-section" 3.8 ft
				8, 9, 10, 11, 12	13491	1VL40	1/2	18797	AK 64	1	"A-section" 3.8 ft
				13, 14, 15, 16, 17	13491	1VL40	1/2	135200	AK 51	1	"A-section" 3.8 ft
150, 175, 200, 225, 250, 300, 350, and 400	1/2, 3/4, 1	21, 22, 23	AK1, AK2, AK3, AK5, AK6, AK7, AK8	1, 2	13580	1VL34	5/8	111609	AK 99	1	"A-section" 3.8 ft
				3, 4	7962	1VL40	5/8	111609	AK 99	1	"A-section" 3.8 ft
				5, 6, 7	7962	1VL40	5/8	19111	AK 84	1	"A-section" 3.8 ft
				8, 9, 10, 11, 12	7962	1VL40	5/8	18797	AK 64	1	"A-section" 3.8 ft
				13, 14, 15, 16, 17	7962	1VL40	5/8	135200	AK 51	1	"A-section" 3.8 ft
150, 175, 200, 225, 250, 300, 350, and 400	1-1/2	24	AK1, AK2, AK3, AK5, AK6, AK7	1, 2	13580	1VL34	5/8	111609	AK 99	1	"A-section" 3.8 ft
				3, 4	7962	1VL40	5/8	111609	AK 99	1	"A-section" 3.8 ft
				5, 6, 7	7962	1VL40	5/8	19111	AK 84	1	"A-section" 3.8 ft
				8, 9, 10, 11, 12	7962	1VL40	5/8	18797	AK 64	1	"A-section" 3.8 ft
				13, 14, 15, 16, 17	7962	1VL40	5/8	135200	AK 51	1	"A-section" 3.8 ft
150, 175, 200, 225, 250, 300, 350, and 400	1-1/2	24	AK8	1, 2	110125	1VP34	7/8	111609	AK 99	1	"A-section" 3.8 ft
				3, 4	106748	1VL40	7/8	111609	AK 99	1	"A-section" 3.8 ft
				5, 6, 7	106748	1VL40	7/8	19111	AK 84	1	"A-section" 3.8 ft
				8, 9, 10, 11, 12	106748	1VL40	7/8	18797	AK 64	1	"A-section" 3.8 ft
				13, 14, 15, 16, 17	106748	1VL40	7/8	135200	AK 51	1	"A-section" 3.8 ft
150, 175, 200, 225, 250, 300, 350, and 400	2	25	AK5, AK6, AK7, AK8	1, 2	110125	1VP34	7/8	111609	AK 99	1	"A-section" 3.8 ft
				3, 4	106748	1VL40	7/8	111609	AK 99	1	"A-section" 3.8 ft
				5, 6, 7	106748	1VL40	7/8	19111	AK 84	1	"A-section" 3.8 ft
				8, 9, 10, 11, 12	106748	1VL40	7/8	18797	AK 64	1	"A-section" 3.8 ft
				13, 14, 15, 16, 17	106748	1VL40	7/8	135200	AK 51	1	"A-section" 3.8 ft
150, 175, 200, 225, 250, 300, 350, 400	3	26	AK5, AK6, AK7, AK8	9, 10, 11, 12	106748	1VL40	7/8	101414	BK130	1	"B-section" 3.8 ft
				13, 14, 15, 16, 17	106748	1VL40	7/8	202654	BK105	1	"B-section" 3.8 ft

\* Assume 17 belt links per foot. CODE 37, "A" Belt link, P/N 201809, Fenner #0408030; "B" Belt link, P/N 202655, Fenner #0408050.

# Cabinet Parts

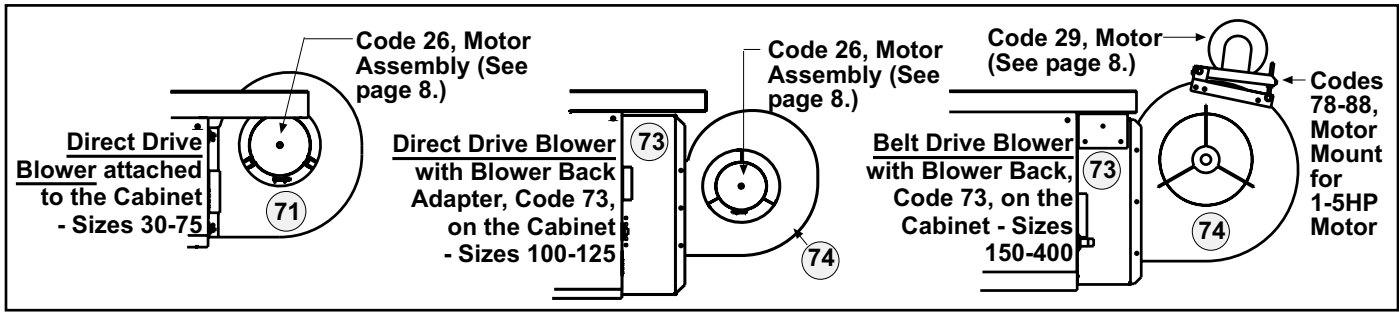


Code	Description	Model	30	45	60	75	100	125	150	175	200	225	250	300	350	400	
40	Bottom Pan Assembly	All	195772						196025				196350				
41	Left Side Panel	All	195492 **		195493 **		195494 **		195562			195563		195564			
42	Heat Exchanger Support	All	196317**	196318**	196319**	196320**	196321**	196322**	The heat exchanger support and support gaskets for Sizes 150-400 are part of the replacement heat exchanger; see page 14.								
43A	Ht Exchanger Support Gasket	All	(2) 236155														
43B	Sheet Metal Screw #8 - 18 x 3/8	All	195638														
44	Front Panel (if replacing on unit mfgd prior to 4/2010, requires top panel, Code 48.)	UDAP/UDAS	195489*		195490*		195491*		201692			201693		201694			
		UDBP/UDBS	201755		201756		201757		201692			201693		201694			
45A	Horizontal Louver	All	(3) 195314		(4) 195314		(6) 195314		(5) 195578			(7) 195578		(10) 195578			
45B	Compression Spring for Louvers	All	(3) 195046		(4) 195046		(6) 195046		(5) 195046			(7) 195046		(10) 195046			
46	Hanger Bar	Right	202744		202746		202748		202750		202752		202754		202756		
		Left	202743		202745		202747		202749		202751		202753		202755		
47	Clip Nut (for hanging)	All	(2) 196336														
48	Top Panel (effective 4/2010, includes Code 50; replacing on unit mfgd prior to 4/2010 requires new Code 44.)	UDAP/UDAS	195498 * and **						195556				195557				
		UDBP/UDBS	201406 **						202944				195557				
49	Top Air Baffle	UDAP/UDAS	195545	195546	195547	195548	195549	195550	--	--	--	--	--	--	--	--	
		UDBP/UDBS	--	--	--	--	--	--	202945	202946	--	--	--	--	--	--	
50	Top Door Seal	All	195999 (beginning 4/2010, part of top panel, Code 48)						196225 (beginning 4/2010, part of top panel, Code 48)								
51A	Access Door (door only without handle and gaskets)	UDAP/ UDBP	195483		195484		195485		195565			195566		195567			
		UDAS/ UDBS	207604		207605		207606		207607			207608		207609			
51B	Window Plug	All	207525														
52	Door Handle	All	196881														
53	Door Rubber	UDAP/UDBP	(4) 155064														
54	Door Gaskets	UDAS/UDBS	(2) 196331						(2) 201673								
		UDAP/UDAS	(2) 196332		(2) 196333		(2) 196334		(2) 201674			(2) 201675		(2) 201676			
55	Rear Panel - UDAS and UDBS include inlet collar. (Fan Model UDAP is illustrated.)	UDAP	195486		195487		195488*		196347		195558		195559		195560		
		UDAS	197035		197036		197037*		197038		197039		197040		197041		
		UDBP	201399		201400		196346		201789		201790		201791		201792		
		UDBS	201383		201384		201385		202319		202320		202321		202322		
56	Outlet Collar Gasket	All	170048						196822								
57A	Outlet Collar (attaches with screws)	UDAP w/std vent & UDBP	195077, 4"						195079, 5"		216950, 5"				216951, 6"		
		UDAP-CV w/Opt AV6	195077, 4"						195079, 5"		216950, 5"				216951, 6"		
		UDAS and UDBS	195077, 4"						195079, 5"		216950, 5"				216951, 6"		
57B	Flue (Outlet) Collar Support	All	254952 (See illustration top right corner.)														
58	Fan Blade (See motor shaft spacing on page 6.)	UDAP/UDAS	195644	195645	195646	195647	195648	195649	195678, Revcor 18, 3-22	195679, Revcor 18, 3-29	195680, Revcor 18, 3-32	195681, Revcor 20, 3-27	195682, Revcor 20, 3-30	195683, Revcor 20, 3-20	209122, Lau 61206801 (replaces 195684)	209121, Lau 61204001 (replaces 195685)	
		UDAP45 Low Noise, Opt AL2B	N/A	202960		N/A				N/A							
59	Fan Guard - std spacing	UDAP/UDAS	175266		175267		195047		170084			170085		170086			
	Fan Guard (AZ8) - fingerproof	UDAP/UDAS	260873		260874		260875		--			--		--			
60A	Fan Guard Isolator Bushing	UDAP/UDAS	(4) 196349						(4) 96451								
60B	Screws for Codes 60A & 61	UDAP/UDAS	(4) 196330						(4) 96452								
61	Fan Guard Isolator	UDAP/UDAS							(4) 196348								
62	Fan Guard Clips (in back)	UDAP/UDAS							(4) 54633								
63	Grommet for Pipe	UDAS/UDBS	102607						15021								
64	Reznor® Label	All	196690		196689		196691		196689			196691		196692			
65	V3® T-CORE® Label	UDAP/UDBP	196693														
66	SCV V3® Label	UDAS/UDBS	259897														
67	Cabinet Touchup Paint	All	201805, 11oz spray can, white														
68	Horizontal Louver Paint	All	207432, 12 oz aerosol can, maroon														

\* Parts changed effective 3/18/03. Not interchangeable with previously manufactured parts with same P/N.  
 \*\* Parts changed effective 4/12. Not interchangeable with previously manufactured parts with same P/N.

## Cabinet Parts (cont'd)

### Blower Backs and Blowers - UDBP and UDBS



Code	Description	30	45	60	75	100	125	150	175	200	225	250	300	350	400
70	Restrictor Assembly	201408	-	-	-	-	-	-	-	-	-	-	-	-	-
70A	Restrictor	194512	-	-	-	-	-	-	-	-	-	-	-	-	-
70B	Restrictor Angle	(3) 100892	-	-	-	-	-	-	-	-	-	-	-	-	-
70C	Sheetmetal Screw	(3) 195638	-	-	-	-	-	-	-	-	-	-	-	-	-
71	Blower Assembly	201401													
71A	Blower 9 X 6	82111													
71B	Blower Mounting Angle	(2) 201740													
71C	#10 x 1/2" Long Tekes	(6) 37661													
72	Blower Back Corner Post	-	-	-	-	196239		201797		201798		201799			
73	Blower Adapter Back Assy	-	-	-	-	201403		202931	201800	201801		201802			
73A	Adapter Back Bottom	-	-	-	-	202050	202050	201718		201719		201720			
73B	Adapter Back Top	-	-	-	-	196032	196032	201715		201716		201717			
73C	Adapter Back Left Side	-	-	-	-	197253	197253	201724		201725		201726			
73D	Adapter Back Right Side	-	-	-	-	197254	197254	201721		201722		201723			
73E	Screw	-	-	-	-	(20) 195638		(34) 195638		(26) 195638		(34) 195638			
73F	Air Baffle Horizontal	-	-	-	-	(2) 196344		202934	(2) 202932	-	-	(2) 202933			
73G	Air Baffle Vertical	-	-	-	-	196345	196345	-	-	-	-	-	-	-	-
73H	Hanger Support Bracket Left	-	-	-	-	-	-	202759							
73I	Hanger Support Bracket Right	-	-	-	-	-	-	202760							
73J	Bolt 1/4" X 5/8" (Hanger Support Bracket to Adapter Back)	-	-	-	-	-	-	(6) 47252							
73K	Nut 1/4" - 20	-	-	-	-	-	-	(6) 7328							
74	Blower	See CODE 71.				201770, 10x10		1360, 12x12		100658, 15x11		100659, 15x15			
75A	Key, 1/4" square x 1-1/4" long	-	-	-	-	-	-	16099							
75B	Blower Shaft	-	-	-	-	-	-	11303, 1 x 22				100747, 1 x 23			
75C	Blower Bearings	-	-	-	-	-	-	10437, SRC-16-1-1"							

### Blower Motor Mounting Components

Motor Mounting 1/4 - 3/4 HP Motor		150-250
76	Motor Adjustment Bracket Assembly	193996
76A	Motor Adjustment Bracket	12575
76B	5/16-18 Spotweld Nut	(2) 16233
76C	Hex Head Motor Adjustment, Bolt, 5/16-18 x 4" lg	(2) 14668
76D	5/16-18 Hex Nut	(2) 1035
76E	1/4-20 x 3/4" long Hex Head, Cap Screw	(2) 16246
76F	1/4-20 Hex Nut (Kep)	(2) 10650
76G	1/4" Flat Washer	(4) 1320
77	Hardware Bag for CODE 76	64940

Motor Mounting 1-5 HP Motor		175-200	225-250	300-400
78	Motor Mounting Plate for 1HP - 5HP	202839	202840	202841
79	Motor Mounting Plate Left Support	12576		
80	Motor Mounting Plate Right Support	12577		
81	Rod Bolt 5/16-18	(2) 12489		
82	Hex Nut 5/16-18	(2) 1035		
83	Hex Nut 5/16-18 (Keps)	(6) 6554		
84	Flat Washer 5/16"	(8) 1087		
85	5/16-18x3/4" lg Hex Head Cap Screw	(6) 16247		
86	5/16-18x1-1/2" lg Hex Head Cap Screw	(2) 16248		
87	5/16"-18 Threaded Insert #ATS2-518	(4) 124260		
88	#10-16 x 1/2" long Tekes	(4) 37661		

# Venter and Flue Wrapper Components

(Heat Exchanger Assembly, see page 14.)

The flue wrapper is attached with sheetmetal screws.

### CODE 109 - Venter Motor Capacitor

See P/N's below and location on page 4.

### CODE 100 - Venter Motor and Wheel Assemblies showing Components and Spacing

← 5/16" (8mm) inside

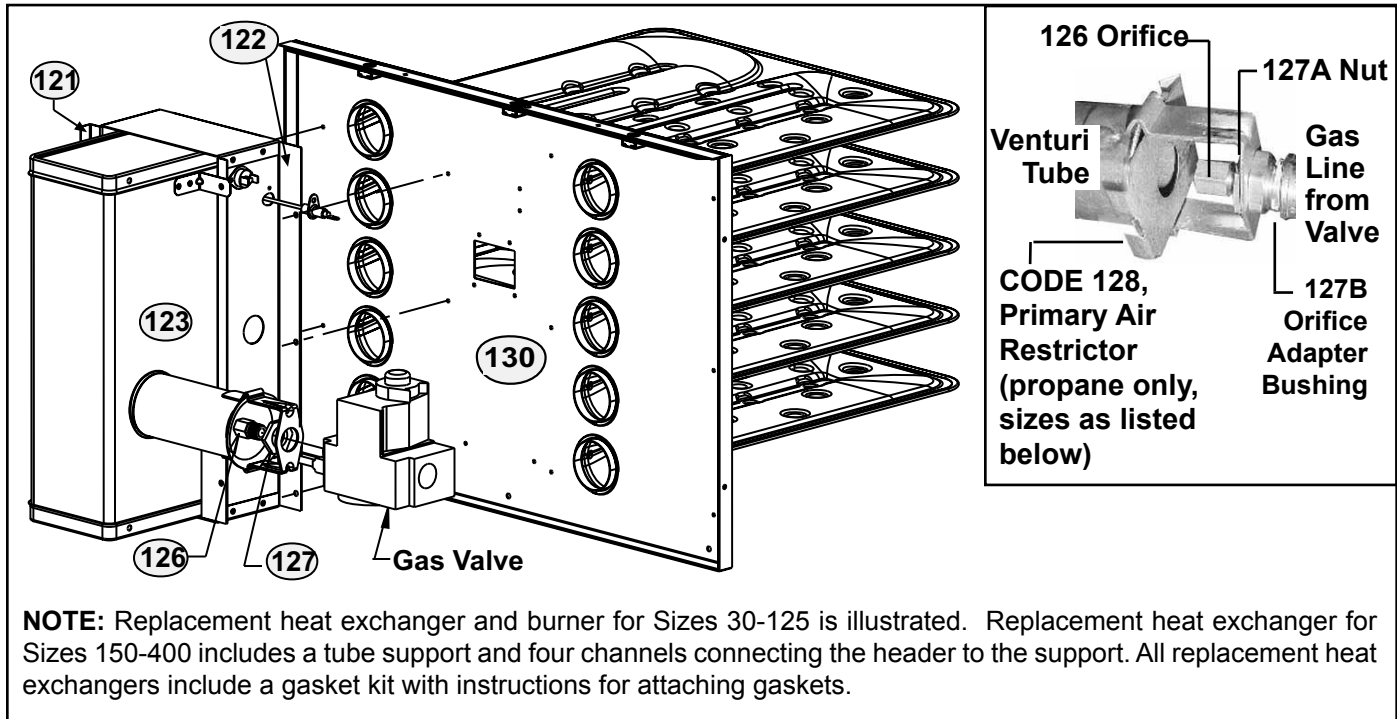
← 5/16" (8mm) inside

← 7/16" (11mm) inside

Code	Description	Model	30	45	60	75	100	125	150	175	200	225	250	300	350	400					
98	Venter Housing	All	196248									195634 prior to 7/23/09; 257029 after 7/23/09									
99	Venter Housing Gasket	All	196012									196013 prior to 7/23/09; 254935 after 7/23/09									
100	Venter Motor and Wheel Assy <b>NOTE:</b> 460V & 575V supply use 115V vnter motor.	115V All (not w/AV6)	220779			220780			220782			220784			220786						
		208/230V/1ph UDAP/UDAS	220781			220783			220785			220787									
		208/230V/3ph UDBP/UDBS	N/A			220783			220785			220787									
<b>NOTE: CODE 100 includes Codes 101, 102, 103A, 103B, 104, 106A, 106B, 107, 108A or B, and 110</b>																					
101	Venter Motor Bracket	All	195072			--			--			195072									
102	Venter Motor Isolator	All	--									(3) 194534									
103A	Venter Motor Isolator Bushing	All	--									(3) 194803									
103B	Venter Motor Isolator Bushing Screw	All	--									(3) 113275									
104	Venter Motor Plate	All	194806									194910									
105	Venter Motor Plate Gasket	All	--									201472									
106A	Venter Motor Clip	All	194805 (208/230V only)									(3) 194805									
106B	Venter Motor Clip Screw	All	92851 (208/230V only)									(3) 92851									
107	Venter Wheel	All Models except UDAP-CV	195036									195666									
		UDAP-CV w/AV6 (common vent)	211819									--									
108A	Venter Motor only <b>NOTE:</b> 460V and 575V supply use 115V venter motor.	115V All	175273			262444 *			196036			196037			196236						
		115V w/AV6 UDAP	217032			262444*			--			--			--						
		208/230V/1ph UDAP/UDAS	196827			196828			196829			196830									
108B	Vnter Mtr w/Opt D10&14 DDC Cntrl	115V UDAP/UDAS	N/A			207992 196036			208194   196037			196236   207892									
		208/230V/1ph UDBP/UDBS	N/A			196828			196829			196830									
109A	Vnter Motor Capacitor (in control compartment; see page 4) <b>NOTE:</b> 460V and 575V supply use 115V venter motor.	115V All	--	--	--	--	--	--	195641, 4MFD, 400 VAC, #MB40040EB			195643, 7.5MFD, 400 VAC, #MB40075EB			195642, 5MFD, 400VAC, #MB40050EB						
		208-230V/1ph UDAP/UDAS	--	--	--	--	--	--	195641, 4MFD, 400 VAC, #MB40040EB			195642, 5MFD, 400VAC, #MB40050EB			195641, 4MFD, 400 VAC, #MB40040EB						
		208-230V/3ph UDBP/UDBS	N/A			195642 195641			195643			195642   195643									
109B	Vnter Mtr Capacitor w/Opt D10&14 DDC	115V UDAP/UDAS	N/A			195642 195641			195643			195642   195643									
110	Venter Motor Cooling Fan	All	195766									196035									
111	Static Pressure Tap	All	116043									196035									
112	Silicone Rubber Tubing	All	148986, 6" long						148251, 12"			205837, 16"		130673, 20"		157904, 22"					
113	Flue Wrapper Assy - Sizes 200-400 manufactured prior to 7/23/09	UDAP w/ std power vent & UDBP	196000	196001	196002	196003	196004	196005	201473	204461	201475	201476	201477	201478	201481	202721					
		UDAP-CV with Option AV6	196802	196803	196804	196805	196806	--	--	--	--	--	--	--	--	--					
		UDAS	196807	196808	196809	196810	196811	196812	201473	204461	201475	201476	201477	201478	201481	202721					
		UDBS	202715	202716	202717	202718	202719	196812	201473	204461	201475	201476	201477	201478	201481	202721					
		UDAP w/ std power vent & UDBP	Same as P/N's listed above for Sizes 30-175.																		
113	Flue Wrapper Assy - Sizes 200-400 manufactured after 7/23/09	UDAP-CV with Option AV6	254944																		
		UDAS	254944																		
		UDBS	254944																		
114	Side Flue Wrapper Gasket	All - qty (2)	170029			170030			170031			170033   170034		170035		170042   170043		170044   170036		170037	
115	Top/Btm Flue Wrapper Gasket	All Qty (2)	170038						170039												

\* When replacing a McMillan motor, Reznor® P/N 256091, order replacement kit P/N 262444 plus Item Codes 102, 103A, 103B, and (4) 106B.

# Heat Exchanger and Burner Assemblies



**NOTE:** Replacement heat exchanger and burner for Sizes 30-125 is illustrated. Replacement heat exchanger for Sizes 150-400 includes a tube support and four channels connecting the header to the support. All replacement heat exchangers include a gasket kit with instructions for attaching gaskets.

## Burner Assembly (Quantities other than one are listed in parenthesis.)

Code	Description	Model	30	45	60	75	100	125	150	175	200	225	250	300	350	400	
121	Burner Shield Front Side	UDAP/UDAS	222100	222101	222102	222103	222105	222106	222107	222108	222109	222110	222111	222112			
		222104				222112								222113			
122	Burner Shield Rear Side	UDAP/UDAS	222127	222128	222129	222130	222131	222132	222133	222134	222136	222137	222138	222139			
		UDBP/UDBS	222147	222148	222149	222150	222151	222152						222139	222140		
123	Burner Assembly	UDAP/UDAS	195231	195232	195233	195234	195235	195236	195237	195238	195239	195240	195241	195242	195243		
		UDBP/UDBS	195231	195232	195233	202642	195235	195236						195242	195243		
123A	Burner End Gaskets	All	(2) 195667						(2) 195668								
124	Burner Baffle	UDAP/UDAS	--	--	--	--	(2) 196750	--	(2) 197238						(2) 197239	--	
		UDBP/UDBS	--	--	(2) 196749	(2) 202682	(2) 196750	(2) 202683	(2) 196751	--	(2) 197238						(2) 197239
125	Burner Support	All	(3) 196597 196752	(4) 196597			(6) 196597		(4) 196598			(6) 196598					
126	Burner Orifice	Natural Gas	196853 #37	196838 #30	196839 3.7MM	196855 #19	120158 #10	196840 #4	131581 5.9MM	196891 E	196892 6.8MM	221121 6.95MM	208255 L	221122 8.0MM	221123 8.7MM	196897 9.6MM	
		Propane	196844 1.6MM	196845 #48	196846 2.3MM	196852 #39	196854 3.0MM	196847 3.2MM	196898 9/64"	196899 #24	196900 4.1MM	196901 11/64"	196902 #14	196903 #8	196904 #3	196905 5.8MM	
127A	1/2" Pipe Nut		165702									194809, 3/4x3/8					
127B	Orifice Adapter Bushing		165701, 1/2x1/4									194809, 3/4x3/8					
128	Primary Air Restrictor	Propane only	UDAP/UDAS	196687		196688		--	196688	--	--	--	--	--	--	--	
		UDBP/UDBS	203078		202051		196688		--	--	--	--	--	--	--	--	
129	Gas Conversion Kits	Natural to Propane	UDAP/UDAS	269835		269836		269837		269838		269839		201732			
		UDBP/UDBS	269840		269841		269837		269838		269839		201732				
		All	269851		269852		269853		269854		269855		201738				

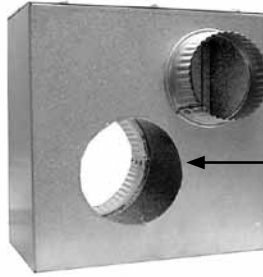
## Heat Exchanger Assembly (Quantities other than one are listed in parenthesis.)

Code	Description	30	45	60	75	100	125	150	175	200	225	250	300	350	400	
130	Heat Exchanger Assembly with Gasket Kit	UDAP and UDAS	Aluminized	201628	201629	201630	201631	201632	201633	201634	201635	201636	201637	201638	201639	201640
			409 SS	201654	201655	201656	201657	201658	201659	201660	201661	201662	201663	201664	201665	201666
			316 SS	201641	201642	201643	201644	201645	201646	201647	201648	201649	201650	201651	201652	201653
		UDBP and UDBS	Aluminized	202623	202624	202625	202626	202627	202628	201634	201635	201636	201637	201638	201639	201640
			409 SS	202629	202630	202631	202632	202633	202634	201660	201661	201662	201663	201664	201665	201666
			316 SS	202635	202636	202637	202638	202639	202640	201647	201648	201649	201650	201651	201652	201653
130A	Gasket Kit for Heat Exchanger	201667		201668		201669		201670		201671	221214	201672				

## Venting and Combustion Air Kits - Models UDAS and UDBS

**CODES 135A and 136A - Concentric Adapter Box Assembly**

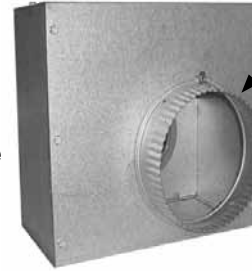
**View of Heater Connection Side**



Collar for attaching the combustion air pipe from the heater

Opening for the vent pipe. The vent pipe extends from the terminal, through the outside air pipe, through the box, and connects to the vent run.

**View of Vent Terminal Connection Side**



Collar for attaching the outside portion of the combustion air pipe (the vent pipe runs concentric through the outside portion of the combustion air pipe)

**CODE 135B - Exhaust Terminal (Vertical Kit)**



**CODE 135C - Combustion Air Inlet (Vertical Kit)**



**CODE 136B - Exhaust Grill (Horizontal Kit)**



**CODE 136C - Inlet Guard (Horizontal Kit)**



**CODE 135 - Vertical Vent Terminal/Combustion Air Package (Same as Option CC2) includes:**

Code	Qty	Size	P/N	Description
135	1	30-125	205895	Complete Vertical Vent Kit (Same as Option CC2)
		150-400	205896	
135A	1	30-125	205884	Concentric Adapter Box Assembly
		150-400	205885	
135B	1	30-125	110051	Exhaust (Vent) Terminal
		150-400	110052	
135C	1	30-125	155635	Combustion Air Inlet
		150-400	53330	
136D	2	30-400	207232	Concentric Adapter Box Bracket
135E	1	30-400	53335	Tube of High Temperature (450°F) Silicone Sealant

**CODE 136 - Horizontal Vent Terminal/Combustion Air Package (Same as Option CC6) includes:**

Code	Qty	Size	P/N	Description
136	1	30-125	211762	Complete Horizontal Vent Kit (Same as Option CC6) (as of 11/2005; see below)
		150-400	211763	
136A	1	30-125	211789	Concentric Adapter Box Assembly
		150-400	211790	
136B	1	30-125	211791	Exhaust Grill
		150-400	211792	
136C	1	30-125	151755	Inlet Guard
		150-400	124940	
136D	8	30-400	37661	#10-16 x 1/2" lg Screws to attach guard & grill
136E	2	30-400	207232	Concentric Adapter Box Bracket
136F	1	30-400	53335	Tube of High Temperature (450°F) Silicone Sealant

**Replacement Parts for Horizontal Vent Terminal/Combustion Air Package (Option CC6) prior to 11/2005**

Code	Qty	Size	P/N	Description
136G	1	30-125	205884	Concentric Adapter Box Assembly
		150-400	205885	
136H	1	30-125	155096	Screened Exhaust Assembly
		150-400	53316	
136J	1	30-125	151755	Inlet Guard
		150-400	124940	
136K	2	30-400	207232	Concentric Adapter Box Bracket

**CODE 136H - Screened Exhaust Assembly (Horizontal Kit)**



**CODE 137 - Aesthetic Horizontal Concentric Vent/Combustion Air Kit - Models UDAS and UDBS Sizes 30, 45, 60, and 75 (Same as Option CC14)**

Package P/N 209343 (Same as Option CC14)			
CODE	P/N	Qty	Description
137A	208994	1	Assembled Vent/Combustion Air Terminal
137B	209320	1	Concentric Adapter Box
137C	209337	2	Mounting Brackets
137D	195638	6	Sheetmetal Screws #8-18 X 3/8
137E	209338	1	Sealing Gasket
137F	53335	1	Clear Sealant, #732, 3 oz tube

**\*Example of a Finished Vinyl Siding Installation**



**\*Example of a Finished Brick Wall Installation**



**\*Field-supplied parts required.**



## Accessories/Options

### CODE 140 - High Altitude Pressure Switch Kit - Above 6000 ft/1830M Elevation (Same as Option DJ20, DJ21) - Models UDAP, UDAS, UDBP, UDBS as listed

See pressure switch locations in illustrations on pages 4 and 5.



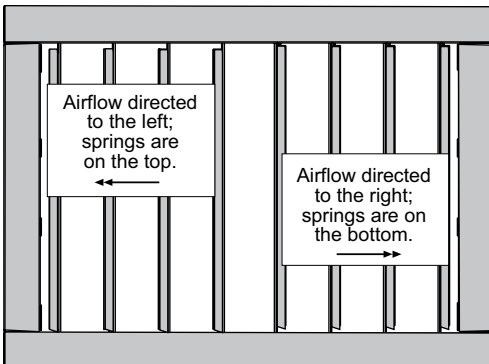
Option DJ20 for Model UDAP installed as a standard Power Vented Fan-Type Unit Heater	Model UDAP	30	45	60	75	100	125	150	175	200	225	250	300	350 & 400			
	Pkg P/N	197117			197118			197117			201162			before 7/23/09	after 7/23/09		
	High Altitude Switch P/N	197031			197032			197031			201160			201163	201162		
	Negative Pressure OFF Setpoint "w.c."	0.35			0.45			0.35			1.0			1.30	1.0		
	Label color	Purple			Pink			Purple			Brown			White	Brown		
Option DJ21 applies only to Model UDAP-CV with Option AV6 for Common Venting	Model UDAP-CV	30	45	60	75	100										350 & 400	
	Pkg P/N	197119	197118	197120	197121												
	High Altitude Switch P/N	197029	197032	196362	196388												
	Negative Pressure OFF Setpoint "w.c."	0.60	0.45	0.55	0.50												
	Label color	Lt Blue	Pink	White	Orange												
Option DJ20 for Model UDAS Separated Combustion Fan-Type Unit Heater	Model UDAS	30	45	60	75	100	125	150	175	200	225	250	300	350 & 400			
	Pkg P/N	197119				197121	197205	197117	201162			201163	201162				
	High Altitude Switch P/N	197029				196388	197030	197031	201160			201161	201160				
	Differential Pressure OFF Setpoint "w.c."	0.60				0.50	0.40	0.35	1.0			1.30	1.0				
	Label color	Lt. Blue				Orange	Green	Purple	Brown			White	Brown				
Option DJ20 for Model UDBP Power Vented Blower-Type High Static Unit Heater	Model UDBP	30	45	60	75	100	125	150	175	200	225	250	300	350 & 400			
	Pkg P/N	197117			197118			197117			201162			before 7/23/09	after 7/23/09		
	High Altitude Switch P/N	197031			197032			197031			201160			201163	201162		
	Negative Pressure OFF Setpoint "w.c."	0.35			0.45			0.35			1.0			1.30	1.0		
	Label color	Purple			Pink			Purple			Brown			White	Brown		
Option DJ20 for Model UDBS Separated Combustion Blower-Type High Static Unit Heater	Model UDBS	30	45	60	75	100	125	150	175	200	225	250	300	350 & 400			
	Pkg P/N	197117	197118	202103	197118	197117	197205	197117	201162			before 7/23/09	after 7/23/09				
	High Altitude Switch P/N	197031	197032	196362	197032	197031	197030	197031	201160			201163	201162				
	Differential Pressure OFF Setpoint "w.c."	0.35	0.45	0.55	0.45	0.35	0.40	0.35	1.0			1.30	1.0				
	Label color	Purple	Pink	White	Pink	Purple	Green	Purple	Brown			White	Brown				

### CODE 141 - Vent Cap - Models UDAP and UDBP (Same as Option CC1)



Code	Description	30	45	60	75	100	125	150	175	200	225	250	300	350	400	
140A	Vent Cap for standard UDAP and UDBP	111848, 4"					111849, 5"					111850, 6"				
140B	Vent Cap for UDAP-CV (Model UDAP with Option AV6 for common venting)	111848, 4"					111849, 5"	--	--	--	--	--	--	--	--	--

### CODE 142 - Vertical Louvers (Same as Option CD1) - UDAP/UDAS/UDBP/UDBS

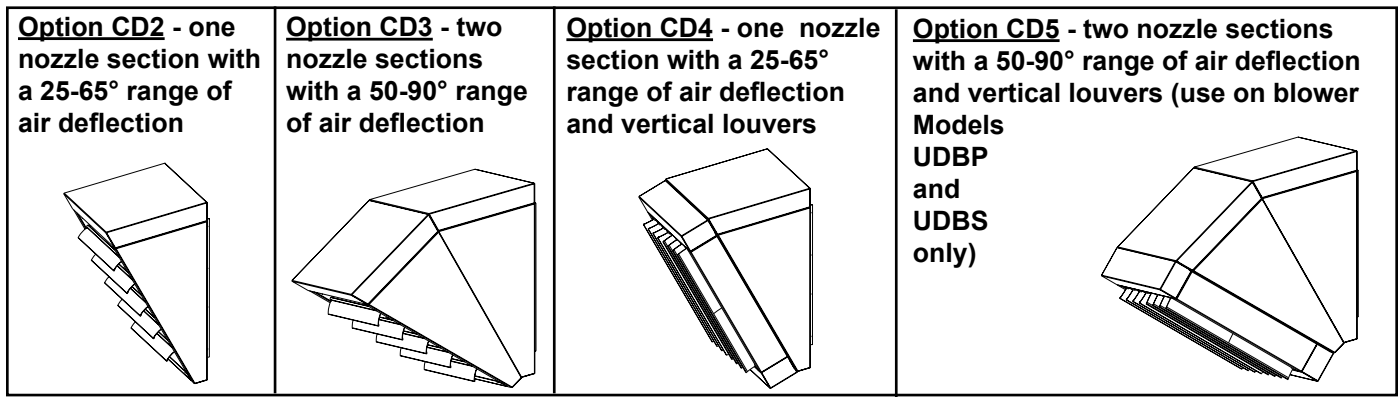


Install and adjust vertical louvers to achieve desired airflow pattern.

Size	30, 45	60, 75	100, 125	150, 175, 200	225, 250	300, 350, 400
Option Pkg P/N	197097	197098	197099	201199	201200	201201
<i>Components</i>						
Louver Frame Top and Bottom	(2) 197056			(2) 197189		(2) 197190
Louver Frame Sides	(2)197057	(2)197058	(2)197059	(2)197186	(2)197187	(2)197188
Screws	(20) 195638, #8-18 x 3/8" long, AB point, slotted indented serrated hex washer head					
Louvers	(5)196232	(5)196231	(5)196233	(8)196572	(8)196573	(8)195315
Compression Springs	(5)195046	(5)195046	(5)195046	(8)195046	(8)195046	(8)195046



**CODE 143 - Downturn Nozzles (Same as Options CD2, CD3, CD4, CD5)**



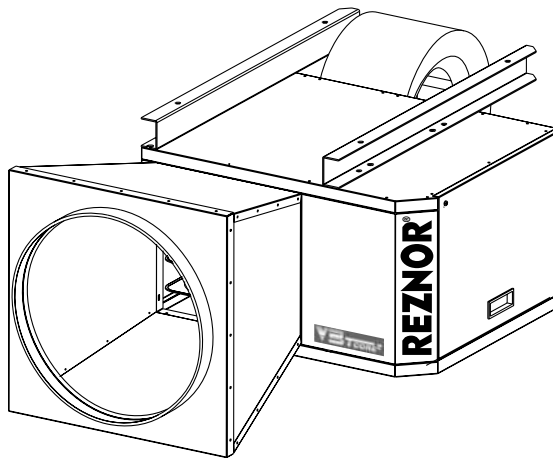
Size	30, 45	60, 75	100, 125	150, 175, 200	225, 250	300, 350, 400
<b>Option CD2 Pkg P/N</b>	<b>197103</b>	<b>197104</b>	<b>197105</b>	<b>201202</b>	<b>201203</b>	<b>201204</b>
Nozzle Section Right Side	(1) 196990	(1) 196991	(1) 196992	(1) 197173	(1) 197174	(1) 197175
Nozzle Section Left Side	(1) 196993	(1) 196994	(1) 196995	(1) 197176	(1) 197177	(1) 197178
Nozzle Section Top	(1) 196987	(1) 196988	(1) 196989	(1) 197170	(1) 197171	(1) 197172
Nozzle Bracket	--	--	--	(2) 201708		(2) 201709
Nozzle Section Bottom	(1) 196996			(1) 196997		(1) 197179
Screws, #8-18 x 3/8" long AB point, slotted indented serrated hex washer head	(14) 195638			(16) 195638		
<b>Option CD4 Pkg P/N</b>	<b>197114</b>	<b>197115</b>	<b>197116</b>	<b>201208</b>	<b>201209</b>	<b>201210</b>
<b>Same components as Option CD2 above PLUS</b>						
Vertical Louver	(5) 196232	(5) 196231	(5) 196233	(8) 196572	(8) 196573	(8) 195315
Compression Spring	(5) 195046	(5) 195046	(5) 195046	(8) 195046	(8) 195046	(8) 195046
Louver Top and Bottom Support	(2) 197056			(2) 197189		(2) 197190
Louver Frame Side	(2) 197057	(2) 197058	(2) 197059	(2) 197186	(2) 197187	(2) 197188
Screws	(20) 195638, #8-18 x 3/8" long AB point, slotted indented serrated hex washer head					
<b>Option CD3 Pkg P/N</b>	<b>197111</b>	<b>197112</b>	<b>197113</b>	<b>201205</b>	<b>201206</b>	<b>201207</b>
Nozzle Section Right Side	(2) 196990	(2) 196991	(2) 196992	(2) 197173	(2) 197174	(2) 197175
Nozzle Section Left Side	(2) 196993	(2) 196994	(2) 196995	(2) 197176	(2) 197177	(2) 197178
Nozzle Section Top	(2) 196987	(2) 196988	(2) 196989	(2) 197170	(2) 197171	(2) 197172
Nozzle Bracket	--	--	--	(2) 201708		(2) 201709
Nozzle Section Bottom	(2) 196996			(2) 196997		(2) 197179
Screws, #8-18 x 3/8" long AB point, slotted indented serrated hex washer head	(28) 195638			(30) 195638		
<b>Option CD5 Pkg P/N</b>	<b>202094</b>	<b>202095</b>	<b>202096</b>	<b>202097</b>	<b>202098</b>	<b>202099</b>
<b>Same components as Option CD3 above PLUS</b>						
Vertical Louver	(5) 196232	(5) 196231	(5) 196233	(8) 196572	(8) 196573	(8) 195315
Compression Spring	(8) 195046					
Louver Top and Bottom Support	(2) 197056			(2) 197189		(2) 197190
Louver Frame Side	(2) 197057	(2) 197058	(2) 197059	(2) 197186	(2) 197187	(2) 197188
Screws	(22) 195638, #8-18 x 3/8" long AB point, slotted indented serrated hex washer head					

**CODE 144 - Duct Flange, Models UDBP and UDBS (Same as Option CD9)**

Model UDBP and UDBS	30, 45	60, 75	100, 125	150, 175, 200	225, 250	300, 350, 400
<b>Option Pkg P/N</b>	<b>202909</b>	<b>202910</b>	<b>202911</b>	<b>202912</b>	<b>202913</b>	<b>202914</b>
Components (qty in parenthesis):						
Duct Flange Section (Side & Top / Side & Bottom)	(2) 201750	(2) 201751	(2) 201752	(2) 201813	(2) 201814	(2) 201815
Sheetmetal Screws, #10 x 1/2"	(16) 11813	(14) 11813	(16) 11813	(18) 11813		

## Accessories/Options (cont'd)

**CODE 145 - Polytube Adapter,  
Models UDBP and UDBS Sizes  
75-400 (Same as Option CD11)**



Model UDBP and UDBS	75	100, 125	150, 175, 200	225, 250	300, 350, 400
<b>Option Pkg P/N</b>	<b>203086</b>	<b>203087</b>	<b>203088</b>	<b>203089</b>	<b>203090</b>
Components:					
Adapter Top/Bottom	(2) <b>202962</b>	(2) <b>202964</b>	(2) <b>202966</b>	(2) <b>202968</b>	(2) <b>202970</b>
Adapter Side	(2) <b>202961</b>	(2) <b>202963</b>	(2) <b>202965</b>	(2) <b>202967</b>	(2) <b>202969</b>
Discharge Panel Assy	<b>101249</b>		<b>101250</b>		
Discharge Duct Collar Clamp	<b>101499</b>		<b>146463</b>		
Sheetmetal Screws, #10 x 1/2" long	(52) <b>11813</b>				
Sheetmetal Screw, #10 x 3/4" long	<b>20859</b>		--		
1/4-20 x 1-1/2" long Hex Head Screw	--		<b>51231</b>		
1/4-20 Hex Nuts	--		<b>7328</b>		
1/4-20 Wing Nut	--		<b>107246</b>		

**CODES 146 and 147 - Guards for Models UDBP and UDBS (Same as Option CD10 and CD12)**



**CODE 146,  
Blower Inlet  
Guard in CD10  
and CD12**



**CODE 147, Belt  
Guard in  
Option CD10**

Option CD12 for UDBP and UDBS 30-125	Qty	P/N
<b>Option Pkg P/N</b>		<b>114548</b>
Blower Inlet Guard	1	<b>102474</b>
Screws, #10-16 x 1/2" lg	4	<b>37661</b>

Option CD10, Belt & Blower Guards	150-200		225-400	
Option Pkg P/N	202316		202317	
Components:	Qty	P/N	Qty	P/N
Blower Inlet Guard	1	<b>203079</b>	1	<b>102475</b>
Belt Guard	1	<b>193797</b>	1	<b>193795</b>
Green Wire Assembly	1	<b>202939</b>	1	<b>202939</b>
Screws, #10-16 x 1/2" lg (4 for attaching blower inlet guard; 3 for attaching belt guard; and 1 for attaching ground wire to blower)	8	<b>37661</b>	8	<b>37661</b>

**CODE 148 - Hanger Kits (Same as Options CK8 and CK10)**

**Option CK8 - Two-point Suspension**



**Option CK10 - Four-point Suspension**



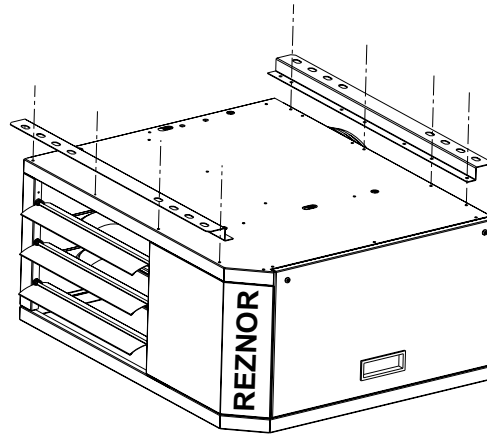
Size	All
<b>Option CK8 Pkg P/N</b>	<b>98509</b>
Swivel Connector Assembly	(2) <b>17627</b>
3/8" Lock Washer	(2) <b>5197</b>
<b>Option CK10 Pkg P/N</b>	<b>98511</b>
Swivel Connector Assembly	(4) <b>17627</b>
3/8" Lock Washer	(8) <b>5197</b>
3/8" Hex Nuts	(4) <b>1438</b>

**CODE 150 - Ceiling Suspension Kit for Model UDAP and UDAS Sizes 30-125 (Same as Option CK22)**

Models UDAP & UDAS	30, 45, 60, 75, 100, 125
Option CK22 Pkg P/N	197094
Suspension Angle	(2) 195496
Sheetmetal Screw	(1) 195638

Attach ceiling brackets to top, across front and rear of the heater. Use cabinet screws and screw from kit.

**Applies only to Models UDAP and UDAS, Sizes 30-125**



**CODE 151 - Manual Shutoff Valve (Same as Option CE1)**



Description	30, 45, 60, 75, 100, 125, 150, 175, 200	225, 250, 300, 350, 400
Option Pkg P/N	15971	15972
Manual Shutoff Ball Valve	196910, 1/2"	196911, 3/4"
Union	1224, 1/2"	1101, 3/4"

**Thermostats and Thermostat Accessories**

**CODE 160 - Single-Stage Thermostat, 24 volt, fan switch, P/N 255350 (Same as Option CL1)**



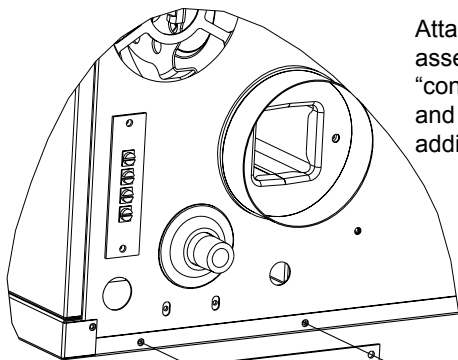
**CODE 161 - Two-Stage Thermostat, 24 volt, fan switch, P/N 220630 (Same as Option CL22)**



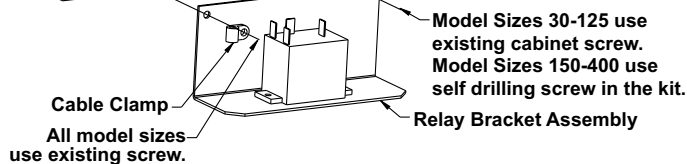
**CODE 162 - Locking Thermostat Cover, P/N 257464 (Same as Option CM1)**



**CODE 163 - Kits for Control of 2-6 Heaters**



Attach the relay assembly to the "control" unit and up to five additional units.



**Pkg P/N 197155 for One "Control" Heater and One Additional Heater (Same as Option CL31)**

Qty	P/N	Description
1	194808	Transformer 40VA (for the "control" unit)
2	197157	Relay Assemblies each consisting of one P/N 18549, Relay (NOTE: If replacing relay only P/N 98118, WR #134-20102-101, order Kit P/N 263527.), wired and mounted on a specially designed bracket.
2	195249	Self drilling screw for attaching relay bracket
2	16228	Cable Clamp 3/16"
1	197160	Wiring Harness Assembly (brown wires)
2	197164	Wiring Diagram Label

**Pkg P/N 197156 for Each Additional (4 maximum) "non-controlling" Heater (Same as Option CL32)**

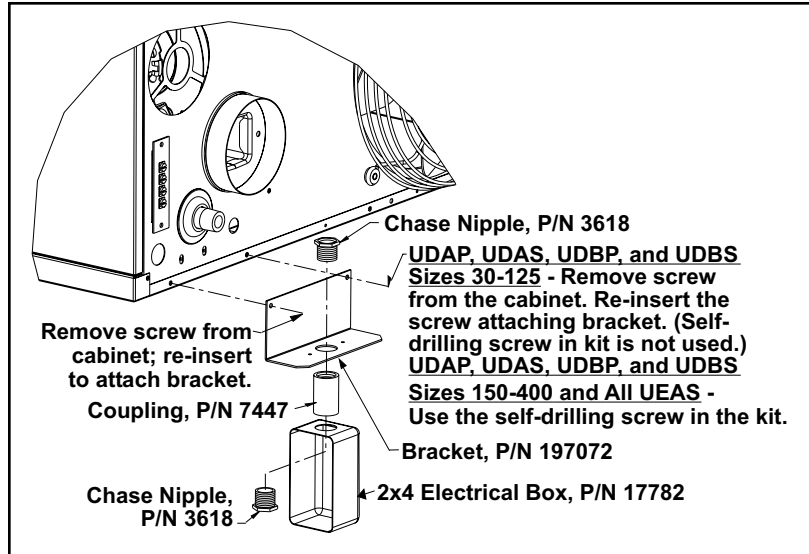
Qty	P/N	Description
1	197157	Relay Assemblies each consisting of one P/N 18549, Relay (NOTE: If replacing relay only P/N 98118, WR #134-20102-101, order Kit P/N 263527.), wired and mounted on a specially designed bracket.
1	195249	Self drilling screw for attaching relay bracket
1	16228	Cable Clamp 3/16"
1	197164	Wiring Diagram Label

**Thermostat  
Accessories (cont'd)**

**CODE 164 - Thermostat Bracket Kit for Models UDAP,  
UDAS, UDBP, and UDBS (Same as Option CM3)**

Thermostat bracket option package, P/N 197077, includes:

Qty	Description	P/N
1	2 x 4 Electrical Box	17782
1	1/2" Coupling conduit connector	7447
2	1/2" Chase Nipples	3618
1	Bracket	197072
1	Screw (self drilling)	195249



**www.ReznorHVAC.com; (800) 695-1901**

©2014 Reznor LLC, All rights reserved.

**Trademark Note:** Reznor®, TCORE2®, and V3® are registered in at least the United States.

All other trademarks are the property of their respective owners.

10/14 (Serial No. Date Code BNJ) Form P-UD (Version 10-14)

**REZNOR®**

Form P-UD, P/N 270285R4, Page 20