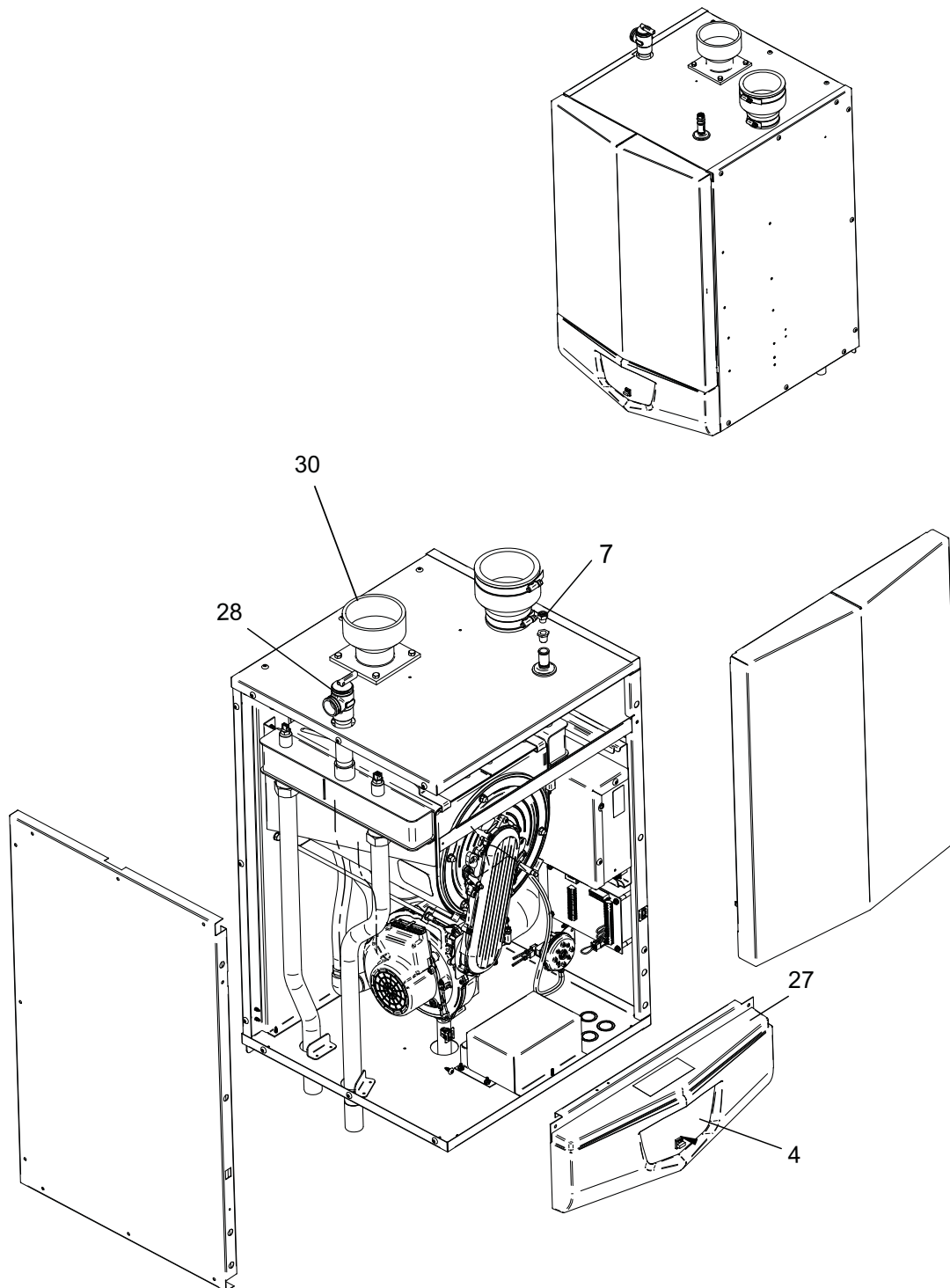




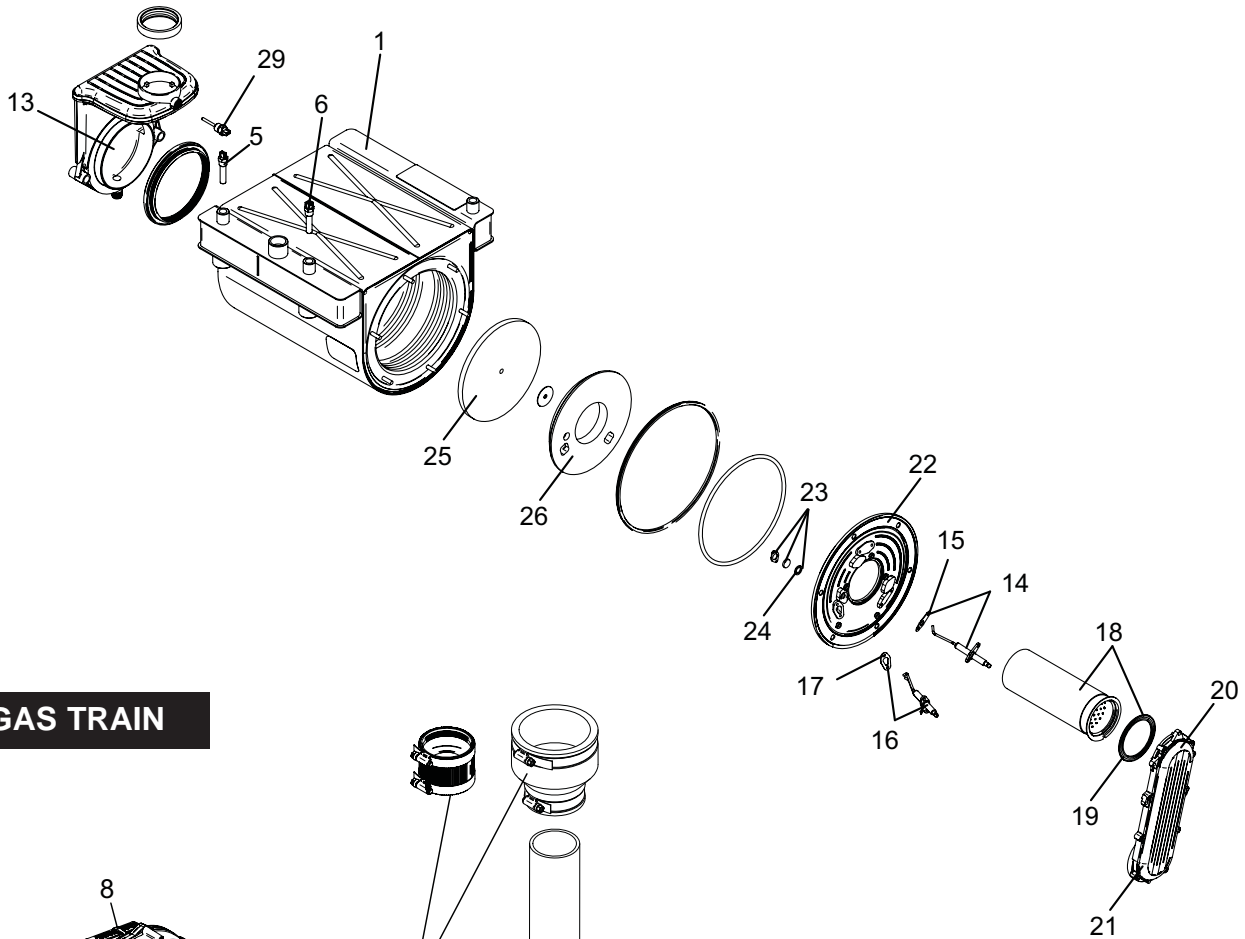
Replacement Parts List

PARTS & SERVICE DEPARTMENT
Nashville, Tennessee
615-889-8900 / Fax: 615-547-1000
www.Lochinvar.com

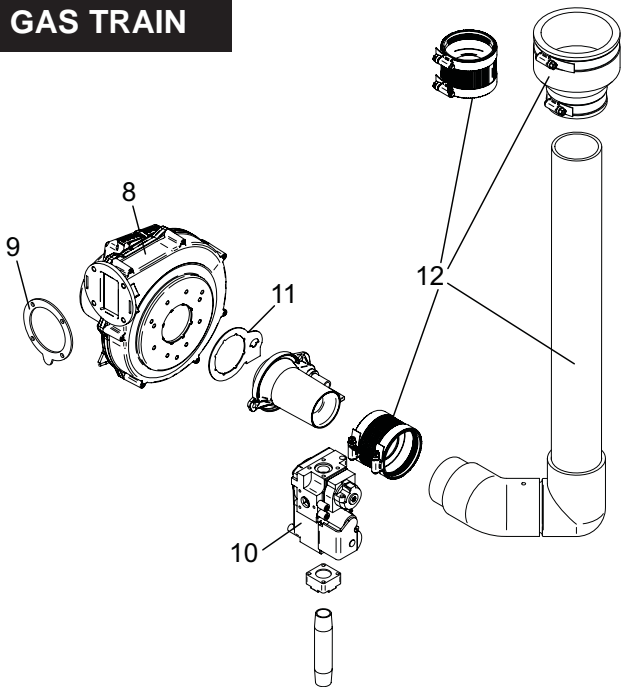
Knight **Wall Mount Boilers** **WB 50 thru 210**



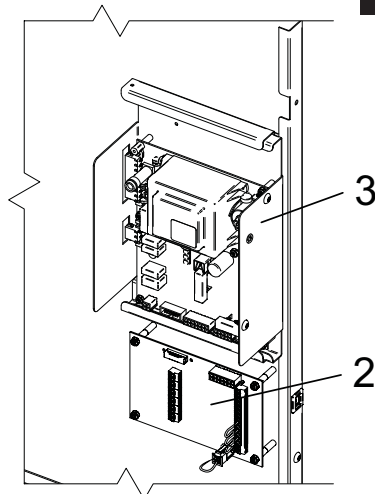
HEAT EXCHANGER 80-210



GAS TRAIN



CONTROL PANEL



ITEM NO.	PART NO.	DESCRIPTION	MODEL NO.
HEAT EXCHANGER ASSEMBLY			
1	HEX3690	HEAT EXCHANGER	WB50/80
1	HEX3691	HEAT EXCHANGER	WB105
1	HEX3692	HEAT EXCHANGER	WB150
1	HEX3693	HEAT EXCHANGER	WB210
CONTROLS			
2	RLY2121	LOW VOLTAGE CONNECTION BOARD	ALL
3	RLY30011	INTEGRATED CONTROL	WB 80-210
3	RLY30015	INTEGRATED CONTROL	WB 50
3	RLY30019	HIGH ALTITUDE INTEGRATED CONTROL	WB 80-210
3	RLY30010	HIGH ALTITUDE INTEGRATED CONTROL	WB 50
4	RLY2210	USER INTERFACE CONTROL	ALL
5	TST2060	INLET SENSOR	ALL
6	TST2061	OUTLET SENSOR / HIGH LIMIT	ALL
7	RLV30000	AIR VENT VALVE	ALL
8	FAN3030	FAN ASSEMBLY	WB50-105
8	FAN3031	FAN ASSEMBLY	WB150
8	FAN3032	FAN ASSEMBLY	WB210
9	GKT2456	BLOWER GASKET	WB50-150
9	GKT2436	BLOWER GASKET	WB210
GAS VALVES			
10	VAL3208	GAS VALVE ASSEMBLY	WB50
10	VAL3209	GAS VALVE ASSEMBLY	WB80
10	VAL3210	GAS VALVE ASSEMBLY	WB105
10	VAL3211	GAS VALVE ASSEMBLY	WB150/210
11	GKT2443	GASKET, VENTURI	ALL
12	MSC3006	AIR INLET KIT	ALL
13	MSC3007	FLUE TRANSITION	ALL
PILOT & BURNER ASSEMBLIES			
14	PLT3022	FLAME SENSOR W/ GASKET	ALL
15	GKT2450	GASKET, FLAME SENSOR	ALL
16	PLT3021	IGNITOR W/ GASKET	ALL
17	GKT2449	GASKET, IGNITOR	ALL
18	BNR3424	BURNER W/ GASKET	WB50/80
18	BNR3425	BURNER W/ GASKET	WB105
18	BNR3426	BURNER W/ GASKET	WB150
18	BNR3427	BURNER W/ GASKET	WB210
19	GKT2451	GASKET, BURNER	ALL
20	WTR3077	GAS / AIR ARM ASSEMBLY W/ GASKET	WB 50-150
20	WTR3078	GAS / AIR ARM ASSEMBLY W/ GASKET	WB210
21	GKT2454	GAS / AIR ARM ASSEMBLY W/ GASKET	ALL
22	WTR2021	HEAT EXCHANGER ACCESS DOOR	ALL
MISCELLANEOUS			
23	MSC3180	SIGHT GLASS	ALL
24	GKT2453	GASKET, SIGHT GLASS	ALL
25	FIB2167	DIVIDER PLATE, INSULATION BAFFLE	ALL
26	FIB2291	BURNER PLATE, INSULATION, DOOR	ALL
27	MSC2230	DISPLAY BEZEL	ALL
PLEASE HAVE MODEL AND SERIAL NUMBER AVAILABLE WHEN ORDERING PARTS.			

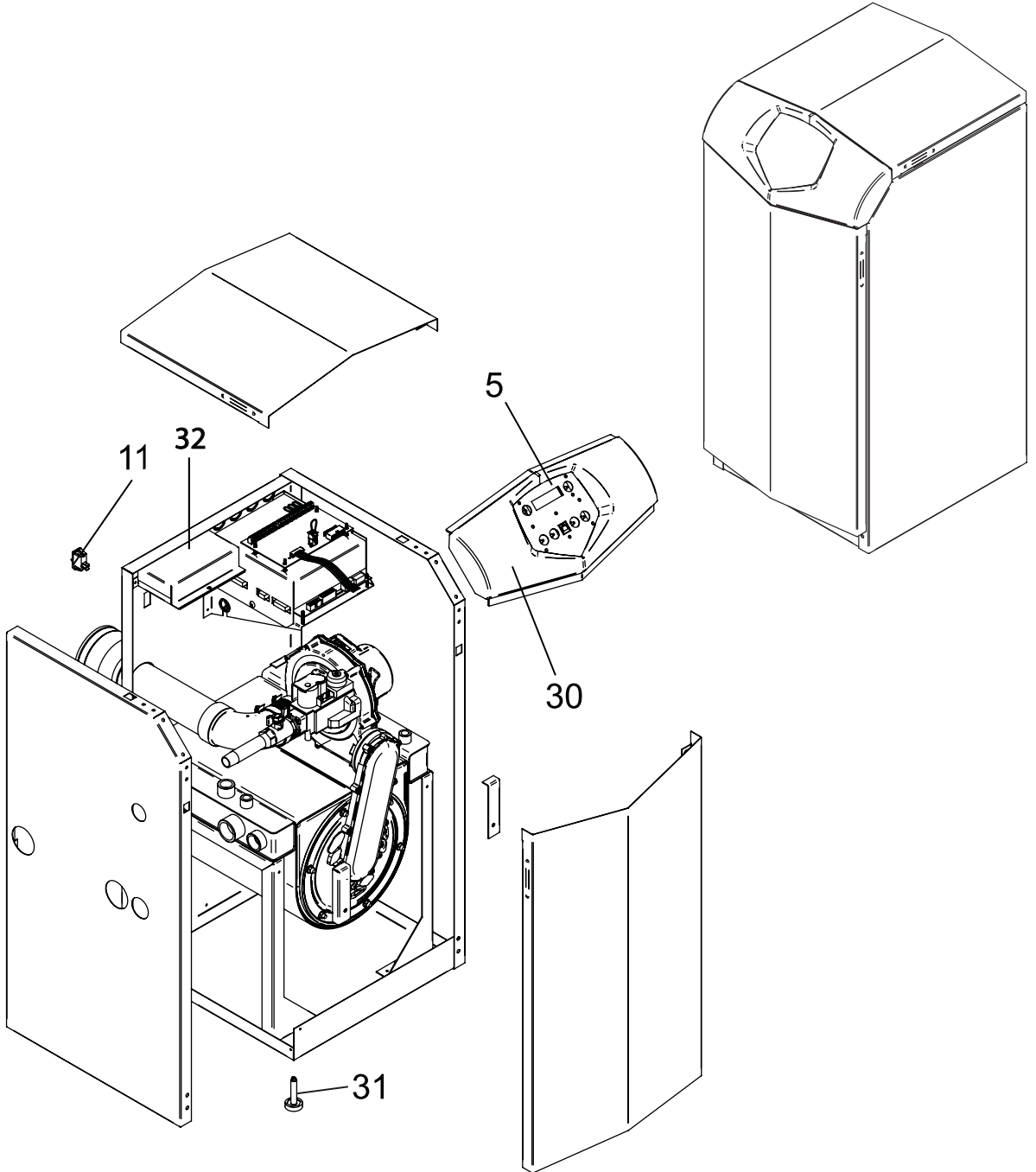
ITEM NO.	PART NO.	DESCRIPTION	MODEL NO.
MISCELLANEOUS CONTINUED			
28	RLV2030	RELIEF VALVE 30 PSI	ALL
29	TST2064	FLUE SENSOR	ALL
30	PVC2047	FLUE CONNECTION 2"	WB 50-105
30	PVC2048	FLUE CONNECTION 3"	WB 150-210
	PRS20015	PRESSURE SWITCH	WB 50/80
	PRS20016	PRESSURE SWITCH	WB 105/150
	PRS20017	PRESSURE SWITCH	WB 210
	TST2044	BULBWELL, 1/4"	ALL
	JKB2011	WALL MOUNT BRACKET	ALL
	FUS2000	1.25 AMP	ALL
	FUS2001	3.15 AMP	ALL
	FUS2002	5 AMP	ALL
	WTR2040	FLOW SWITCH	ALL
	MSC2514	STRIP, TERMINAL	ALL
	TST2311	OUTDOOR AIR SENSOR	ALL
	SWT2011	BLOCKED DRAIN SWITCH	ALL
	GTP2900	GAUGE TRIOMETER, 75# PSI	ALL
	TST2032	SYSTEM SENSOR	ALL
	KIT3086	ADJUSTABLE MANUAL RESET HIGH LIMIT	ALL
	WTR20009	MRLWCO WITH TEST	ALL
	KIT3087	NEUTRALIZER KIT	ALL
	KIT3085	ALARM BELL	ALL
	LPK3418	LP CONVERSION KIT	WB50
	LPK3944	LP CONVERSION KIT	WB80
	LPK3945	LP CONVERSION KIT	WB105
	LPK3947	LP CONVERSION KIT	WB150/210
	MSC20009	CONDENSATE TRAP ASSEMBLY BEGINNING L08	ALL
	MSC3008	CONDENSATE TRAP ASSEMBLY PRIOR TO L08	ALL
	MSC3009	CONDENSATE TRAP CAP ASSEMBLY PRIOR TO L08	ALL
	KIT30062	HEAT EXCHANGER CLEANING KIT	WB 50-105
	KIT30063	HEAT EXCHANGER CLEANING KIT	WB 150-210
PUMPS			
	PUM3020	PUMP	ALL
	PUM30005	PUMP, HIGH ALTITUDE	ALL
PLEASE HAVE MODEL AND SERIAL NUMBER AVAILABLE WHEN ORDERING PARTS.			



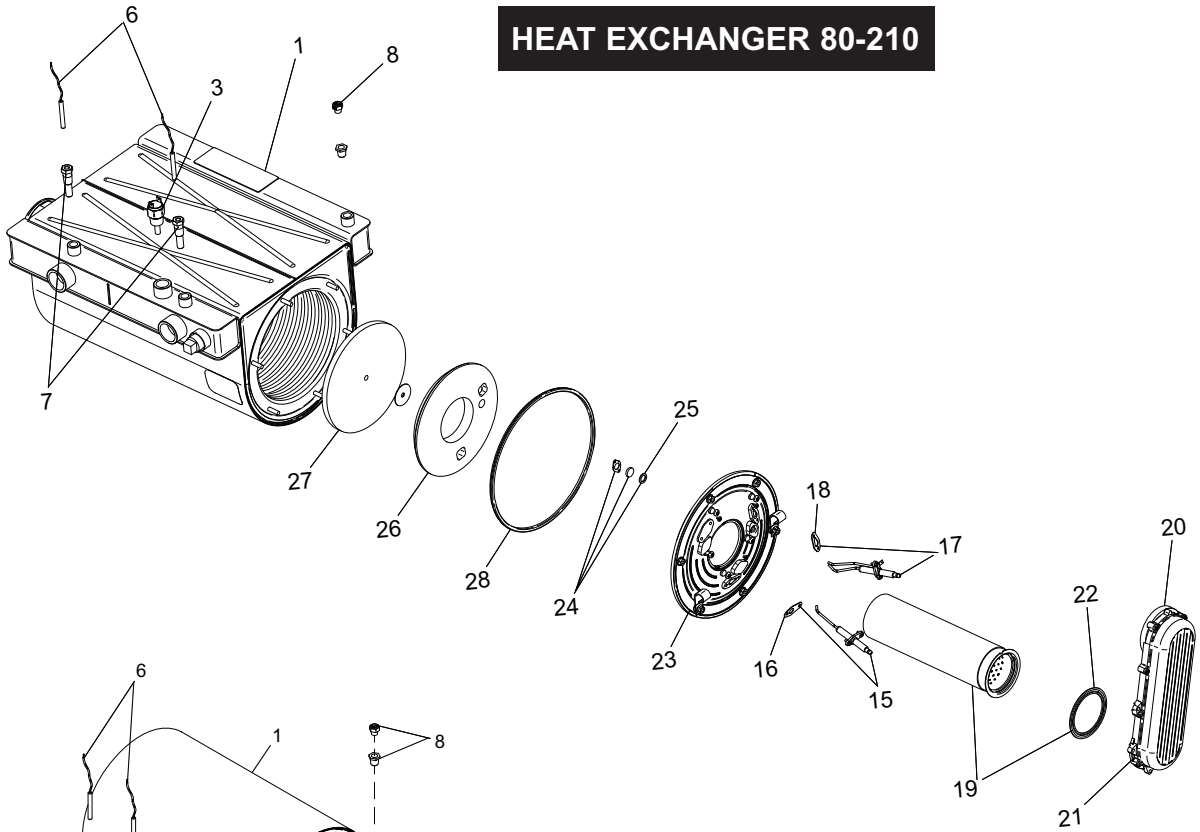
Replacement Parts List

PARTS & SERVICE DEPARTMENT
Nashville, Tennessee
615-889-8900 / Fax: 615-547-1000
www.Lochinvar.com

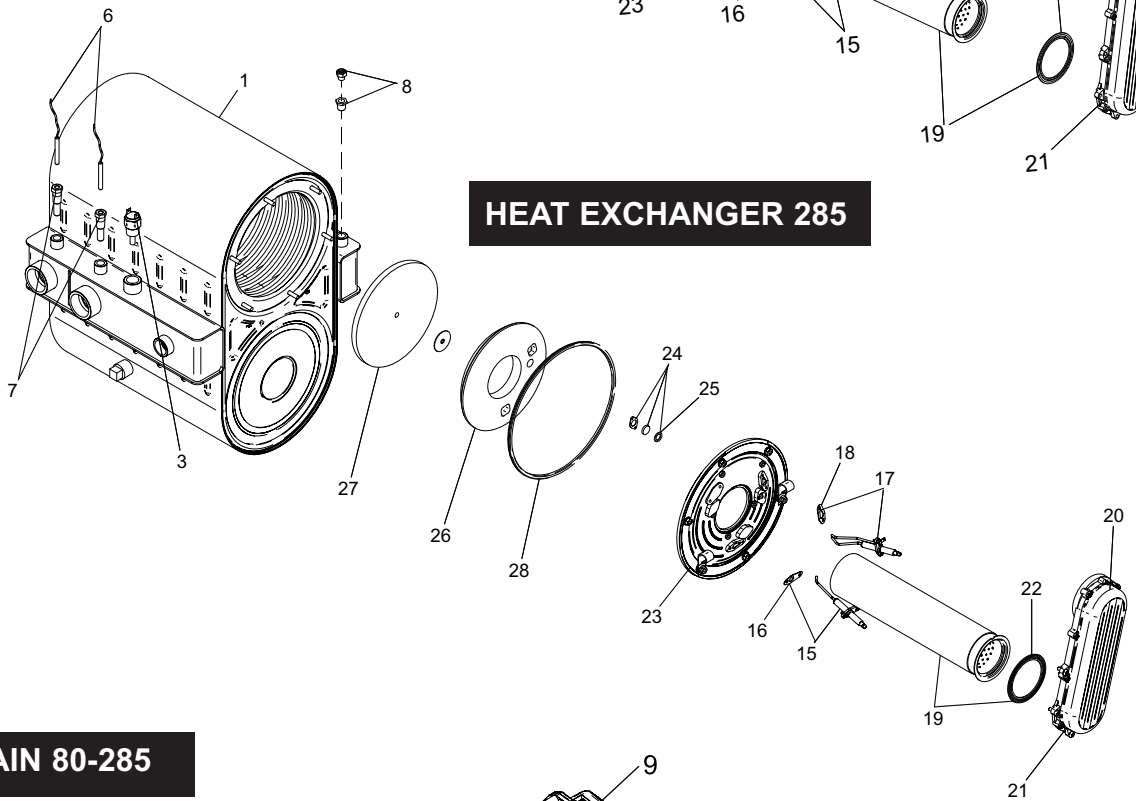
Knight Heating Boilers KB 80 thru 285



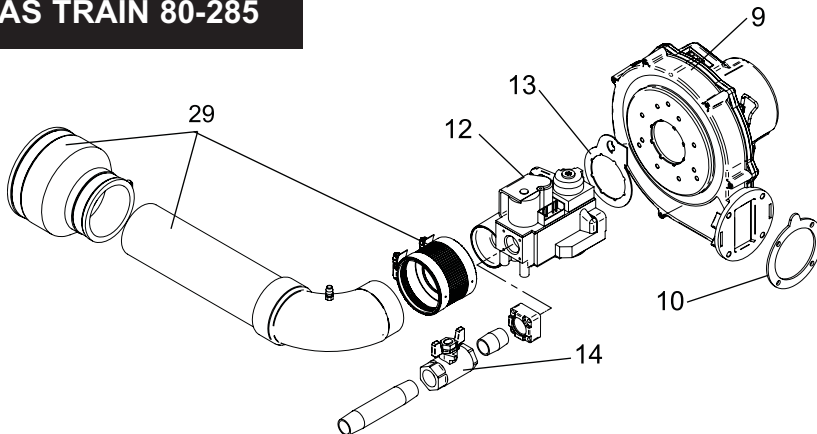
HEAT EXCHANGER 80-210



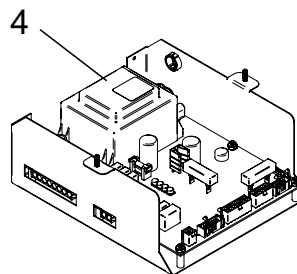
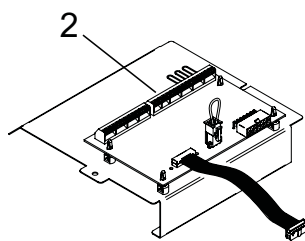
HEAT EXCHANGER 285



GAS TRAIN 80-285



CONTROL PANEL



ITEM NO.	PART NO.	DESCRIPTION	MODEL NO.
HEAT EXCHANGER ASSEMBLY			
1	HEX3076	HEAT EXCHANGER	KBN080
1	HEX3077	HEAT EXCHANGER	KBN105
1	HEX3078	HEAT EXCHANGER	KBN150
1	HEX3079	HEAT EXCHANGER	KBN210
1	HEX3080	HEAT EXCHANGER	KBN285
CONTROLS			
2	RLY2202	LOW VOLTAGE CONNECTION BOARD	ALL
3	HLC2510	HIGH LIMIT	ALL
4	RLY30011	INTEGRATED CONTROL	KBN80-285
4	RLY30019	HIGH ALTITUDE INTEGRATED CONTROL	KBN80-285
5	RLY2210	USER INTERFACE CONTROL	ALL
6	TST2032	WATER TEMP SENSOR	ALL
7	TST2044	BULB WELL	ALL
8	RLV30000	AIR VENT VALVE	ALL
9	FAN3030	FAN ASSEMBLY	KBN080 & 105
9	FAN3031	FAN ASSEMBLY	KBN150
9	FAN3032	FAN ASSEMBLY	KBN210
9	FAN3033	FAN ASSEMBLY	KBN285
10	GKT2456	GASKET / BLOWER	KBN080, 105 & 210
10	GKT2436	GASKET / BLOWER	KBN150 & 285
11	SWT2006	ON / OFF SWITCH	ALL
GAS VALVES			
12	VAL3205	GAS VALVE ASSEMBLY	KBN080
12	VAL3200	GAS VALVE ASSEMBLY	KBN105
12	VAL3201	GAS VALVE ASSEMBLY	KBN150
12	VAL3202	GAS VALVE ASSEMBLY	KBN210
12	VAL3203	GAS VALVE ASSEMBLY	KBN285
13	GKT2443	GAS VALVE GASKET	KBN080-285
14	VAL2206	GAS CUT OFF VALVE	KBN80-210
14	VAL2421	GAS CUT OFF VALVE	KBN285
PILOT & BURNER ASSEMBLIES			
15	PLT3022	FLAME SENSOR W/ GASKET	ALL
16	GKT2450	GASKET, FLAME SENSOR	ALL
17	PLT3021	IGNITOR W/ GASKET	ALL
18	GKT2449	GASKET, IGNITOR	ALL
19	BNR3424	BURNER W/ GASKET	KBN080
19	BNR3425	BURNER W/ GASKET	KBN105
19	BNR3426	BURNER W/ GASKET	KBN150
19	BNR3427	BURNER W/ GASKET	KBN210
19	BNR3428	BURNER W/ GASKET	KBN285
20	WTR3077	GAS / AIR ARM ASSEMBLY W/ GASKET	KB080
20	WTR3081	GAS / AIR ARM ASSEMBLY W/ GASKET	KBN105
20	WTR3082	GAS / AIR ARM ASSEMBLY W/ GASKET	KBN150

PLEASE HAVE SERIAL NUMBER AVAILABLE WHEN ORDERING PARTS.

ITEM NO.	PART NO.	DESCRIPTION	MODEL NO.
PILOT & BURNER ASSEMBLIES (Continued)			
20	WTR3078	GAS / AIR ARM ASSEMBLY W/ GASKET	KB210/285
21	GKT2454	GASKET - GAS / AIR ARM ASSEMBLY	ALL
22	GKT2451	GASKET, BURNER	ALL
23	WTR3080	HEAT EXCHANGER ACCESS DOOR KIT	ALL
MISCELLANEOUS			
24	MSC3180	SIGHT GLASS	ALL
25	GKT2453	GASKET / SIGHT GLASS	ALL
26	FIB2168	BURNER PLATE, INSULATION, DOOR	ALL
27	FIB2167	DIVIDER PLATE, INSULATION BAFFLE	ALL
28	GKT2455	GASKET DOOR RUBBER	ALL
29	MSC3181	AIR INLET KIT	KBN080-105
29	MSC3182	AIR INLET KIT	KBN150
29	MSC3183	AIR INLET KIT	KBN210
29	MSC3184	AIR INLET KIT	KBN285
30	MSC2177	DISPLAY BEZEL	ALL
31	BLT2104	LEVELING LEG	ALL
32	MSC2514	HIGH VOLTAGE CONNECTION BOARD	ALL
	PRS20000	PRESSURE SWITCH	KBN080
	PRS20001	PRESSURE SWITCH	KBN105,150,285
	PRS20002	PRESSURE SWITCH	KBN210
	RLV2005	RELIEF VALVE 30 PSI	ALL
	FUS2000	1.25 AMP	ALL
	FUS2001	3.15 AMP	ALL
	FUS2002	5 AMP	ALL
	WTR2040	FLOW SWITCH	ALL
	TST2311	OUTDOOR AIR SENSOR	ALL
	MSC2971	CONDENSATE TRAP	KBN080-210
	KIT30050	CONDENSATE TRAP	KBN285
	SWT2011	BLOCKED DRAIN SWITCH	ALL
	GTP2900	GAUGE TRIOMETER, 75# PSI	ALL
	TST3403	FLUE TEMP SENSOR KIT	ALL
	KIT3086	ADJUSTABLE MANUAL RESET HIGH LIMIT	ALL
	WTR20009	MRLWCO WITH TEST	ALL
	KIT3085	ALARM BELL	ALL
	KIT3078	SYSTEM SENSOR	ALL
	KIT3087	NEUTRALIZER KIT	ALL
	LPK3944	LP CONVERSION KIT	KBN080
	LPK3945	LP CONVERSION KIT	KBN105
	LPK3946	LP CONVERSION KIT	KBN150
	LPK3947	LP CONVERSION KIT	KBN210
	LPK3948	LP CONVERSION KIT	KBN285
	JKB2000	FLUE COLLAR 3"	KBN080-210
	JKB2001	FLUE COLLAR 4"	KBN285
	KIT30062	HEAT EXCHANGER CLEANING KIT	KBN080-105
	KIT30063	HEAT EXCHANGER CLEANING KIT	KBN150-285
	MSC30011	BIRD SCREEN 3"	KBN080-210
	MSC30012	BIRD SCREEN 4"	KBN285
PUMPS			
	PUM3020	PUMP	KBN080-210
	PUM30005	PUMP, HIGH ALTITUDE	KBN080-210
	PUM3021	PUMP	KBN285

PLEASE HAVE SERIAL NUMBER AVAILABLE WHEN ORDERING PARTS.