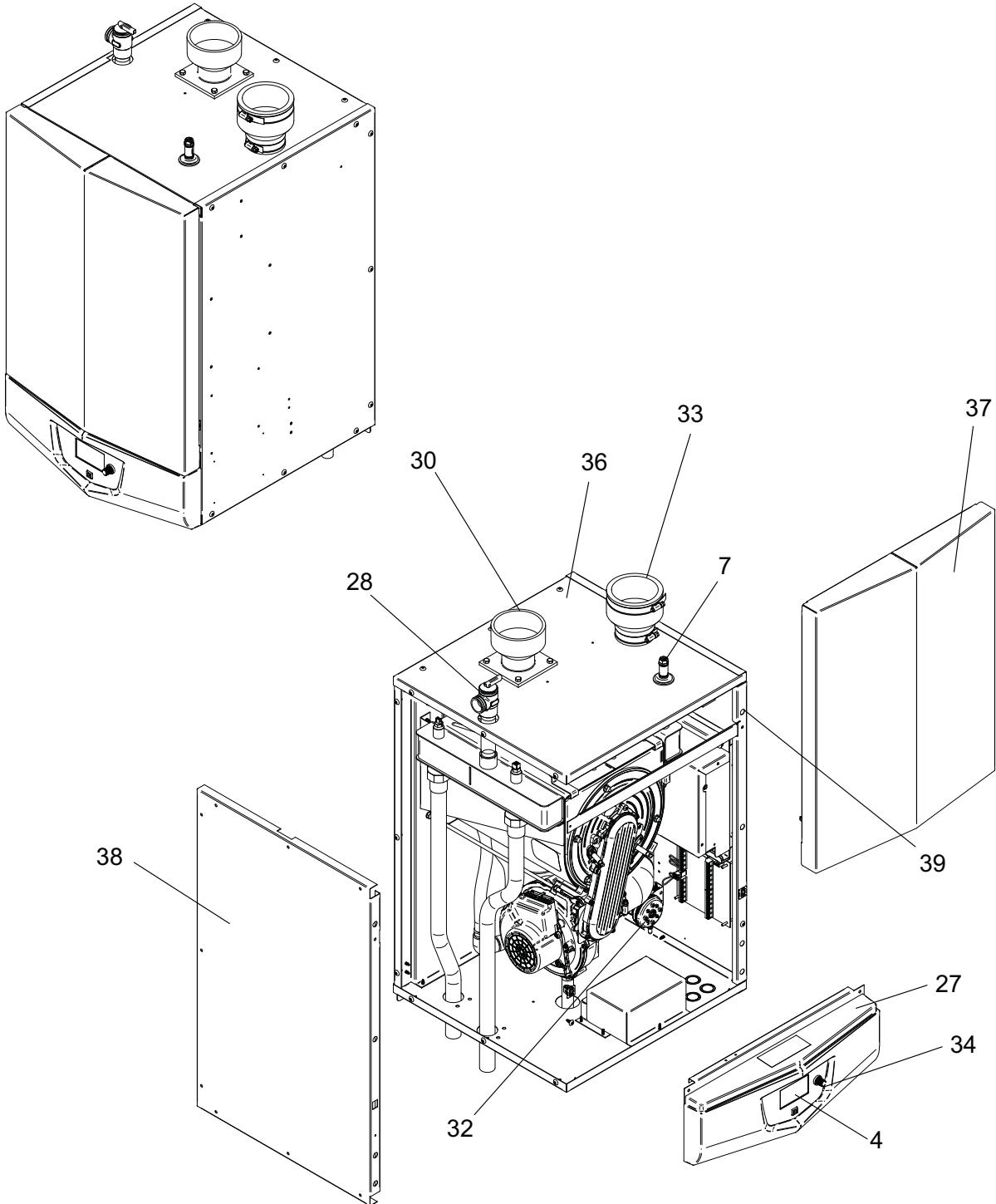




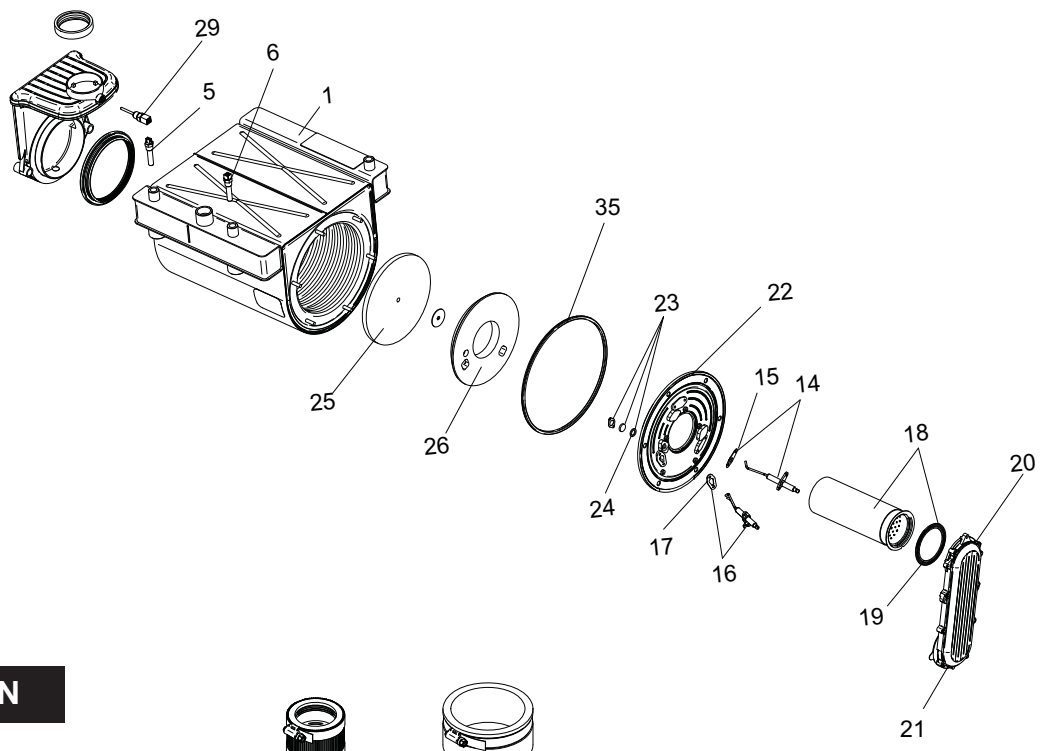
**PARTS & SERVICE DEPARTMENT**  
 Nashville, Tennessee  
 615-889-8900 • Fax: 615-882-2918  
 parts\_team@lochinvar.com  
 www.Lochinvar.com

**Replacement Parts List**

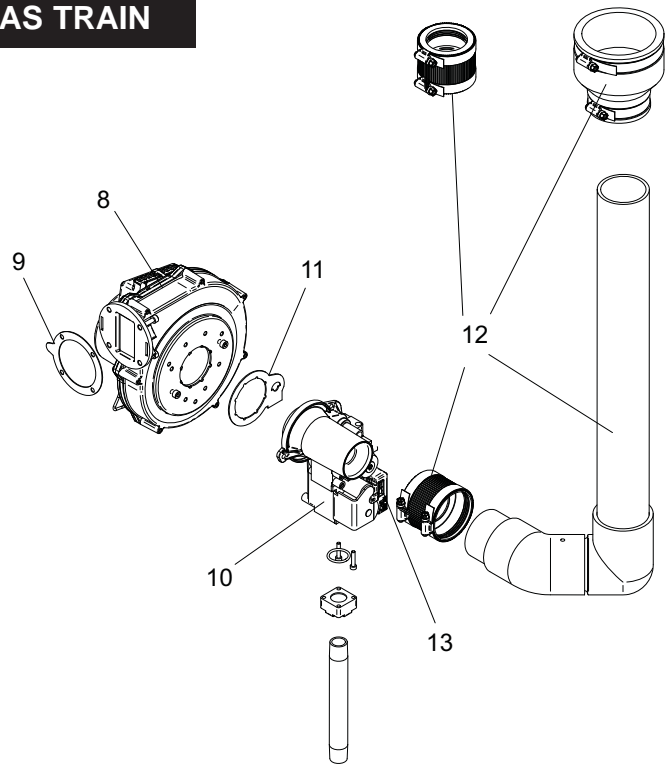
**Knight**  
**Wall Mount Boilers**  
**WB 51 thru 211**



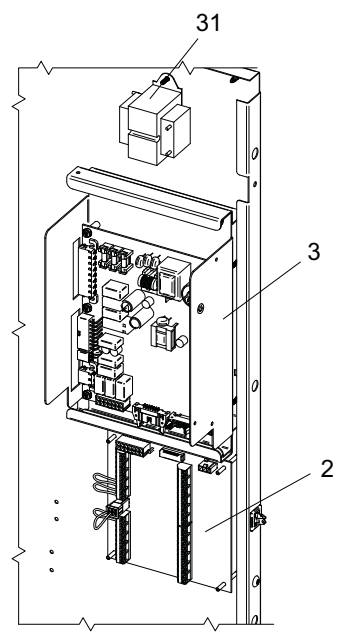
# HEAT EXCHANGER 81-211



# GAS TRAIN



# CONTROL PANEL



ITEM NO.	PART NO.	DESCRIPTION	MODEL
<b>HEAT EXCHANGER ASSEMBLY</b>			
1	HEX3690	HEAT EXCHANGER	WB51/81
1	HEX3691	HEAT EXCHANGER	WB106
1	HEX3692	HEAT EXCHANGER	WB151
1	HEX3693	HEAT EXCHANGER	WB211
<b>CONTROLS</b>			
2	RLY20064	LOW VOLTAGE CONNECTION BOARD	ALL
3	RLY30043	INTEGRATED CONTROL PRIOR TO H10	WB 81-211
3	RLY30061	INTEGRATED CONTROL BEGINNING H10	WB 81-211
3	RLY30045	INTEGRATED CONTROL PRIOR TO H10	WB 51
3	RLY30063	INTEGRATED CONTROL BEGINNING H10	WB 51
3	RLY30044	HIGH ALTITUDE INTEGRATED CONTROL PRIOR TO H10	WB 81-211
3	RLY30062	HIGH ALTITUDE INTEGRATED CONTROL BEGINNING H10	WB 81-211
3	RLY30046	HIGH ALTITUDE INTEGRATED CONTROL PRIOR TO H10	WB 51
3	RLY30064	HIGH ALTITUDE INTEGRATED CONTROL BEGINNING H10	WB 51
4	RLY20058	USER INTERFACE CONTROL	ALL
	LBL20119	USER INTERFACE OVERLAY	ALL
5	TST2060	INLET SENSOR	ALL
6	TST20009	OUTLET SENSOR/ HIGH LIMIT	ALL
7	RLV30000	AIR VENT VALVE	ALL
8	FAN3030	FAN ASSEMBLY	WB51-106
8	FAN3031	FAN ASSEMBLY	WB151
8	FAN3032	FAN ASSEMBLY	WB211
9	GKT2456	BLOWER GASKET	WB51-81, 151
9	GKT2436	BLOWER GASKET	WB106 & 211
<b>GAS VALVES</b>			
10	VAL3208	GAS VALVE ASSEMBLY	WB51
10	VAL3209	GAS VALVE ASSEMBLY	WB81
10	VAL3210	GAS VALVE ASSEMBLY	WB106
10	VAL3211	GAS VALVE ASSEMBLY	WB151/211
11	GKT2443	GASKET, VENTURI	ALL
12	MSC3006	AIR INLET KIT	ALL
13	MSC2233	GAS VALVE SWITCH	ALL
<b>PILOT &amp; BURNER ASSEMBLIES</b>			
14	PLT3022	FLAME SENSOR W/ GASKET	ALL
15	GKT2450	GASKET, FLAME SENSOR	ALL
16	PLT3021	IGNITOR W/ GASKET	ALL
17	GKT2449	GASKET, IGNITER	ALL
18	BNR3424	BURNER W/ GASKET	WB51/81
18	BNR3425	BURNER W/ GASKET	WB106
18	BNR3426	BURNER W/ GASKET	WB151
18	BNR3427	BURNER W/ GASKET	WB211
19	GKT2451	GASKET, BURNER	ALL
20	WTR3077	GAS/AIR ARM ASSEMBLY W/GASKET	WB 51-151
20	WTR3078	GAS/AIR ARM ASSEMBLY W/GASKET	WB211
21	GKT2454	GASKET, GAS/AIR ARM ASSEMBLY	ALL
22	WTR30002	HEAT EXCHANGER ACCESS DOOR	ALL
<b>MISCELLANEOUS</b>			
23	MSC3180	SIGHT GLASS	ALL
24	GKT2453	GASKET, SIGHT GLASS	ALL
25	FIB2167	DIVIDER PLATE, INSULATION BAFFLE	ALL
26	FIB2291	BURNER PLATE, INSULATION, DOOR	ALL
27	MSC2230	DISPLAY BEZEL	ALL
<b>PLEASE HAVE MODEL AND SERIAL NUMBER WHEN ORDERING PARTS</b>			

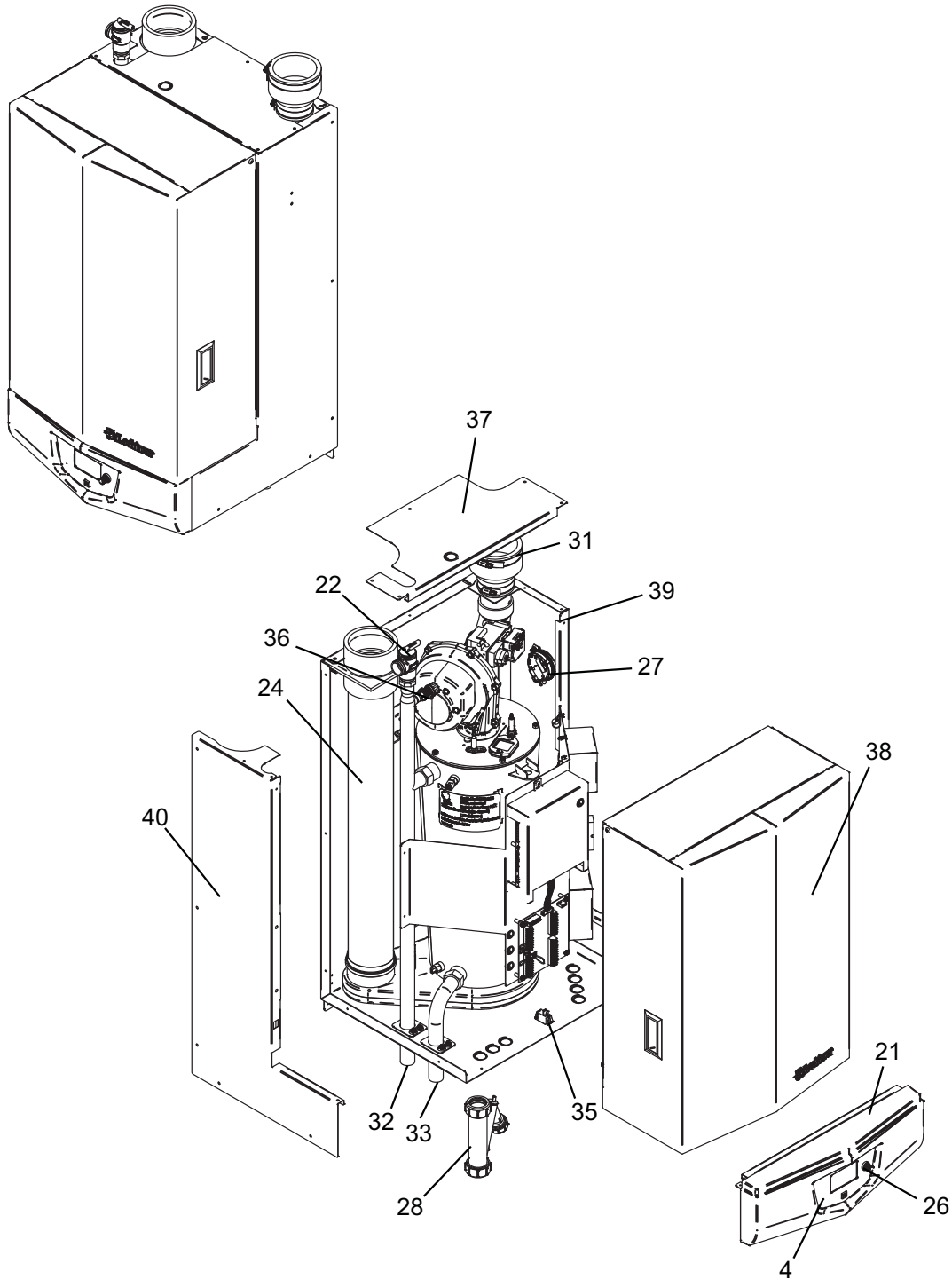
ITEM NO.	PART NO.	DESCRIPTION	MODEL
<b>MISCELLANEOUS (CONTINUED)</b>			
28	RLV2030	RELIEF VALVE 30 PSI	ALL
29	TST20007	FLUE SENSOR	ALL
30	PVC2047	FLUE CONNECTION 2"	WB51-106
30	PVC2048	FLUE CONNECTION 3"	WB151-211
31	TRF20000	TRANSFORMER, 24V, 40VA	ALL
32	PRS20015	PRESSURE SWITCH	WB51/81
32	PRS20016	PRESSURE SWITCH	WB106/151
32	PRS20017	PRESSURE SWITCH	WB211
33	CPG2059	COUPLING, AIR INLET	ALL
34	MSC20123	KNOB, FLUTED W/ SKIRT	ALL
35	GKT2455	GASKET, DOOR, RUBBER	ALL
	TST2044	BULB WELL, 1/4"	ALL
	TST2032	SYSTEM SENSOR	ALL
	JKB2011	WALL MOUNT BRACKET	ALL
	FUS20001	0.8 AMP	ALL
	FUS2001	3.15 AMP	ALL
	FUS2002	5 AMP	ALL
	WTR2040	FLOW SWITCH	ALL
	TST2311	OUTDOOR AIR SENSOR	ALL
	SWT2011	BLOCKED DRAIN SWITCH	ALL
	GTP2900	GAUGE TRIOMETER, 75# PSI	ALL
	KIT3078	SYSTEM SENSOR KIT	ALL
	WTR20009	MRLWCO WITH TEST	ALL
	KIT3087	NEUTRALIZER KIT	ALL
	KIT3085	ALARM BELL	ALL
	LPK3418	LP CONVERSION KIT	WB51
	LPK3944	LP CONVERSION KIT	WB81
	LPK3945	LP CONVERSION KIT	WB106
	LPK3947	LP CONVERSION KIT	WB151/211
	MSC20009	CONDENSATE TRAP ASSEMBLY	ALL
	KIT30062	HEAT EXCHANGER CLEANING KIT	WB51-106
	KIT30063	HEAT EXCHANGER CLEANING KIT	WB151-211
<b>PUMPS</b>			
	PUM3020	PUMP	ALL
	PUM30005	PUMP, HIGH ALTITUDE	ALL
<b>JACKET ASSEMBLY</b>			
36	JKB6143	JACKET, TOP	WB051-081
36	JKB6149	JACKET, TOP	WB106
36	JKB6150	JACKET, TOP	WB151
36	JKB6151	JACKET, TOP	WB211
37	JKB30000	JACKET, FRONT	ALL
38	JKB6152	JACKET, LEFT SIDE	WB051 - 106
38	JKB5153	JACKET, LEFT SIDE	WB151
38	JKB6154	JACKET, LEFT SIDE	WB211
39	JKB40078	JACKET, RIGHT SIDE	WB051 - 106
39	JKB40073	JACKET, RIGHT SIDE	WB151
39	JKB40074	JACKET, RIGHT SIDE	WB211
<b>PLEASE HAVE MODEL AND SERIAL NUMBER WHEN ORDERING PARTS</b>			



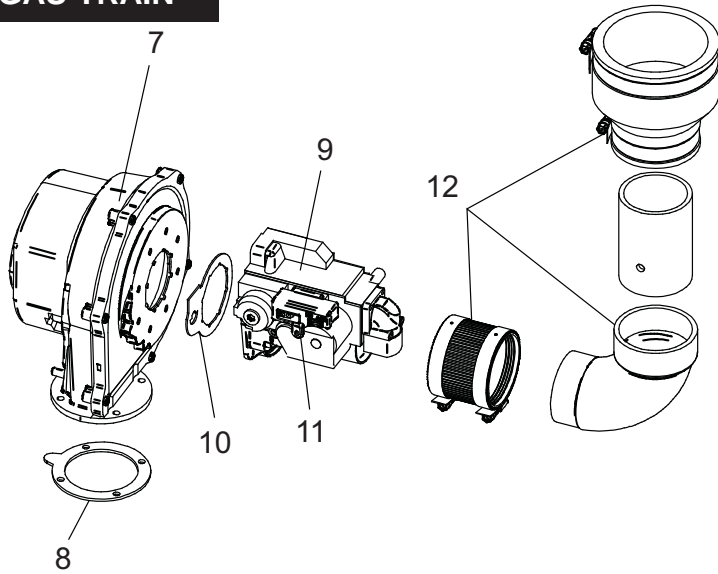
**Replacement Parts List**

**PARTS & SERVICE DEPARTMENT**  
 Nashville, Tennessee  
 615-889-8900 • Fax: 615-882-2918  
 parts\_team@lochinvar.com  
 www.Lochinvar.com

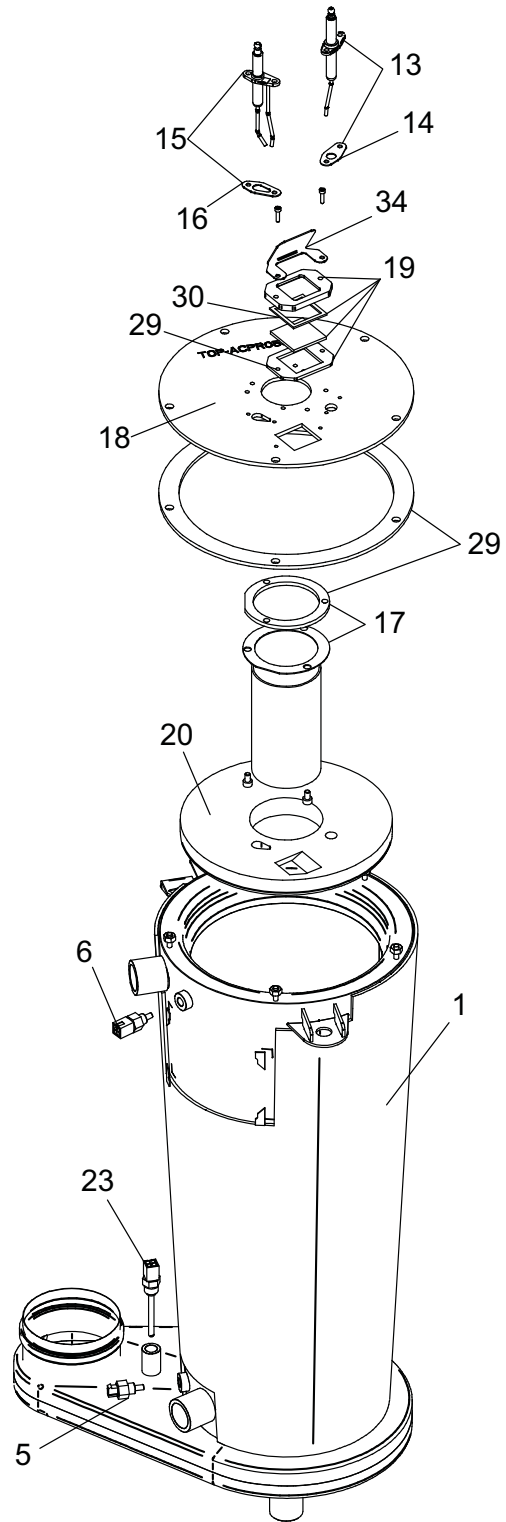
**Knight**  
**Wall Mount Boilers**  
**WH 55 thru 399**



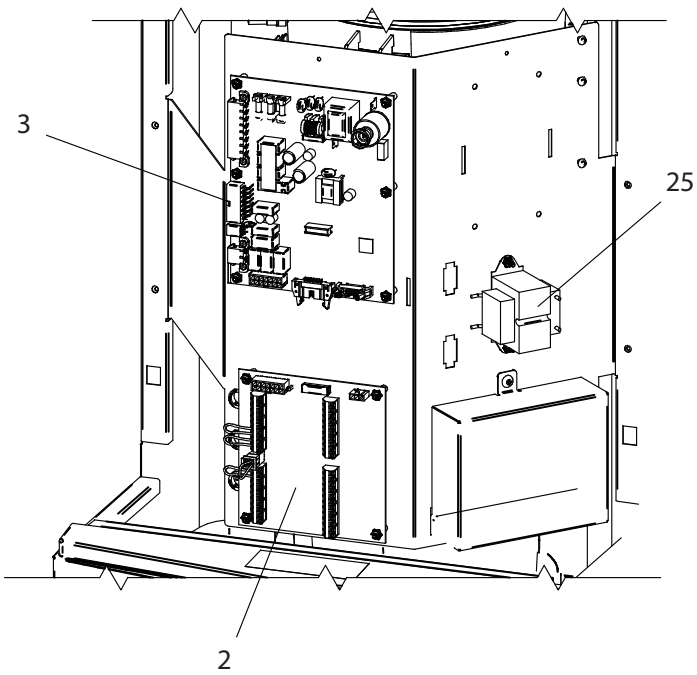
### GAS TRAIN



### HEAT EXCHANGER



### CONTROL PANEL



ITEM NO.	PART NO.	DESCRIPTION	MODEL
<b>HEAT EXCHANGER ASSEMBLY</b>			
1	HEX30029	HEAT EXCHANGER	WH55
1	HEX30030	HEAT EXCHANGER	WH85
1	HEX30031	HEAT EXCHANGER	WH110
1	HEX30032	HEAT EXCHANGER	WH155
1	HEX30033	HEAT EXCHANGER	WH199
1	HEX30034	HEAT EXCHANGER	WH285
1	HEX30035	HEAT EXCHANGER	WH399

PLEASE HAVE MODEL AND SERIAL NUMBER WHEN ORDERING PARTS

ITEM NO.	PART NO.	DESCRIPTION	MODEL
<b>CONTROLS</b>			
2	RLY20064	LOW VOLTAGE CONNECTION BOARD	ALL
3	RLY30075	INTEGRATED CONTROL	WH55 -110
3	RLY30076	INTEGRATED CONTROL	WH155
3	RLY30077	INTEGRATED CONTROL	WH199
3	RLY30078	INTEGRATED CONTROL	WH285
3	RLY30079	INTEGRATED CONTROL	WH399
3	RLY30080	HIGH ALTITUDE INTEGRATED CONTROL	WH55 -110
3	RLY30081	HIGH ALTITUDE INTEGRATED CONTROL	WH155
3	RLY30082	HIGH ALTITUDE INTEGRATED CONTROL	WH199
3	RLY30083	HIGH ALTITUDE INTEGRATED CONTROL	WH285
3	RLY30084	HIGH ALTITUDE INTEGRATED CONTROL	WH399
4	RLY20058	USER INTERFACE CONTROL	ALL
5	TST20023	INLET SENSOR	ALL
6	TST20022	OUTLET SENSOR/ HIGH LIMIT	ALL
7	FAN3030	FAN ASSEMBLY	WH55-155
7	FAN3033	FAN ASSEMBLY	WH199 & 285
7	FAN3035	FAN ASSEMBLY	WH399
8	GKT2436	BLOWER GASKET	ALL
<b>GAS VALVES</b>			
9	VAL30031	GAS VALVE ASSEMBLY	WH55
9	VAL30032	GAS VALVE ASSEMBLY	WH85
9	VAL30033	GAS VALVE ASSEMBLY	WH110
9	VAL30034	GAS VALVE ASSEMBLY	WH155
9	VAL30035	GAS VALVE ASSEMBLY	WH199
9	VAL30036	GAS VALVE ASSEMBLY	WH285
9	VAL30037	GAS VALVE ASSEMBLY	WH399
10	GKT2443	GASKET, VENTURI	WH55 - 285
10	GKT2444	GASKET, VENTURI	WH399
11	MSC2233	GAS VALVE SWITCH	WH55-285
12	MSC30021	AIR INLET KIT	WH55 & 85
12	MSC30022	AIR INLET KIT	WH110-285
12	MSC30023	AIR INLET KIT	WH399
<b>PILOT &amp; BURNER ASSEMBLIES</b>			
13	PLT3022	FLAME SENSOR W/ GASKET	ALL
14	GKT2450	GASKET, FLAME SENSOR	ALL
15	PLT3021	IGNITOR W/ GASKET	ALL
16	GKT2449	GASKET, IGNITOR	ALL
17	BNR30004	BURNER W/ GASKET	WH55
17	BNR30005	BURNER W/ GASKET	WH85
17	BNR30006	BURNER W/ GASKET	WH110
17	BNR30007	BURNER W/ GASKET	WH155
17	BNR30008	BURNER W/ GASKET	WH199
17	BNR30010	BURNER W/ GASKET	WH285 & 399
18	WTR30003	HEAT EXCHANGER ACCESS DOOR	WH55 & 85
18	WTR30004	HEAT EXCHANGER ACCESS DOOR	WH110
18	WTR30005	HEAT EXCHANGER ACCESS DOOR	WH155
18	WTR30006	HEAT EXCHANGER ACCESS DOOR	WH199
18	WTR30008	HEAT EXCHANGER ACCESS DOOR	WH285
18	WTR30007	HEAT EXCHANGER ACCESS DOOR	WH399
<b>MISCELLANEOUS</b>			
19	MSC30024	SIGHT GLASS W/ GASKET	ALL
20	FIB20078	BURNER PLATE, INSULATION, DOOR	WH55 & 85
20	FIB20083	BURNER PLATE, INSULATION, DOOR	WH110
20	FIB20079	BURNER PLATE, INSULATION, DOOR	WH155
20	FIB20080	BURNER PLATE, INSULATION, DOOR	WH199
20	FIB20111	BURNER PLATE, INSULATION, DOOR	WH285
20	FIB20081	BURNER PLATE, INSULATION, DOOR	WH399
21	MSC2230	DISPLAY BEZEL	WH55-285
21	MSC20131	DISPLAY BEZEL	WH399
22	RLV2030	RELIEF VALVE 30 PSI	ALL
23	TST20007	FLUE SENSOR	ALL
24	PVC20050	FLUE CONNECTION 2"	WH55 & 85
24	PVC20051	FLUE CONNECTION 3"	WH110-285
24	PVC20052	FLUE CONNECTION 4"	WH399
25	TRF20000	TRANSFORMER, 24V, 40VA	ALL
26	MSC20123	KNOB, FLUTED W/ SKIRT	ALL
27	PRS20000	PRESSURE SWITCH	WH55 & 85

PLEASE HAVE MODEL AND SERIAL NUMBER WHEN ORDERING PARTS

ITEM NO.	PART NO.	DESCRIPTION	MODEL
<b>MISCELLANEOUS CONTINUED</b>			
27	PRS20021	PRESSURE SWITCH	WH110 & 155
27	PRS20002	PRESSURE SWITCH	WH199 & 285
27	PRS20022	PRESSURE SWITCH	WH399
28	MSC30020	CONDENSATE TRAP ASSEMBLY	ALL
29	GKT20053	GASKET SET (BURNER, HEAT EXCHANGER, SIGHT GLASS)	WH55
29	GKT20046	GASKET SET (BURNER, HEAT EXCHANGER, SIGHT GLASS)	WH85
29	GKT20047	GASKET SET (BURNER, HEAT EXCHANGER, SIGHT GLASS)	WH110
29	GKT20048	GASKET SET (BURNER, HEAT EXCHANGER, SIGHT GLASS)	WH155
29	GKT20049	GASKET SET (BURNER, HEAT EXCHANGER, SIGHT GLASS)	WH199
29	GKT20062	GASKET SET (BURNER, HEAT EXCHANGER, SIGHT GLASS)	WH285
29	GKT20050	GASKET SET (BURNER, HEAT EXCHANGER, SIGHT GLASS)	WH399
30	GKT20057	GASKET, SIGHT GLASS TOP	ALL
31	CPG2062	COUPLING, AIR INLET	WH55 & 85
31	CPG2059	COUPLING, AIR INLET	WH110-285
31	CPG2060	COUPLING, AIR INLET	WH399
32	TUB30001	OUTLET WATER PIPE 1"	WH55-155
32	TUB30002	OUTLET WATER PIPE 1 1/4"	WH199 & 285
32	TUB30003	OUTLET WATER PIPE 1 1/2"	WH399
33	TUB20009	INLET WATER PIPE 1"	WH55-155
33	TUB20011	INLET WATER PIPE 1 1/4"	WH199 & 285
33	TUB20013	INLET WATER PIPE 1 1/2"	WH399
34	JKB60342	MIRROR, SIGHT GLASS	ALL
35	SWT2006	SWITCH, ON/OFF	ALL
36	RLV30000	AIR VENT VALVE	ALL
	GAC2028	GAS COCK 3/4"	WH399
	WRE20099	HARNESS, ELECTRODE, FLAME SENSE	ALL
	WRE20100	HARNESS, ELECTRODE, SPARK	ALL
	WRE2203	CABLE, RIBBON	ALL
	MSC2201	CATCH, DOOR	ALL
	MSC2202	STRIKE, DOOR	ALL
	TST2044	BULB WELL, 1/4"	ALL
	TST2032	SYSTEM SENSOR	ALL
	KIT3078	KIT, SYSTEM SENSOR	ALL
	JKB2011	WALL MOUNT BRACKET	ALL
	FUS20001	0.8 AMP	ALL
	FUS2001	3.15 AMP	ALL
	FUS2002	5 AMP	ALL
	WTR2040	FLOW SWITCH	ALL
	TST2311	OUTDOOR AIR SENSOR	ALL
	GTP2900	GAUGE TRIOMETER, 75# PSI	ALL
	WTR20009	MRLWCO WITH TEST	ALL
	KIT3087	NEUTRALIZER KIT	ALL
	KIT3085	ALARM BELL	ALL
	LPK30005	LP CONVERSION KIT	WH55
	LPK30010	LP CONVERSION KIT	WH85
	LPK30007	LP CONVERSION KIT	WH110
	LPK30009	LP CONVERSION KIT	WH155
	LPK30011	LP CONVERSION KIT	WH199
	LPK30008	LP CONVERSION KIT	WH285
	LPK3949	LP CONVERSION KIT	WH399
<b>PUMPS</b>			
	PUM30005	PUMP	WH55-155
	PUM3020	PUMP	WH199
	PUM3021	PUMP	WH285
	PUM30012	PUMP	WH399
<b>JACKET ASSEMBLY</b>			
37	JKB60274	JACKET, TOP	WH55 & 85
37	JKB60284	JACKET, TOP	WH110 & 155
37	JKB60287	JACKET, TOP	WH199 & 285
37	JKB60293	JACKET, TOP	WH399
38	JKB30016	JACKET, FRONT DOOR ASSEMBLY	WH55 & 85
38	JKB30017	JACKET, FRONT DOOR ASSEMBLY	WH110-285
38	JKB30018	JACKET, FRONT DOOR ASSEMBLY	WH399
39	JKB40135	JACKET, RIGHT SIDE ASSEMBLY	WH55 & 85
39	JKB40139	JACKET, RIGHT SIDE ASSEMBLY	WH110-285
39	JKB40140	JACKET, RIGHT SIDE ASSEMBLY	WH399
40	JKB60273	JACKET, LEFT SIDE	WH55 & 85
40	JKB60283	JACKET, LEFT SIDE	WH110-285
40	JKB60292	JACKET, LEFT SIDE	WH399
<b>PLEASE HAVE MODEL AND SERIAL NUMBER WHEN ORDERING PARTS</b>			