


For Residential and Commercial Applications

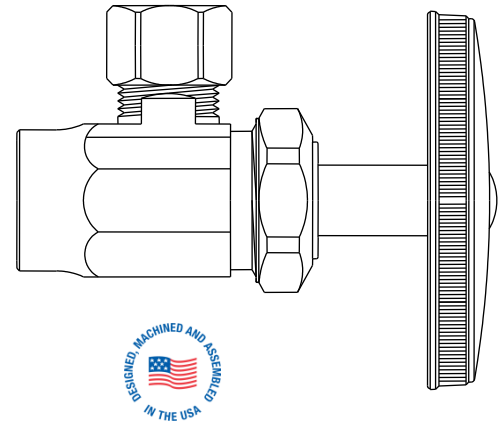
Job Name		Engineer / Architect	
Job Location		Wholesaler	
Submittal Date		Contractor	

R1B/R09/R19/R39 Multi-Turn Angle Stop – Sweat x Compression

Use: For use with water in accessible locations only. Not intended for recirculating water systems that produce continuous use temperatures above 115° F. For those applications, use our KT™ series ball stops.

Design Features:

- **Machined one-piece brass body** provides strength, durability and long-lasting performance
- **Oval knurled handle** provides a secure grip and smooth on/off operation
- **Easy-to-remove handle** with screw attachment protects accidental stop operation during rough-ins
- **100% compliant stops** available 



Operating Specifications:

Temperature: 40° - 140° F
Pressure: 125 PSI maximum

Standard

STOP MATERIAL SPECIFICATIONS	
Body	Brass or brass, chrome-plated
Stem	Brass or brass, chrome-plated
Bib & Packing Washers	Nitrile rubber
Packing Nut	Brass or brass, chrome-plated
Handle	Metal or metal, chrome-plated
Handle Screw	Steel, zinc-plated
Compression Sleeve	Brass
Compression Nut	Brass or brass, chrome-plated
Loose Key *	Zinc die-cast
Lock Shield *	Brass or brass, chrome-plated
Loose Key Stem *	Brass or brass, chrome-plated

* SR19 C only

Compliant

STOP MATERIAL SPECIFICATIONS	
Body	Compliant brass or compliant brass, chrome-plated
Stem	Compliant brass or compliant brass, chrome-plated
Bib & Packing Washers	Nitrile rubber
Packing Nut	Brass or brass, chrome-plated
Handle	Metal or metal, chrome-plated
Handle Screw	Steel, zinc-plated
Compression Sleeve	Brass
Compression Nut	Brass or brass, chrome-plated

This specification and all information contained herein is the confidential and exclusive property of BrassCraft Manufacturing, and shall not be disclosed to others without the written consent of BrassCraft Mfg. This specification must be returned to BrassCraft Mfg if requested.



R1B/R09/R19/R39 Multi-Turn Angle Stop – Sweat x Compression

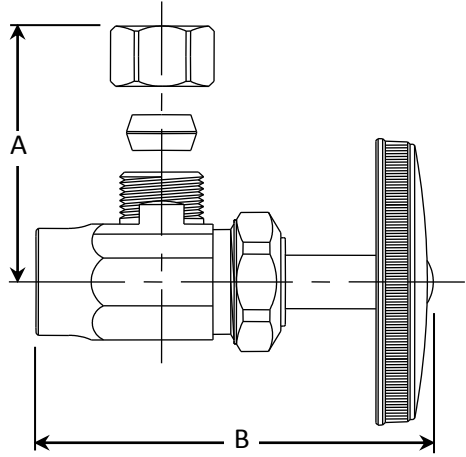
Standard Part Listing:

<input type="checkbox"/>	R1B C	3/8" nom sweat x 3/8" OD compression, chrome plated
<input type="checkbox"/>	R09 C	1/2" nom sweat x 1/4" OD compression, chrome plated
<input type="checkbox"/>	R09 CBT	1/2" nom sweat x 1/4" OD compression, chrome plated, plain tray, bulk
<input type="checkbox"/>	R09 C1	1/2" nom sweat x 1/4" OD compression, chrome plated, window tray
<input type="checkbox"/>	R09 R	1/2" nom sweat x 1/4" OD compression, rough brass
<input type="checkbox"/>	R09 R1	1/2" nom sweat x 1/4" OD compression, rough brass, window tray
<input type="checkbox"/>	R19 C	1/2" nom sweat x 3/8" OD compression, chrome plated
<input type="checkbox"/>	R19 CBT	1/2" nom sweat x 3/8" OD compression, chrome plated, plain tray, bulk
<input type="checkbox"/>	R19 CD	1/2" nom sweat x 3/8" OD compression, chrome plated, carded
<input type="checkbox"/>	R19 C1	1/2" nom sweat x 3/8" OD compression, chrome plated, window tray
<input type="checkbox"/>	R19 R	1/2" nom sweat x 3/8" OD compression, rough brass
<input type="checkbox"/>	R19 RBT	1/2" nom sweat x 3/8" OD compression, rough brass, plain tray, bulk
<input type="checkbox"/>	R19 R1	1/2" nom sweat x 3/8" OD compression, rough brass, window tray
<input type="checkbox"/>	R19P C	1/2" nom sweat x 3/8" OD compression, pre-assembled, chrome plated
<input type="checkbox"/>	R19P R	1/2" nom sweat x 3/8" OD compression, pre-assembled, rough brass
<input type="checkbox"/>	R39 C	1/2" nom sweat x 1/2" OD compression, chrome plated
<input type="checkbox"/>	R39 C1	1/2" nom sweat x 1/2" OD compression, chrome plated, window tray
<input type="checkbox"/>	R39 R	1/2" nom sweat x 1/2" OD compression, rough brass
<input type="checkbox"/>	SR19 C	1/2" nom sweat x 3/8" OD compression, loose key, chrome plated
<input type="checkbox"/>	XR19 C	1/2" nom sweat x 3/8" OD compression, cross handle, chrome plated
<input type="checkbox"/>	XR19 R	1/2" nom sweat x 3/8" OD compression, cross handle, rough brass

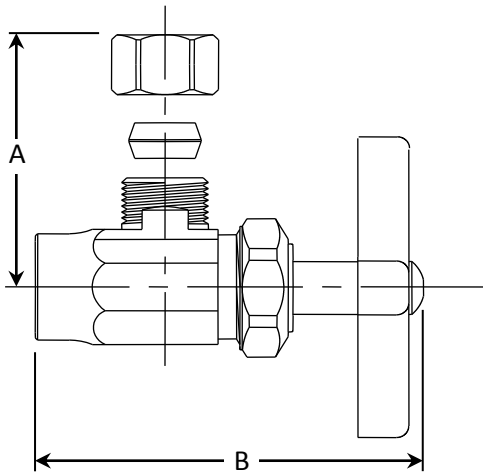
Compliant Part Listing:

<input type="checkbox"/>	R19X C	1/2" nom sweat x 3/8" OD compression, chrome plated
<input type="checkbox"/>	R19X C1	1/2" nom sweat x 3/8" OD compression, chrome plated, window tray
<input type="checkbox"/>	R19X R	1/2" nom sweat x 3/8" OD compression, rough brass
<input type="checkbox"/>	R19X R1	1/2" nom sweat x 3/8" OD compression, rough brass, window tray
<input type="checkbox"/>	R39X C1	1/2" nom sweat x 1/2" OD compression, chrome plated, window tray

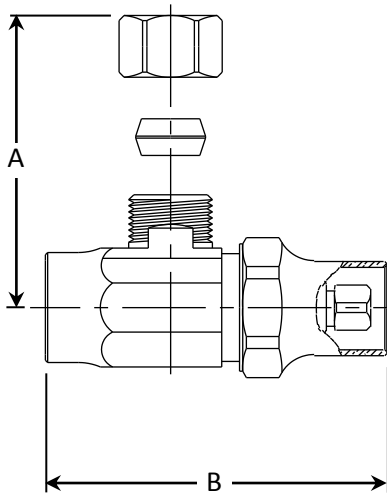
R1B/R09/R19/R39 Multi-Turn Angle Stop – Sweat x Compression



PART DIMENSIONS (Inches)		
Model	DIM. A	DIM. B
R1B	1.02	2.56
R09	1.02	2.50
R19	1.02	2.50
R39	1.15	2.50
SR19	1.02	2.29
XR19	1.02	2.50



XR19 with cross handle



SR19 with loose key

Listings & Certifications:

- IAPMO listed to ASME A112.18.1 / CSA B125.1 (File # 0645)
- CSA listed to ASME A112.18.1 / CSA B125.1 (File # 204593)
- Compliant product CSA listed to Low Lead Content Certification Program – Plumbing Products Class 6853-01



This specification and all information contained herein is the confidential and exclusive property of BrassCraft Manufacturing, and shall not be disclosed to others without the written consent of BrassCraft Mfg. This specification must be returned to BrassCraft Mfg if requested.

