

Peerless® Partner®

Indirect-Fired Water Heaters



Standard Equipment

- > Easy-to-Adjust Temperature Control
- > T&P Relief Valve
- > Super Insulated to Prevent Tank Heat Loss
- > Durable Stainless Steel Tank Construction

Peerless® Partner® Features

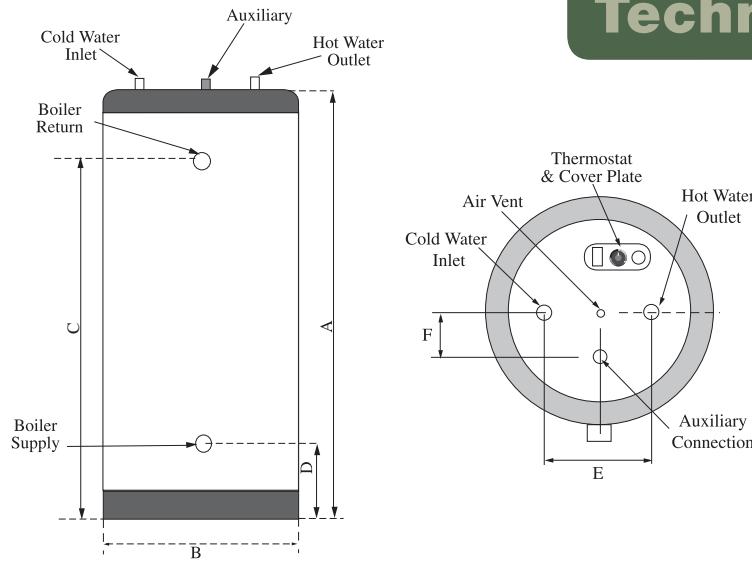
- Now available in 30, 40, 50, 60, 80 and 120 gallon capacities—more sizes to help you match your domestic hot water requirements
- Durable stainless steel double tank design features self-cleaning and descaling action
- Easy to use dial-type temperature control provides extremely accurate temperature selection
- Requires less boiler BTU's to meet performance and recovery ratings than many comparable products
- The enhanced tank's efficient design produces less pressure drop, thereby allowing the use of smaller, less costly circulators
- Lifetime Warranty—full lifetime coverage against manufacturing defects; no pro-rating of warranty
- Tanks include T&P valve and air vent
- High efficiency insulation provides low stand-by losses
- Easy installation—no separate chimney or burner needed



The Peerless® Partner® indirect-fired water heater includes a full, one-year warranty. A limited, lifetime warranty against leaks from the heater's jacket, tank, or heat exchanger is provided for residential applications. A limited, five-year warranty against leaks from the heater's jacket, tank or heat exchanger is provided for commercial applications. Visit PeerlessBoilers.com for complete details.



Technical Information



Peerless® Partner® Ratings

Water Heater Model Number	180°F Boiler Supply Temp						200°F Boiler Supply Temp					
	140°F Hot Water			115°F Hot Water			140°F Hot Water			115°F Hot Water		
	Boiler Heating Capacity (MBH)	1st Hour Flow (gallon/hr)	Continuous Flow (gallon/hr)	Boiler Heating Capacity (MBH)	1st Hour Flow (gallon/hr)	Continuous Flow (gallon/hr)	Boiler Heating Capacity (MBH)	1st Hour Flow (gallon/hr)	Continuous Flow (gallon/hr)	Boiler Heating Capacity (MBH)	1st Hour Flow (gallon/hr)	Continuous Flow (gallon/hr)
PT-30	67	111	89	82	174	152	87	138	116	102	210	188
PT-40	86	143	114	106	224	195	112	178	149	131	271	242
PT-50	107	180	143	132	281	244	140	224	187	164	339	302
PT-60	206	320	275	255	516	471	270	405	360	316	628	583
PT-80	229	362	306	284	579	523	300	456	400	351	704	648
PT-120	321	523	428	397	828	733	420	655	560	492	1,003	907
Conditions: 50°F Domestic Cold Water Inlet Temperature 140°F Domestic Hot Water Outlet Temperature 180°F Boiler Water Supply Temperature			Conditions: 50°F Domestic Cold Water Inlet Temperature 115°F Domestic Hot Water Outlet Temperature 180°F Boiler Water Supply Temperature			Conditions: 50°F Domestic Cold Water Inlet Temperature 140°F Domestic Hot Water Outlet Temperature 200°F Boiler Water Supply Temperature			Conditions: 50°F Domestic Cold Water Inlet Temperature 115°F Domestic Hot Water Outlet Temperature 200°F Boiler Water Supply Temperature			
Water Heater Model Number	180°F Boiler Supply Temp											
	Boiler Heating Capacity (MBH)	1st Hour Flow (gallon/hr)										
		140°F Hot Water		115°F Hot Water								
PP-30-LB	114	169		234								
Conditions: 50°F Domestic Cold Water Inlet Temperature 140°/115°F Domestic Hot Water Outlet Temperature 180°F Boiler Water Supply Temperature												

Peerless® Partner® Dimensions

Water Heater Model Number	Capacity (gallons)		Heating Surface (sq. ft.)	Boiler Head Loss at Min. Flow (Ft. of Water)	Piping Connections (NPT)			Dimensions (Inches)						Thermostat Drywell Length (Inches)	Empty Weight (lbs.)
	Domestic	Boiler			Domestic	Boiler	Aux.	A	B	C	D	E	F		
PT-30	28	5	13	.75	3/4	1	3/4	38	22	30	9	14	6	25	115
PT-40	36	6	16	1.0	3/4	1	3/4	46	22	38	9	14	6	29	135
PT-50	46	8	20	1.25	3/4	1-1/4	3/4	57	22	49	9	14	6	37	165
PT-60	56	8	24	1.50	3/4	1-1/4	3/4	66	22	58	9	14	6	47	190
PT-80	70	14	29	2.0	1-1/2	1-1/2	1-1/2	61	26	50-1/2	10	10-1/2	10-1/2	47	271
PT-120	119	43	42	2.50	1-1/2	2	1-1/2	72	32	64	10	10-1/2	5	51	479
Water Heater Model Number	Capacity (gallons)	Heating Surface (sq. ft.)	Boiler Head Loss at Min. Flow (Ft. of Water)	Piping Connections (NPT)		Dimensions (Inches)		Empty Weight (lbs.)							
				Domestic	Boiler	A	D								
PP-30-LB	22	15	6.0	3/4	1	28-1/2	23-1/4	68							



PeerlessBoilers.com



Printed on Recycled Paper

PeerlessBoilers.com

CUT-PARTNER R0 (10/12-5M)
Printed in U.S.A.
©2012 PB Heat, LLC. All rights reserved.