

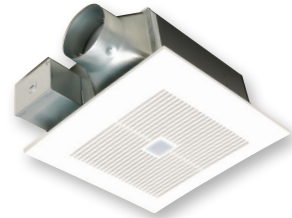
# Panasonic

## WhisperFit® EZ VENTILATION FAN

FV-08-11VF5, FV-08-11VFM5, FV-08-11VFL5



FV-08-11VF5



FV-08-11VFM5



FV-08-11VFL5  
(with 3" duct adapter)

- Ideal for remodeling and hotel new construction or renovation
- Pick-A-Flow™ Speed Selector – one fan, you choose the CFM (80 or 110)
- Flex-Z Fast™ bracket provides flexible, fast and easy installation
- Detachable installation adapter provides even greater flexibility
- Low profile housing design fits in 2 x 6 construction
- 4" duct with 3" duct adapter included
- Lighted model features a flush mount grille with (2) 13W self-ballasted GU24 base CFL lamps
- Fan model FV-08-11VFM5 incorporates a SmartAction® Motion Sensor
- Engineered to comply with upcoming ENERGY STAR® requirements for increased efficiency (CFM/Watt)

### ADDITIONAL BENEFITS

- Built-in metal flange provides blocking for penetrations through drywall as an Air Barrier, and assists with the decrease in leakage in the Building Envelope during blower door testing
- Lighted model features 75 Lumens Per Watt (LPW), the highest LPW in the industry.
- UL listed for tub/shower enclosure when GFCI protected
- Can be used to comply with ASHRAE 62.2, LEED, IAP, California Title 24 and WA Ventilation Code
- 3-year warranty on parts, 3 year on CFL lamps



★★★★★ 6 YEARS IN A ROW

# The ideal retrofit solution, premium low profile design and ultra-quiet performance

WhisperFit® EZ is the perfect solution for any remodeler looking to quickly and easily replace an existing fan from below the ceiling. This fan enables you to utilize existing duct, while its low profile housing design ensures a proper fit in virtually any ceiling. Installation is made simple with the Flex-Z Fast™ installation bracket with articulating joints for easy positioning through a ceiling cavity. The detachable installation adapter provides even greater flexibility when wiring and attaching the duct. Once installed, use the Pick-A-Flow™ speed selector to customize the air flow to meet your customers' ventilation needs. All of these great features combined make WhisperFit® EZ the fastest, easiest, ENERGY STAR® retrofit fan available.

## With WhisperFit® EZ, installation is as Easy as 1-2-3!

**Step 1:** Install Flex-Z Fast™ installation bracket with existing 3" duct and wiring.



Flex-Z Fast™ Installation Bracket

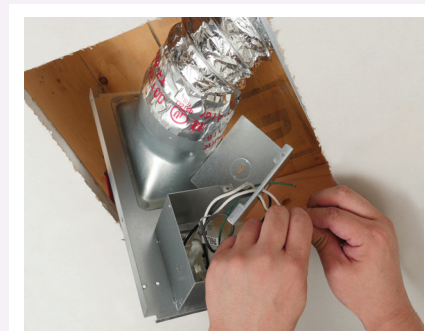


Flex-Z Fast™ Installation Bracket  
Installed with Existing Duct and Wiring

**Step 2:** Detach installation adapter from the housing to connect wiring and attach duct.

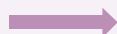


Detachable Installation Adapter Simply  
Slides Off



Wiring and Duct Installation Made E-Z

**Step 3:** Fan is installed and ready to go!



## Installed Performance and Quiet Operation at 0.25" w.g. Static Pressure

ASHRAE 62.2, ENERGY STAR®, LEED for Homes, and HVI have set the industry standard for performance measurement at 0.25" w.g. WhisperFit® EZ fans not only provide powerful CFM output at 0.25" w.g., but our sones have also been certified at 0.25" w.g., so they are quiet under pressure and after installation.



SPECIFICATIONS		WhisperFit® EZ (Fan)								WhisperFit® EZ (Fan with Motion Sensor)							
		FV-08-11VF5								FV-08-11VFM5							
		4"		3"		4"		3"		4"		3"		4"		3"	
<b>Characteristics</b> (HVI tested data for 0.1" S.P.)	Static Pressure in inches w.g.	0.1	0.25	0.1	0.25	0.1	0.25	0.1	0.25	0.1	0.25	0.1	0.25	0.1	0.25	0.1	0.25
	Air Volume (CFM)	110	104	100	85	80	73	70	61	110	102	100	88	80	71	70	59
	Noise (sones)	0.8	1.2	1.3	1.5	0.3	0.6	0.5	1.1	0.8	1.2	1.3	1.5	0.3	0.8	0.5	1.1
	Power Consumption (watts)	26.5	26.4	26.4	25.9	21.1	20.7	20.9	20.3	27.0	26.8	26.8	26.3	21.6	21.1	21.4	20.8
	Energy Efficiency (CFM/Watt)	4.2	4.0	3.9	3.5	3.8	3.5	3.5	3.2	4.1	3.8	3.8	3.3	3.7	3.3	3.5	3.0
	Speed (RPM)	961	1179	1215	1369	848	1123	1005	1236	955	1174	1197	1352	847	1131	1008	1229
	Current (amps)	0.23	0.23	0.22	0.22	0.18	0.17	0.17	0.17	0.23	0.23	0.23	0.22	0.18	0.18	0.18	0.17
	MAX. Current (amps)	0.23		0.23		0.20		0.20		0.23				0.18			
	Power Rating (V/Hz)	120/60				120/60				120/60				120/60			
<b>Specifications</b>	Motor Type	AC				AC				AC				AC			
	Type of Motor Bearing	Ball				Ball				Ball				Ball			
	Thermal Fuse Protection	Yes				Yes				Yes				Yes			
	Blower Wheel Type	Sirocco				Sirocco				Sirocco				Sirocco			
	ENERGY STAR Qualified	Yes				Yes				Yes				Yes			
<b>Installation</b>	Duct Diameter (Inches)	4				3				4				3			
	Mounting Opening (Inches sq.)	10-1/2				10-1/2				10-1/2				10-1/2			
	Grille Size (Inches sq.)	13				13				13				13			
<b>Light Specifications</b>	Lamp Watts	N/A				N/A				N/A				N/A			
	Lumens (lm)	N/A				N/A				N/A				N/A			
	Lumens Per Watt (LPW)	N/A				N/A				N/A				N/A			
	Color Rendering Index	N/A				N/A				N/A				N/A			
	Color Temperature (Kelvin)	N/A				N/A				N/A				N/A			
	Rated Life (hours)	N/A				N/A				N/A				N/A			
	Lamp Model #	N/A				N/A				N/A				N/A			
Type of Lamp Socket	N/A				N/A				N/A				N/A				
<b>Night Light Specs</b>	Night Light Watts	N/A				N/A				N/A				N/A			
<b>Shipping</b>	Gross Weight (lbs)	11.2				11.2				11.9				11.9			
<b>Approved Code/ Standard/Regulation</b>	UL tub/Shower Enclosure	Yes				Yes				Yes				Yes			
	Washington VIAQ Code	Yes				Yes				Yes				Yes			
	California Title 24 Compliant	Yes				Yes				Yes				Yes			
	Mfg in ISO 9001 Certified Facility	Yes				Yes				Yes				Yes			

\*As tested by an EPA recognized lab

\*\*Lamp contains mercury. Dispose of according to local, state and federal laws.

NOTE: 0.25" w.g. = Installed Performance



## Lighted Model

WhisperFit® EZ contemporary flush mount grille incorporates (2) 13W ENERGY STAR® rated self-ballasted GU24 base CFL lamps and a 4W night light. 3500 Kelvin >80 CRI/998 Lumens per lamp\*/75 Lumens Per Watt/10,000 hours rated average life/equivalent to (2) 75W incandescent lamps.

\*[2] 13W self-ballasted GU24 base CFL lamps included

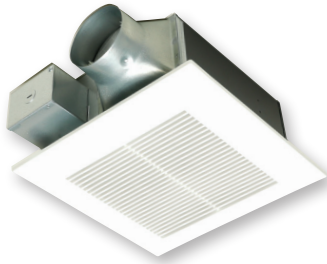


WhisperFit® EZ (Fan/Light)									
SPECIFICATIONS		FV-08-11VFL5							
		4"		3"		4"		3"	
<b>Characteristics</b> (HVI tested data for 0.1" S.P.)	Static Pressure in inches w.g.	0.1	0.25	0.1	0.25	0.1	0.25	0.1	0.25
	Air Volume (CFM)	110	102	100	86	80	72	70	60
	Noise (sones)	1.0	1.3	1.3	1.5	0.4	0.7	0.6	1.0
	Power Consumption (watts)	26.6	26.5	26.4	25.8	20.9	20.5	20.8	20.2
	Energy Efficiency (CFM/Watt)	4.2	3.9	3.9	3.4	3.8	3.5	3.7	3.2
	Speed (RPM)	1033	1240	1270	1399	905	1164	1065	1263
	Current (amps)	0.23	0.22	0.22	0.22	0.17		0.17	
	MAX. Current (amps)	0.23				0.18			
	Power Rating (V/Hz)	120/60				120/60			
<b>Specifications</b>	Motor Type	AC				AC			
	Type of Motor Bearing	Ball				Ball			
	Thermal Fuse Protection	Yes				Yes			
	Blower Wheel Type	Sirocco				Sirocco			
	ENERGY STAR Qualified	Yes				Yes			
<b>Installation</b>	Duct Diameter (Inches)	4		3		4		3	
	Mounting Opening (Inches sq.)	10-1/2				10-1/2			
	Grille Size (Inches sq.)	13				13			
<b>Light Specifications</b>	Lamp Watts	2 x 13W				2 x 13W			
	Lumens (lm)	998lm per lamp*				998lm per lamp*			
	Lumens Per Watt (LPW)	75LPW*				75LPW*			
	Color Rendering Index	>80				>80			
	Color Temperature (Kelvin)	3500K				3500K			
	Rated Life (hours)	10,000				10,000			
	Lamp Model #	MLS13GU35				MLS13GU35			
	Type of Lamp Socket	GU24				GU24			
<b>Night Light Specs</b>	Night Light Watts	4W				4W			
<b>Shipping</b>	Gross Weight (lbs)	12.6				12.6			
<b>Approved Code/ Standard/Regulation</b>	UL tub/Shower Enclosure	Yes				Yes			
	Washington VIAQ Code	Yes				Yes			
	California Title 24 Compliant	Yes				Yes			
	Mfg in ISO 9001 Certified Facility	Yes				Yes			

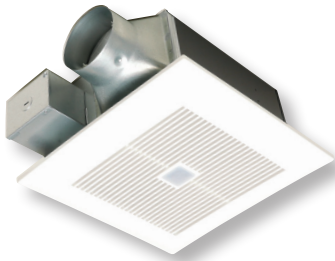
\*As tested by an EPA recognized lab

\*\*Lamp contains mercury. Dispose of according to local, state and federal laws.

NOTE: 0.25" w.g. = Installed Performance



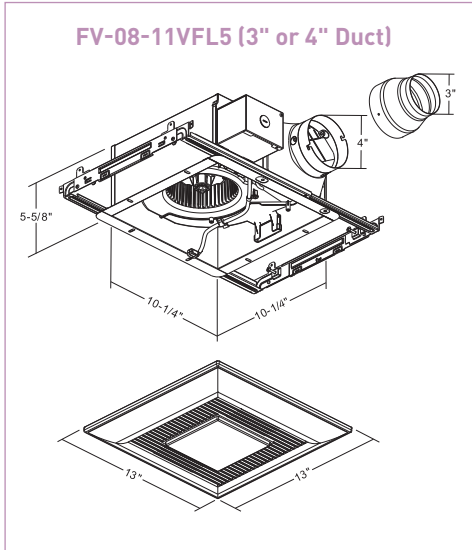
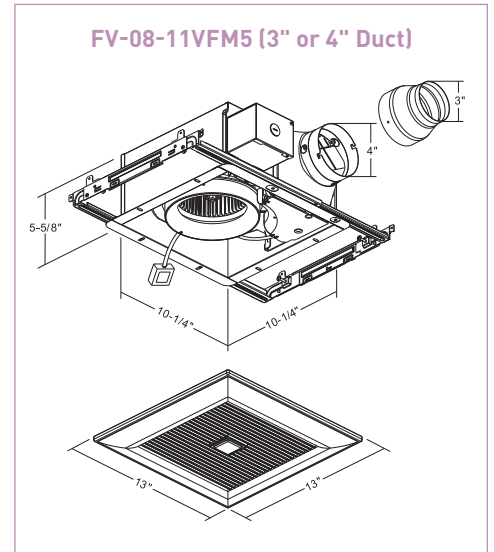
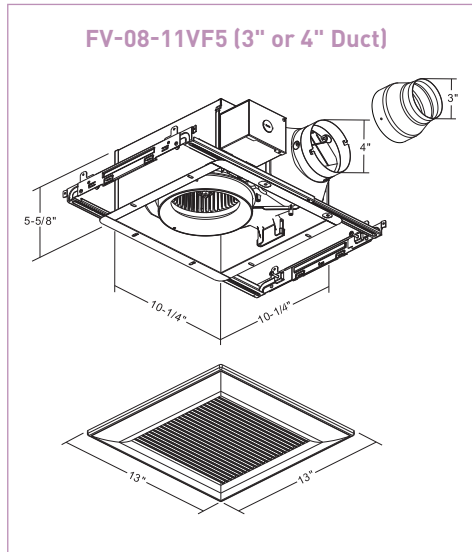
**FV-08-11VF5**



**FV-08-11VFM5**



**FV-08-11VFL5  
(with 3" duct adapter)**





**WhisperFit<sup>®</sup> EZ**  
VENTILATION FAN



**Panasonic Eco Solutions of North America  
Eco Products Division**  
Two Riverfront Plaza  
Newark, NJ 07102  
[us.panasonic.com/ventfans](http://us.panasonic.com/ventfans)

**For Order Information**  
PHONE: 866-292-7299  
FAX: 888-553-0723  
[ventfans@us.panasonic.com](mailto:ventfans@us.panasonic.com)