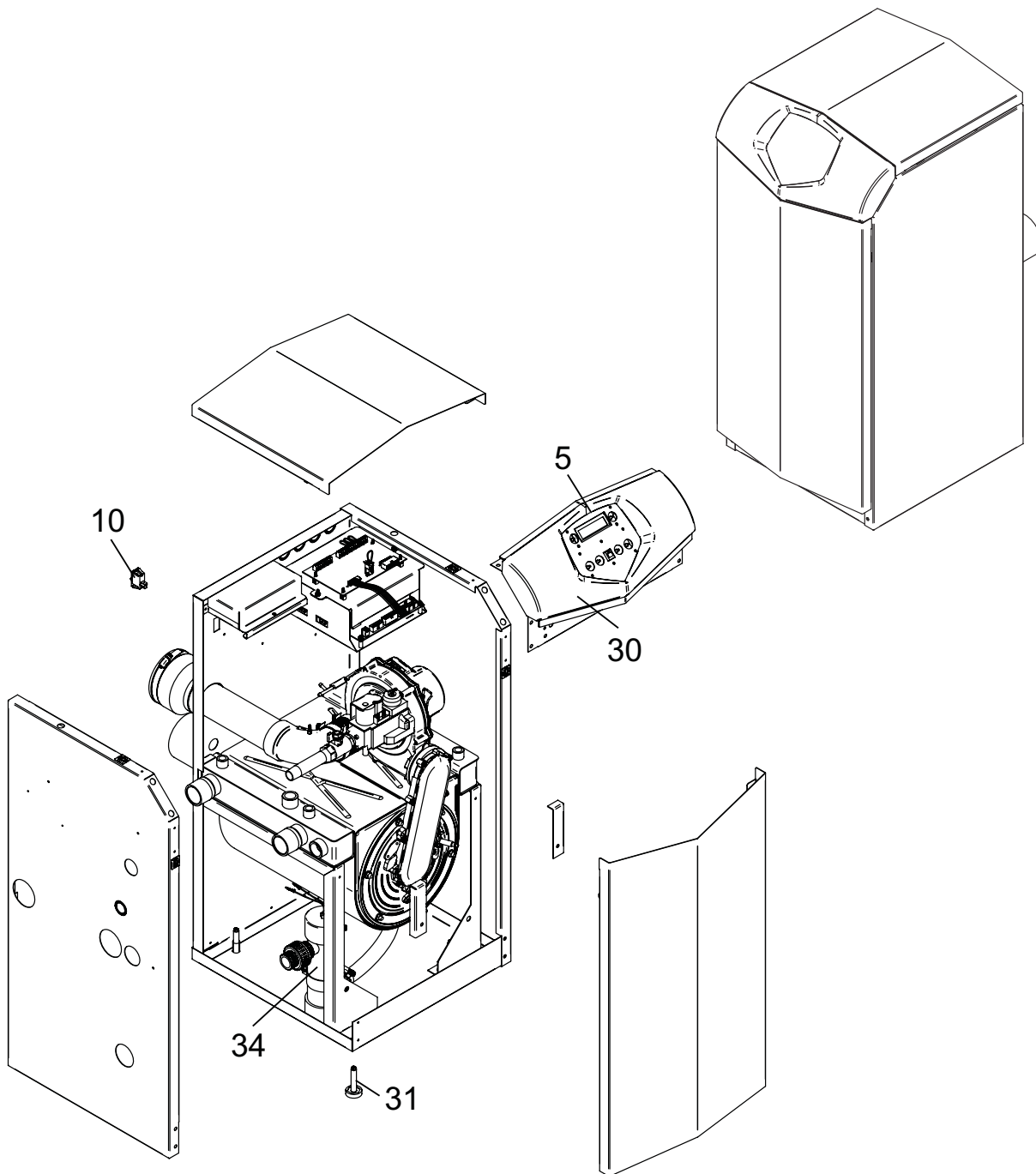




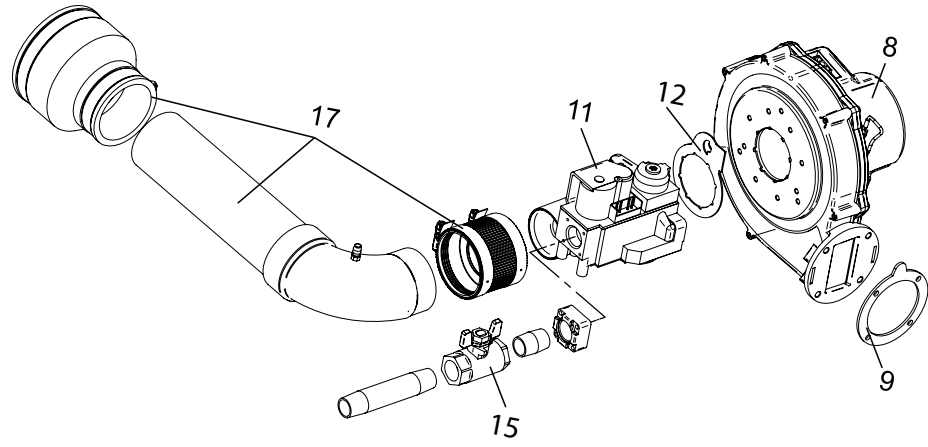
**PARTS & SERVICE DEPARTMENT**  
 Nashville, Tennessee  
 615-889-8900 • Fax: 615-882-2918  
 parts\_team@lochinvar.com  
 www.Lochinvar.com

**Replacement Parts List**

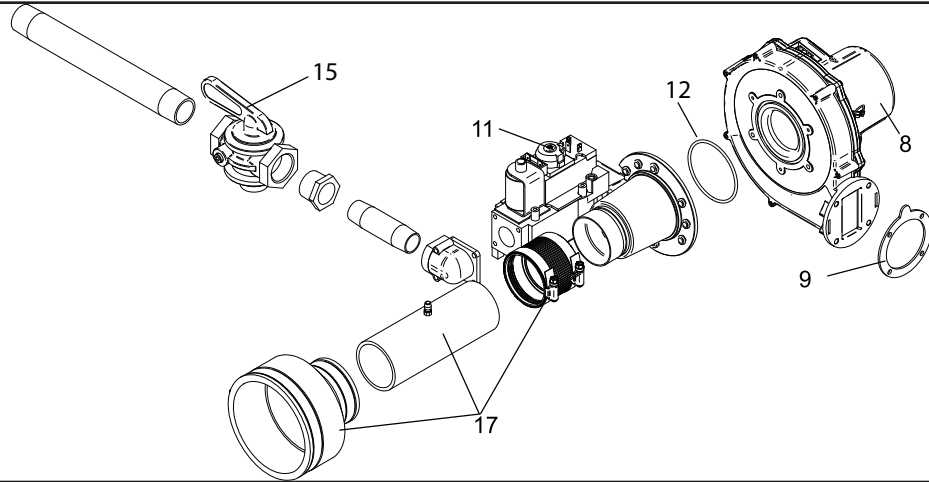
**Armor**  
**Condensing Water Heater**  
**AW 150 thru 800**



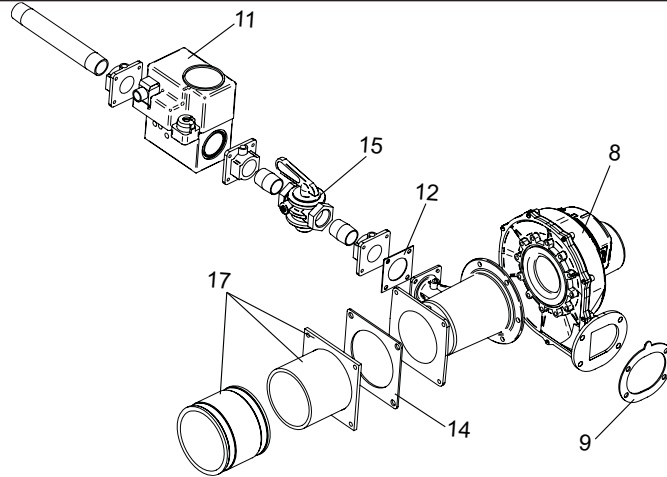
**GAS TRAIN 150-285**



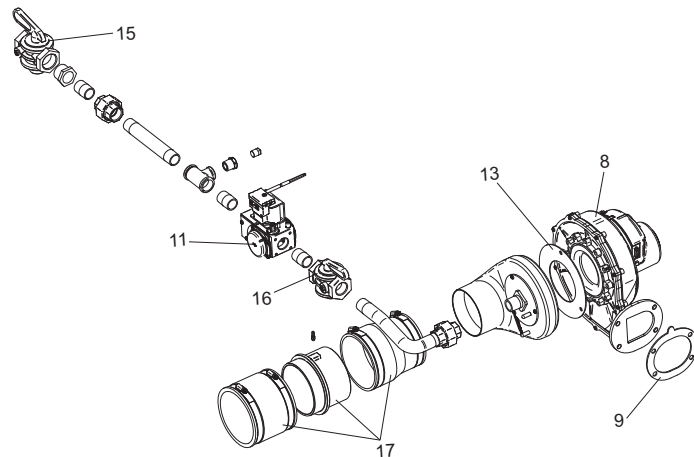
**GAS TRAIN 399**



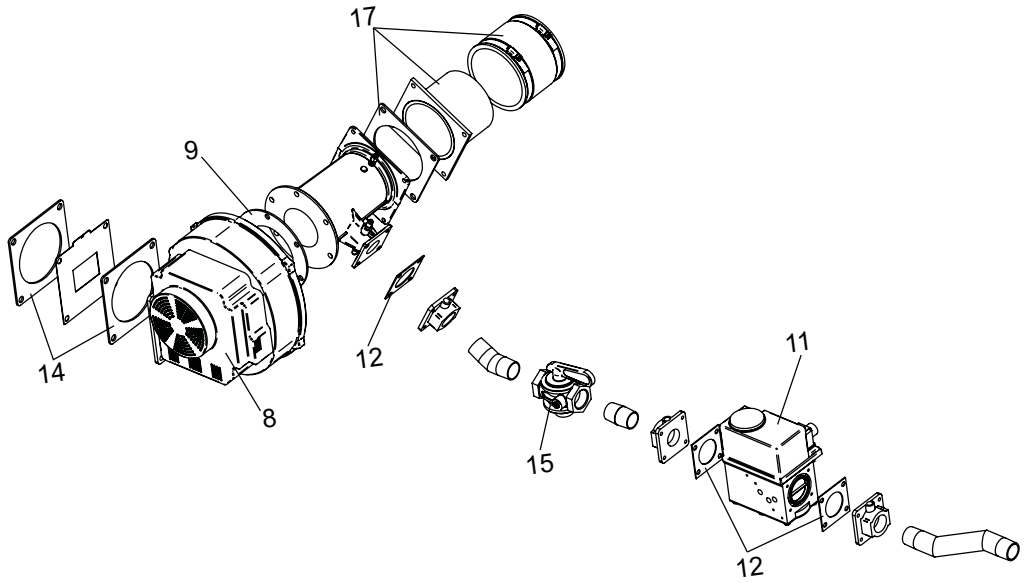
**GAS TRAIN 500  
Before H07H10046461**



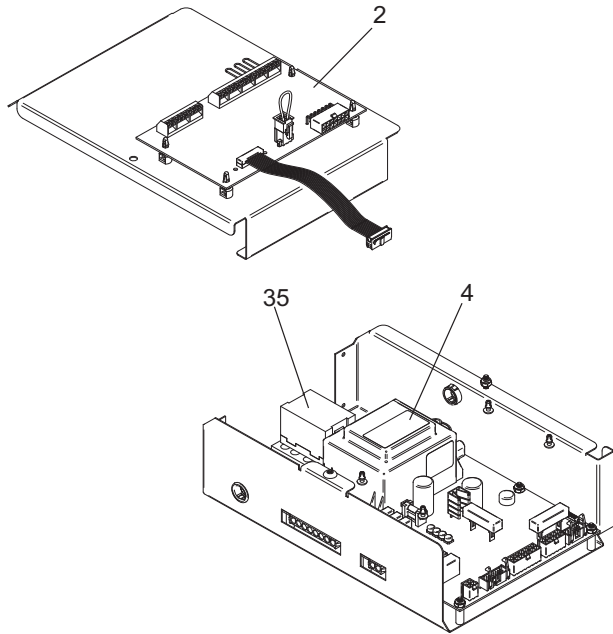
**GAS TRAIN 500  
After H07H10046464**



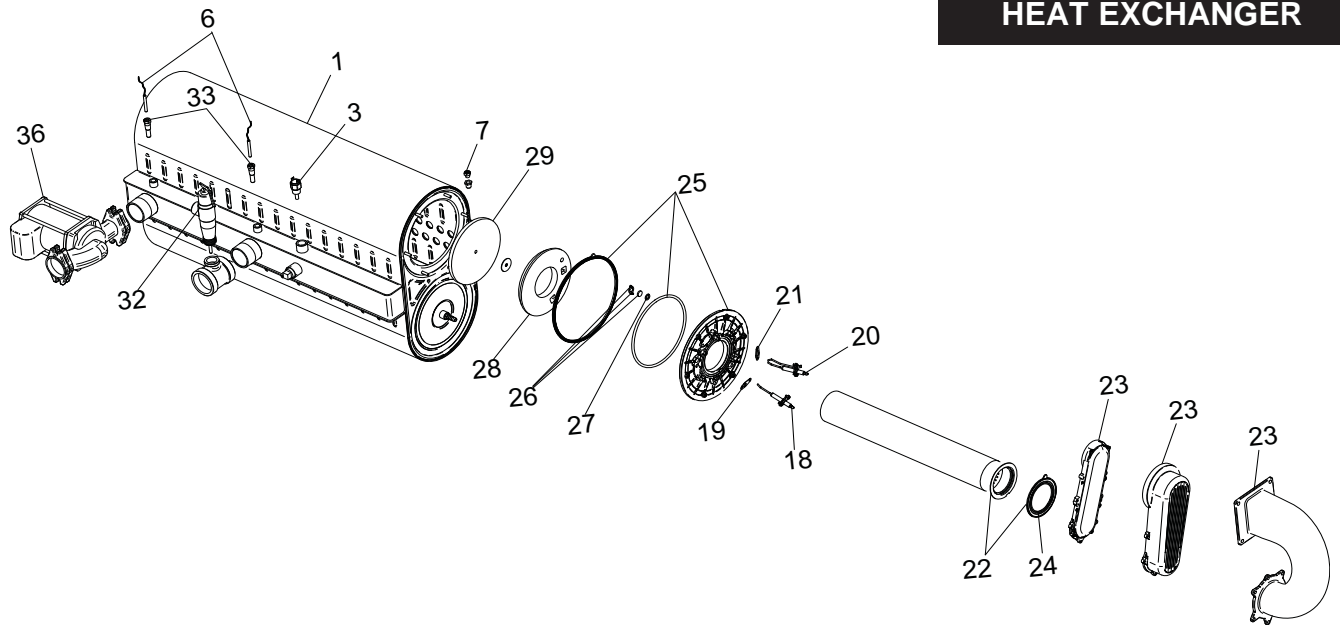
# GAS TRAIN 600-800



# CONTROL PANEL



# HEAT EXCHANGER



ITEM NO.	PART NO.	DESCRIPTION	MODEL
<b>HEAT EXCHANGER ASSEMBLY</b>			
1	HEX3954	HEAT EXCHANGER	AWN150
1	HEX3955	HEAT EXCHANGER	AWN199
1	HEX3956	HEAT EXCHANGER	AWN285
1	HEX3957	HEAT EXCHANGER	AWN399
1	HEX3958	HEAT EXCHANGER	AWN500
1	HEX30004	HEAT EXCHANGER	AWN600
1	HEX30005	HEAT EXCHANGER	AWN700
1	HEX30006	HEAT EXCHANGER	AWN800
<b>CONTROLS</b>			
2	RLY2120	LOW VOLTAGE CONNECTION BOARD	All
3	HLC2510	HIGH LIMIT	All
4	RLY30012	INTEGRATED CONTROL	AWN150-285
4	RLY30014	INTEGRATED CONTROL	AWN399
4	RLY30016	INTEGRATED CONTROL	AWN500
4	RLY30035	INTEGRATED CONTROL	AWN600 - 800
4	RLY30023	HIGH ALTITUDE INTEGRATED CONTROL	AWN150-285
4	RLY30024	HIGH ALTITUDE INTEGRATED CONTROL	AWN399
4	RLY30025	HIGH ALTITUDE INTEGRATED CONTROL	AWN500
4	RLY30036	HIGH ALTITUDE INTEGRATED CONTROL	AWN600 - 800
5	RLY2210	USER INTERFACE CONTROL	All
6	TST2032	WATER TEMP SENSOR	All
7	RLV30000	AIR VENT VALVE	All
8	FAN3031	FAN ASSEMBLY	AWN150
8	FAN3032	FAN ASSEMBLY	AWN199
8	FAN3033	FAN ASSEMBLY	AWN285
8	FAN3035	FAN ASSEMBLY	AWN399
8	FAN3034	FAN ASSEMBLY (BEFORE H07H10046461)	AWN500
8	FAN3037	FAN ASSEMBLY (AFTER H07H10046464)	AWN500
8	FAN30001	FAN ASSEMBLY	AWN600-800
9	GKT2456	GASKET/ BLOWER	AWN199
9	GKT2436	GASKET/ BLOWER	AWN150-285-399
9	GKT2438	GASKET/ BLOWER	AWN500
10	SWT2006	ON/OFF SWITCH	All
<b>GAS VALVES</b>			
11	VAL3201	GAS VALVE ASSEMBLY NAT	AWN150
11	VAL3202	GAS VALVE ASSEMBLY NAT	AWN199
11	VAL3203	GAS VALVE ASSEMBLY NAT	AWN285
11	VAL3204	GAS VALVE ASSEMBLY NAT	AWN399
11	VAL3206	GAS VALVE ASSEMBLY NAT (BEFORE H07H10046461)	AWN500
11	VAL3207	GAS VALVE ASSEMBLY NAT (AFTER H07H10046464)	AWN500
11	VAL3212	GAS VALVE ASSEMBLY NAT	AWN600
11	VAL30006	GAS VALVE ASSEMBLY NAT	AWN700
11	VAL3213	GAS VALVE ASSEMBLY NAT	AWN800
11	VAL30011	GAS VALVE ASSEMBLY LP (AFTER H07H10046464)	AWL500
11	VAL30012	GAS VALVE ASSEMBLY LP	AWL600
11	VAL30013	GAS VALVE ASSEMBLY LP	AWL700
11	VAL30014	GAS VALVE ASSEMBLY LP	AWL800
12	GKT2443	GAS VALVE GASKET	AWN150-285
12	GKT2444	GAS VALVE GASKET	AWN399
12	GKT2050	GAS VALVE GASKET	AWN500-800
13	GKT2080	AIR SHROUD GASKET	AWN500
14	GKT2034	AIR INTAKE GASKET	AWN500-800
15	VAL2206	GAS CUT OFF VALVE	AWN150-199

**PLEASE HAVE MODEL AND SERIAL NUMBER AVAILABLE WHEN ORDERING PARTS**

ITEM NO.	PART NO.	DESCRIPTION	MODEL
<b>GAS VALVES (CONTINUED)</b>			
15	VAL2421	GAS CUT OFF VALVE	AWN285
15	GAC2029	GAS CUT OFF VALVE 1X1 (BEFORE H07H10046461 FOR AWN500)	AWN399-800
16	GAC2028	GAS CUT OFF VALVE 3/4 X 3/4 (AFTER H07H10046464)	AWN500
17	MSC3182	AIR INLET KIT	AWN150
17	MSC3183	AIR INLET KIT	AWN199
17	MSC3184	AIR INLET KIT	AWN285
17	MSC3185	AIR INLET KIT	AWN399
17	MSC3186	AIR INLET KIT (BEFORE H07H10046461 FOR AWN500)	AWN500-800
17	MSC3187	AIR INLET KIT (AFTER H07H10046464)	AWN500
<b>PILOT &amp; BURNER ASSEMBLIES</b>			
18	PLT3022	FLAME SENSOR WITH GASKET	AWN150-500
18	PLT3023	FLAME SENSOR WITH GASKET	AWN600-800
19	GKT2450	FLAME SENSOR GASKET	All
20	PLT3021	IGNITER WITH GASKET	AWN150-500
20	PLT30000	IGNITER WITH GASKET	AWN600-800
21	GKT2449	IGNITER GASKET	All
22	BNR3426	BURNER W/GASKET	AWN150
22	BNR3427	BURNER W/GASKET	AWN199
22	BNR3428	BURNER W/GASKET	AWN285
22	BNR3429	BURNER W/GASKET	AWN399-500
22	BNR3432	BURNER W/ GASKET	AWN600
22	BNR3433	BURNER W/ GASKET	AWN700
22	BNR3434	BURNER W/ GASKET	AWN800
23	WTR3082	GAS/AIR ARM ASSEMBLY W/ GASKET	AWN150
23	WTR3078	GAS/AIR ARM ASSEMBLY W/ GASKET	AWN199-399
23	WTR3079	GAS/AIR ARM ASSEMBLY W/ GASKET	AWN500
23	WTR3085	GAS/AIR ARM ASSEMBLY W/GASKET	AWN600-800
24	GKT2451	BURNER GASKET	AWN150-500
24	GKT2062	BURNER GASKET	AWN600-800
25	WTR3080	HEAT EXCHANGER ACCESS DOOR KIT	AWN150-500
25	WTR3086	HEAT EXCHANGER ACCESS DOOR KIT	AWN600-800
<b>MISCELLANEOUS</b>			
26	MSC3180	SIGHT GLASS	ALL
27	GKT2453	SIGHT GLASS GASKET	ALL
28	FIB2168	INSULATION, BURNER PLATE DOOR	AWN150-500
28	FIB2146	INSULATION, BURNER PLATE DOOR	AWN600-800
29	FIB2167	INSULATION BAFFLE, DIVIDER PLATE	ALL
30	MSC2990	DISPLAY BEZEL	ALL
31	BLT2104	LEVELING LEG	ALL
32	RLV2016	T & P RELIEF 3/4 X 150# (BEGINNING G09H20013638)	AWN150-199
32	RLV2006	T & P RELIEF 3/4 X 150# (PRIOR TO G09H20013638)	AWN150-199
32	RLV2006	T & P RELIEF 3/4 X 150#	AWN285-399
32	RLV2017	T & P RELIEF 3/4 X 150#	AWN500-800
33	TST2044	1/4" BULB WELL	ALL
-	TST2306	3/8" BULB WELL	ALL
-	FUS2000	1.25 AMP	ALL
-	FUS2001	3.15 AMP	ALL
-	FUS2002	5 AMP	ALL
-	WTR2210	FLOW SWITCH	AWN150-199, 399-800
-	WTR2211	FLOW SWITCH	AWN285
34	MSC2971	CONDENSATE TRAP	AWN150-199
34	MSC20063	CONDENSATE TRAP	AWN285-800
35	RLY20038	RELAY, 1.5 HP PUMP	ALL

**PLEASE HAVE MODEL AND SERIAL NUMBER AVAILABLE WHEN ORDERING PARTS**

ITEM NO.	PART NO.	DESCRIPTION	MODEL
<b>MISCELLANEOUS (CONTINUED)</b>			
-	SWT2011	BLOCKED DRAIN SWITCH	ALL
-	GTP2901	GAUGE TRIOMETER, 75# PSI	AWN500-800
-	TST3403	FLUE TEMP SENSOR KIT	ALL
-	KIT3086	AMRHL	ALL
-	KIT30112	ALARM BELL	ALL
-	KIT3087	NEUTRALIZER KIT	AWN150-500
-	KIT3046	NEUTRALIZER KIT	AWN600-800
-	PRS20001	PRESSURE SWITCH	AWN150/285
-	PRS20002	PRESSURE SWITCH	AWN199/399
-	PRS2052	PRESSURE SWITCH	AWN500
-	PRS2054	PRESSURE SWITCH	AWN600-800
-	LPK3946	LP CONVERSION KIT	AWN150
-	LPK3947	LP CONVERSION KIT	AWN199
-	LPK3948	LP CONVERSION KIT	AWN285
-	LPK3949	LP CONVERSION KIT	AWN399
-	LPK3950	LP CONVERSION KIT (AFTER H07H10046464 FOR AWN500)	AWN500-800
-	KIT30063	HEAT EXCHANGER CLEANING KIT	AWN150-399
-	KIT30064	HEAT EXCHANGER CLEANING KIT	AWN500-800
<b>PUMPS</b>			
36	PUM3010	PUMP	AWN150-199
36	PUM3011	PUMP	AWN285
36	PUM3012	PUMP	AWN399
36	PUM30003	PUMP	AWN500-600
36	PUM30004	PUMP	AWN700-800
<b>PLEASE HAVE MODEL AND SERIAL NUMBER AVAILABLE WHEN ORDERING PARTS</b>			

# NOTES

---



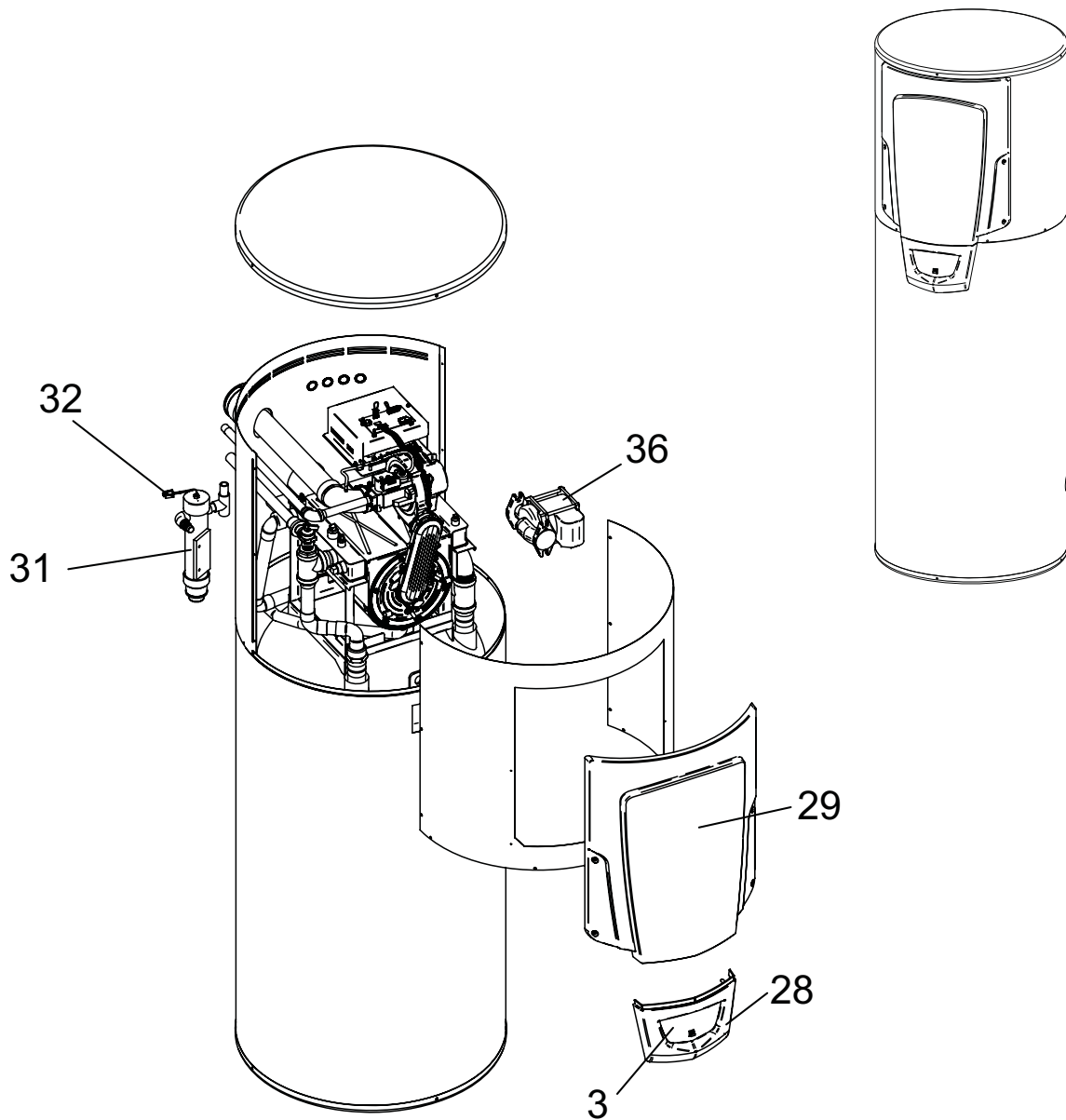




**Replacement Parts List**

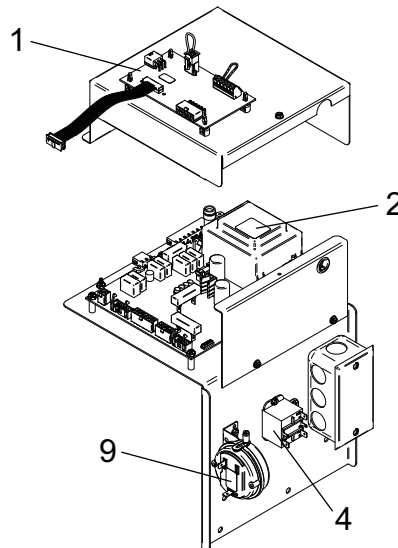
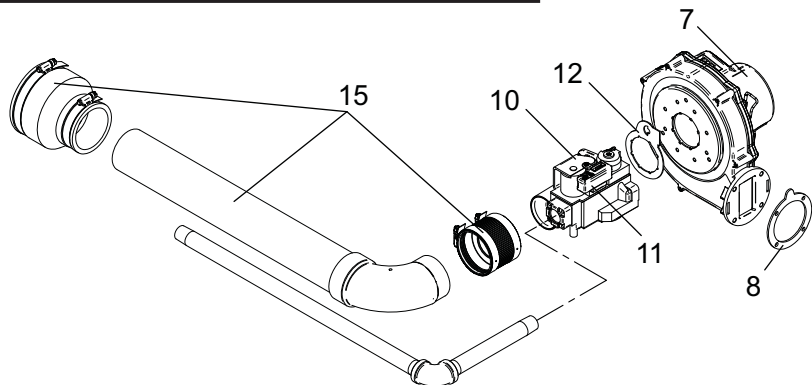
**PARTS & SERVICE DEPARTMENT**  
 Nashville, Tennessee  
 615-889-8900 • Fax: 615-882-2918  
 parts\_team@lochinvar.com  
 www.Lochinvar.com

**SHIELD™**  
 Water Heater  
**SNR150-100, 200-100**  
**SNA285-125, 400-125, 500-125**

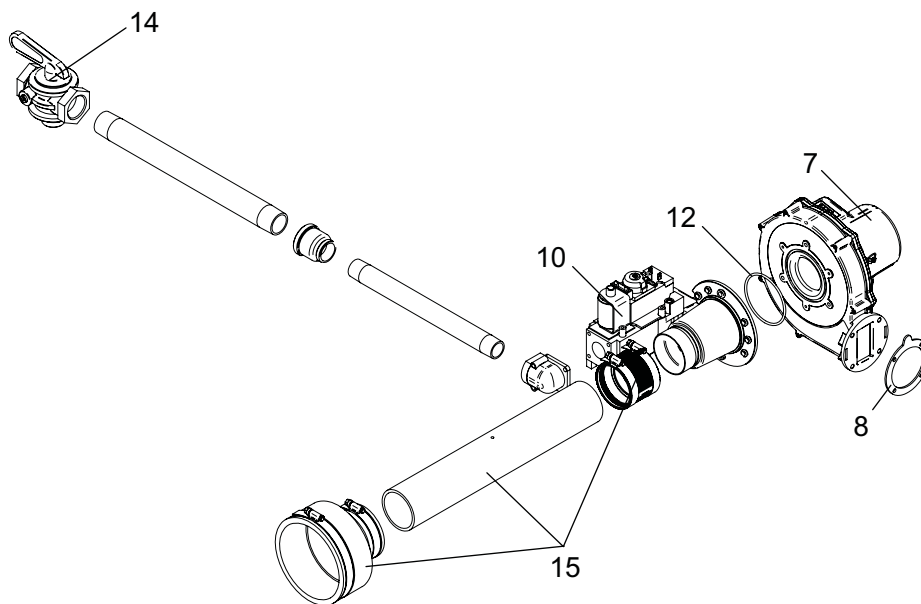


**GAS TRAIN ASSEMBLY  
SNR 150-200  
SNA 285**

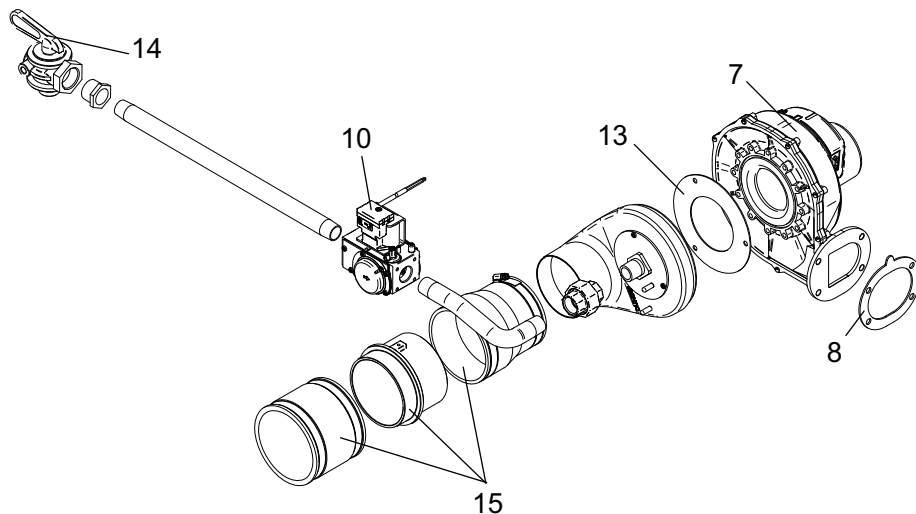
**CONTROL PANEL ASSEMBLY**



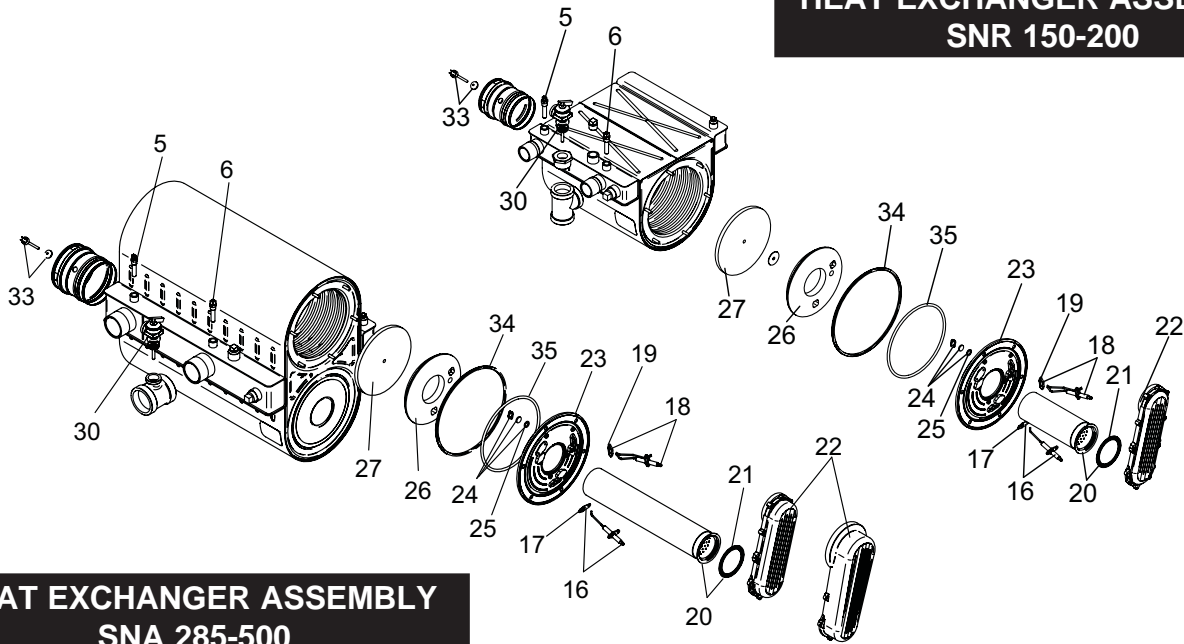
**GAS TRAIN ASSEMBLY  
SNA 400**



**GAS TRAIN ASSEMBLY  
SNA 500**



## HEAT EXCHANGER ASSEMBLY SNR 150-200



## HEAT EXCHANGER ASSEMBLY SNA 285-500

ITEM NO.	PART NO.	DESCRIPTION	MODEL
<b>CONTROLS</b>			
1	RLY20002	CONNECTION BOARD	ALL
2	RLY20001	INTEGRATED CONTROL	SNR150-200, SNA285
2	RLY20004	INTEGRATED CONTROL	SNA400
2	RLY20005	INTEGRATED CONTROL	SNA500
2	RLY30003	HIGH ALTITUDE INTEGRATED CONTROL	SNR150-200, SNA285
2	RLY30004	HIGH ALTITUDE INTEGRATED CONTROL	SNA400
2	RLY30005	HIGH ALTITUDE INTEGRATED CONTROL	SNA500
3	RLY2210	USER INTERFACE CONTROL	ALL
4	RLY2706	PUMP RELAY	ALL
5	TST2060	WATER TEMP SENSOR, INLET	ALL
6	TST2061	OUTLET SENSOR / HIGHT LIMIT	ALL
7	FAN3031	FAN ASSEMBLY	SNR150
7	FAN3032	FAN ASSEMBLY	SNR200
7	FAN3033	FAN ASSEMBLY	SNA285
7	FAN3035	FAN ASSEMBLY	SNA400
7	FAN3037	FAN ASSEMBLY	SNA500
8	GKT2456	GASKET/ BLOWER	SNR200
8	GKT2436	GASKET/ BLOWER	SNR150, SNA285-400
8	GKT2438	GASKET/ BLOWER	SNA500
9	PRS20016	PRESSURE SWITCH	SNR150 & SNA285
9	PRS20017	PRESSURE SWITCH	SNR200 & SNA400
9	PRS2052	PRESSURE SWITCH	SNA500
<b>GAS VALVES</b>			
10	VAL3201	GAS VALVE ASSEMBLY	SNR150
10	VAL3202	GAS VALVE ASSEMBLY	SNR200
10	VAL3203	GAS VALVE ASSEMBLY	SNA285
10	VAL3204	GAS VALVE ASSEMBLY	SNA400
10	VAL3207	GAS VALVE ASSEMBLY	SNA500
11	MSC2233	GAS VALVE ON/OFF SWITCH	SNR150-200, SNA285
12	GKT2443	GAS VALVE GASKET	SNR150-200, SNA285
12	GKT2444	GAS VALVE GASKET	SNA400
13	GKT2080	AIR SHROUD GASKET	SNA500
14	GAC2029	GAS CUT OFF VALVE 1X1	SNA400-500

PLEASE HAVE SERIAL NUMBER AVAILABLE WHEN ORDERING PARTS

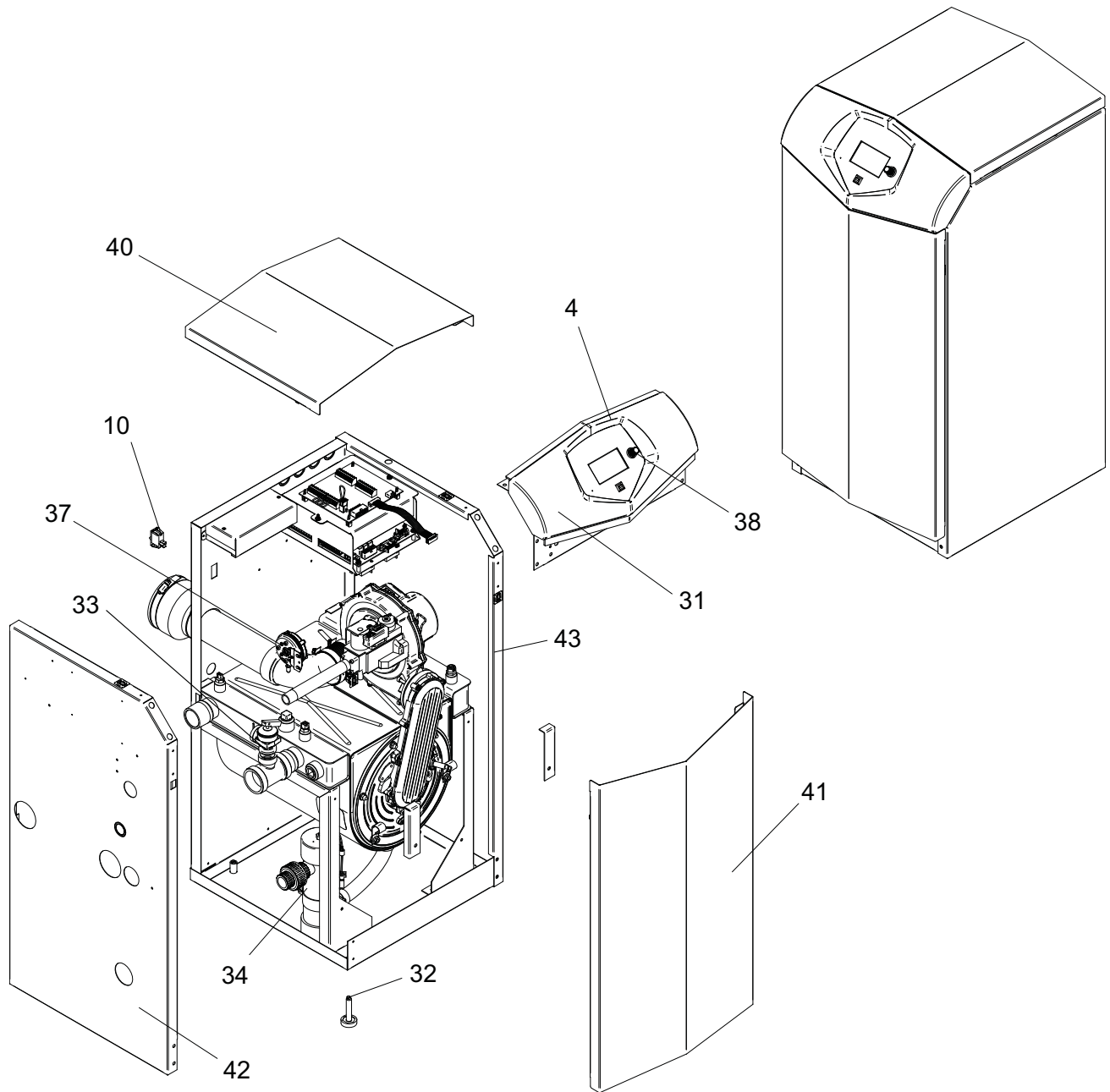
ITEM NO.	PART NO.	DESCRIPTION	MODEL
<b>GAS VALVES (CONTINUED)</b>			
15	MSC30006	AIR INLET KIT	SNR150 & 200
15	MSC30007	AIR INLET KIT	SNA285
15	MSC30008	AIR INLET KIT	SNA400
15	MSC30009	AIR INLET KIT	SNA500
<b>PILOT &amp; BURNER ASSEMBLIES</b>			
16	PLT3022	FLAME SENSOR WITH GASKET	ALL
17	GKT2450	FLAME SENSOR GASKET	ALL
18	PLT3021	IGNITER WITH GASKET	ALL
19	GKT2449	IGNITER GASKET	ALL
20	BNR3426	BURNER W/GASKET	SNR150
20	BNR3427	BURNER W/GASKET	SNR200
20	BNR3428	BURNER W/GASKET	SNA285
20	BNR3429	BURNER W/GASKET	SNA400-500
21	GKT2451	BURNER GASKET	ALL
22	WTR3082	GAS/AIR ARM ASSEMBLY W/ GASKET	SNR150
22	WTR3078	GAS/AIR ARM ASSEMBLY W/ GASKET	SNR200, SNA285-400
22	WTR3079	GAS/AIR ARM ASSEMBLY W/ GASKET	SNA500
23	WTR3080	HEAT EXCHANGER ACCESS DOOR KIT	ALL
<b>MISCELLANEOUS</b>			
24	MSC3180	SIGHT GLASS WITH GASKET	ALL
25	GKT2453	SIGHT GLASS GASKET	ALL
26	FIB2168	INSULATION, BURNER PLATE DOOR	ALL
27	FIB2167	INSULATION BAFFLE, DIVIDER PLATE	ALL
28	MSC20007	DISPLAY BEZEL LOWER	ALL
29	MSC20023	DISPLAY BEZEL UPPER	SNR150-200
29	MSC20037	DISPLAY BEZEL UPPER	SNA285-500
30	RLV1006	T & P RELIEF 3/4 X 150M (AFTER SERIALJ09C20011103)	SNR150-200
30	RLV2006	T & P RELIEF 3/4 X 150M (FOR SNR150-200 BEFORE SERIAL J09C20011103)	SNR150-200 & SNA285-400
30	RLV2017	T & P RELIEF 3/4 X 150M	SNA500
31	MSC20036	CONDENSATE TRAP	ALL
32	SWT2011	BLOCKED DRAIN SWITCH	ALL
33	TST3403	FLUE TEMP SENSOR KIT	ALL
34	GKT2455	GASKET DOOR RUBBER	ALL
35	GKT2452	GASKET DOOR ROPE	ALL
-	TST2044	1/4" BULB WELL	ALL
-	TST2032	TANK SENSOR	ALL
-	FUS2000	1.25 AMP	ALL
-	FUS2001	3.15 AMP	ALL
-	FUS2002	5 AMP	ALL
-	KIT30049	MRLWCO WITH TEST	ALL
-	KIT3087	NEUTRALIZER KIT	ALL
-	WTR2500	ANODE ROD, MAGNESIUM	ALL
-	HLC30000	LIMIT, HEAT EXCHANGER OVER TEMP	SNA285-500
<b>PUMPS</b>			
36	PUM3010	PUMP W/ FLANGES AND HARDWARE	SNR150-200
36	PUM3011	PUMP W/ FLANGES AND HARDWARE	SNA285
36	PUM3012	PUMP W/ FLANGES AND HARDWARE	SNA400
36	PUM30003	PUMP W/ FLANGES AND HARDWARE	SNA500
-	TFL2117	PUMP FLANGE AND HARDWARE KIT USED PRIOR TO C08	SNA285
-	TFL2118	PUMP FLANGE AND HARDWARE KIT USED PRIOR TO C08	SNA400-500
<b>PLEASE HAVE SERIAL NUMBER AVAILABLE WHEN ORDERING PARTS</b>			



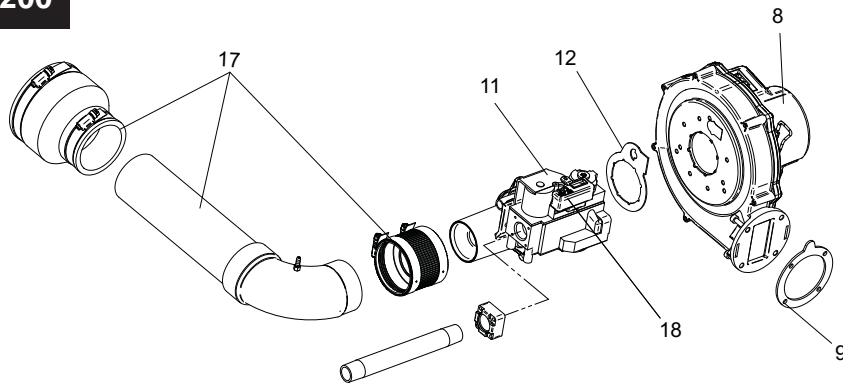
**PARTS & SERVICE DEPARTMENT**  
 Nashville, Tennessee  
 615-889-8900 • Fax: 615-882-2918  
 parts\_team@lochinvar.com  
 www.Lochinvar.com

**Replacement Parts List**

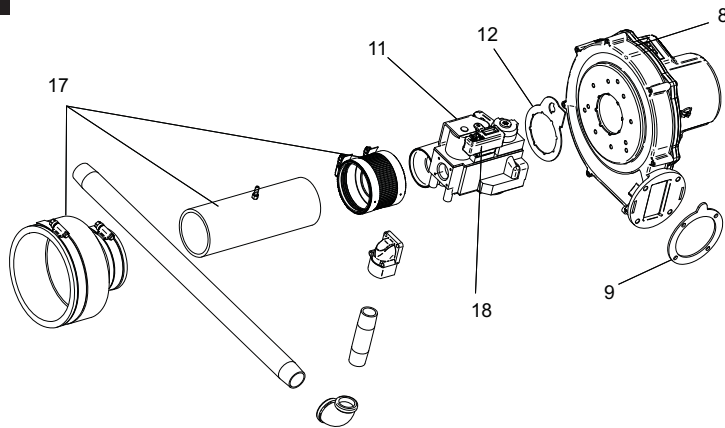
**Armor**  
**Condensing Water Heater**  
**AW 151 thru 801**



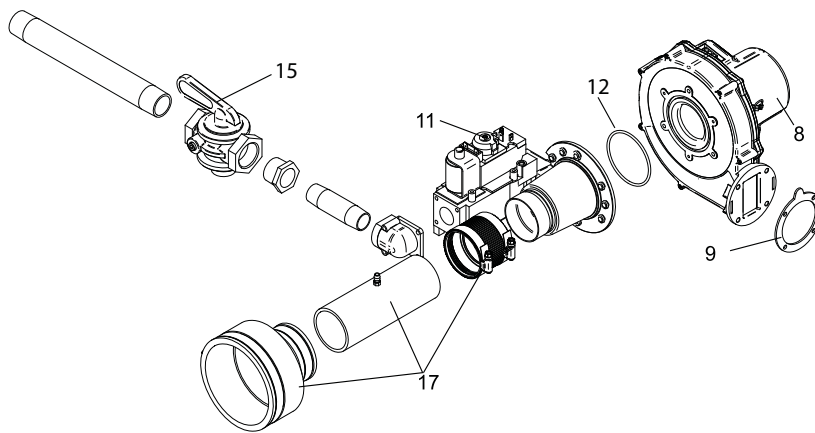
### GAS TRAIN 151-200



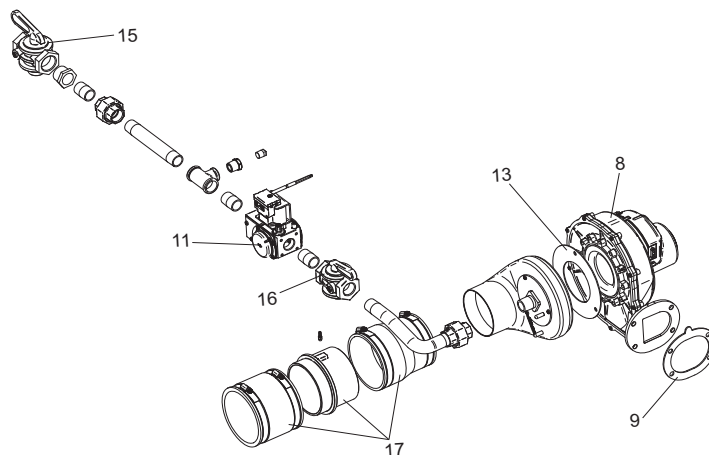
### GAS TRAIN 286



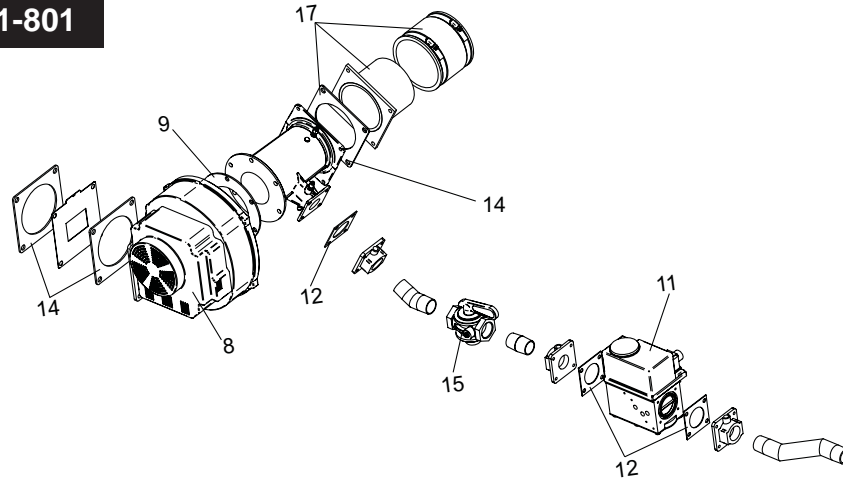
### GAS TRAIN 400



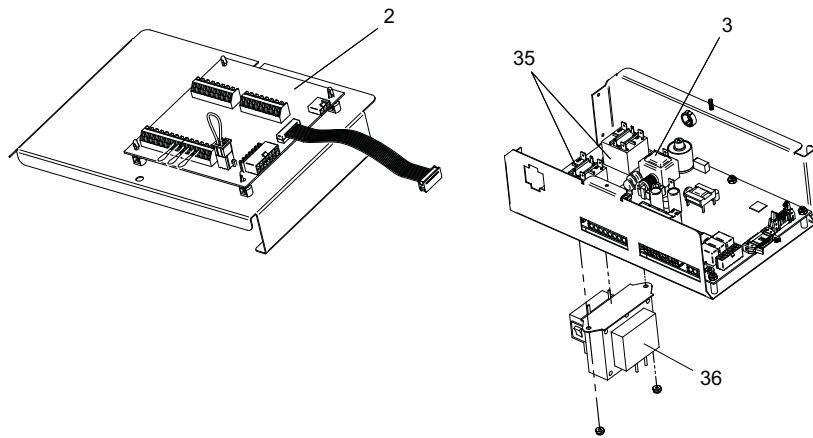
### GAS TRAIN 501



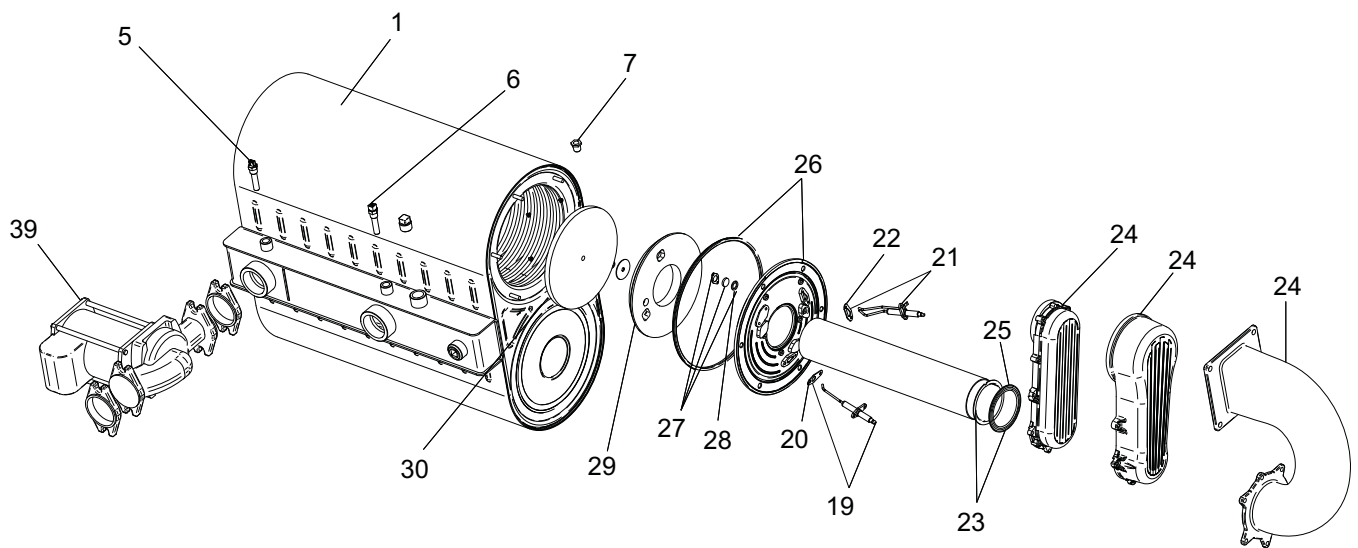
## GAS TRAIN 601-801



## CONTROL PANEL



## HEAT EXCHANGER



ITEM NO.	PART NO.	DESCRIPTION	MODEL
<b>HEAT EXCHANGER ASSEMBLY</b>			
1	HEX3954	HEAT EXCHANGER	AW151
1	HEX3955	HEAT EXCHANGER	AW200
1	HEX3956	HEAT EXCHANGER	AW286
1	HEX3957	HEAT EXCHANGER	AW400
1	HEX3958	HEAT EXCHANGER	AW501
1	HEX30004	HEAT EXCHANGER	AW601
1	HEX30005	HEAT EXCHANGER	AW701
1	HEX30006	HEAT EXCHANGER	AW801
<b>CONTROLS</b>			
2	RLY20063	CONNECTION BOARD	All
3	RLY30047	INTEGRATED CONTROL	AW151-286
3	RLY30048	INTEGRATED CONTROL	AW400
3	RLY30049	INTEGRATED CONTROL	AW501
3	RLY30050	INTEGRATED CONTROL	AW601 - 801
3	RLY30051	HIGH ALTITUDE INTEGRATED CONTROL	AW151-286
3	RLY30052	HIGH ALTITUDE INTEGRATED CONTROL	AW400
3	RLY30053	HIGH ALTITUDE INTEGRATED CONTROL	AW501
3	RLY30054	HIGH ALTITUDE INTEGRATED CONTROL	AW601 - 801
4	RLY20058	USER INTERFACE CONTROL	All
5	TST2060	INLET SENSOR	All
6	TST20009	OUTLET / HIGH LIMIT SENSOR	All
7	RLV30000	AIR VENT VALVE	All
8	FAN3031	FAN ASSEMBLY	AW151
8	FAN3032	FAN ASSEMBLY	AW200
8	FAN3033	FAN ASSEMBLY	AW286
8	FAN3035	FAN ASSEMBLY	AW400
8	FAN3037	FAN ASSEMBLY	AW501
8	FAN30001	FAN ASSEMBLY	AW601-801
9	GKT2456	GASKET / BLOWER	AW200
9	GKT2436	GASKET / BLOWER	AW151,286, 400
9	GKT2438	GASKET / BLOWER	AW501
9	GKT2049	GASKET, VENTURI	AW601 - 801
10	SWT2006	ON / OFF SWITCH	All
<b>GAS VALVES</b>			
11	VAL3201	GAS VALVE ASSEMBLY	AWN151
11	VAL3202	GAS VALVE ASSEMBLY	AWN200
11	VAL3203	GAS VALVE ASSEMBLY	AWN286
11	VAL3204	GAS VALVE ASSEMBLY	AWN400
11	VAL3207	GAS VALVE ASSEMBLY, NAT	AWN501
11	VAL3212	GAS VALVE ASSEMBLY, NAT	AWN601
11	VAL30006	GAS VALVE ASSEMBLY, NAT	AWN701
11	VAL3213	GAS VALVE ASSEMBLY, NAT	AWN801
11	VAL30011	GAS VALVE ASSEMBLY, LP	AWL501
11	VAL30012	GAS VALVE ASSEMBLY, LP	AWL601
11	VAL30013	GAS VALVE ASSEMBLY, LP	AWL701
11	VAL30014	GAS VALVE ASSEMBLY, LP	AWL801
12	GKT2443	GAS VALVE GASKET	AW151-286
12	GKT2444	GAS VALVE GASKET	AW400
12	GKT2050	GAS VALVE GASKET	AW601-801
13	GKT2080	AIR SHROUD GASKET	AW501
14	GKT2034	AIR INTAKE GASKET	AW601-801
15	GAC2029	GAS CUT OFF VALVE 1X1	AW400-801
16	GAC2028	GAS CUT OFF VALVE 3/4 X 3/4	AW501
17	MSC3182	AIR INLET KIT	AW151
17	MSC3183	AIR INLET KIT	AW200
17	MSC3184	AIR INLET KIT	AW286
17	MSC3185	AIR INLET KIT	AW400
17	MSC3186	AIR INLET KIT	AW601-801
17	MSC3187	AIR INLET KIT	AW501
18	MSC2233	GAS VALVE SWITCH	AW151-286

**PLEASE HAVE MODEL AND SERIAL NUMBER WHEN ORDERING PARTS.**



ITEM NO.	PART NO.	DESCRIPTION	MODEL
<b>PILOT &amp; BURNER ASSEMBLIES</b>			
19	PLT3022	FLAME SENSOR WITH GASKET	AW151-501
19	PLT3023	FLAME SENSOR WITH GASKET	AW601-801
20	GKT2450	FLAME SENSOR GASKET	All
21	PLT3021	IGNITER WITH GASKET	AW151-501
21	PLT30000	IGNITER WITH GASKET	AW601-801
22	GKT2449	IGNITER GASKET	All
23	BNR3426	BURNER W/ GASKET	AW151
23	BNR3427	BURNER W/ GASKET	AW200
23	BNR3428	BURNER W/ GASKET	AW286
23	BNR3429	BURNER W/ GASKET	AW400-501
23	BNR3432	BURNER W/ GASKET	AW601
23	BNR3433	BURNER W/ GASKET	AW701
23	BNR3434	BURNER W/ GASKET	AW801
24	WTR3082	GAS/AIR ARM ASSEMBLY W/ GASKET	AW151
24	WTR3078	GAS/AIR ARM ASSEMBLY W/ GASKET	AW200-400
24	WTR3079	GAS/AIR ARM ASSEMBLY W/ GASKET	AW501
24	WTR3085	GAS/AIR ARM ASSEMBLY W/ GASKET	AW601-801
25	GKT2451	GASKET, BURNER	AW151-501
25	GKT2062	GASKET, BURNER	AW601-801
26	WTR3080	HEAT EXCHANGER ACCESS DOOR KIT	AW151-501
26	WTR3086	HEAT EXCHANGER ACCESS DOOR KIT	AW601-801
<b>MISCELLANEOUS</b>			
27	MSC3180	SIGHT GLASS	ALL
28	GKT2453	SIGHT GLASS GASKET	ALL
29	FIB2168	INSULATION, BURNER PLATE DOOR	AW151-501
29	FIB2146	INSULATION, BURNER PLATE DOOR	AW601-801
30	FIB2167	INSULATION BAFFLE, DIVIDER PLATE	ALL
31	MSC2990	DISPLAY BEZEL	ALL
32	BLT2104	LEVELING LEG	ALL
33	RLV2016	T & P RELIEF 1 X 150#	AW151-200
33	RLV2006	T & P RELIEF 3/4 X 150#	AW286-400
33	RLV2017	T & P RELIEF 3/4 X 150#	AW501-801
-	FUS20001	0.8 AMP	ALL
-	FUS2001	3.15 AMP	ALL
-	FUS2002	5 AMP	ALL
-	WTR2210	FLOW SWITCH	AW151-200, 400-801
-	WTR2211	FLOW SWITCH	AW286
34	MSC2971	CONDENSATE TRAP	AW151-200
34	MSC20063	CONDENSATE TRAP	AW286-801
35	RLY2706	RELAY, 1.5 HP PUMP	ALL
-	SWT2011	BLOCKED DRAIN SWITCH	ALL
-	GTP2901	GAUGE TRIOMETER	AW501-801
-	TST30011	FLUE TEMP SENSOR KIT	ALL
-	KIT30112	ALARM BELL	ALL
-	KIT3087	NEUTRALIZER KIT	AW151-501
-	KIT3046	NEUTRALIZER KIT	AW601-801
-	TST30018	SENSOR KIT, TANK	ALL
36	TRF20000	TRANSFORMER	AW151-701
36	TRF20002	TRANSFORMER	AW801
37	PRS20001	PRESSURE SWITCH	AW151, 286
37	PRS20002	PRESSURE SWITCH	AW200, 400
37	PRS20020	PRESSURE SWITCH	AW501
37	PRS20019	PRESSURE SWITCH	AW601-801
38	MSC20123	FLUTED KNOB W / SKIRT	ALL
-	LPK3946	LP CONVERSION KIT	AW151
-	LPK3947	LP CONVERSION KIT	AW200
-	LPK3948	LP CONVERSION KIT	AW286
-	LPK3949	LP CONVERSION KIT	AW400
-	LPK3950	LP CONVERSION KIT	AW501-801
-	HLC30000	LIMIT, HEAT EXCHANGER OVER TEMP	AW286-801

**PLEASE HAVE MODEL AND SERIAL NUMBER WHEN ORDERING PARTS.**

ITEM NO.	PART NO.	DESCRIPTION	MODEL
<b>PUMPS</b>			
39	PUM3010	PUMP	AW151-200
39	PUM3011	PUMP	AW286
39	PUM3012	PUMP	AW400
39	PUM30003	PUMP	AW501-601
39	PUM30004	PUMP	AW701-801
<b>JACKET ASSEMBLY</b>			
40	JKB30004	JACKET, TOP	AW151
40	JKB30007	JACKET, TOP	AW200
40	JKB30008	JACKET, TOP	AW286
40	JKB30009	JACKET, TOP	AW400
40	JKB30010	JACKET, TOP	AW501
40	JKB30011	JACKET, TOP	AW601
40	JKB30012	JACKET, TOP	AW701
40	JKB30013	JACKET, TOP	AW801
41	JKB30003	JACKET, FRONT	AW151-200
41	JKB40041	JACKET, FRONT	AW286-501
41	JKB30006	JACKET, FRONT	AW601-801
42	JKB40097	JACKET, LEFT SIDE	AW151
42	JKB40098	JACKET, LEFT SIDE	AW200
42	JKB40099	JACKET, LEFT SIDE	AW286
42	JKB40102	JACKET, LEFT SIDE	AW400
42	JKB40084	JACKET, LEFT SIDE	AW501
42	JKB40085	JACKET, LEFT SIDE	AW601
42	JKB40086	JACKET, LEFT SIDE	AW701
42	JKB40087	JACKET, LEFT SIDE	AW801
43	JKB6085	JACKET, RIGHT SIDE	AW151
43	JKB6086	JACKET, RIGHT SIDE	AW200
43	JKB6087	JACKET, RIGHT SIDE	AW286
43	JKB6088	JACKET, RIGHT SIDE	AW400
43	JKB60236	JACKET, RIGHT SIDE	AW501
43	JKB60106	JACKET, RIGHT SIDE	AW601
43	JKB60118	JACKET, RIGHT SIDE	AW701
43	JKB60122	JACKET, RIGHT SIDE	AW801
<b>PLEASE HAVE MODEL AND SERIAL NUMBER WHEN ORDERING PARTS.</b>			

# NOTES

