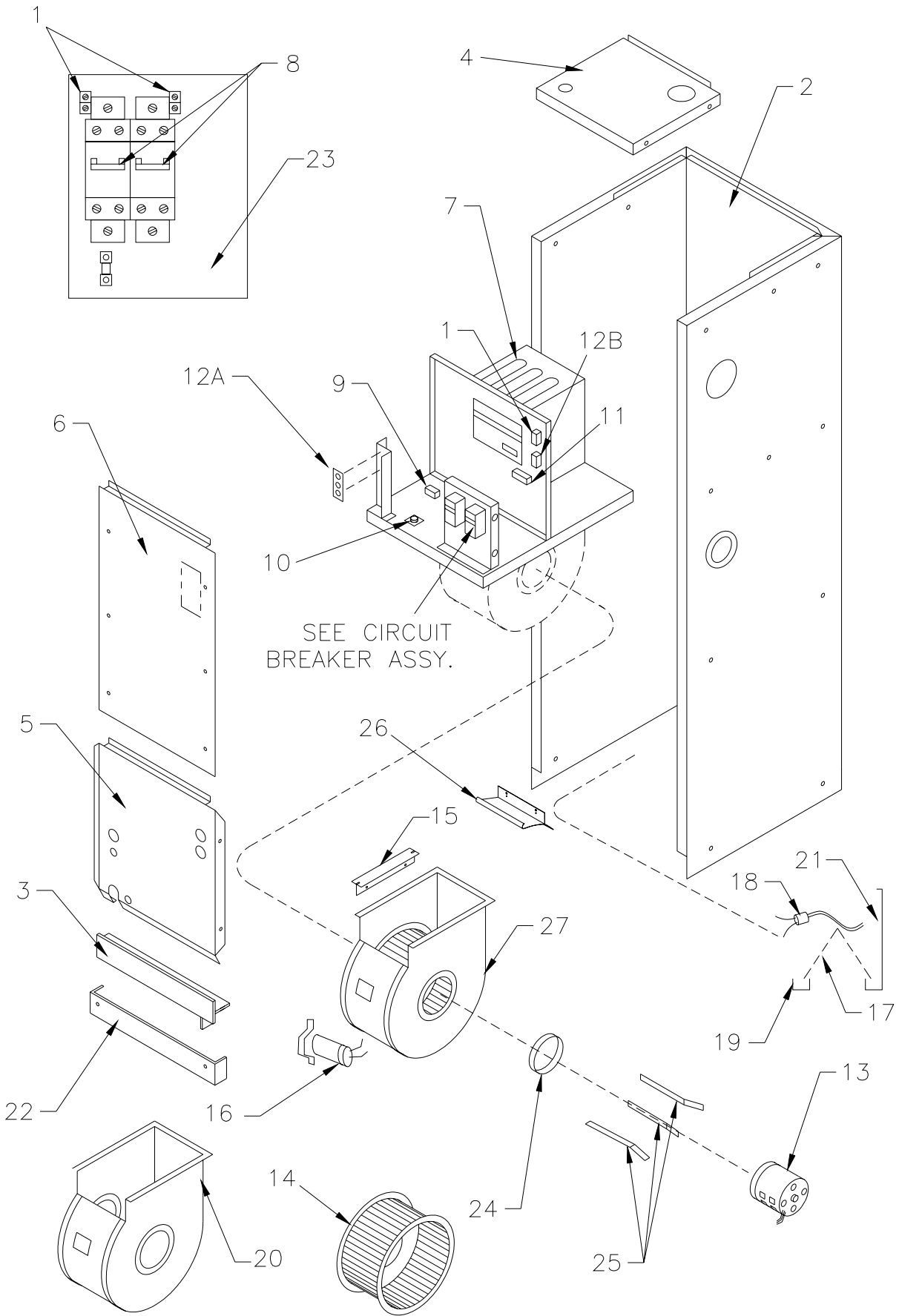


REPAIR PARTS

MODEL: A SERIES
AIR HANDLER W/COIL



REPLACEMENT PARTS LIST

UNIT: INDOOR AIR HANDLER ELECTRIC/HEAT/COOL & COOL ONLY

MODEL: 1 1/2 - 2 1/2 TON

SERIES: A (SMALL CHASSIS)

#	PART #	DESCRIPTION	QTY. PER UNIT																			
			A 1 8 - 0 5	A 1 8 - 0 5	A 1 8 - 0 5	A 1 8 - 0 5	A 1 8 - 0 5	A 1 8 - 0 5	A 1 8 - 0 5	A 1 8 - 0 5	A 1 8 - 0 5	A 1 8 - 0 5	A 1 8 - 0 5	A 1 8 - 0 5	A 1 8 - 0 5	A 1 8 - 0 5	A 1 8 - 0 5	A 1 8 - 0 5	A 1 8 - 0 5	A 1 8 - 0 5		
1	B1378533	LUG, GROUND	1	1	1	1	1	1	1	1	1	1	1	1	1	1	1	1	1	1	1	
2	1721115	WRAPPER, CABINET	1	1	1	1	1	1	1	1	1	1	1	1	1	1	1	1	1	1	1	
3	1721912	CHANNEL, BOTTOM TIE	1	1	1	1	1	1	1	1	1	1	1	1	1	1	1	1	1	1	1	
4	1721907	PLATE, UPPER TIE	1	1	1	1	1	1	1	1	1	1	1	1	1	1	1	1	1	1	1	
5	1722055P	PANEL, LOWER ACCESS	1	1	1	1	1	1	1	1	1	1	1	1	1	1	1	1	1	1	1	
6	1722005P 1722022P 1722024P	PANEL, UPPER ACCESS PANEL, UPPER ACCESS PANEL, UPPER ACCESS	1		1	1	1		1		1		1		1		1		1		1	
7	*B1037480 *B1037485 *B1037487 *B1037488 *B1037489	HEATER, W/LIMIT SWITCH 3.0KW 230 V HEATER, W/LIMIT SWITCH 5.0KW 230 V HEATER, W/LIMIT SWITCH 7.5KW 230 V HEATER, W/LIMIT SWITCH 10KW 230 V HEATER, W/LIMIT SWITCH 15KW 230 V	1	1			1	1						1	1					1	1	
8	*B1753510 *B1753511 *B1753517	BREAKER, 30 AMP BREAKER, 60 AMP BREAKER, 40 AMP	1					1					1				1				1	
9	*B1256551 *B1256552 *B1256553	SEQ. THERM-O-DISC#309561 T.I. #51172-20-20 SEQ. THERM-O-DISC#309562 T.I. #51172-30-10 SEQ. THERM-O-DISC#309563 T.I. #51172-32-8	1	1			1	1					1						1	1	1	
10	B1370738	RELAY, TIME DELAY 24 VOLT COIL, TEXAS INSTRUMENTS #60000CO-27	1	1	1	1	1	1	1	1	1	1	1	1	1	1	1	1	1	1	1	
11	B1141643	TRANSFORMER, 45VA, 208/230 VOLT PRI., 24 VOLT SEC.	1	1	1	1	1	1	1	1	1	1	1	1	1	1	1	1	1	1	1	
12A B	*B1368248 B1368250	BLOCK, TERMINAL (LOW VOLTAGE) BLOCK, TERMINAL (HIGH VOLTAGE)	1		1	1	1		1		1		1		1		1		1		1	
13	B13400313 B13400312	MOTOR, DIRECT DRIVE, 1/5 HP 2-SPEED, 208/230-60-1, PSC FLEX-MOUNT, 1075 RPM, G.E. #5KCP39GGP874S MOTOR, DIRECT DRIVE, 1/3 HP 2-SPEED, 208/230-60-1, PSC FLEX-MOUNT, 1075 RPM, G.E. #5KCP39GGP993AS A.O. SMITH #F48A95A76	1	1	1	1	1	1	1	1	1											
14	B1368035 B1368042	WHEEL, BLOWER (5.75x8) WHEEL, BLOWER (9x6)	1	1	1	1		1	1	1	1	1	1	1	1	1	1	1	1	1	1	
15	**1717107	ANGLE, BLOWER MOUNTING	2	2	2	2	2	2	2	2	2	2	2	2	2	2	2	2	2	2	2	
16	B945650 B945651	CAPACITOR, RUN, 5 MFD, 370 VAC CAPACITOR, RUN, 7.5 MRD, 370 VAC	1	1	1	1	1	1	1	1	1	1	1	1	1	1	1	1	1	1	1	
17	*P1400A18L *P1400A24L *P1400A30L *P1400A32L	SERVICE COIL ASSEMBLY COMPLETE SERVICE COIL ASSEMBLY COMPLETE SERVICE COIL ASSEMBLY COMPLETE SERVICE COIL ASSEMBLY COMPLETE	1	1	1	1			1	1	1	1	1									
18	B1314452 B1314459 B1313668	FLOWRATOR W/ COPPER STUB ASM. FLOWRATER W/ COPPER STUB ASM. FLOWRATER W/ COPPER STUB ASM.	1	1	1	1			1	1	1	1	1									

*THESE PARTS NOT USED ON COOL ONLY UNITS-00 MODELS.

**ORDER 17171-04 BLOWER MOUNTING ANGLE FOR UNITS BUILT BEFORE SEPTEMBER 1999

*EFFECTIVE APRIL 1998: WHEN ORDERING SERVICE COIL PAN ASSEMBLY P1400A18L, P1400A24L, P1400A30L, OR P1400A32L, AND ORDER THE LOWER ACCESS PANEL FOR THE APPROPRIATE UNIT.

REPLACEMENT PARTS LIST

UNIT: INDOOR AIR HANDLER ELECTRIC/HEAT/COOL & COOL ONLY

MODEL: 1 1/2 - 2 1/2 TON

SERIES: A (SMALL CHASSIS)

#	PART #	DESCRIPTION	QTY. PER UNIT																			
			A	A	A	A	A	A	A	A	A	A	A	A	A	A	A	A	A	A	A	A
			1	1	1	1	2	2	2	2	2	2	3	3	3	3	3	3	3	3	3	
			8	8	8	8	4	4	4	4	4	4	0	0	0	0	0	0	0	0	0	
			-	-	-	-	-	-	-	-	-	-	-	-	-	-	-	-	-	-	-	
			0	0	0	1	0	0	0	0	1	1	0	0	0	1	1	1	0	0	0	
			5	5	8	0	5	5	8	8	0	0	5	8	8	0	0	5	3	5	3	
19	B1755913L	PAN, EVAPORATOR PLASTIC (SM)	1	1	1	1	1	1	1	1	1	1	1	1	1	1	1	1	1	1	1	
20	2939300	9X6 S/W BLOWER SHELL ASM.	1	1	1	1	1	1	1	1	1	1	1	1	1	1	1	1	1	1	1	
21	B1755929L	DRAIN PAN ASSEMBLY	1	1	1	1	1	1	1	1	1	1	1	1	1	1	1	1	1	1	1	
22	1722040	FILTER COVER A/H SMALL	1	1	1	1	1	1	1	1	1	1	1	1	1	1	1	1	1	1	1	
23	1495206	CIRCUIT BREAKER PLATE		1			1	1	1	1	1	1			1		1			1	1	
24 AND 25 ARE NOT APPLICABLE IN THIS SIZE OF AIR HANDLER																						
26	764733	BLOWER CUT-OFF	1	1	1	1	1	1	1	1	1	1	1	1	1	1	1	1	1	1	1	

UNIT: INDOOR AIR HANDLER ELECTRIC/HEAT/COOL & COOL ONLY

MODEL: 3 - 3 1/2 TON

SERIES: A (MEDIUM CHASSIS)

#	PART #	DESCRIPTION	QTY. PER UNIT																	
			A	A	A	A	A	A	A	A	A	A	A	A	A	A	A			
			3	3	3	3	3	3	3	3	3	3	3	4	4	4	4	4	4	4
			6	6	6	6	6	6	6	6	6	6	6	2	2	2	2	2	2	2
			-	-	-	-	-	-	-	-	-	-	-	-	-	-	-	-	-	-
			0	0	0	0	0	0	0	1	1	1	2	0	1	1	1	1	1	2
			5	5	6	8	8	8	0	0	0	5	0	8	0	0	5	0	5	0
					C		C			C		C		C		C		C		
1	B1378533	LUG, GROUND	1	1	1	1	1	1	1	1	1	2	2	1	1	1	2	2	2	2
2	1721116	WRAPPER, CABINET	1	1	1	1	1	1	1	1	1	1	1	1	1	1	1	1	1	1
3	1721913	CHANNEL, BOTTOM TIE	1	1	1	1	1	1	1	1	1	1	1	1	1	1	1	1	1	1
4	1721908	PLATE, UPPER TIE	1	1	1	1	1	1	1	1	1	1	1	1	1	1	1	1	1	1
5	1722056P	PANEL, LOWER ACCESS	1	1	1	1	1	1	1	1	1	1	1	1	1	1	1	1	1	1
6	1722006P	PANEL, UPPER ACCESS	1		1	1			1					1						
	1722021P	PANEL, UPPER ACCESS									1	1								1
	1722034P	PANEL, UPPER ACCESS		1				1		1			1		1					1
7	*B1037485	HEATER, W/LIMIT SWITCH 5.0KW 230 V	1	1									1							1
	*B1037486	HEATER, W/LIMIT SWITCH 6.0KW 230 V			1															
	*B1037487	HEATER, W/LIMIT SWITCH 7.5KW 230 V				1	1						1							
	*B1037488	HEATER, W/LIMIT SWITCH 10KW 230 V							1	1				1	1					
	*B1037489	HEATER, W/LIMIT SWITCH 15KW 230 V									1	1						1	1	
8	*B1753510	BREAKER, 30 AMP		1							1								1	1
	*B1753511	BREAKER, 60 AMP								1		2				1			1	1
	*B1753517	BREAKER, 40 AMP						1					1							1
9	*B1256551	SEQ. THERM-O-DISC#309561 T.I. #51172-20-20	1	1																
	*B1256552	SEQ. THERM-O-DISC#309562 T.I. #51172-30-10			1	1	1	1	1	1				1	1	1				
	*B1256553	SEQ. THERM-O-DISC#309563 T.I. #51172-32-8										1						1		
	*B1256554	SEQ. THERM-O-DISC#309564 T.I. #51172-33-7											1							1
10	B1370738	RELAY, TIME DELAY, 24 VOLT COIL TEXAS INSTRUMENTS #60000CO-27	1	1	1	1	1	1	1	1	1	1	1	1	1	1	1	1	1	1
11	B1141643	TRANSFORMER, 45VA, 208/230 VOLT PRI., 24 VOLT SEC.	1	1	1	1	1	1	1	1	1	1	1	1	1	1	1	1	1	1
12A	*B1368248	BLOCK, TERMINAL (LOW VOLTAGE)										1	1						1	1
B	B1368250	BLOCK, TERMINAL (HIGH VOLTAGE)	1			1	1			1										

*THESE PARTS NOT USED ON COOL ONLY UNITS-00 MODELS

REPLACEMENT PARTS LIST

UNIT: INDOOR AIR HANDLER ELECTRIC/HEAT/COOL & COOL ONLY

MODEL: 3 - 3 1/2 TON

SERIES: A (MEDIUM CHASSIS)

#	PART #	DESCRIPTION	QTY. PER UNIT													
			A	A	A	A	A	A	A	A	A	A	A	A	A	A
			3	3	3	3	3	3	3	3	3	3	3	3	3	
			6	6	6	6	6	6	6	6	6	6	6	6	6	
			-	-	-	-	-	-	-	-	-	-	-	-	-	
			0	0	0	0	0	1	1	1	2	0	1	1	1	
			5	5	6	8	8	0	0	5	0	8	0	0	5	
				C			C					C				
13	B13400353	MOTOR, DIRECT DRIVE, 1/2 HP 2-SPEED, 208/230-60-1, PSC FLEX-MOUNT, 1075 RPM, G.E. #5KCP39KGR696S										1	1	1	1	
	B13400312	MOTOR, DIRECT DRIVE, 1/3 HP 2-SPEED, 208/230-60-1, PSC FLEX-MOUNT, 1075 RPM, G.E. #5KCP39GGP993AS (TYPE PSC) A.O. SMITH #F48A95A76 (TYPE FLL)	1	1	1	1	1	1	1	1	1					
14	B1368036	WHEEL BLOWER (9x6)	1	1	1	1	1	1	1	1	1	1	1	1	1	
15	**1717107	ANGLE, BLOWER MOUNTING	2	2	2	2	2	2	2	2	2	2	2	2	2	
16	B945651	CAPACITOR, RUN, 7.5 MFD, 370 VAC	1	1	1	1	1	1	1	1	1					
	B945672	CAPACITOR, RUN, 12.5 MFD, 370 VAC										1	1	1	1	
17	*P1400U36H	SERVICE COIL PAN ASSEMBLY	1	1	1	1	1	1	1	1	1					
	*P1400U42H	SERVICE COIL PAN ASSEMBLY										1	1	1	1	
18	B1314471	FLOWRATER DIST. ASSEMBLY	1	1	1	1	1	1	1	1	1					
	B1313680	FLOWRATER DIST. ASSEMBLY										1	1	1	1	
19	B1755917H	PAN, EVAPORATOR PLASTIC (MED.)	1	1	1	1	1	1	1	1	1	1	1	1	1	
20	1839304	BLOWER SHELL ASSEMBLY	1	1	1	1	1	1	1	1	1	1	1	1	1	
21	B1755930L	HORIZ. DRAIN PAN ASSEMBLY	1	1	1	1	1	1	1	1	1	1	1	1	1	
22	1722041	FILTER COVER A/H MEDIUM	1	1	1	1	1	1	1	1	1	1	1	1	1	
23	1495206	CIRCUIT BREAKER PLATE		1		1	1	1	1	1	1	1	1	1	1	

24 AND 25 ARE NOT APPLICABLE IN THIS SIZE OF AIR HANDLER

26	764734	BLOWER CUT-OFF	1	1	1	1	1	1	1	1	1	1	1	1	1
----	--------	----------------	---	---	---	---	---	---	---	---	---	---	---	---	---

NOTE B: ORDER B13680-42 BLOWER WHEEL FOR A/EF36 UNITS BUILT BEFORE DECEMBER 1987 (8712) SERIAL DATE CODE.

*ORDER 1585426-36NS SERVICE COIL FOR A/EF36 (UPFLOW ONLY) PRODUCED BEFORE DECEMBER 1987 (8712) SERIAL DATE CODE.

*EFFECTIVE APRIL 1998: WHEN ORDERING SERVICE COIL PAN ASSEMBLY P1400A36L OR P1400A42L, YOU MUST ALSO ORDER THE LOWER ACCESS PANEL FOR THE APPROPRIATE UNIT.

**ORDER 17171-04 BLOWER MOUNTING ANGLE FOR UNITS BUILT BEFORE SEPTEMBER 1999.

UNIT: INDOOR AIR HANDLER ELECTRIC/HEAT/COOL & COOL ONLY

MODEL: 4 - 5 TON

SERIES: A (LARGE CHASSIS)

#	PART #	DESCRIPTION	QTY. PER UNIT													
			A	A	A	A	A	A	A	A	A	A	A	A	A	
			4	4	4	4	4	4	4	4	6	6	6	6	6	
			8	8	8	9	9	9	9	9	0	0	0	1	1	
			-	-	-	-	-	-	-	-	-	-	-	-	-	
			1	1	2	0	0	1	1	2	1	1	2	1	1	
			0	5	0	8	8	0	5	0	0	5	0	0	5	
							C									
1	B1378533	LUG, GROUND	1	2	2	1	1	1	2	2	1	2	2	1	2	
2	1721117	WRAPPER, CABINET	1	1	1	1	1	1	1	1	1	1	1	1	1	
3	1721914	CHANNEL, BOTTOM TIE	1	1	1	1	1	1	1	1	1	1	1	1	1	
4	1721909	PLATE, UPPER TIE	1	1	1	1	1	1	1	1	1	1	1	1	1	
5	1722057P	PANEL, LOWER ACCESS	1	1	1	1	1	1	1	1	1	1	1	1	1	
6	1722023P	PANEL, UPPER ACCESS				1										
	1722037P	PANEL, UPPER ACCESS	1				1	1			1			1		
	1722038P	PANEL, UPPER ACCESS		1	1				1	1		1	1		1	
7	*B1037485	HEATER, W/LIMIT SWITCH 5.0KW 230 V			1					1			1		1	
	*B1037487	HEATER, W/LIMIT SWITCH 7.5 KW 230 V				1	1									
	*B1037488	HEATER, W/LIMIT SWITCH 10 KW 230 V	1					1			1			1		
	*B1037489	HEATER, W/LIMIT SWITCH 15 KW 230 V		1	1				1	1		1	1		1	
8	*B1753510	BREAKER, 30 AMP (ITE)		1		1			1	1		1		1	1	
	*B1753511	BREAKER, 60 AMP (ITE)	1	1	2			1	1	2	1	1	2	1	1	
	*B1753517	BREAKER, 40 AMP (ITE)					1								2	

*THESE PARTS NOT USED ON COOL ONLY UNITS-00 MODELS

NOTE: PANEL, UPPER ACCESS ON A48-00 & A49-00 IS 17220-23P.

REPLACEMENT PARTS LIST

UNIT: INDOOR AIR HANDLER ELECTRIC/HEAT/COOL & COOL ONLY

MODEL: 4 - 5 TON

SERIES: A (LARGE CHASSIS)

#	PART #	DESCRIPTION	QTY. PER UNIT													
			A 4 8 -1 0	A 4 8 -1 5	A 4 8 -2 0	A 4 9 -0 8	A 4 9 -0 C	A 4 9 -1 0	A 4 9 -1 5	A 4 9 -2 0	A 6 0 -1 0	A 6 0 -1 5	A 6 0 -2 0	A 6 1 -1 0	A 6 1 -1 5	A 6 1 -2 0
9	*B1256552	SEQUENCER THERM-O-DISC#309562 TEXAS INSTRUMENTS #51172-30-10	1			1	1	1			1			1		
	*B1256553	SEQUENCER THERM-O-DISC#309563 TEXAS INSTRUMENTS #51172-32-8		1					1				1		1	
	*B1256554	SEQUENCER THERM-O-DISC#309564 TEXAS INSTRUMENTS #51172-33-7			1					1			1			1
10	B1370738	RELAY, TIME DELAY 24 VOLT COIL, TEXAS INSTRUMENTS #60000CO-27	1	1	1	1	1	1	1	1	1	1	1	1	1	1
11	B1141643	TRANSFORMER, 43VA, 208/230 VOLT PRI., 24 VOLT SEC.	1	1	1	1	1	1	1	1	1	1	1	1	1	1
12A B	*B1368248 B1368250	BLOCK, TERMINAL (LOW VOLTAGE) BLOCK, TERMINAL (HIGH VOLTAGE)		1	1		1			1	1		1	1		1
13	B13400353 B13400206S	MOTOR, DIRECT DRIVE, 1/2 HP 2-SPEED, 208/230-60-1, PSC, FLEX-MOUNT, 1075 RPM, G.E. #5KCP39KGR696S OR 5KCP39KGR696S MOTOR, DIRECT DRIVE, 3/4 HP 2-SPEED, 208/230-60-1, PSC, FLEX-MOUNT, 1075 RPM, G.E. #5KCP39LFR300-S	1	1	1	1	1	1	1	1						
14	B1368036 (NOTE B)	WHEEL BLOWER (9x8)	1	1	1	1	1	1	1	1						
15	**1717107 ◊1717108	ANGLE, BLOWER MOUNTING ANGLE, BLOWER MOUNTING	2	2	2	2	2	2	2	2	2	2	2	2	2	2
16	B945653 B945672	CAPACITOR, RUN, 15 MFD, 370 VAC CAPACITOR, RUN, 12.5 MFD, 370 VAC	1	1	1	1	1	1	1	1	1	1	1	1	1	1
17	•P1400A48L •P1400A60L •P1400A49L •P1400A61L	SERVICE COIL ASSEMBLY COMPLETE SERVICE COIL ASSEMBLY COMPLETE SERVICE COIL ASSEMBLY COMPLETE SERVICE COIL ASSEMBLY COMPLETE	1	1	1							1	1	1		
18	B1313682 B1313690 B1313893	FLOWRATER DIST. ASSEMBLY FLOWRATER DIST. ASSEMBLY FLOWRATER DIST. ASSEMBLY	1	1	1	1	1	1	1	1	1	1	1			1
19	B1755920H	PAN, EVAPORATOR PLASTIC (LRG.)	1	1	1	1	1	1	1	1	1	1	1	1	1	1
20	2539301	10X6 BLOWER SHELL ASSEMBLY	1	1	1	1	1	1	1	1						
21	B1755931L	HORIZ. DRAIN PAN ASSY.	1	1	1	1	1	1	1	1	1	1	1	1	1	1
22	1722042	FILTER COVER A/H LARGE	1	1	1	1	1	1	1	1	1	1	1	1	1	1
23	1495206	CIRCUIT BREAKER PLATE	1	1	1			1	1	1	1	1	1	1	1	1
24	◆B1376851	BAND, MOTOR MOUNTING											1	1	1	1
25	◆B1376853	ARM, MOTOR MOUNTING											3	3	3	3
26	764736 1864700	BLOWER CUT-OFF BLOWER CUT-OFF	1	1	1	1	1	1	1	1			1	1	1	1
27	7682173	BLOWER SHELL \ WHEEL ASM.											1	1	1	1

NOTE B: ORDER B13680-42 BLOWER WHEEL FOR A/EF36 UNITS BUILT BEFORE DECEMBER 1987 (8712) SERIAL DATE CODE.

*THESE PARTS NOT USED ON COOL ONLY UNITS-00 MODELS

**ORDER 17171-04 BLOWER MOUNTING ANGLE FOR UNITS BUILT BEFORE SEPTEMBER 1999.

◆USED ONLY ON UNITS BUILT BEFORE MAY 1988 (8805) SERIAL DATE CODE & LATER, 17171-04 USED BEFORE MAY 1988,

◊17171-04 USED BEFORE MAY 1988, 17171-05 USED BEFORE SEPTEMBER 1999.

●EFFECTIVE APRIL 1998: WHEN ORDERING SERVICE COIL PAN ASSEMBLY P1400A48L, P1499A60L, P1400A49L, OR P1400A61L YOU MUST ORDER THE LOWER ACCESS PANEL FOR THE APPROPRIATE UNIT.