

Model NR98(GQ-2857WX US) Series Residential Tankless Water Heater Specification Sheet

- **Standard Input** - Gas consumption ranges from 12,000 BTU/h to 199,900 BTU/h
- **Capacity Range** - Flow rates from 0.5 gpm up to 9.8 gpm
- **Compact Design** - ANSI Z21.10.3/CSA 4.3 certified design that can be wall-mounted indoors (-SV and -DVC models only) or installed outdoors with an -OD model
- **Durable Steel Casing with Polyester Coating**
- **Heat Exchanger** - Manufactured with commercial grade copper, 25% thicker piping than standard models
- **Venting Options** - Available in Power Vent (-SV), Outdoor (-OD), or Concentric Direct Vent (-DVC) model that requires either 4" Category III or 5" / 3" Noritz concentric stainless steel pipe
- **Direct Electronic Ignition**
- **Quick-Connect** - Two identical units can be linked together by using the optional Quick Connect Cord for twice the hot water capacity
- **Energy Factor** - 0.82 (NG) 0.82 (LP) for SV model
0.83 (NG) 0.83 (LP) for OD model
0.82 (NG) 0.82 (LP) for DVC model
- **Temperature Controls** - Includes remote thermostat that can precisely adjust the output temperature from 100°F to 180°F
- **Power Cord Installation Kit** - 6' power cord is included with -SV and -DVC models (*assembly required for SV models*)
- **Safety Devices** - Flame Sensor, Overheat Prevention Device, Lightning Protection Device, Freeze Protection
- **Additional Features** - Temperature Lockout, High Elevation Adjustment New Scale Detection Function
- **12-Year* Limited Heat Exchanger Warranty for Residential Use**
- **5-Year Limited Parts Warranty**
- **1-Year Reasonable Labor**
- **Approvals** - CSA, UPC**, NSF, Low NOx Approved by SCAQMD [$<14\text{ng/J}$ or 20ppm] Suitable for Installation in a Manufactured (Mobile) Home***



<p>Model</p> <p>NR98 _____</p> <p><input type="checkbox"/> SV (Standard Vent)</p> <p><input type="checkbox"/> OD (Outdoor Vent)</p> <p><input type="checkbox"/> DVC (Concentric Direct Vent)</p> <p><input type="checkbox"/> DVC-CA (Concentric Direct Vent for Canada)</p> <p>Accessories</p> <p><input type="checkbox"/> Isolator Valve (#IK-WV-200-1-(SW/TH)-LF)</p> <p><input type="checkbox"/> Pipe Cover for SV/OD Model (#PC-2S)</p> <p><input type="checkbox"/> Pipe Cover for DVC Model (#PC-5S)</p> <p><input type="checkbox"/> Recess Box for OD Model (#RB-700-1)</p> <p><input type="checkbox"/> Quick Connect Cord (#QC-1)</p>
--

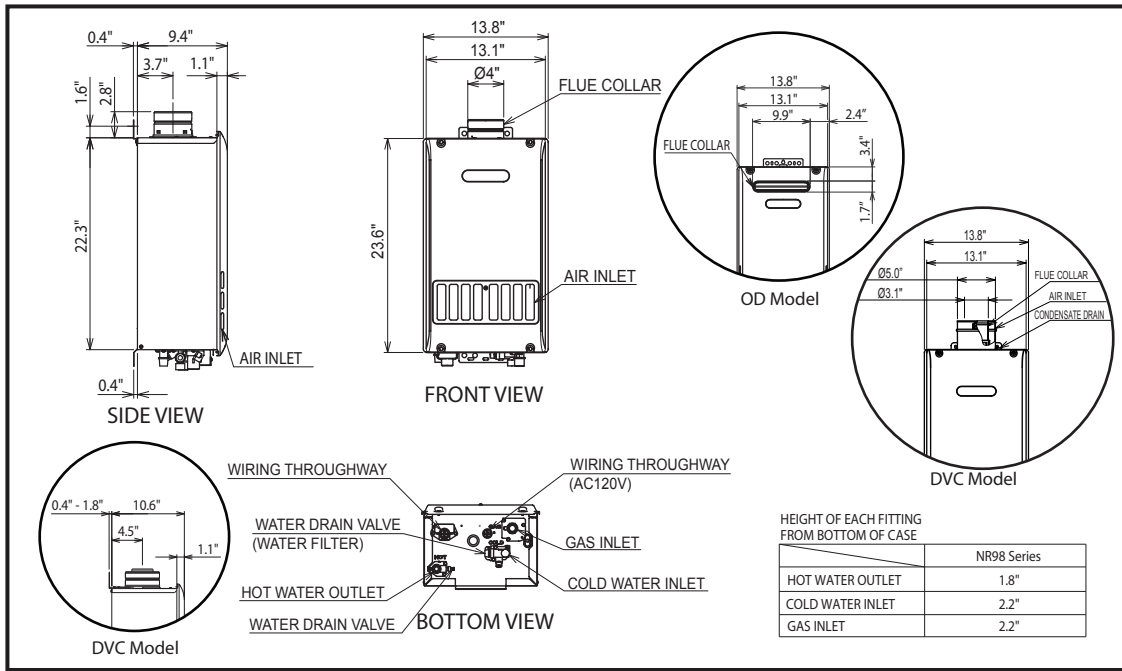


* Heat Exchanger warranty is maintained at 12 years or 6500 operational hours, whichever occurs first, when used in a single family dwelling in conjunction with a controlled recirculation system (an aquastat being the minimum pump control requirement) in accordance with the Installation Manual. Refer to the Noritz Limited Warranty for complete coverage details

** This product complies with California AB 1953 Low Lead Law and Section 1417(d) of the Safe Drinking Water Act

*** Manufactured (Mobile) Home approval is valid for OD or DVC models only

Dimensions

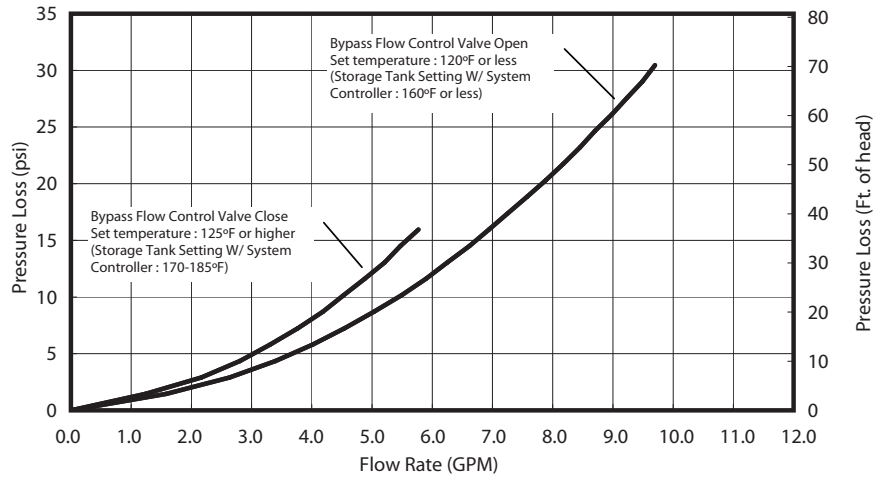


Flow Rates

Temperature Rise (°F)	30	40	45	50	60	70	80	90	100
Flow Rate (GPM)	9.8	8.4	7.5	6.7	5.6	4.8	4.2	3.7	3.4

For peak flow rates in shaded areas, contact Noritz for proper setting

Pressure Loss



Specifications

Model Name	NR98SV (GQ-2857WX-F US)	NR98OD (GQ-2857WX US)	NR98DVC (GQ-2857WX-FFA US)
Weight	54 (pounds)		58 (pounds)
Water Holding Capacity	0.2 Gallon		
Connection Sizes	Water Inlet	3/4"	
	Hot Water Outlet	3/4"	
	Gas Inlet	3/4"	
Power	Supply	120VAC (60Hz), less than 2 amperes	
	Consumption	NG:62W LP:75W Freeze Prevention 145W	NG:65W LP:67W Freeze Prevention 161W
Freeze Protection	Indoor: -30°F Outdoor: -4°F	Indoor: -30°F	
Temperature Settings °F ; °C	100-140°F (In 5°F intervals), (9 Options) ; 37-48°C (In 1°C intervals), 50,55,60°C (In 5°C intervals) (15 Options)		
Default Temperature Options	120°F (50°C), 135°F (57°C), 140°F (60°C) (Original is 120°F (50°C))		