

# 87% Efficient!

## Burnham®

# MPO-IQ™



## Oil Fired, Chimney Vented, Cast Iron Water Boiler

### Fully Updated for D.O.E. 2012 Compliance!

- 87% AFUE, ENERGY STAR® certified
- 3-pass cast iron sectional design
- Equipped with exclusive IQ Control System™
- Now available with Honeywell digital oil primary control (Beckett and Carlin EZ-Pro). Additional burner options, including Riello, are also available
- Five sizes available, 0.60-1.65 GPH
- Direct vent option kit available in three sizes (1.05-1.65 GPH)
- Built-in protection for low return water temperatures
- Easy installation and servicing; Reversible swing away burner door, no target wall/blanket, removable rear plates provide direct access to flue passages
- Lifetime limited warranty

## IQ control system

- Consists of the Intelligent Oil Boiler Control and IQ Option Panel

### Intelligent Oil Boiler Control

- Combines aquastat, relay, and ignition functions into a single module
- Two customizable integrated switching relays for easy addition of additional heating zone or indirect water heater
- Energy saving “thermal purge”, which works by circulating residual warm water (140° or above) in the heating system before firing the boiler

### IQ Option Panel

- Enables the easy plug & play installation of optional features such as outdoor reset, LWCO, and high limit



### Optional Touchscreen

- LCD displays all boiler settings, diagnostics, and troubleshooting in sentences, not codes



Honeywell digital oil primary is available on Beckett and Carlin EZ-Pro burners

**Burnham®**  
by  
**U.S. Boiler Company**



# MPO-IQ: Technical Information



## Standard Equipment

- Precision cast and machined sections
- BC25HSi silicon-inoculated iron
- Return mixing manifold
- Stylish, countoured, powder coated steel jacket
- Molded plastic control cover
- Insulated jacket (3")
- Reversible cast iron swing-away burner door
- Vacuum-formed burner door insulation
- Insulated, removable clean-out ports
- Integrated lifting legs
- Mounted and wired controls

- 30# relief valve
- Barometric draft regulator
- Boiler drain valve
- Circulator – Taco 007


## IQ Oil Boiler Control

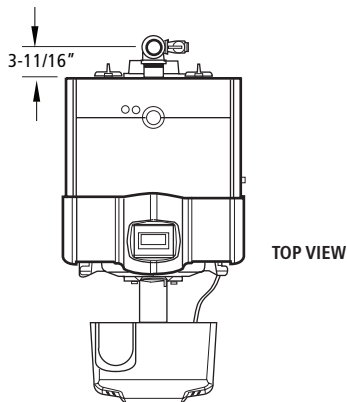
- 3-digit LED readout displays boiler status, settings, and error codes for easy set-up and troubleshooting
- Adjustable high limit and differential
- 120V input for indirect water heater or 2nd heating zone
- 120V output for indirect or second zone circulator

- Selectable, adjustable circulator pre-purge & post-purge
- Displays diagnostic and status info from primary control\*
- Concealed Junction Box in Rear of Boiler
- Accepts plug & play IQ Option Cards for simple installation of Outdoor Reset, Low Water Cutoff, & Aux. High Limit
- 3-digit display for option card settings, status and diagnostics.

\*when equipped with Carlin or Beckett burner

## MPO-IQ Ratings & Specifications

Model	 AFUE%	Burner Cap. (GPH)	DOE Heating Cap. (MBH)	Net AHRI (MBH)	Flue Collar (In.)	Min. Chimney Diameter (In.)	Water Content (Gal.)	Approx. Shipping Weight (lbs.)	(DV) Approx. Shipping Weight (lbs.)
MPO-IQ84	87	0.60	74	69	5	6	7.70	475	N/A
MPO-IQ115	87	0.80	101	88	5	6	7.70	475	N/A
MPO-IQ147	87	1.05	129	112	6	6	11.08	525	579
MPO-IQ189	87	1.35	167	145	6	7	14.46	660	692
MPO-IQ231	87	1.65	203	177	7	7	17.84	776	807



Model	'A'	'B'	'C'
MPO-IQ84	16-5/8	24	5
MPO-IQ115	16-5/8	24	5
MPO-IQ147	22-5/8	24	6
MPO-IQ189	28-5/8	30	6
MPO-IQ231	34-5/8	30	7

Model	Vent Connector Diameter	Optional Starter "T" Depth "D"
MPO-IQ147	5	14
MPO-IQ189	5	14.5
MPO-IQ231	6	14.5

