

Job Name/Location:

Tag #:

Date: _____ For: File Resubmit
 PO No.: _____ Approval Other _____
 Architect: _____ GC: _____
 Engr: _____ Mech: _____
 Rep: _____
 (Company) _____ (Project Manager) _____



LS121HSV2
 High Efficiency Single Zone Inverter
 ODU - LSU121HSV2 IDU - LSN121HSV2



Performance:

Cooling:

Capacity (Btu/h)	11,200
SEER	20.0
EER	12.5

SEER - Seasonal Energy Efficiency Ratio EER - Energy Efficiency Ratio

Heating:

Capacity (Btu/h)	13,300
HSPF	11.0

HSPF - Heating Seasonal Performance Factor

Cooling Nominal Test Conditions: Indoor: 80°F DB/67°F WB Outdoor: 95°F DB/75°F WB
 Heating Nominal Test Conditions: Indoor: 70°F DB/60°F WB Outdoor: 47°F DB/43°F WB

Electrical:

Outdoor Unit:

Power Supply (V/Hz/∅)	208-230/60/1
MOP (A)	15
MCA (A)	10.0
Cooling Rated Amps (A)	7.3
Heating Rated Amps (A)	8.1
Compressor (A)	7.6
Fan Motor (A)	0.25

MOP - Maximum Overcurrent Protection MCA - Minimum Circuit Ampacity

Indoor Unit:

Power Supply (V/Hz/∅)	208-230/60/1
Cooling Power Input (kW)	0.90
Heating Power Input (kW)	1.0

Piping:

Liquid Line (in, OD)	1/4
Vapor Line (in, OD)	3/8
Additional Refrigerant (oz/ft)	0.22
Max Pipe Length (ft) ¹	65
Piping Length (no add'l refrigerant, ft)	41
Max Elevation (ft)	32

Controls Features:

- 24-Hour on/off timer
- 4-Way auto swing
- Auto changeover
- Auto restart
- Built-in low ambient standard, down to 14°F (cooling mode)
- Chaos wind
- Condensate Sensor Connection
- Energy saving
- Inverter (variable speed compressor)
- Jet cool/Jet heat
- Plasma air purifying system
- Self-cleaning indoor coil
- Sleep mode
- Ultra quiet operation

Optional Accessories (sold separately)

- 7-Day Programmable Controller (Black) - PQRCVSL0
- 7-Day Programmable Controller (White) - PQRCVSL0QW
- Low Ambient Wind Baffle (Cooling operation to 0°F) - ZLABGP01A

For continual product development, LG reserves the right to change specifications without notice.

LG Electronics U.S.A., Inc., Englewood Cliffs, NJ. All rights reserved. "LG Life's Good" is a registered trademark of LG Corp. /www.lghvac.com

Operating Range:

Outdoor Unit:

Cooling (°F DB)	14-118
Heating (°F WB)	5-75

Indoor Unit:

Cooling (°F DB)	64-86
Heating (°F DB)	60-86

Unit Data:

Refrigerant Type	R410A
Refrigerant Control	EEV
Refrigerant Charge (lbs)	2.21
ODU Sound Pressure (±3 dB(A)) ²	45
IDU Sound Pressure (±3 dB(A)) ²	39/33/24
ODU Net Unit Weight (lbs)	77.2
ODU Shipping Weight (lbs)	81.6
IDU Net Unit Weight	22.1
IDU Shipping Weight (lbs)	26.5
Heat Exchanger Coating	GoldFin™
Communication Cable (No x AWG) ³	4 x 18

Fan:

ODU Type	Propeller
IDU Type	Cross Flow
Fan Speeds (Fan/Cooling/Heating)	6/Auto/Chaos
Quantity (ODU + IDU)	1 + 1
Motor/Drive	Brushless Digitally Controlled/Direct
ODU Max Air Flow Rate (CFM)	1,165
IDU Max Air Flow H/M/L (CFM)	350/280/210
Dehumidification (pts/hr)	3.0

Notes:

- 1.Piping lengths are equivalent.
- 2.Sound Pressure levels are tested in an anechoic chamber under ISO Standard 1996.
- 3.All communication cable to be minimum 18 AWG, 2-conductor, stranded, shielded and must comply with applicable local and national code.
- 4.See Engineering Manual for sensible and latent capacities.
- 5.Power wiring cable size must comply with the applicable local and national code.
- 6.The indoor unit comes with a dry helium charge.
- 7.This data is rated 0 ft above sea level, with 24.6 ft of refrigerant line and a 0 ft level difference between outdoor and indoor units.
- 8.Must follow installation instructions in the applicable LG installation manual.

Standard Features:

- Limited Five Year Compressor Warranty
- Limited Two Year Functional Parts Warranty



Job Name/Location:

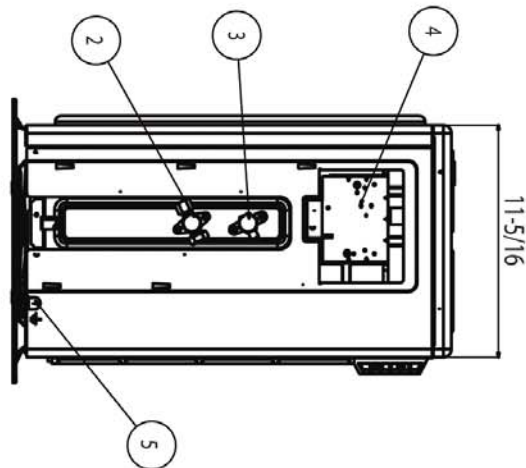
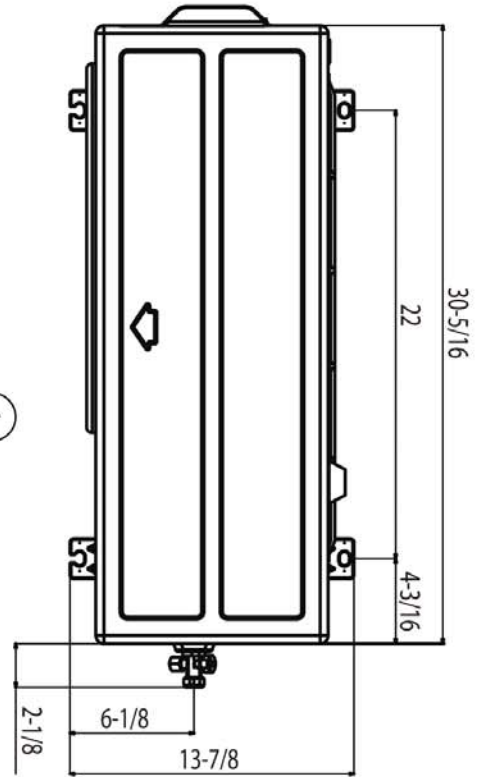
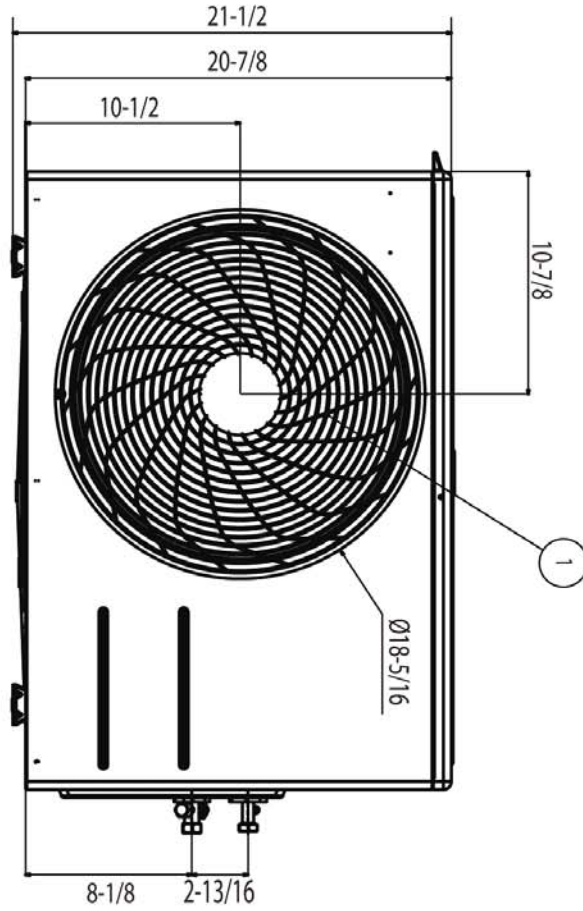
ODU - LSU121HSV2
 High Efficiency Single Zone Inverter



Tag #:

Date:

PO No.:



Unit: inch

Item No.	Part Name	Remarks
1	Air Discharge Grille	
2	Gas Pipe Connection Port	
3	Liquid Pipe Connection Port	
4	Control Box	
5	Earth Screw	

IDU - LSN121HSV2

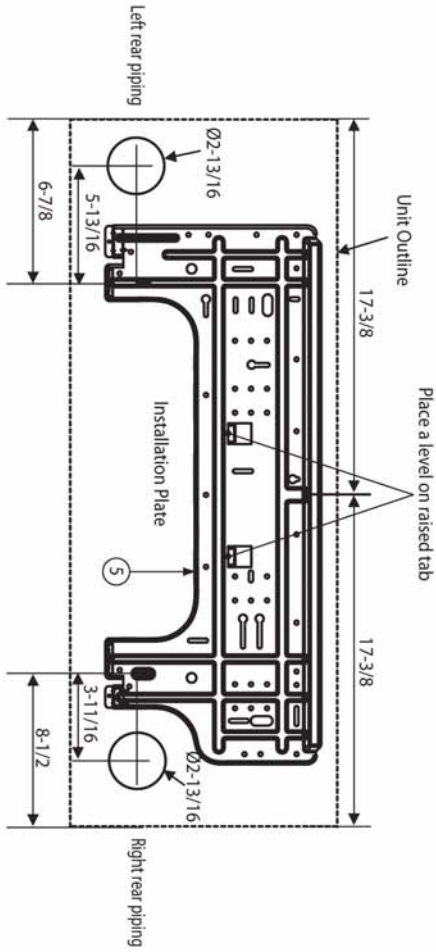
High Efficiency Single Zone Inverter



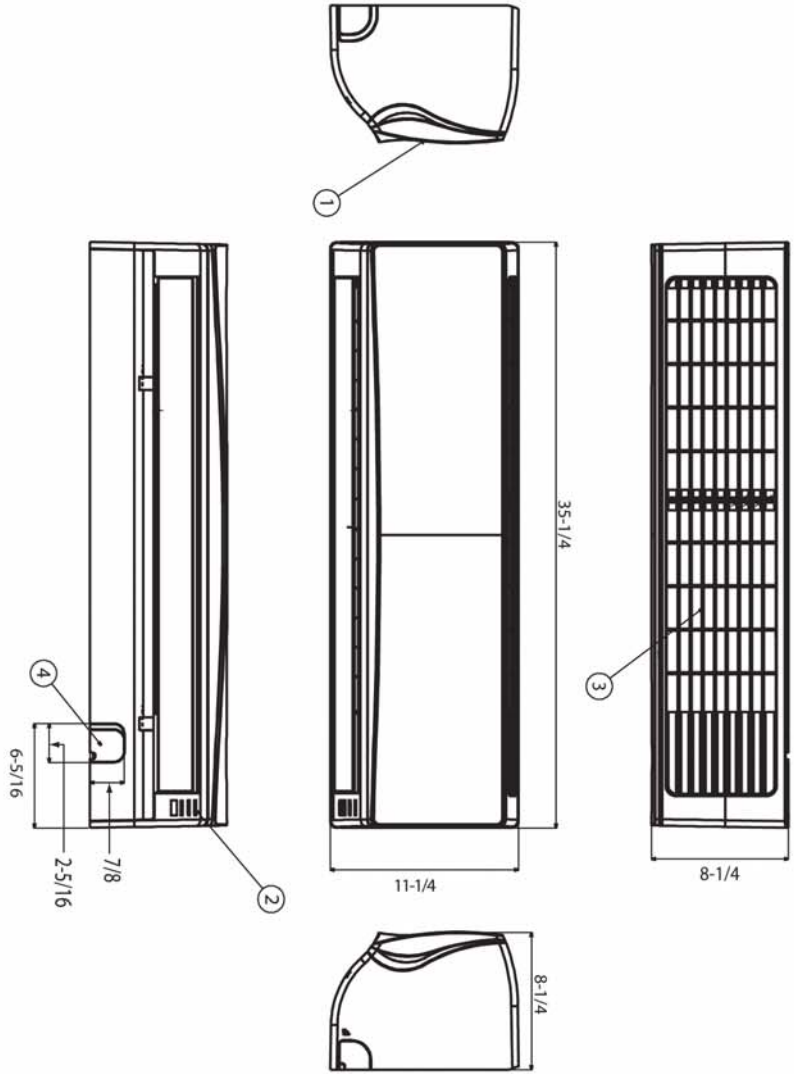
Tag #: _____

Date: _____

PO No.: _____



Unit: inch



Item No.	Part Name	Remarks
1	Front Panel	
2	Display & Signal Receiver	
3	Air Suction Grille	
4	Knockout hole	For pipe and cable
5	Installation Plate	