

Job Name/Location:

Tag #:

Date:

For: File Resubmit

PO No.:

Approval Other _____

Architect:

GC:

Engr:

Mech:

Rep:

(Company)

(Project Manager)



Packaged Terminal Air Conditioners (PTAC) 208-230V Heat Pump Models



Model	Cooling Capacity (Btu/h)	EER	Heating Capacity (Btu/h)	COP	Net Weight (lbs)	Shipping Weight (lbs)	Sound Pressure IDU/ODU (dBA)	Air Circulation H/L (CFM)	Dehumidification (pts/hr)	Power Supply (V/Hz/Ph)	Electric Heater (kW)	MOP (A)	MCA (A)	Rated Amps (A) (Cooling)	Rated Amps (A) (Heating)	Cooling Power Input (W)	Heating Power Input (W)
LP073HD2B	7,100/7,300	13.3	6,200/6,400	3.6	95	109	45/61	270/225	1.7	208-230/60/1	2.4/2.5	15	14.9	2.7/2.5	2.6/2.4	535/550	500/520
LP093HD3B	9,300/9,500	12.9	8,000/8,200	3.6	106	120	46/61	270/225	2.6	208-230/60/1	3.1/3.5	20	19.5	3.6/3.3	3.3/3.0	720/735	655/670
LP123HD3B	12,000/12,200	11.9	10,600/10,800	3.5	106	120	50/63	420/353	3.0	208-230/60/1	3.1/3.5	20	19.5	5.2/4.8	4.6/4.3	1,010/1,025	885/905
LP153HD3B	14,900/15,100	11.2	13,200/13,400	3.1	115	129	51/64	420/353	4.3	208-230/60/1	3.1/3.5	20	19.5	6.6/6.1	6.2/5.7	1,330/1,345	1,250/1,265

- 1: EER - Energy Efficiency Ratio
- 2: COP - Coefficient of Performance
- 3: IDU - Indoor Unit
- 4: ODU - Outdoor Unit
- 5: MOP - Maximum Overcurrent Protection
- 6: MCA - Minimum Circuit Ampacity

Standard Features:

- 4.26 ft power cord
- Auto restart
- Digital control display
- Dip switch setting for temperature limiting
- Energy saver mode
- Freeze room protection
- Front desk control
- GoldFin™ anti-corrosion treatment for condenser
- High energy efficiency
- Temperature display on unit
- Ultra-quiet operation
- Positive Temperature Coefficient (PTC) Heater

Optional Accessories:

- Wall Sleeve - 42"W x 16"H x 13-3/4"D (AYSVB01A)
- Stamped Aluminum Grille (AYRGALA01)
- Architecture Grille:**
 - Aluminum (AYAGALA01A)
 - Dark Bronze (AYAGALB01A)
 - Soft Dove (AYAGALC01A)
- Sub Base:**
 - 208-230V 20A (AYSB1101A)
 - 265V 20A (AYSB3101A)
- Condensate Drain Kit (AYDR101A)
- Hard Wire Kit (AYHW101)
- Replacement Filter 10 Pack (AYFT110)
- Leveling Legs (AYLL101A)

Optional Wall Thermostats

- Wired Wall Thermostat (PYRCUCA0B)
- Wireless Wall Thermostat (PYRCUCC1HB)
- Wired Wall Thermostat Connection Kit (AYWH101)

Job Name/Location:

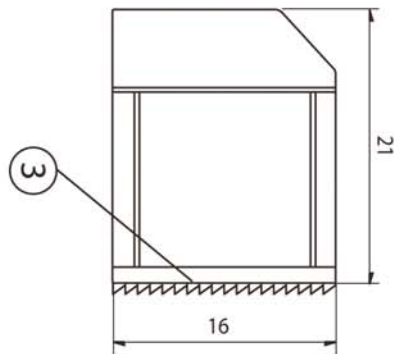
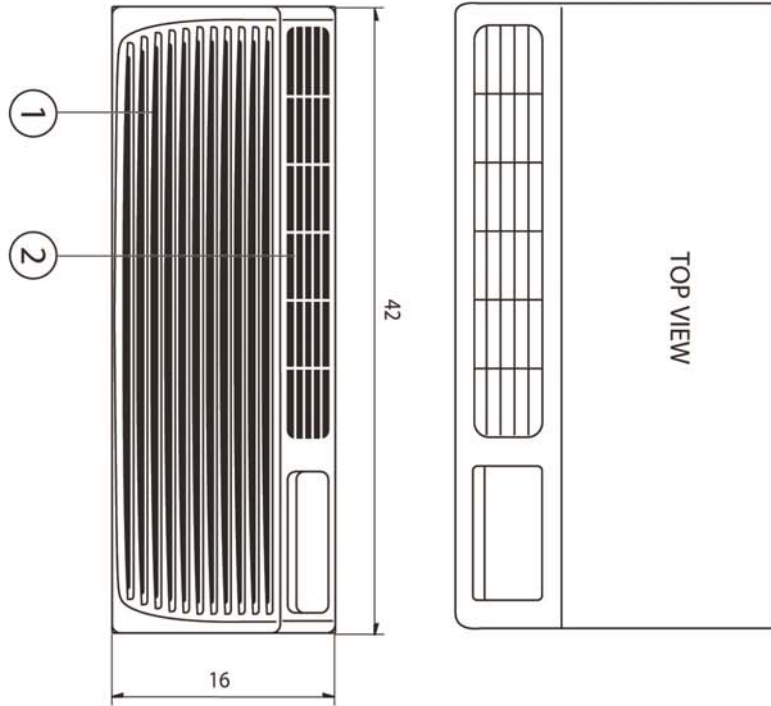
Packaged Terminal Air Conditioners (PTAC) 208-230V Heat Pump Models



Tag #:

Date:

PO No.:



Unit: inch

Item No.	Part name	Remarks
1	Inlet Grille	
2	Vertical Air Deflector	
3	Architectural Grille	