

ProMax[®] CLOSED COMBUSTION POWER DIRECT VENT

POWER DIRECT VENT DESIGN

ProMax Power Direct Vent residential gas models are equipped with FVIR technology to meet Phase III of the ANSI Z210.1 - 4.1 CSA standards for the resistance to flammable vapor ignition and resistance to lint, dust and oil accumulation tests.

The two-pipe closed-combustion system draws all make-up air from outside the home, eliminating problems caused by insufficient indoor ventilation.

The system permits combined horizontal and vertical venting and air intake runs up to 45 feet (including one 90° elbow) using 3" Schedule 40 PVC, CPVC or ABS pipe for installation versatility.

INTELLI-VENT™* GAS CONTROL

Models are equipped with silicon nitride hot surface ignitor and advanced electronics for precise control of water temperature and simplified system diagnostics.

FACTORY INSTALLED HEAT TRAP NIPPLES

Standard on all models.

QUIET, MODULAR BLOWER

Equipped with 110/120 volt electrical system (rating 3 amps or less), 6-foot cord, standard 3-prong male connector.

DYNACLEAN™ DIFFUSER DIP TUBE

Reduces lime and sediment buildup, maximizes hot water output. Made from long-lasting PEX cross-linked polymer.

COREGARD™ ANODE ROD

Aluminum anode with stainless steel core protects tank against corrosion longer than ordinary mild steel anodes.

GREEN CHOICE® GAS BURNER

Patents "Eco-Friendly" design reduces NOx emissions by up to 33%, complies with NOx requirements of less than 40 ng/j

DURABLE TAMPER-RESISTANT BRASS DRAIN VALVE

A. O. SMITH BLUE DIAMOND® GLASS COATING

Provides superior corrosion resistance compared to industry-standard glass lining.

CSA CERTIFIED AND ASME RATED T&P RELIEF VALVE

CODE COMPLIANCE: UBC, SBCC, CABO, HUD, BOCA NATIONAL CODES, ASHRAE/IESNA 90.1 CURRENT EDITION AND 2004 NAECA STANDARDS

DESIGN-CERTIFIED BY CSA INTERNATIONAL

According to ANSI Z21.10.1 - CSA 4.1 standards governing storage-type waterheater.

6-YEAR LIMITED TANK AND PARTS WARRANTY

For complete information, consult written warranty.

*Intelli-Vent™ is a registered trademark of the Emerson Electric Company



ProMax® CLOSED COMBUSTION POWER DIRECT VENT

MODEL NUMBER	FIRST HOUR RATING GALLONS	ENERGY FACTOR	GAL. CAP.	BTU INPUT PER HOUR NATURAL†	RECOVERY 90°F RISE GALLONS PER HOUR	R VALUE*	DIMENSIONS IN INCHES						APPROX. SHIPPING WEIGHT (LBS)	
							A	B	C	D	E	F		BLOWER OUTLET
GPD-40	70	.60	40	40,000	41	16	57	48-1/2	21	15	8	42	3	224
GPD-50	87	.59	50	40,000	41	16	66	57-1/2	21	15	8	51	3	232
GPDX-50	105	.58	50	65,000	64	16	69-1/2	61	21	15	8	54-1/2	3	232
GPD-75	130	.58	75	70,000	72	16	71-1/2	61-1/2	26-1/4	15-1/2	8	54-3/4	3	300

GPDX-50 is supplied with 5' of 3" ABS vent pipe and must be used for the first 5' of the exhaust outlet vent system.

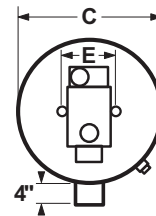
GPD-75 is supplied with 5' of 3" CPVC vent pipe and must be used for the first 5' of the exhaust outlet vent system.

Recovery capacity based on actual performance tests.

Water connections, 3/4" on all models.

†Propane inputs/recoveries: GPD-40: 36,000BTU/37GPH
 GPD-50: 38,000BTU/39GPH
 GPDX-50: 60,000BTU/59GPH
 GPD-75: 65,000BTU/67GPH

*R Value shown is "performance rated."

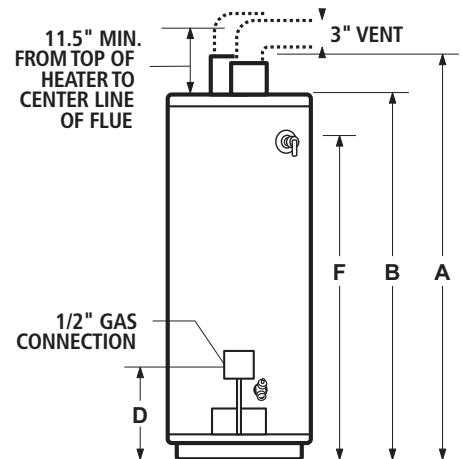
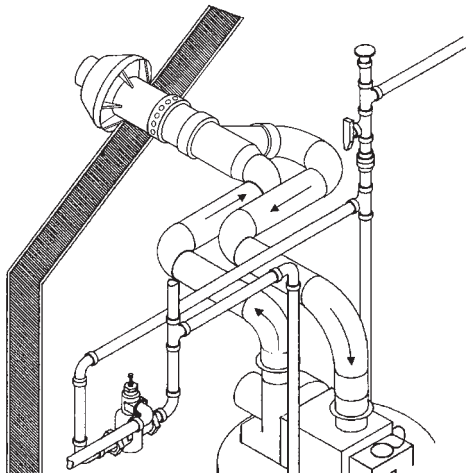


IMPORTANT: VENTING AND COMBUSTION AIR REQUIREMENTS

Read and follow requirements shown in the Installation Manual for ProMax® Power Direct Vent Gas water heaters dealing with type, placement and length of vent pipe and vent termination, as well as clearances required to provide adequate combustion and proper ventilation.

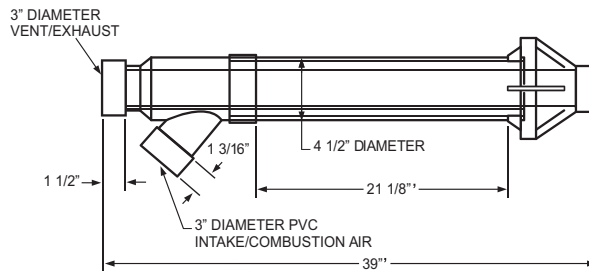
IMPORTANT: SEE INSTALLATION MANUAL FOR COMBUSTION AIR AND VENTING SYSTEM REQUIREMENTS FOR POWER DIRECT VENT WATER HEATERS

OPTIONAL 3" PVC HORIZONTAL VENT KIT (Kit Number 9006475005)



Maximum hydrostatic working pressure: 150 psi

INSTALL IN ACCORDANCE WITH LOCAL CODES.



OPTIONAL CONCENTRIC VENT KIT