

Residential Steam Humidifier

- Automatic maintenance keeps tank clean
- Onboard computer monitors all functions
- Two models - 120 volt and 220 volt



High efficiency, low maintenance residential humidifier

The Field Controls Steam Humidifier is quite possibly the best humidifier for homes with forced air heat. It is compatible with virtually every make and model of forced

air system, it is ideal for use with heat pumps, and it's the only humidifier that will operate in the heating system without the need for a heat call.



FIELD CONTROLS

Residential Steam Humidifier

The humidifier that works when you need it.

The Field Controls Residential Steam Humidifier operates when there is a call for humidity, not just when there is a call for heat. This means maximum comfort for the homeowner. It is also designed for optimum efficiency with an onboard system that automatically performs routine maintenance and monitors operations for maximum safety.

Automatic Maintenance

The automatic flush system drains the humidifier every twenty-four hours of operation. This is a preventative maintenance mode that keeps the pan clean and the water fresh. Since the pan refills only when there is a call for humidity, the pan is empty during the summer months. This prevents stagnant water and the problems associated with other types of humidifiers. The S2000 can output up to 16 gallons of water per day and the S2020 can output up to 23 gallons per day.

Information is Power

The S2000 and S2020 steam humidifiers have a built-in computer chip to insure maximum efficiency, accuracy, reliability and safety. The easy to read LEDs on the unit communicate operation and trouble-shooting information.



Features

- Interlocking wiring for fan control
- LEDs for system readout
- Replaceable sacrificial anode
- Optional water filter
- Copper heating element for improved durability

Benefits

- Humidifies without a call for heat
- Compatible with all forced air heating systems
- Most effective cure for dry homes
- 100% guaranteed NO stagnating water
- Water is allowed to cool before draining, reducing risk of scalding if servicing
- Reduced clogging because tank does not drain from the bottom
- Works with heat pumps and geo-thermal systems

Part of the

Healthy Home System™

Humidistat Control

The Digital Display Automatic Humidistat adjusts the indoor Relative Humidity (RH)% based on the outdoor temperature. Can be wall mount or duct mount. Can be used in Automatic or Manual mode for RH setting. Outdoor air sensor included.

Model 072000



Air Proving Device

A split core current sensing relay will monitor the on/off status of any blower motor. The APD will make sure your Steam Humidifier only operates when your fan is functioning.

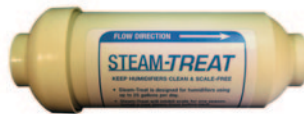
Model APD



Water Filter Cartridge

The WC-25 is a water filter cartridge that helps reduce mineral build up on the humidifier. The cartridge will last for one heating season.

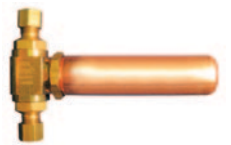
Model WC-25



Water Hammer Arrestor

The WH-100 is a water hammer arrester that is used to eliminate pipe noise.

Model WH-100



Under Duct Steam Cover

The Model 2009 is a decorative cover for the S2000/S2020 when installed in an under-the-duct application.

Model 2009



Anode

The Z-100 is the replaceable sacrificial anode for the Steam Humidifier. The Z-100 will last one full season, while maintaining your humidifier.

Model Z-100



Duct Brackets

The Internal Duct Bracket and Under Duct Bracket are permanent mounting brackets used to make the servicing of the S2000 and S2020 quicker and easier.

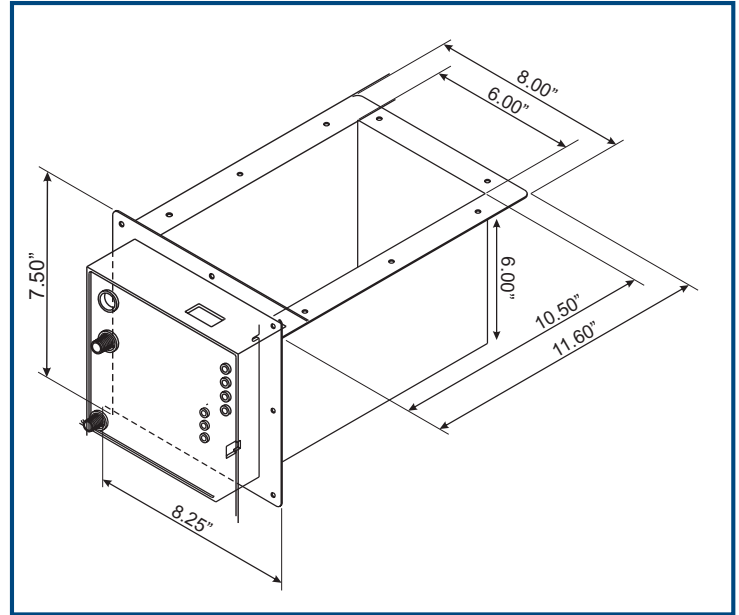
Model IDB & UDB



FIELD CONTROLS

Model S2000 /S2020 Service & Replacement Parts List

S2000 PART NO.	S2020 PARTNO.	DESCRIPTION OF PART
2120	—	120 VOLT HEATER ASSEMBLY
—	2240	240 VOLT HEATER ASSEMBLY
2001	2001	24 VOLT SOLENOID VALVE ASSEMBLY
2002	2002	THERMISTOR PROBE ASSEMBLY
2003	2003	WATER LEVEL PROBE ASSEMBLY
2010	2011	CIRCUIT BOARD ASSEMBLY
2006	2006	DRAIN VALVE ASSEMBLY
2007	2007	TANK BAFFLE
2008	2008	INSULATION KIT
WH-100	WH-100	WATER HAMMER ARRESTER
Z-100	Z-100	ANODE
2009	2009	UNDER DUCT STEAM COVER
APD	APD	AIR PROVING DEVICE
WFA-195	WFA-195	WATER FILTER ASSEMBLY
WFC-195	WFC-195	WATER FILTER CARTRIDGE



S2000		S2020	
Output Capacity	16 Gal./Day	Output Capacity	23 Gal./Day
Square Footage	2,400 Sq. Ft.	Square Footage	3,200 Sq. Ft.
Voltage	120 VAC	Voltage	220 VAC
Electrical	1.4 KW, 11.6 amps	Electrical	2.0 KW, 8.5 amps
Plenum Opening	6" X 6"	Plenum Opening	6" X 6"
Weight	9 Lbs	Weight	9 Lbs
Humidistat Included	Yes	Humidistat Included	Yes



FIELD CONTROLS
fieldcontrols.com

Field Controls, LLC | 2630 Airport Road | Kinston, NC 28504 | t: 252.522.3031 | f: 252.522.0214