



Product Data

EVOLUTION® CONNEX™ CONTROL

Bryant® specializes in creating a customized home comfort system tailored to your needs with our broad selection of residential heating and cooling products. The Evolution® Connex™ Control System is the ultimate control center for all of your system components. When you add an Evolution Connex Control to a compatible variable speed furnace, fan coil, or small packaged product, you will enjoy longer heating and cooling cycles at lower fan speeds for a more consistent temperature throughout your home. By adding a variable speed or 2-stage outdoor unit, you will enjoy extra benefits which include better humidity and temperature control as well as a more energy efficient comfort system. When paired with Evolution® Zoning controls, the Evolution Connex Control allows you to create up to 8 zones of customized comfort.

The Evolution® Zoning system does not require a bypass damper, leaving air temperature (LAT) sensor, or field-installed power transformer.

INDUSTRY LEADING FEATURES / BENEFITS

Bryant's revolutionary Evolution Connex Control is the smart control of the future. The Evolution Connex Control features a high resolution display, making it easier to read. Intuitive prompts let you program everything from humidity levels to fan speeds, giving you the ultimate control over your home comfort. Other features include:

- 4-wire installation from each component in the system
- Evolution® Zoning
- Intuitive on-screen prompts for ease of installation and service
- Perfect Humidity™ settings are the default no longer requiring increased system setup
- Complete integration of the temperature, humidity and ventilation in every season
- 7-day programmability with Lifestyle Comfort Profiles and Touch-N-Go® features
- Easy timed-override schedule
- Simplified vacation schedules
- Day-at-a-glance programming for simplified ease of use
- Programmable fan by period
- TrueSense™ Dirty Filter Detection
- Indoor Air Quality pop up reminders
- General maintenance reminder messaging
- Wi-Fi remote access capability (SYSTXBBECW01-A & SYSTXBBECC01-A)
- Photo, dealer info, and software update USB upload capability
- Compatible with home automation through the SYSTXBBRCT01 or SYSTXBBRWF01.
- Compatible with Evolution® Small Packaged Products



A12479

NOTE: Evolution® Connex™ Control compatible with Evolution® rated equipment only.

US Patents: Carrier® U.S. Pat No. 7,243,004, Carrier® U.S. Pat No. 7,775,452, pointSET™ U.S. Pat No. 7,415,102

MODEL NUMBER NOMENCLATURE

1 2 3 4 5 6 7 8 9 10 11 12 13 14
S Y S T X B B E C W 0 1 - A

Product Type
 Evolution® System

Version
 A

Brand
 Bryant

Packaged Quantity
 01

Model Type

ECW – Evolution® Connex™ Control with Wi-Fi & Wireless Access Point

ECC – Evolution® Connex™ Control with Wi-Fi & Wireless

ECN – Evolution® Connex™ Control (non-Wi-Fi)

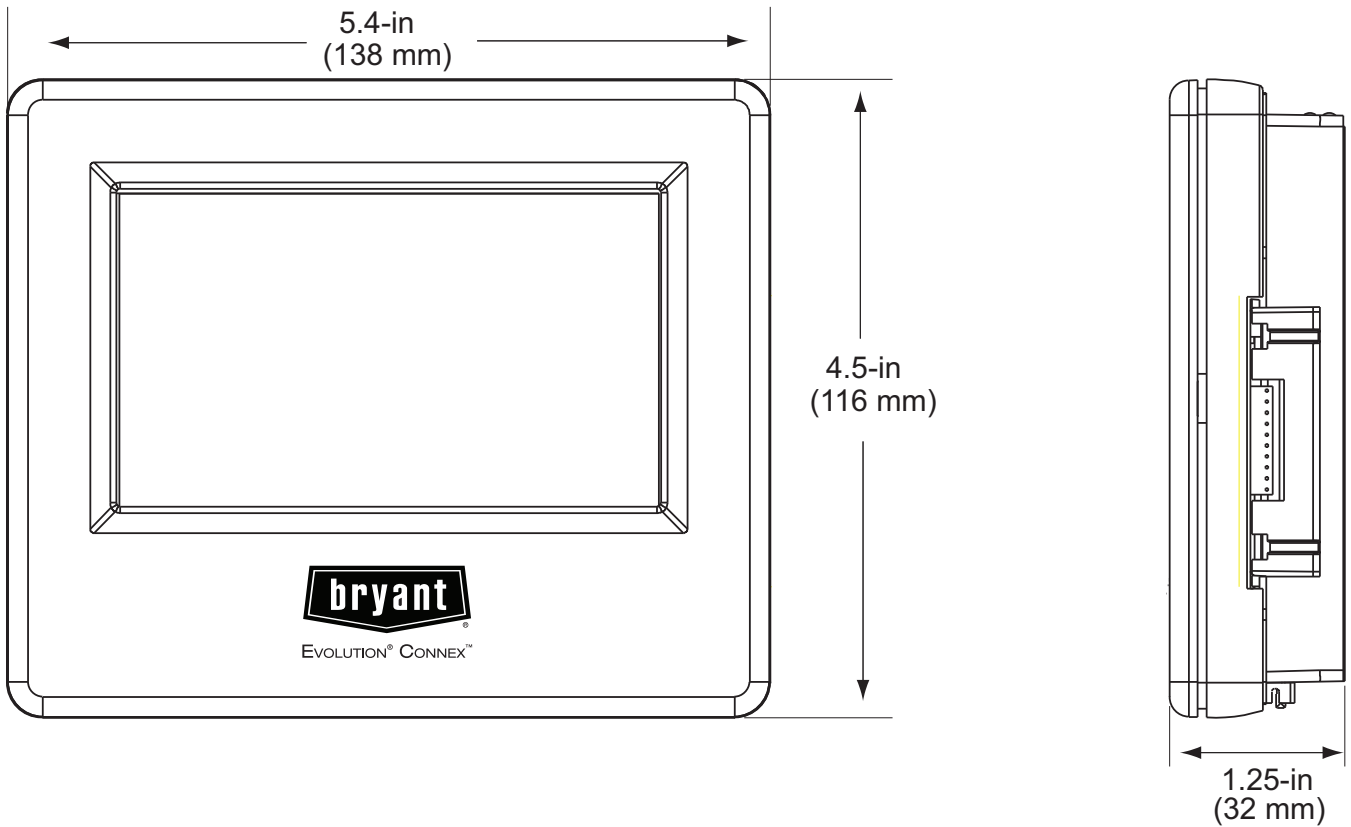


Fig. 1 - Unit Dimensions

A12527

PRODUCT DATA INFORMATION

Compatible Communicating Products

Compatible with most Evolution® System indoor and outdoor equipment built since 2004; see equipment specifications for details

Home Automation System Interface

The Evolution Connex control can connect to a variety of Home Automation systems. Note that not all Home Automation systems may be compatible. Reference the latest version of the Application Specification titled “SAM Remote Access Application Specification,” available on HVACpartners.com to learn more about the latest Home Automation interfaces to the Evolution systems. Work with the home automation supplier to see if the systems are compatible. If not, you may provide the “SAM Remote Access Application Specification” to the home automation supplier to develop an interface with the Evolution Connex system. Always be sure to obtain the latest version of the application specification from HVACpartners, as we continually update and add home automation interfaces.

NOTE: The ability to remotely access and adjust the settings of the Evolution Connex Control with the MyEvolution web and mobile applications or other system interfaces is dependent on the compatibility of the user’s computer, home network, and/or mobile device, the Evolution Connex Control and/or the MyEvolution web server or other system interfaces with, and the availability of, the user’s Internet service provider or mobile device carrier service. Bryant Heating and Cooling Systems makes no representations or warranties, express or implied, including, to the extent permitted by applicable law, any implied, including, to the extent permitted by applicable law, any implied warranty of merchantability or fitness for a particular purpose or use, about the compatibility of the user’s computer, home network, and/or mobile device, with the Evolution Connex Control, and/or the MyEvolution web server or other system interfaces, with, and the availability of the user’s Internet service provider or mobile device carrier service, or that the ability to remotely access and adjust the settings of the Evolution Connex Control will not be negatively affected by the network - related modifications, upgrades, or similar activity of the user’s Internet service provider or mobile device carrier service.

Physical Characteristics

Dimensions: See drawing

Appearance: Off-white color

Electrical Characteristics/Communication

Input Volt 24VAC

Each device in the Evolution® System has a four-pin connector labeled ABCD. It is recommended that the following color code be used when wiring each device:

- A — Green = Data A
- B — Yellow = Data B
- C — White = 24VAC (Com)
- D — Red = 24VAC (Hot)

Environmental Requirements:

Operating Temperature/Relative Humidity:

User interface and all sensors: 32°F to 104°F / 0°C to 40°C, 95% rh non-condensing

Storage Temperature/Relative Humidity:

User interface: - 40°F to 134°F / -40°C to 56.7°C, 95% rh non-condensing

Feature Specifications:

Temperature set point range: 50°F to 90°F / 4.4°C to 32.2°C

Separate heat and cool setpoints

Programming days: 7 day

Programming periods: Up to 5 periods per day

Smart Setback (with programming)

Touch-N-Go® feature

Non-Programmable

Auto changeover (may be disabled)

Programmable fan (installer selectable)

Humidity Sensor Offsets

Auto Changeover Timer (installer adjustable)

Smart Recovery (in heating and cooling)

Hold function

Copy functions: Copy period, day, zone

Permanent memory

Humidity display and control

Temperature sensor offsets (indoor and outdoor)

TrueSense™ Dirty Filter Detection with compatible indoor equipment

Wiring Requirements:

Power supply: Dedicated 24VAC, 40 va, 60 Hz, via indoor equipment ABCD Connector. Isolated transformer, field supplied.

Wiring material: Standard thermostat wire 18 to 24 gauge.

EQUIPMENT

DESCRIPTION	PART NO.
Evolution Connex Control (non-Wi-Fi)	SYSTXBBECN01-A
Evolution Connex Control with Wi-Fi	SYSTXBBECC01-A
Evolution Connex Control with Wi-Fi Remote Access Capability & Wireless Access Point	SYSTXBBECW01-A
Evolution® Network Interface Module (NIM)	SYSTXBBNIM01*

- * Required for ventilator control
- * Required for Hybrid Heat applications with non-communicating heat pumps
- * Required for use with 2-stage (non-communicating) AC or HP

OPTIONAL ACCESSORIES

DESCRIPTION	PART NO.
Evolution® Remote Room Sensor (RRS)	SYSTXBBRRS01*
Large Decorative Backplate	SYSTXXXDBP01†
10 Pack Replacement – Green Indoor Unit Plug (ABCD Connector)	SYSTXGRPLG10
Outdoor Sensor	TSTATXXSEN01-B
Wireless Access Point (WAP)	SYSTXXXGWR01
Evolution Remote Access Module, Broadband Cat-5 Wired	SYSTXBBRCT01
Evolution Remote Access Module, Broadband Wi-Fi Wireless	SYSTXBBREF01

- * Not required, but may be used to remote sense indoor room temperature.
- † Backplate dimensions – 5.75-in. (146 mm) wide x 6-in. (152 mm) high.

ZONING EQUIPMENT

DESCRIPTION	PART NO.
Evolution Damper Control Module (4 Zone)	SYSTXBB4ZC01†
Evolution Smart Sensor	SYSTXBBSMS01-E

- * NOTE: Each piece of the zoning equipment is purchased separately allowing for customization of the zoning application.
- † One Damper Control Module for up to 4 zones. A second Damper Control Module is required for zones 5-8.

DAMPER REPLACEMENT ACCESSORIES

DESCRIPTION	PART NO.
45° Actuator for round dampers	DAMPACT45DEG-R
90° Actuator for rectangular dampers	DAMPACT90DEG-R
Damper Control Module 1-amp Fuse	ATO1*

*Available from RC.

DAMPERS

DESCRIPTION	PART NO.	
Round Dampers	6 in.	DAMPRND06INC-B
	8 in.	DAMPRND08INC-B
	10 in.	DAMPRND10INC-B
	12 in.	DAMPRND12INC-B
	14 in.	DAMPRND14INC-B
	16 in.	DAMPRND16INC-B
Rectangular Dampers	8 in. X 10 in.	DAMPREC08X10-B
	8 in. X 14 in.	DAMPREC08X14-B
	8 in. X 18 in.	DAMPREC08X18-B
	8 in. X 24 in.	DAMPREC08X24-B
	10 in. X 10 in.	DAMPREC10X10-B
	10 in. X 14 in.	DAMPREC10X14-B
	10 in. X 18 in.	DAMPREC10X18-B
10 in. X 24 in.	DAMPREC10X24-B	

DAMPERS (CONT.)

DESCRIPTION	PART NO.
Side mount, 8 X 8	DAMP SLS08X08-B
Bottom mount, 8 X 8	DAMP SLB08X08-B
Side mount, 8 X 10	DAMP SLS08X10-B
Bottom mount, 8 X 10	DAMP SLB08X10-B
Side mount, 8 X 12	DAMP SLS08X12-B
Bottom mount, 8 X 12	DAMP SLB08X12-B
Side mount, 8 X 14	DAMP SLS08X14-B
Bottom mount, 8 X 14	DAMP SLB08X14-B
Side mount, 8 X 16	DAMP SLS08X16-B
Bottom mount, 8 X 16	DAMP SLB08X16-B
Side mount, 8 X 18	DAMP SLS08x18-B
Bottom mount, 8 X 18	DAMP SLB08X18-B
Side mount, 8 X 20	DAMP SLS08X20-B
Bottom mount, 8 X 20	DAMP SLB08X20-B
Side mount, 8 X 22	DAMP SLS08X22-B
Bottom mount, 8 X 22	DAMP SLB08X22-B
Side mount, 8 X 24	DAMP SLS08X24-B
Bottom mount, 8 X 24	DAMP SLB08X24-B
Side mount, 10 X 10	DAMP SLS10X10-B
Bottom mount, 10 X 10	DAMP SLB10X10-B
Side mount, 10 X 12	DAMP SLS10X12-B
Bottom mount, 10 X 12	DAMP SLB10X12-B
Side mount, 10 X 14	DAMP SLS10X14-B
Bottom mount, 10 X 14	DAMP SLB10X14-B
Side mount, 10 X 16	DAMP SLS10X16-B
Bottom mount, 10 X 16	DAMP SLB10X16-B
Side mount, 10 X 18	DAMP SLS10X18-B
Bottom mount, 10 X18	DAMP SLB10X18-B
Side mount, 10 X 20	DAMP SLS10X20-B
Bottom mount, 10 X 20	DAMP SLB10X20-B
Side mount, 10 X 22	DAMP SLS10X22-B
Bottom mount, 10 X 22	DAMP SLB10X22-B
Side mount, 10 X 24	DAMP SLS10X24-B
Bottom mount, 10 X 24	DAMP SLB10X24-B
Side mount, 12 X 12	DAMP SLS12X12-B
Bottom mount, 12 X 12	DAMP SLB12X12-B
Side mount, 12 X 14	DAMP SLS12X14-B
Bottom mount, 12 X 14	DAMP SLB12X14-B
Side mount, 12 X 16	DAMP SLS12X16-B
Bottom mount, 12 X 16	DAMP SLB12X16-B
Side mount, 12 X 18	DAMP SLS12X18-B
Bottom mount, 12 X 18	DAMP SLB12X18-B
Side mount, 12 X 20	DAMP SLS12X20-B
Bottom mount, 12 X 20	DAMP SLB12X20-B
Side mount, 14 X 14	DAMP SLS14X14-B
Bottom mount, 14 X 14	DAMP SLB14X14-B
Side mount, 14 X 16	DAMP SLS14X16-B
Bottom mount, 14 X 16	DAMP SLB14X16-B
Side mount, 14 X 20	DAMP SLS14X20-B
Bottom mount, 14 X 20	DAMP SLB14X20-B
Side mount, 16 X 16	DAMP SLS16X16-B
Bottom mount, 16 X 16	DAMP SLB16X16-B
Bottom mount, 16 X 20	DAMP SLB16X20-B

Slip-In Dampers

