



RESIDENTIAL AND LIGHT DUTY COMMERCIAL GAS REPLACEMENT PARTS LIST

**High Performance Energy Saver (GX)
Non-Defender Energy Saver M(1,1,2)(XR)(65,75,100) Gallon
Light Duty Energy Saver Models**



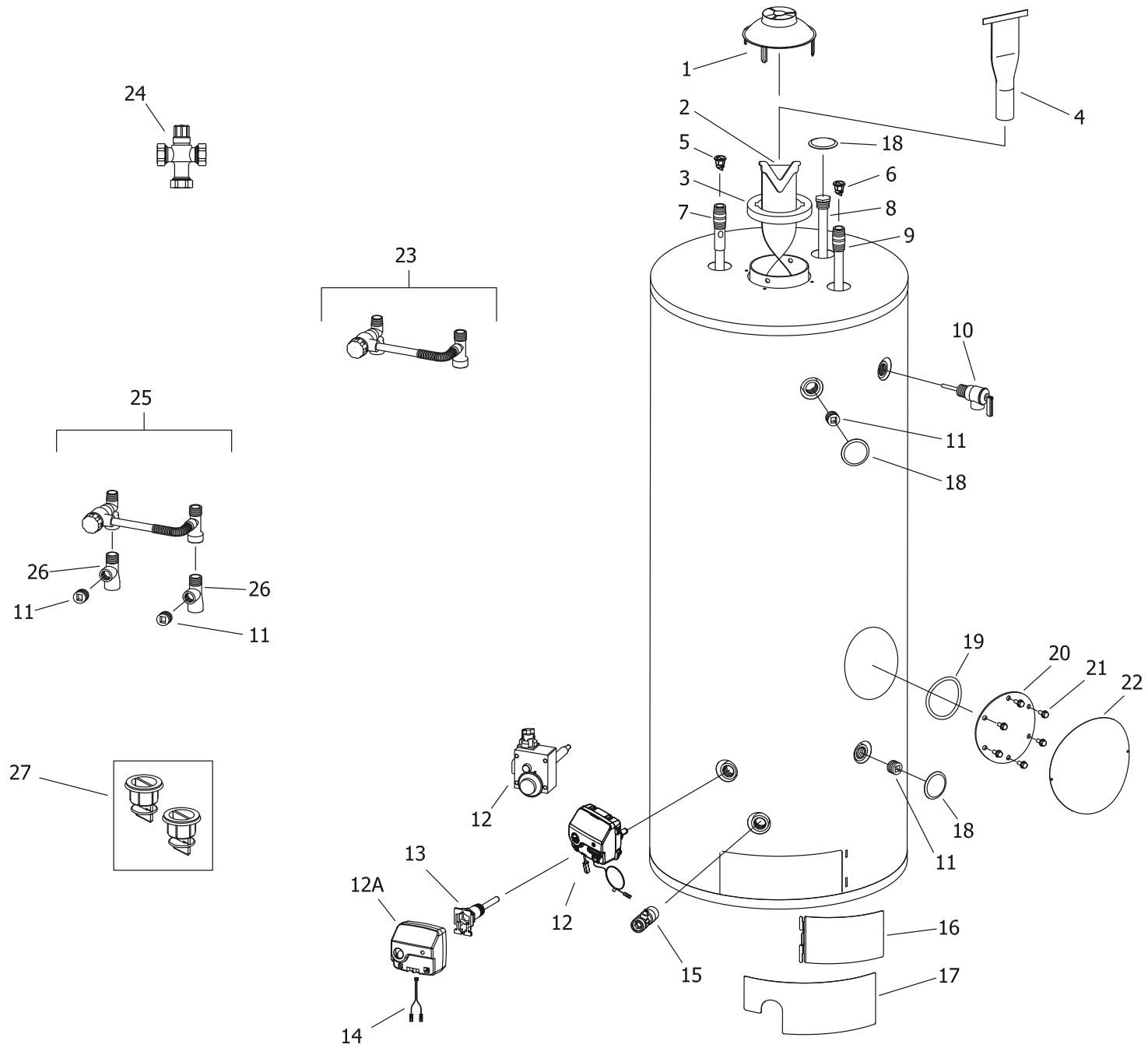
Includes Hydrojet[®]
Total Performance System

***Effective: MARCH, 2012
ECO 7496***

**NOTE: BOTH MODEL AND SERIAL
NUMBERS ARE REQUIRED FOR
ORDERING REPLACEMENT PARTS**

Dimensions and specifications
subject to change without notice.

(GX Model Shown)



Item	Description	Model	Model	Model	Model	Model
		GX225S*(BN,SX)	GX155S*(BN,SX)	M1XR65T*(EN,BN,SX,CX)	MI75S*(BN,SX,CX,CN)	M2XR75S*(BN,SX,CX,CN)
1	Draft Diverter	243-33081-02-20	243-33081-02-20	243-33081-02-20	239-12950-00	239-12950-00
2	Flue Baffle	---	---	243-44649-00	243-42557-00	243-42557-00
3	Flue Reducer	243-42572-00	243-42572-00	243-36920-00	243-36920-00	243-36920-00
4	Flue Core	239-45676-00	239-45676-00	---	---	---
5	Heat Trap Insert (Outlet)	---	---	239-45167-00	---	---
6	Heat Trap Insert (Inlet)	---	---	239-45073-00	---	---
7	Hot Water Outlet Anode Magnesium ²	224-47776-11	224-47776-11	224-47776-08	---	---
	Hot Water Outlet Anode Aluminum ²	224-47778-11	224-47778-11	224-32999-07	---	---
	Hot Water Outlet Anode A420 Aluminum ² #	224-49560-08	224-49560-08	224-49560-08	---	---
8	Plug type Anode Magnesium	224-47782-06	224-47782-06	---	224-47782-07	224-32758-07
	Plug type Anode Aluminum	224-38508-03	224-38508-03	---	224-38508-03	224-38508-03
	Plug type Anode Aluminum (A420) #	224-49559-04	224-49559-04	---	224-49559-04	224-49559-04
9	Cold Water Inlet Diptube Polypropylene ³	---	---	229-39625-08	229-47056-01	229-47056-01
	Cold Water Inlet Diptube Polysulfone (NC Code) ³	229-45092-02	229-45092-02	229-39628-08	229-47040-01	229-47040-01
10	T&P Relief Valve	230-40594-02	230-32920-01	230-32920-01	230-32920-01	230-40594-02
11	3/4" NPT Plug	239-11638-00	239-11638-00	239-11638-00	239-11638-00	239-11638-00
12	White Rodgers Combination Gas Valve Natural Gas	265-47444-02	265-47444-01	265-46181-03	---	---
	White Rodgers Combination Gas Valve LP Gas	265-47445-02	265-47445-01	265-46182-03	---	---
	Gas Control Direct Replacement Natural Gas	---	---	---	239-47463-01 ⁰	239-47463-02 ⁰
	Gas Control Direct Replacement LP Gas	---	---	---	239-47465-02 ⁰	239-47465-02 ⁰
12A	Honeywell Combination Gas Valve Natural Gas (with service tool)	---	---	---	239-46990-01 ¹	239-46990-01 ¹
	Honeywell Combination Gas Valve LP Gas (with service tool)	---	---	---	239-46991-01 ¹	239-46991-01 ¹
13	Thermowell	---	---	---	233-45651-01 ¹	233-45651-02 ¹
14	Intermediate Harness	---	---	---	239-46995-00 ¹	239-46995-00 ¹
15	Brass Drain Valve	265-42351-02	265-42351-02	265-42351-02	265-42351-02	265-42351-02
16	Inner Door Complete	243-46049-00	243-46049-00	243-36739-02	243-39207-00	243-39207-00
17	Outer Door	243-41061-00	243-41061-00	243-41061-00	243-37177-00	243-37177-00
18	Hole Closure	239-31547-02	239-31547-02	239-31547-02	239-31547-02	239-31547-02
19	Cleanout O-Ring Gasket	---	---	---	---	---
20	Cleanout Cover	---	---	---	---	---
21	Cleanout Cover Screw (Qty. 6)	---	---	---	---	---
22	Cleanout Access Cover	---	---	---	---	---
23	Kit-Intergrated Mixing Device (The Optimizer)	239-47865-00	239-47865-00	---	---	---
24	ASSE Approved Mixing Device (optional)	---	---	239-43740-01	239-43740-02	239-43740-01
25	Kit-Alternate Temperature Water Outlet	---	---	---	---	---
26	Street Tee 3/4" NPT	---	---	---	---	---
27	Kit-Heat Trap Insert	---	---	265-45420-00	---	---

*All warranties

**Ordering a complete burner assy may increase delivery time.

Please order the specific component req'd for the quickest delivery

A420 Anode may need to be cut to length

⁰ Serial # prior to EF10694503

¹ Serial # EF10694504 and after

² Order with item 5

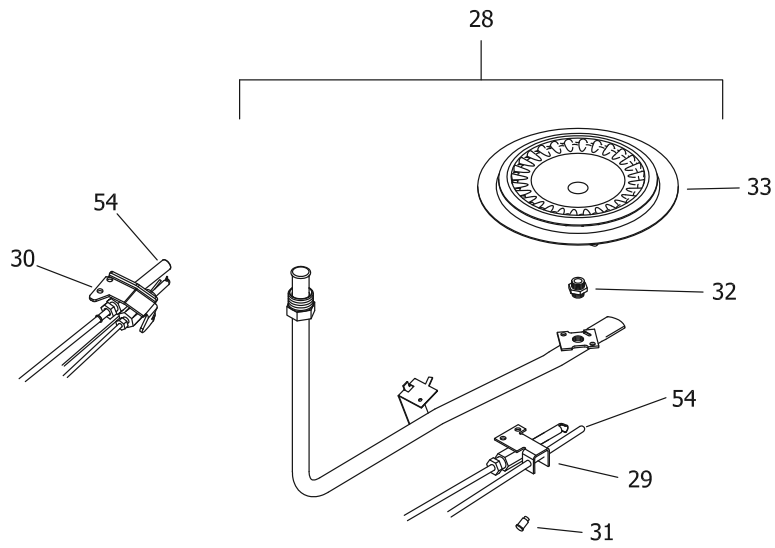
⁴ Serial # prior to FE11932653

³ Order with item 6

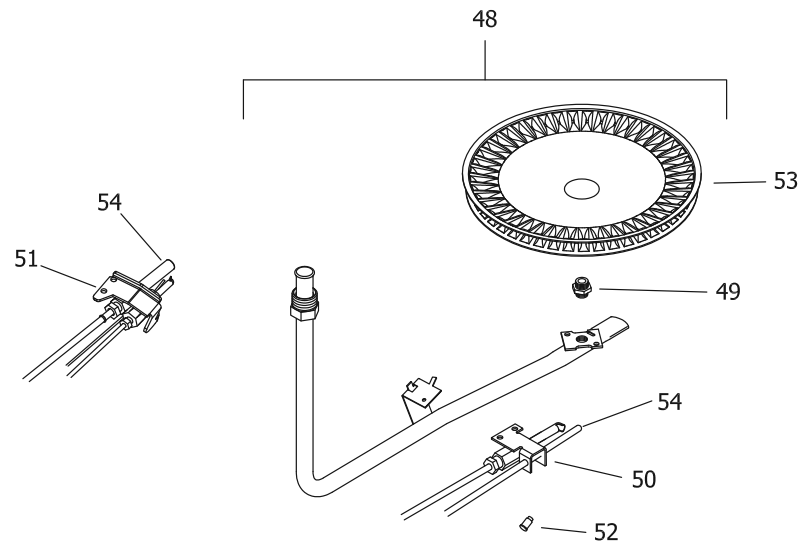
⁵ Serial # FE11932654 to FM12747340

▲ Use gas control direct replacement ⁶ Serial # FM12747341 and after.

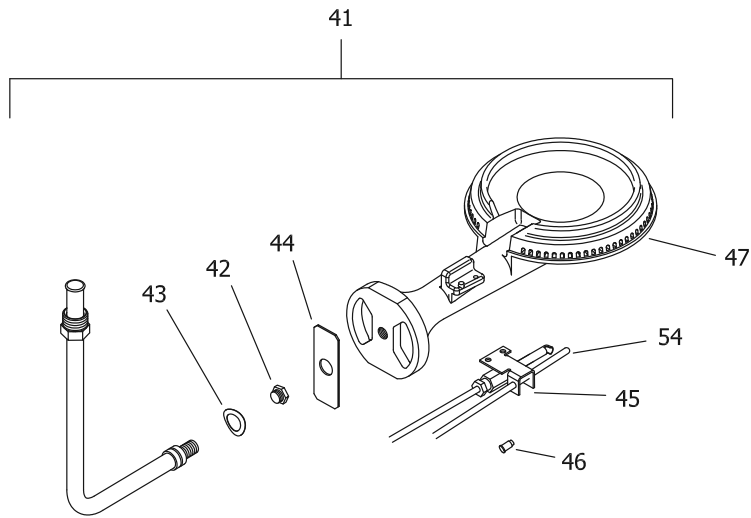




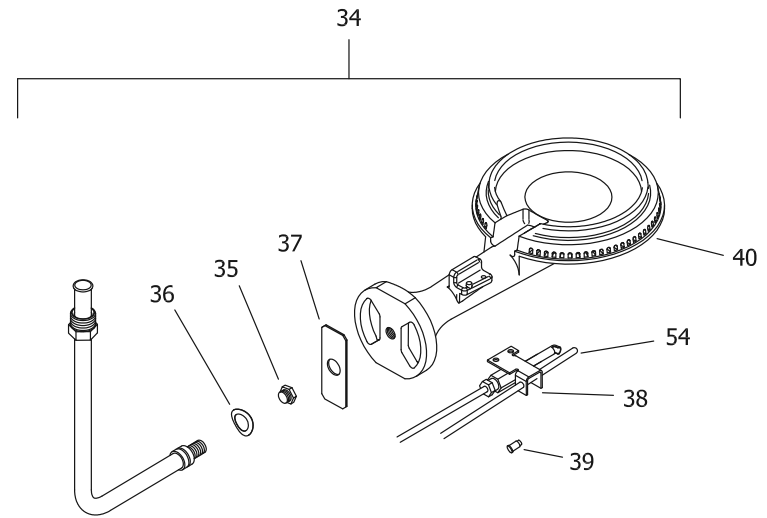
NATURAL GAS (BN) BURNER ASSEMBLY



LP GAS (SX) BURNER ASSEMBLY



NATURAL GAS (CN) BURNER ASSEMBLY



LP GAS (CX) BURNER ASSEMBLY

LP GAS (SX) BURNER ASSEMBLY TO REPLACE LP GAS (CX) BURNER ASSEMBLY
ON ALL MODELS EXCEPT 75 & 100 GAL. MODELS

Item	Description	Model GX225S*(BN,SX)	Model GX155S*(BN,SX)	Model M1XR65T*(EN,BN,SX,CX)	Model MI75S*(BN,SX,CX,CN)	Model M2XR75S*(BN,SX,CX,CN)
Natural Gas BN Burner Assembly						
28	Nat. Gas Burner Assembly Complete (Honeywell)**	---	---	---	265-46998-03-22 ¹	265-46998-01-22 ¹
	Nat. Gas Burner Assembly Complete (White Rodgers)**	265-46004-01-21	265-46004-03-20	265-47439-08-27	265-43979-02-22 ⁰	265-43979-03-21 ⁰
	Nat. Gas Burner Assembly Complete (Honeywell)**	---	---	---	---	---
29	Nat. Gas Pilot Assembly (White Rodgers)	233-40248-05	233-40248-05	233-40248-05	233-40248-05 ⁰	233-40248-05 ⁰
30	Nat. Gas Pilot Assembly Kit (Honeywell)	---	---	---	239-47449-01 ¹	239-47449-01 ¹
31	Nat. Gas Pilot Orifice (Honeywell)	---	---	---	234-47098-01 ¹	234-47098-01 ¹
	Nat. Gas Pilot Orifice (White Rodgers)	234-46502-03	234-46502-03	234-46502-03	234-46502-03 ⁰	234-46502-03 ⁰
32	Nat. Gas Main Burner Orifice (0ft to 2000ft)	234-41034-21	234-41034-20	234-41034-27	234-41034-22	234-41034-22
	Nat. Gas High Altitude (2001ft to 5000ft)	234-41034-24	234-41034-22	234-41034-29	234-41034-26	234-41034-26
	Nat. Gas High Altitude (5001ft to 8000ft)	234-41034-24	234-41034-22	234-41034-30	234-41034-26	234-41034-26
	Nat. Gas High Altitude (8001ft & above)	234-41034-28	234-41034-27	234-41034-31	234-41034-30	234-41034-30
33	Nat. Gas Burner	228-42506-00	228-42506-00	228-42506-00	228-42506-00	228-42506-00
LP Gas CX Burner Assembly						
34	LP Gas Cast Iron Burner Assembly Complete **	---	---	SEE ITEM 50	265-41876-32-38 ⁰	265-41876-32-38 ⁰
35	LP Gas Main Burner Orifice (0ft to 2000ft)	---	---	SEE ITEM 50	234-35928-38 ⁰	234-35928-38 ⁰
	LP Gas High Altitude (2001ft to 5000ft)	---	---	SEE ITEM 50	234-35928-42 ⁰	234-35928-42 ⁰
	LP Gas High Altitude (5001ft to 8000ft)	---	---	SEE ITEM 50	234-35928-43 ⁰	234-35928-43 ⁰
	LP Gas High Altitude (8001ft & above)	---	---	SEE ITEM 50	234-35928-43 ⁰	234-35928-43 ⁰
36	Spring Washer	---	---	SEE ITEM 50	239-40729-00	239-40729-00
37	Air Shutter	---	---	SEE ITEM 50	239-35466-00	239-35466-00
38	LP Gas Pilot Assembly	---	---	SEE ITEM 50	233-40261-03 ⁰	233-40261-03 ⁰
39	LP Gas Pilot Orifice	---	---	SEE ITEM 50	234-46502-01 ⁰	234-46502-01 ⁰
40	LP Gas Cast Iron Burner	---	---	SEE ITEM 50	228-14173-00 ⁰	228-14173-00 ⁰

*All warranties

**Ordering a complete burner assy may increase delivery time.

Please order the specific component req'd for the quickest delivery

⁰ Serial # prior to EF10694503

¹ Serial # EF10694504 and after

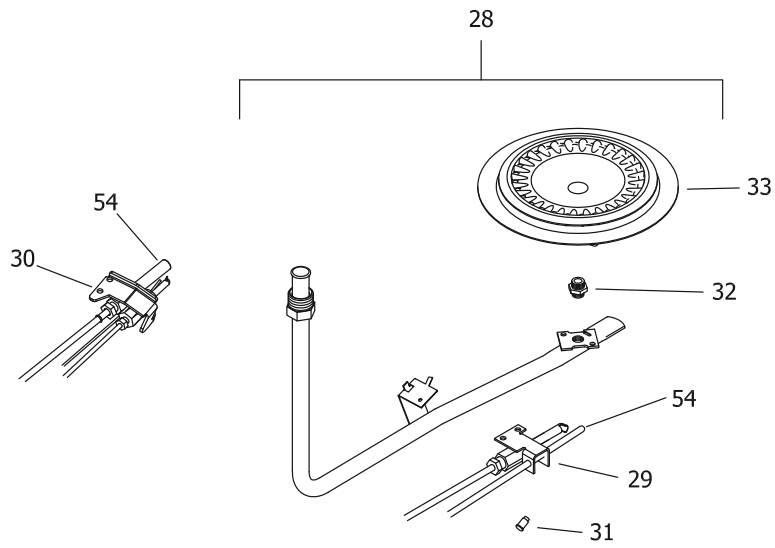
² Order with item 5

⁴ Serial # prior to FE11932653

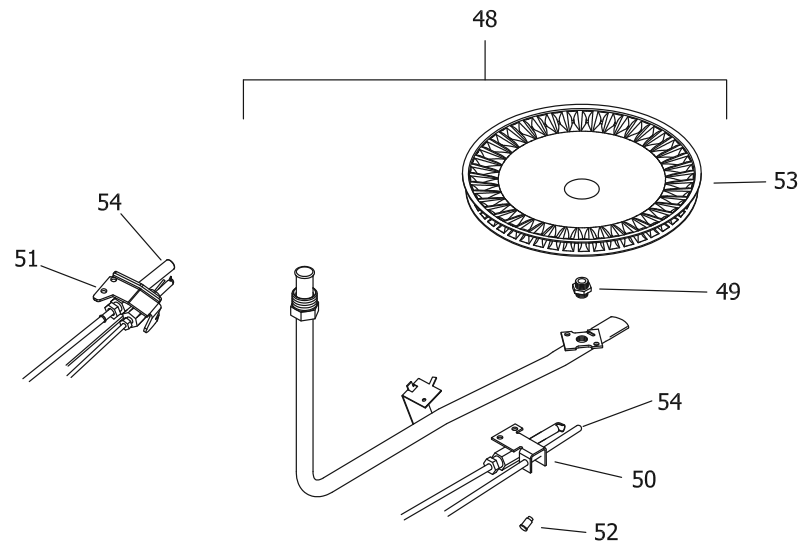
³ Order with item 6

⁵ Serial # FE11932654 to FM12747340

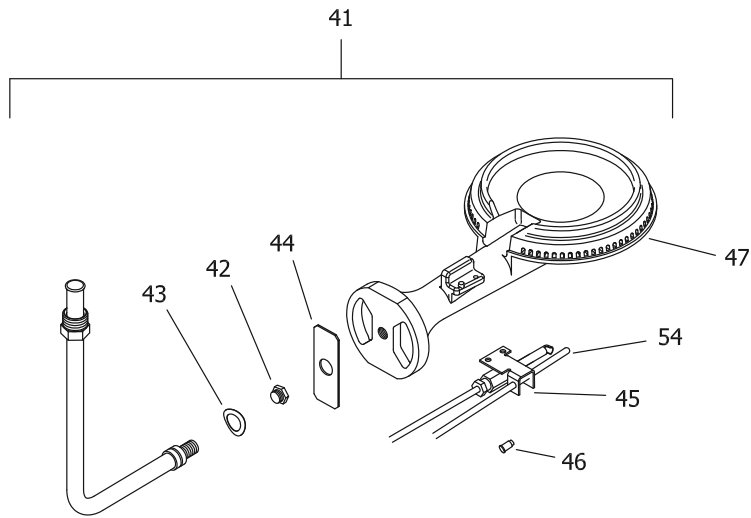
⁶ Serial FM12747341 and after.



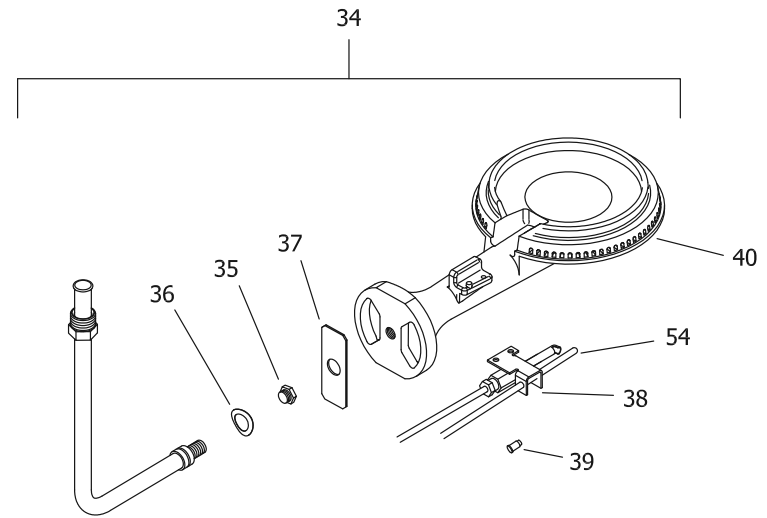
NATURAL GAS (BN) BURNER ASSEMBLY



LP GAS (SX) BURNER ASSEMBLY



NATURAL GAS (CN) BURNER ASSEMBLY



LP GAS (CX) BURNER ASSEMBLY

LP GAS (SX) BURNER ASSEMBLY TO REPLACE LP GAS (CX) BURNER ASSEMBLY
ON ALL MODELS EXCEPT 75 & 100 GAL. MODELS

Item	Description	Model GX225S*(BN,SX)	Model GX155S*(BN,SX)	Model M1XR65*(EN,BN,SX,CX)	Model MI75S*(BN,SX,CX,CN)	Model M2XR75S*(BN,SX,CX,CN)
Natural Gas CN Burner Assembly						
41	Nat. Gas Cast Iron Burner Assembly Complete **	---	---	---	265-36084-37-24	265-41870-16-24
42	Nat. Gas Main Burner Orifice (0ft to 2000ft)	---	---	---	234-18194-24	234-18194-24
	Nat. Gas High Altitude (2001ft to 5000ft)	---	---	---	234-18194-26	234-18194-26
	Nat. Gas High Altitude (5001ft to 8000ft)	---	---	---	234-18194-26	234-18194-26
	Nat. Gas High Altitude (8001ft & above)	---	---	---	234-18194-30	234-18194-30
43	Spring Washer	---	---	---	239-40729-00	239-40729-00
44	Air Shutter	---	---	---	239-35466-00	239-35466-00
45	Nat. Gas Pilot Assembly	---	---	---	233-40248-05	233-40248-05
46	Nat. Gas Pilot Orifice	---	---	---	234-46502-03	234-46502-03
47	Nat. Gas Cast Iron Burner	---	---	---	228-14173-00	228-14173-00
LP Gas SX Burner Assembly						
48	LP Gas Burner Assembly Complete**	265-47037-01-38	265-47037-03-38	265-47440-14-43	265-47011-03-38	265-47011-02-38
	LP Gas Burner Assembly Complete**	---	---	---	---	---
49	LP Gas Main Burner Orifice (0ft to 2000ft)	234-47064-38	234-47064-38	234-47064-43	234-47064-38	234-47064-38
	LP Gas High Altitude (2001ft to 5000ft)	234-47064-42	234-47064-42	234-47064-44	234-47064-42	234-47064-42
	LP Gas High Altitude (5001ft to 8000ft)	234-47064-43	234-47064-43	234-47064-47	234-47064-43	234-47064-43
	LP Gas High Altitude (8001ft & above)	234-47064-43	234-47064-43	234-47064-47	234-47064-43	234-47064-43
50	LP Gas Pilot Assembly (White Rodgers)	233-40261-03	233-40261-03	233-40261-03	---	---
51	Kit-LP Gas Pilot Assembly (Honeywell)	---	---	---	239-47449-02 ¹	233-47449-02 ¹
52	LP Gas Pilot Orifice	233-46502-01	234-46502-01	234-46502-01	234-47098-02 ¹	234-47098-02 ¹
53	LP Gas SX Burner	228-46938-00	228-46938-00	228-47000-00	228-46938-00 ¹	228-46938-00 ¹
54	Kit-Thermopile	---	---	---	239-47446-00 ¹	239-47446-00 ¹
	Thermocouple	233-46501-24	233-46501-24	233-46501-24	233-46501-24 ⁰	233-46501-24 ⁰
	Kit-LP to NAT conversion (0ft to 2000ft)	265-45713-03	265-45713-04	265-45713-01	265-47452-01	265-47452-03
	Kit-LP to NAT conversion (2000ft to 5000ft)	265-45713-05	265-45713-06	265-45713-02	265-47452-02	265-47452-04

*All warranties

**Ordering a complete burner assy may increase delivery time.

Please order the specific component req'd for the quickest delivery

⁰ Serial # prior to EF10694503

¹ Serial # EF10694504 and after

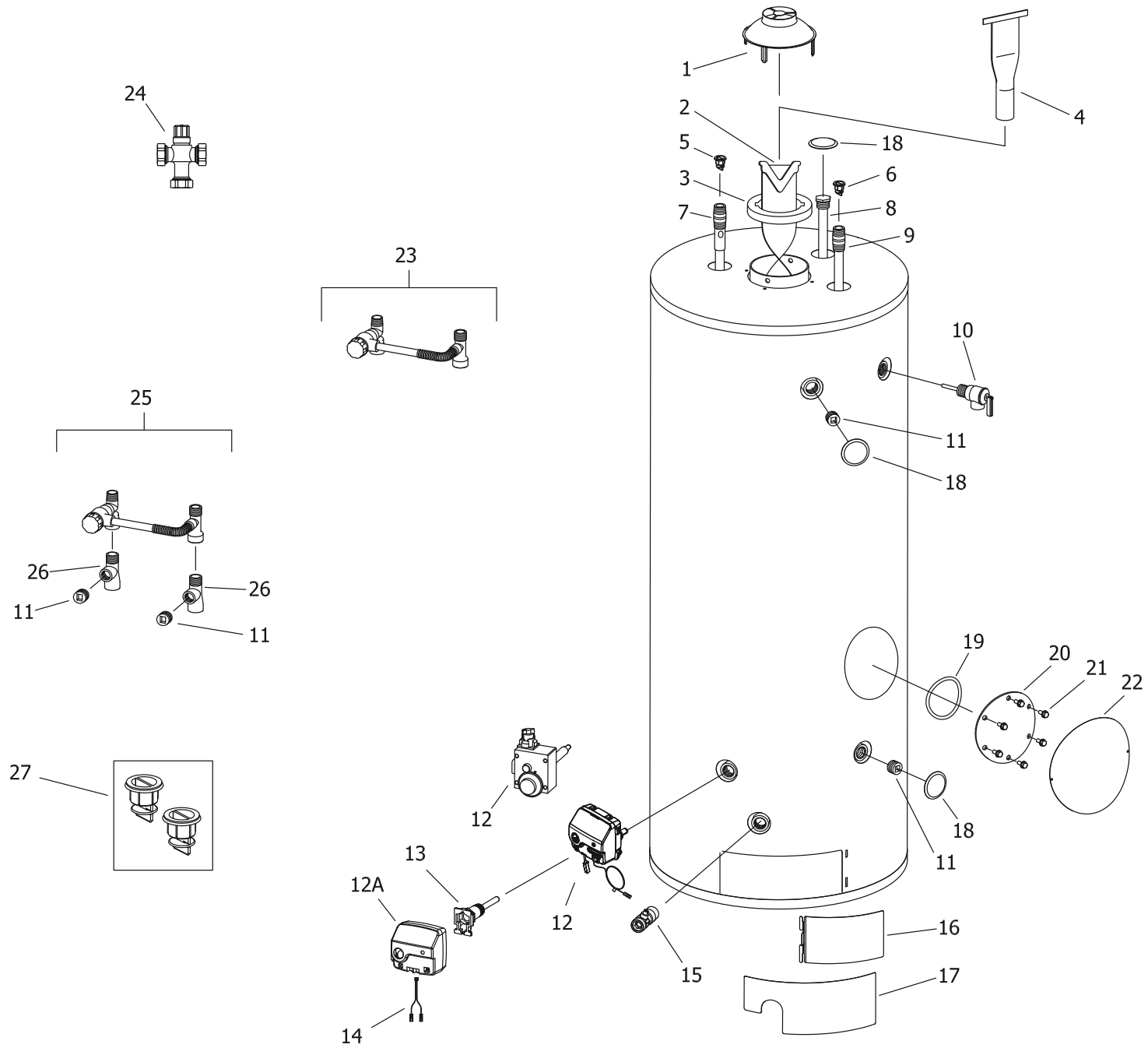
² Order with item 5

⁴ Serial # prior to FE11932653

³ Order with item 6

⁵ Serial # FE11932654 to FM12747340

⁶ Serial FM12747341 and after.



Item	Description	Model	Model	Model	Model	Model	Model
		MI100T*(BN,CX,CN)	25X78(B,S)3(N,X)	55X80(B,S)3(N,X)	65T65*(B,E)*(N,X)	75T80*(B,S)*(N,X)	100T88*(B)*(N,X)
1	Draft Diverter	243-33081-01-20	243-33081-02-20	243-33081-02-20	243-33081-02-20	239-12950-00	243-33081-01-20
2	Flue Baffle	---	---	---	243-44649-00	243-42557-00	---
3	Flue Reducer	243-36920-00	243-42572-00	243-42572-00	243-36920-00	243-36920-00	243-36920-00
4	Flue Core	---	239-45676-00	239-45676-00	---	---	---
5	Heat Trap Insert (Outlet)	---	---	---	239-45167-00	---	---
6	Heat Trap Insert (Inlet)	---	---	---	239-45073-00	---	---
7	Hot Water Outlet Anode Magnesium ²	---	224-47776-11	224-47776-11	224-47776-08	---	---
	Hot Water Outlet Anode Aluminum ²	---	224-47778-11	224-47778-11	224-47778-06	---	---
	Hot Water Outlet Anode A420 Aluminum ² #	---	224-49560-08	224-49560-08	224-49560-08	---	---
8	Plug type Anode Magnesium	224-47782-08	224-47782-06	224-47782-06	---	224-47782-07	224-47782-07
	Plug type Anode Aluminum	224-38508-07	224-38508-03	224-38508-03	---	224-38508-01	224-38508-07
	Plug type Anode Aluminum (A420) #	224-49559-04	224-49559-04	224-49559-04	224-49559-04	224-49559-04	224-49559-04
9	Cold Water Inlet Diptube Polypropylene ³	---	---	---	229-39625-04	229-47056-01	---
	Cold Water Inlet Diptube Polysulfone (NC Code) ³	229-46993-01	229-45092-02	229-45092-02	229-39628-04	229-47040-01	229-46993-01
10	T&P Relief Valve	230-40594-02	230-40594-02	230-40594-02	230-32920-01	230-40594-02	230-40594-02
11	3/4" NPT Plug	239-11638-00	239-11638-00	239-11638-00	239-11638-00	239-11638-00	239-11638-00
12	White Rodgers Combination Gas Valve Natural Gas	265-40251-07 ⁴ ▲	265-47444-02	265-47444-01	265-46365-01	265-46365-02 ⁰ ▲	265-46365-04 ⁰ ▲
	White Rodgers Combination Gas Valve LP Gas	265-40258-06 ⁴ ▲	265-47445-02	265-47445-01	265-46366-01	265-46366-02 ⁰ ▲	265-46366-03 ⁰ ▲
	Gas Control Direct Replacement Natural Gas	239-47463-02 ⁶	---	---	---	239-47464-02 ⁶	239-47464-02 ⁶
	Gas Control Direct Replacement LP Gas	239-47465-02 ⁶	---	---	---	239-47466-02 ⁶	239-47466-02 ⁶
12A	Honeywell Combination Gas Valve Natural Gas (with service tool)	239-46990-01 ⁵	---	---	---	239-46990-02 ¹	239-46990-02 ⁵
	Honeywell Combination Gas Valve LP Gas (with service tool)	239-46991-01 ⁵	---	---	---	239-46991-02 ¹	239-46991-02 ⁵
13	Thermowell	233-45651-02 ⁵	---	---	---	233-45651-02 ¹	233-45651-02 ⁵
14	Intermediate Harness	239-46995-00 ⁵	---	---	---	239-46995-00 ¹	239-46995-00 ⁵
15	Brass Drain Valve	265-42351-04	265-42351-02	265-42351-02	265-42351-02	265-42351-02	265-42351-04
16	Inner Door Complete	243-39207-00	243-46049-00	243-46049-00	243-36739-02	243-39207-00	243-39207-00
17	Outer Door	243-37177-00	243-41061-00	243-41061-00	243-41061-00	243-37177-00	243-37177-00
18	Hole Closure	239-31547-02	239-31547-02	239-31547-02	239-31547-02	239-31547-02	239-31547-02
19	Cleanout O-Ring Gasket	205-18427-00	---	---	---	---	205-18427-00
20	Cleanout Cover	205-18428-00	---	---	---	---	205-18428-00
21	Cleanout Cover Screw (Qty. 6)	239-82166-00	---	---	---	---	239-82166-00
22	Cleanout Access Cover	243-20299-00	---	---	---	---	243-20299-00
23	Kit-Intergrated Mixing Device (The Optimizer)	---	239-47865-00	239-47865-00	---	---	---
24	ASSE Approved Mixing Device (optional)	239-43740-01	---	---	239-43740-01	239-43740-01	239-43740-01
25	Kit-Alternate Temperature Water Outlet	---	243-46414-02	243-46414-02	---	---	---
26	Street Tee 3/4" NPT	---	239-46332-00	239-46332-00	---	---	---
27	Kit-Heat Trap Insert	---	265-45420-00	265-45420-00	265-45420-00	---	---

*All warranties

**Ordering a complete burner assy may increase delivery time.

Please order the specific component req'd for the quickest delivery

A420 Anode may need to be cut to length

⁰ Serial # prior to EF10694503

¹ Serial # EF10694504 and after

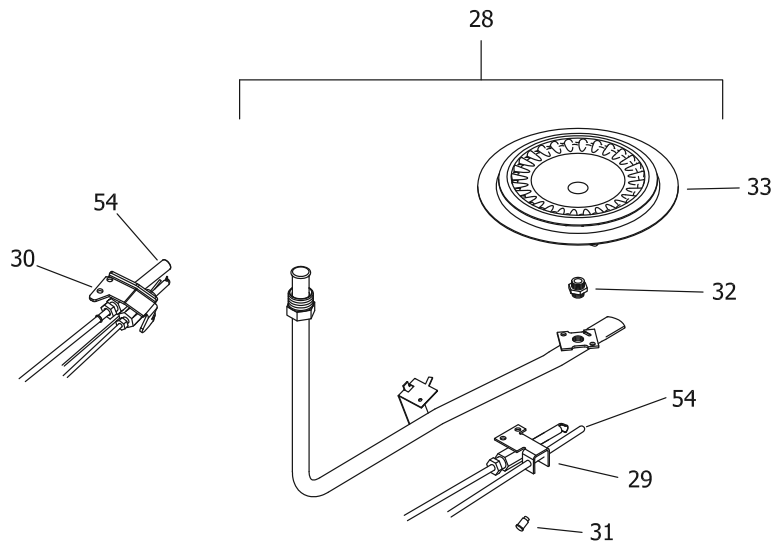
² Order with item 5

⁴ Serial # prior to FE11932653

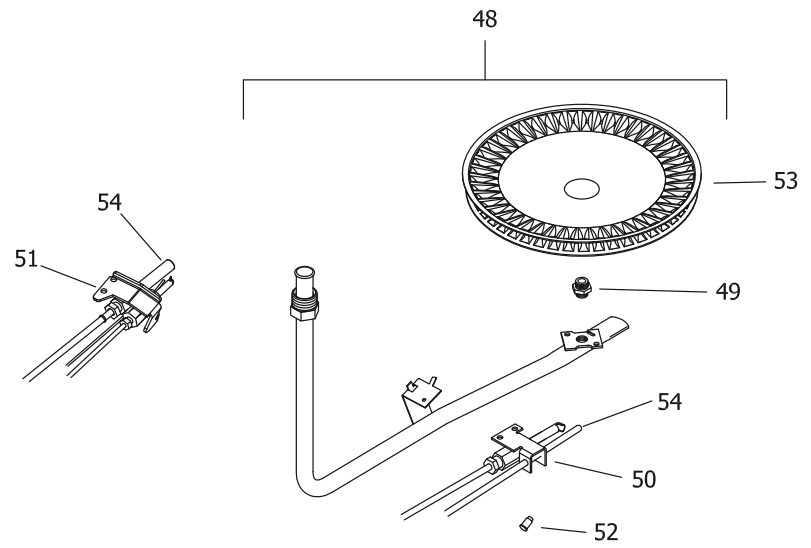
³ Order with item 6

⁵ Serial # FE11932654 to FM12747340

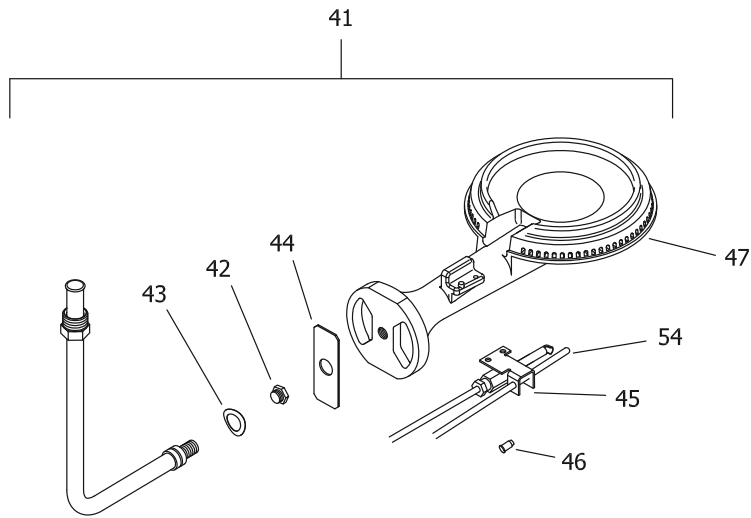
▲ Use gas control direct replacement ⁶ Serial # FM12747341 and after.



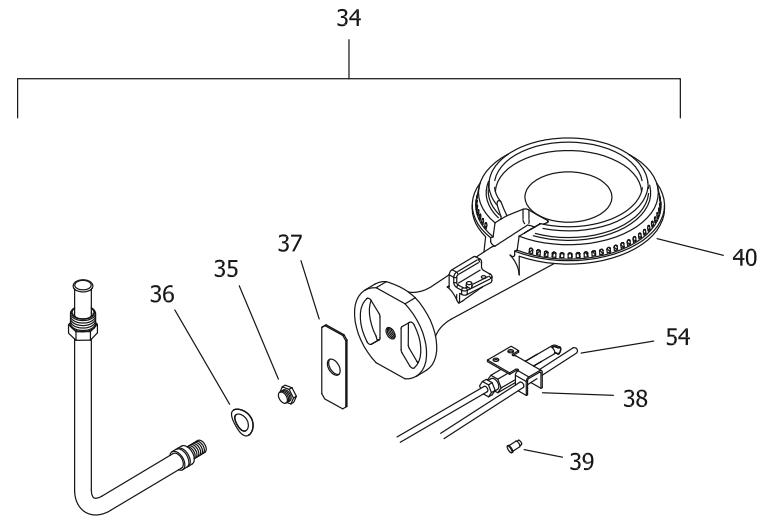
NATURAL GAS (BN) BURNER ASSEMBLY



LP GAS (SX) BURNER ASSEMBLY



NATURAL GAS (CN) BURNER ASSEMBLY



LP GAS (CX) BURNER ASSEMBLY

LP GAS (SX) BURNER ASSEMBLY TO REPLACE LP GAS (CX) BURNER ASSEMBLY
ON ALL MODELS EXCEPT 75 & 100 GAL. MODELS

Item	Description	Model	Model	Model	Model	Model	Model
		MI100T*(BN,CX,CN)	25X78(B,S)3(N,X)	55X80(B,S)3(N,X)	65T65*(B,E)*(N,X)	75T80*(B,S)*(N,X)	100T88*(B)*(N,X)
Natural Gas BN Burner Assembly							
28	Nat. Gas Burner Assembly Complete (Honeywell)**	265-46998-02-20 ³	---	---	---	265-46998-01-22	265-46998-02-20 ⁵
	Nat. Gas Burner Assembly Complete (White Rodgers)**	265-43979-01-20 ⁴	265-46004-01-21	265-46004-03-20	265-47439-08-27	265-43979-03-21	265-43979-01-20 ⁴
	Nat. Gas Burner Assembly Complete (Honeywell)**	265-48252-01-20 ⁶	---	---	---	---	265-48252-01-20 ⁶
29	Nat. Gas Pilot Assembly (White Rodgers)	233-40248-05 ⁴	233-40248-05	233-40248-05	233-40248-05	233-40248-05	233-40248-05 ⁴
30	Nat. Gas Pilot Assembly Kit (Honeywell)	233-46988-04 ⁵	---	---	---	239-47449-01	233-46988-04 ⁵
31	Nat. Gas Pilot Orifice (Honeywell)	234-47098-01 ⁵	---	---	---	234-47098-01	234-47098-01 ⁵
	Nat. Gas Pilot Orifice (White Rodgers)	234-46502-03 ⁴	234-46502-03	234-46502-03	234-46502-03	234-46502-03	234-46502-03 ⁴
32	Nat. Gas Main Burner Orifice (0ft to 2000ft)	234-41034-20	234-41034-21	234-41034-20	234-41034-27	234-41034-22	234-41034-20
	Nat. Gas High Altitude (2001ft to 5000ft)	234-41034-22	234-41034-24	234-41034-22	234-41034-29	234-41034-26	234-41034-22
	Nat. Gas High Altitude (5001ft to 8000ft)	234-41034-22	234-41034-24	234-41034-22	234-41034-30	234-41034-26	234-41034-22
	Nat. Gas High Altitude (8001ft & above)	234-41034-27	234-41034-28	234-41034-27	234-41034-31	234-41034-30	234-41034-27
33	Nat. Gas Burner	228-42506-00	228-42506-00	228-42506-00	228-42506-00	228-42506-00	228-42506-00
LP Gas CX Burner Assembly							
34	LP Gas Cast Iron Burner Assembly Complete **	265-41876-27-35 ⁴	---	---	SEE ITEM 50	265-41876-24-38	265-41876-27-35 ⁴
35	LP Gas Main Burner Orifice (0ft to 2000ft)	234-35928-35 ⁴	---	---	SEE ITEM 50	234-35928-38	234-35928-35 ⁴
	LP Gas High Altitude (2001ft to 5000ft)	234-35928-39 ⁴	---	---	SEE ITEM 50	234-35928-42	234-35928-39 ⁴
	LP Gas High Altitude (5001ft to 8000ft)	234-35928-40 ⁴	---	---	SEE ITEM 50	234-35928-43	234-35928-40 ⁴
	LP Gas High Altitude (8001ft & above)	234-35928-41 ⁴	---	---	SEE ITEM 50	234-35928-43	234-35928-41 ⁴
36	Spring Washer	239-40729-00 ⁴	---	---	SEE ITEM 50	239-40729-00	239-40729-00 ⁴
37	Air Shutter	239-35466-00 ⁴	---	---	SEE ITEM 50	239-35466-00	239-35466-00 ⁴
38	LP Gas Pilot Assembly	233-40261-03 ⁴	---	---	SEE ITEM 50	233-40261-03	233-40261-03 ⁴
39	LP Gas Pilot Orifice	234-46502-01 ⁴	---	---	SEE ITEM 50	234-46502-01	234-46502-01 ⁴
40	LP Gas Cast Iron Burner	228-14173-00 ⁴	---	---	SEE ITEM 50	228-14173-00	228-14173-00 ⁴

*All warranties

**Ordering a complete burner assy may increase delivery time.

Please order the specific component req'd for the quickest delivery

⁰ Serial # prior to EF10694503

¹ Serial # EF10694504 and after

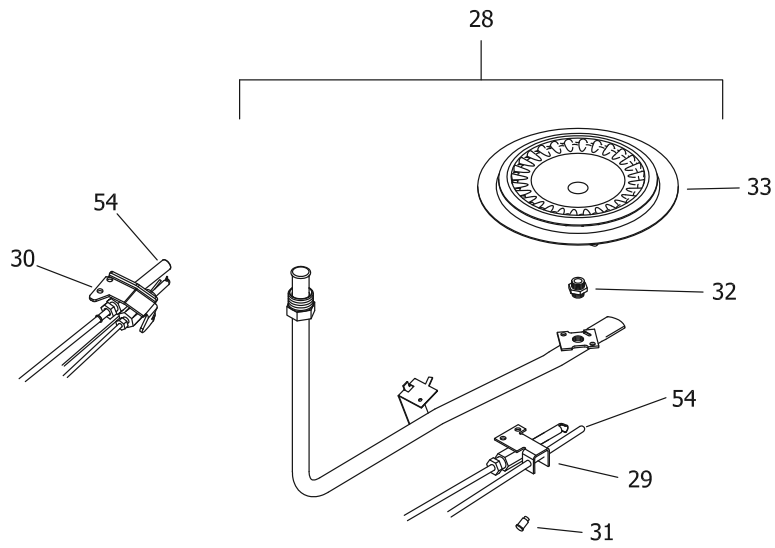
² Order with item 5

⁴ Serial # prior to FE11932653

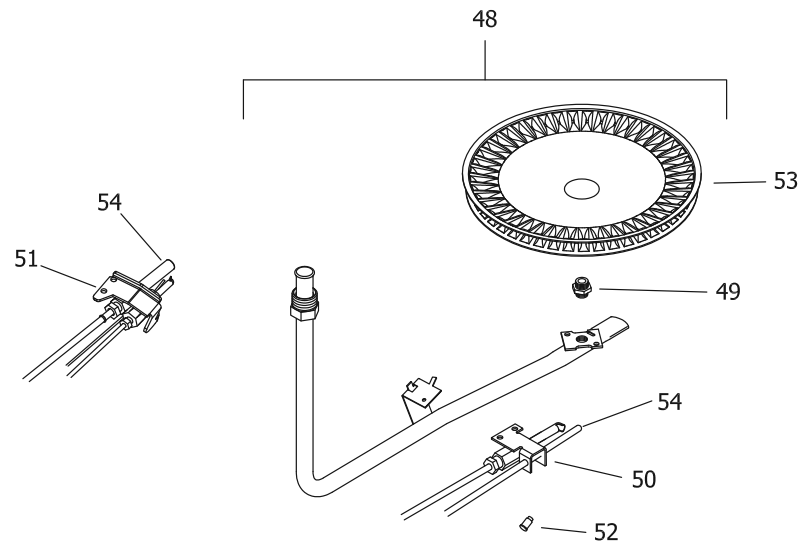
³ Order with item 6

⁵ Serial # FE11932654 to FM12747340

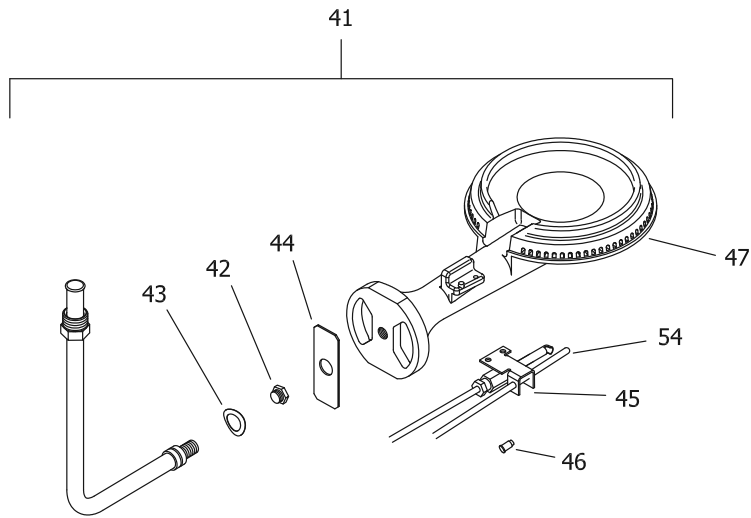
⁶ Serial FM12747341 and after.



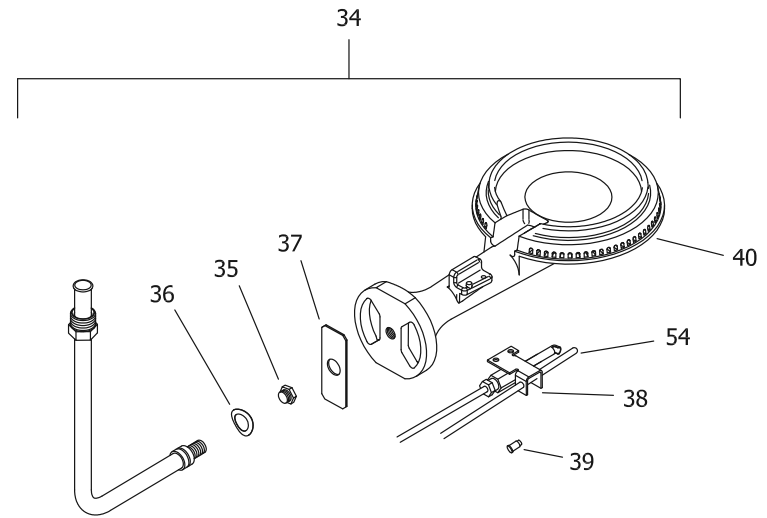
NATURAL GAS (BN) BURNER ASSEMBLY



LP GAS (SX) BURNER ASSEMBLY



NATURAL GAS (CN) BURNER ASSEMBLY



LP GAS (CX) BURNER ASSEMBLY

LP GAS (SX) BURNER ASSEMBLY TO REPLACE LP GAS (CX) BURNER ASSEMBLY
ON ALL MODELS EXCEPT 75 & 100 GAL. MODELS

Item	Description	Model	Model	Model	Model	Model	Model
		MI100T*(BN,CX,CN)	25X78(B,S)3(N,X)	55X80(B,S)3(N,X)	65T65*(B,E)*(N,X)	75T80*(B,S)*(N,X)	100T88*(B)*(N,X)
Natural Gas CN Burner Assembly							
41	Nat. Gas Cast Iron Burner Assembly Complete **	265-41870-22-19	---	---	---	265-41870-17-22	265-41870-22-19
42	Nat. Gas Main Burner Orifice (0ft to 2000ft)	234-18194-19	---	---	---	234-18194-22	234-18194-19
	Nat. Gas High Altitude (2001ft to 5000ft)	234-18194-22	---	---	---	234-18194-27	234-18194-22
	Nat. Gas High Altitude (5001ft to 8000ft)	234-18194-22	---	---	---	234-18194-27	234-18194-22
	Nat. Gas High Altitude (8001ft & above)	234-18194-26	---	---	---	234-18194-31	234-18194-26
43	Spring Washer	239-40729-00	---	---	---	239-40729-00	239-40729-00
44	Air Shutter	239-35466-00	---	---	---	239-35466-00	239-35466-00
45	Nat. Gas Pilot Assembly	233-40248-05	---	---	---	233-40248-05	233-40248-05
46	Nat. Gas Pilot Orifice	234-46502-03	---	---	---	234-46502-03	234-46502-03
47	Nat. Gas Cast Iron Burner	228-14173-00	---	---	---	228-14173-00	228-14173-00
LP Gas SX Burner Assembly							
48	LP Gas Burner Assembly Complete**	265-47011-01-35 ⁵	265-47037-01-38	265-47037-03-38	265-47440-14-43	265-47011-02-38	265-47011-01-35 ⁵
	LP Gas Burner Assembly Complete**	265-48255-01-35 ⁶	---	---	---	---	265-48255-01-35 ⁶
49	LP Gas Main Burner Orifice (0ft to 2000ft)	234-47064-35 ⁵	234-47064-38	234-47064-38	234-47064-43	234-47064-38	234-47064-35 ⁵
	LP Gas High Altitude (2001ft to 5000ft)	234-47064-39 ⁵	234-47064-42	234-47064-42	234-47064-44	234-47064-42	234-47064-39 ⁵
	LP Gas High Altitude (5001ft to 8000ft)	234-47064-40 ⁵	234-47064-43	234-47064-43	234-47064-47	234-47064-43	234-47064-40 ⁵
	LP Gas High Altitude (8001ft & above)	234-47064-41 ⁵	234-47064-43	234-47064-43	234-47064-47	234-47064-43	234-47064-41 ⁵
50	LP Gas Pilot Assembly (White Rodgers)	---	233-40261-03	233-40261-03	233-40261-03	---	---
51	Kit-LP Gas Pilot Assembly (Honeywell)	233-46989-04 ⁵	---	---	---	239-47449-02	233-46989-04 ⁵
52	LP Gas Pilot Orifice	234-47098-02 ⁵	234-46502-01	234-46502-01	234-46502-01	234-47098-02	234-47098-02 ⁵
53	LP Gas SX Burner	228-46938-00 ⁵	228-46938-00	228-46938-00	228-47000-00	228-46938-00	228-46938-00 ⁵
54	Kit-Thermopile	---	---	---	---	239-47446-00	---
	Thermocouple	233-46501-24	233-46501-24	233-46501-24	233-46501-24	233-46501-24	233-46501-24 ⁵
	Kit-LP to NAT conversion (0ft to 2000ft)	265-47452-08 ⁵	265-45713-03	265-45713-04	---	265-47452-05	265-47452-07 ⁵
	Kit-LP to NAT conversion (2000ft to 5000ft)	265-47452-10 ⁵	265-45713-05	265-45713-06	---	265-47452-06	265-47452-09 ⁵

*All warranties

**Ordering a complete burner assy may increase delivery time.

Please order the specific component req'd for the quickest delivery

⁰ Serial # prior to EF10694503

¹ Serial # EF10694504 and after

² Order with item 5

⁴ Serial # prior to FE11932653

³ Order with item 6

⁵ Serial # FE11932654 to FM12747340

⁶ Serial FM12747341 and after.



BRADFORD WHITE®

W A T E R H E A T E R S

Ambler, PA

For U.S. and Canada field service,
contact your professional installer or
local Bradford White sales representative.

Sales/800-523-2931
Fax/215-641-1670
Parts Fax/215-641-2180

Technical Support/800-334-3393
Fax/269-795-1089

Warranty/800-531-2111
Fax/269-795-1089

International:
Telephone/215-641-9400
Telefax/215-641-9750



BRADFORD WHITE-CANADA® INC.

Mississauga, ON

Sales/866-690-0961
905-238-0100

Fax/905-238-0105

Technical Support/800-334-3393

Email

parts@bradfordwhite.com
techserv@bradfordwhite.com

www.bradfordwhite.com