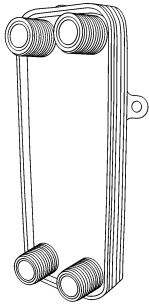


JOB:	REPRESENTATIVE:	
UNIT TAG:	SUBMITTED BY:	DATE:
ENGINEER:	APPROVED BY:	DATE:
CONTRACTOR:		



Type Hydronic BPX™ Brazed Plate Heat Exchanger With Mounting Tabs For Residential Applications

DESCRIPTION

B & G type Hydronic BPX brazed plate heat exchangers offer a unique mounting system and the highest level of thermal efficiency and durability in a compact, low cost unit. The unique integral mounting tabs and connection locations allow for easy installation to any hydronic heating panel without the need or cost of a separate mounting bracket. The corrugated plate design provides very high heat transfer coefficients, resulting in a more compact design. The unit's stainless steel plates are vacuum brazed together to form a durable, integral piece that can withstand high pressure and temperature.

OPERATING DATA

- COVER PLATES: Stainless Steel ASTM 316L
- CHANNEL PLATES: Stainless Steel ASTM 316L
- BRAZING MATERIAL: Copper
- CONNECTIONS: From 3/4" to 1" Stainless Steel ASTM 304L
- CAPACITY: Up to 52 GPM
- CONSTRUCTION CODES: UL, CRN, ASME Code Stamp Option

NOTE: Model BPX units cannot be opened nor can plates be added or removed.

TECHNICAL DATA (Standard Design)

DESIGN PRESSURE (All Models)	DESIGN TEMPERATURE (All Models)
435 PSIG (30 bar)	-310° F min. (-195° C) 450° F max. (232° C)

DESCRIPTION

MODEL NUMBER	PART NUMBER	# OF PLATES	TAGGING INFORMATION	QUANTITY
BP400-10 MT	5-694-00-010-002	10		
BP400-20 MT	5-694-00-020-007	20		
BP400-30 MT	5-694-00-030-002	30		
BP400-40 MT	5-694-00-040-005	40		
BP410-10 MT	5-694-10-010-002	10		
BP410-20 MT	5-694-10-020-002	20		
BP410-30 MT	5-694-10-030-004	30		
BP411-10 MT	5-694-11-010-001	10		
BP411-20 MT	5-694-11-020-003	20		
BP411-30 MT	5-694-11-030-001	30		
BP412-20 MT	5-694-12-020-001	20		
BP412-30 MT	5-694-12-030-001	30		

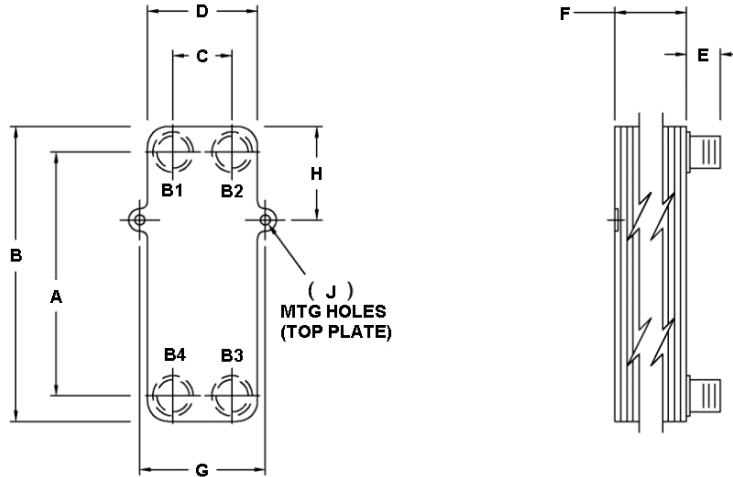
APPLICATION: _____



Type Hydronic BPX Heat Exchanger With Mounting Tabs

For Residential Applications

C-328A



DIMENSIONS -

MODEL	INCHES (mm)									MNPT Connection	Volume Gal/channel (L/Chnl)	Surface Area per plate sq. ft. (sq. m)	Shipping Weight Lbs. (kg)
	A	B	C	D	E	F	G	H	J				
BP400-10 MT	6.8 (172)	8.2 (208)	1.7 (42)	3.1 (79)	1.0 (24)	1.21 (31)	3.5 (89)	2.6 (66)	0.3 (7)	3/4"	0.01 (0.03)	0.13 (0.01)	2.8 (1.27)
BP400-20 MT	6.8 (172)	8.2 (208)	1.7 (42)	3.1 (79)	1.0 (24)	2.02 (51)	3.5 (89)	2.6 (66)	0.3 (7)	3/4"	0.01 (0.03)	0.13 (0.01)	4.1 (1.86)
BP400-30 MT	6.8 (172)	8.2 (208)	1.7 (42)	3.1 (79)	1.0 (24)	2.83 (72)	3.5 (89)	2.6 (66)	0.3 (7)	3/4"	0.01 (0.03)	0.13 (0.01)	5.4 (2.45)
BP400-40 MT	6.8 (172)	8.2 (208)	1.7 (42)	3.1 (79)	1.0 (24)	3.64 (92)	3.5 (89)	2.6 (66)	0.3 (7)	3/4"	0.01 (0.03)	0.13 (0.01)	6.7 (3.04)
BP410-10 MT	9.8 (250)	12.2 (310)	2.0 (50)	4.4 (112)	1.0 (24)	1.34 (34)	5.4 (137)	4.2 (106)	0.4 (10)	1"	0.02 (0.06)	0.3 (0.03)	5.5 (2.5)
BP410-20 MT	9.8 (250)	12.2 (310)	2.0 (50)	4.4 (112)	1.0 (24)	2.28 (58)	5.4 (137)	4.2 (106)	0.4 (10)	1"	0.02 (0.06)	0.3 (0.03)	8.4 (3.81)
BP410-30 MT	9.8 (250)	12.2 (310)	2.0 (50)	4.4 (112)	1.0 (24)	3.22 (82)	5.4 (137)	4.2 (106)	0.4 (10)	1"	0.02 (0.06)	0.3 (0.03)	11.3 (5.13)
BP411-10 MT	9.8 (250)	12.2 (310)	2.0 (50)	4.4 (112)	1.0 (24)	1.34 (34)	5.4 (137)	4.2 (106)	0.4 (10)	1"	0.02 (0.06)	0.3 (0.03)	5.5 (2.5)
BP411-20 MT	9.8 (250)	12.2 (310)	2.0 (50)	4.4 (112)	1.0 (24)	2.28 (58)	5.4 (137)	4.2 (106)	0.4 (10)	1"	0.02 (0.06)	0.3 (0.03)	8.4 (3.81)
BP411-30 MT	9.8 (250)	12.2 (310)	2.0 (50)	4.4 (112)	1.0 (24)	3.22 (82)	5.4 (137)	4.2 (106)	0.4 (10)	1"	0.02 (0.06)	0.3 (0.03)	11.3 (5.13)
BP412-20 MT	9.8 (250)	12.2 (310)	2.0 (50)	4.4 (112)	1.0 (24)	2.28 (58)	5.4 (137)	4.2 (106)	0.4 (10)	1"	0.02 (0.06)	0.3 (0.03)	8.4 (3.81)
BP412-30 MT	9.8 (250)	12.2 (310)	2.0 (50)	4.4 (112)	1.0 (24)	3.22 (82)	5.4 (137)	4.2 (106)	0.4 (10)	1"	0.02 (0.06)	0.3 (0.03)	11.3 (5.13)

Dimensions are subject to change. Not to be used for construction purposes unless certified.



Bell & Gossett

Bell & Gossett Heat Transfer Products
 175 Standard Parkway
 Cheektowaga, NY 14227
 Phone (800)447-7700
 Facsimile (716)862-4176
www.bellgossett.com