

# BARVY Steam Radiator Angle Valve • Spec Sheet



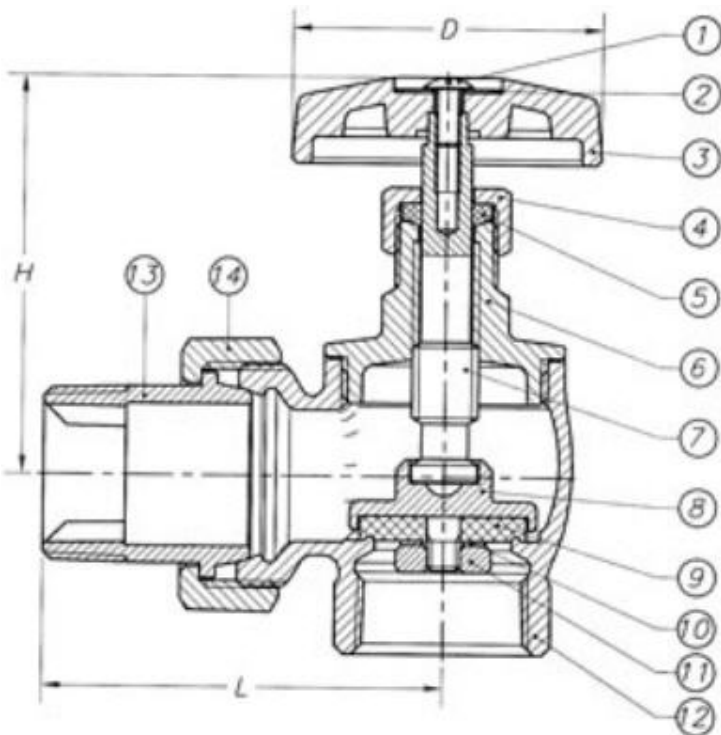
## FEATURES & BENEFITS

- Brass - Heavy Pattern
- FIP x Male Union
- With Nut & Tailpiece
- 15 WSP - 60 WOG
- ISO 9002
- Size 1/2" – 1-1/2"

**Also Available:** BARV  
Same Valve in Bronze

## DIMENSIONS

Size	Part #	D	H	L
1/2"	BARVY-0500	2.30	2.76	2.23
3/4"	BARVY-0750	2.30	2.76	2.54
1"	BARVY-1000	2.30	3.05	2.84
1-1/4"	BARVY-1250	2.30	3.33	3.19
1-1/2"	BARVY-1500	2.30	3.47	3.59



## MATERIAL SPECIFICATIONS

No.	Part	Material
1	Handle Bolt	Hot Rolled SAE 1010R
2	Name Plate	Aluminum A1100
3	Handwheel	Phenolic
4	Packing Nut	Brass B16 C36000
5	Gland Packing	PTFE
6	Bonnet	Brass B584 C85710
7	Stem	Brass B16 C36000
8	Seat Holder	Brass B16 C36000
9	Seat Packing	Rubber SN-919F
10	Washer	Brass B16 C36000
11	Seat Nut	Brass B16 sC36000
12	Body	Brass B584 C85710
13	Nipple	Brass B124 C85710
14	Nipple Nut	Brass B124 C85710



## MATCO-NORCA

Global sourcing. National compliance. Local service.

**CALIFORNIA** 5593 Fresca Dr., La Palma CA 90623 • Toll Free: 866-532-8306 • Fax: 866-532-8307  
**TEXAS** 1150 Silber Rd., Houston TX 77055 • Toll Free: 800-935-5456 • Fax: 713-680-2999  
**NEW YORK** PO Box 27, Rt. 22, Brewster NY 10509 • Toll Free: 800-431-2082 • Fax: 845-278-9056  
 WEB: [www.matco-norca.com](http://www.matco-norca.com) EMAIL: [mail@matco-norca.com](mailto:mail@matco-norca.com)