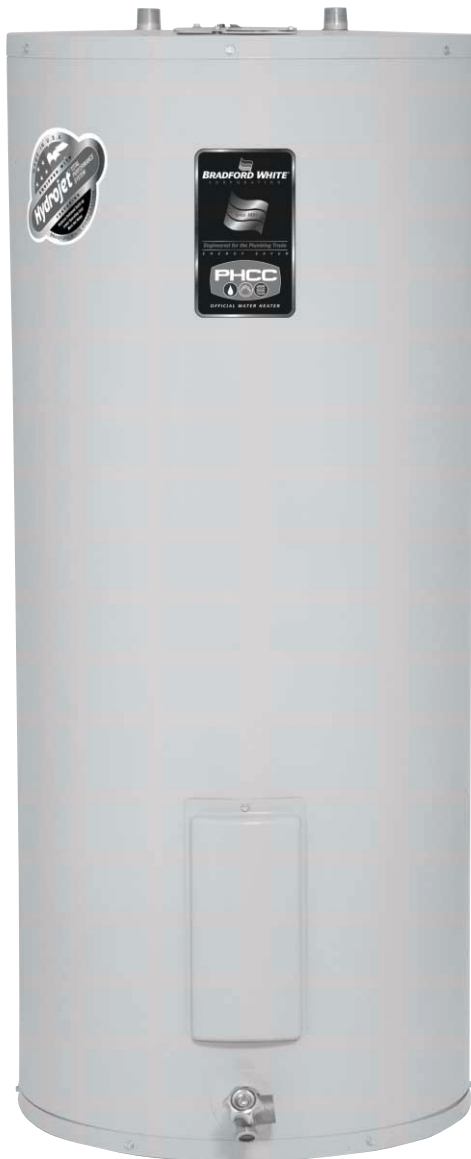




## RESIDENTIAL STORAGE TANK REPLACEMENT PARTS LIST

AST 40, 50, 80 and 120 Gallon Models

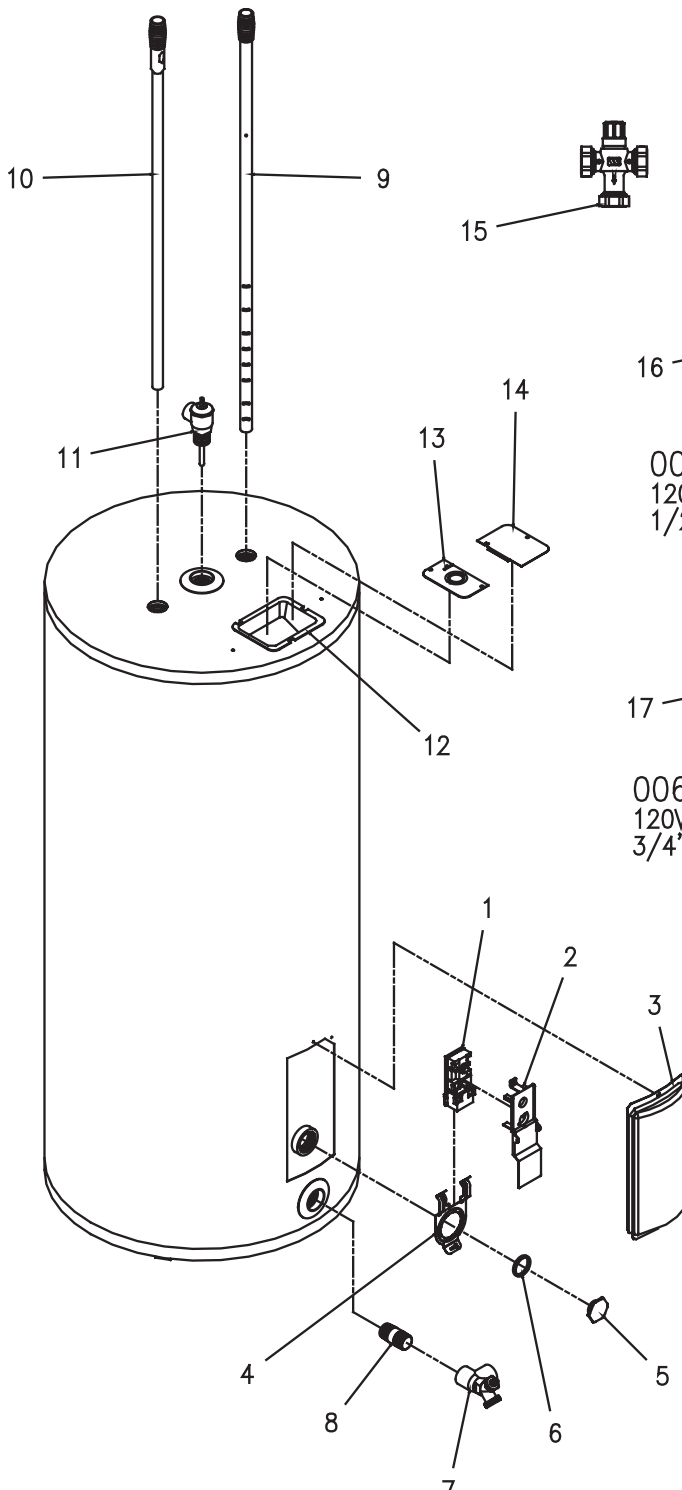
**Includes Hydrojet<sup>®</sup> Total  
Performance System**



***Effective: February 2, 2004***  
***ECO 6820***

**NOTE: BOTH MODEL AND  
SERIAL NUMBER ARE  
REQUIRED FOR ORDERING  
REPLACEMENT PARTS**

Dimensions and specifications subject  
to change without notice.



006-BC4  
120V, 1/4 HP  
1/2" sweat fittings

006-BT4  
120V, 1/4 HP  
3/4" NPT pipe fittings

#### Reference Number & Description

- 1 Thermostat
- 2 Thermostat Cover
- 3 Thermostat Access Cover
- 4 Thermostat Mounting Bracket
- 5 Tank Plug
- 6 Tank Plug Gasket
- 7 Drain/Return Valve
- 8 Nipple-Drain Return Valve
- 9 Cold Water Inlet Dip Tube
- 10 Hot Water Outlet Anode
- 11 T&P Valve (not supplied)
- 12 Electrical Junction Box
- 13 Cover/Conduit Connection
- 14 Junction Box Cover
- 15 ASSE Approved Mixing Valve
- 16 Taco Circulating Pump Model 006-HBC4
- 17 Taco Circulating Pump Model 006-HBT4

## Parts Common To AST-(40,50,80,120)-6

Reference Number and Description	Part Number
1 Thermostat	265-40287-00
2 Thermostat Cover	223-40397-00
3 Thermostat Access Cover	243-36618-02
4 Thermostat Mounting Bracket	239-44479-00
5 Tank Plug	223-34020-00
6 Tank Plug Gasket	223-34019-00
7 Drain/Return Valve	227-44747-00
8 Nipple-Drain/Return Valve	229-32762-04
11 T&P Valve*	---
12 Electrical Junction Box	239-39450-00
13 Cover/Conduit Connection	243-39451-00
14 Junction Box Cover	243-39452-00

### Optional Parts Reference Number and Description

15 ASSE Approved Mixing Valve	239-43740-01
16 Taco Circulating Pump Model 006-HBC4	Field Supplied
17 Taco Circulating Pump Model 006-HBT4	Field Supplied

## Parts Unique To AST-40-6

Reference Number and Description	Part Number
9 Cold Water Inlet Dip Tube, Hydro-Jet, Polysulfone (NC Code)	229-39628-08
10 Hot Water Outlet/Anode Magnesium	224-32731-88

### Optional Parts Reference Number and Description

10 Hot Water Outlet/Anode Aluminum	224-32999-06
------------------------------------	--------------

## Parts Unique To AST-50-6

Reference Number and Description	Part Number
9 Cold Water Inlet Dip Tube, Hydro-Jet, Polysulfone (NC Code)	229-39628-08
10 Hot Water Outlet/Anode Magnesium	224-32731-88

### Optional Parts Reference Number and Description

10 Hot Water Outlet/Anode Aluminum	224-32999-06
------------------------------------	--------------

## Parts Unique To AST-80-6

Reference Number and Description	Part Number
9 Cold Water Inlet Dip Tube, Hydro-Jet, Polysulfone (NC Code)	229-39628-09
10 Hot Water Outlet/Anode Magnesium	224-32731-84

### Optional Parts Reference Number and Description

10 Hot Water Outlet/Anode Aluminum	224-32999-07
------------------------------------	--------------

## Parts Unique To AST-120-6

Reference Number and Description	Part Number
9 Cold Water Inlet Dip Tube, Hydro-Jet, Polysulfone (NC Code)	229-43632-04
10 Hot Water Outlet/Anode Magnesium	224-44546-01

\* A combination temperature and pressure relief valve is required by code as a protective device. It is not normally supplied by the tank manufacturer as original equipment. It is traditionally provided by the installer and is shown here for replacement parts purposes. The T&P valve for these storage tanks must be rated for the BTU input of the heater of the system where installed. P/N 265-32920-01 T&P valve 3/4" NPT male thread rated to 100,000 BTU.



# **BRADFORD WHITE®**

C O R P O R A T I O N

Ambler, PA

**Sales/800-538-2020**

**800-532-4020**

***Fax/215-641-1670***

**Technical Support/800-334-3393**

***Fax/269-795-1089***

**Warranty/800-531-2111**

***Fax/269-795-1089***

**International:**

**Telephone/215-641-9400**

***Telefax/215-641-9750***

**Fax on Demand:**

**888-538-7833**



## **BRADFORD WHITE-CANADA™ INC.**

Mississauga, ON

**Sales/866-690-0961**

**905-238-0100**

***Fax/905-238-0105***

**Technical Support/800-334-3393**

Email

**parts@bradfordwhite.com**

**techserv@bradfordwhite.com**

**www.bradfordwhite.com**

**www.bradfordwhitecanada.com**