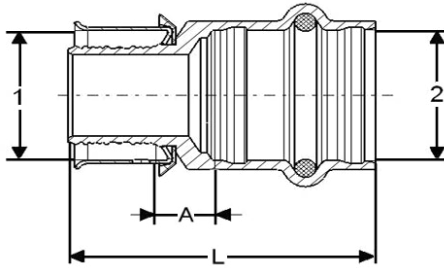
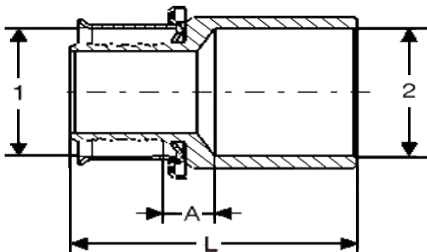


# Dimensional Documentation

## PEX Press Zero Lead Fittings with Attached Sleeves



PEX Press ProPress Adapters			
Stock Code	Dimensions 1 x 2	A (in)	L (in)
99620	1/2" x 1/2"	0.291	1.614
99626	1/2" x 3/4"	0.429	1.831
99627	5/8" x 1/2"	0.232	1.555
99628	5/8" x 3/4"	0.331	1.732
99630	3/4" x 1/2"	0.232	1.555
99640	3/4" x 3/4"	0.331	1.732
99660	1" x 1"	0.445	1.969
99670	1-1/4" x 1-1/4"	0.492	2.382
99680	1-1/2" x 1-1/2"	0.591	2.874
99690	2" x 2"	0.551	2.992



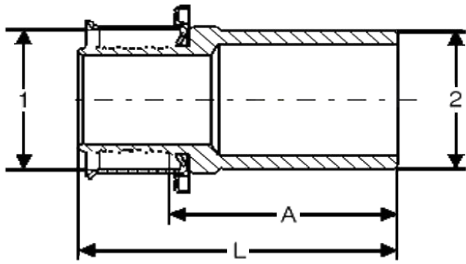
PEX Press Copper Tubing Adapters			
Stock Code	Dimensions 1 x 2	A (in)	L (in)
92006	3/8" x 1/2"	0.287	1.280
92021	1/2" x 1/2"	0.232	1.240
92026	1/2" x 3/4"	0.268	1.516
92027	5/8" x 1/2"	0.248	1.240
92031	5/8" x 3/4"	0.268	1.516
92036	3/4" x 1/2"	0.189	1.181
92041	3/4" x 3/4"	0.268	1.516
92045	3/4" x 1"	0.366	1.772
92060	1" x 1"	0.343	1.890
92070	1-1/4" x 1-1/4"	0.433	2.283
92080	1-1/2" x 1-1/2"	0.453	2.441
92090	2" x 2"	0.433	2.598

**Viega... The global leader in plumbing and heating systems.**

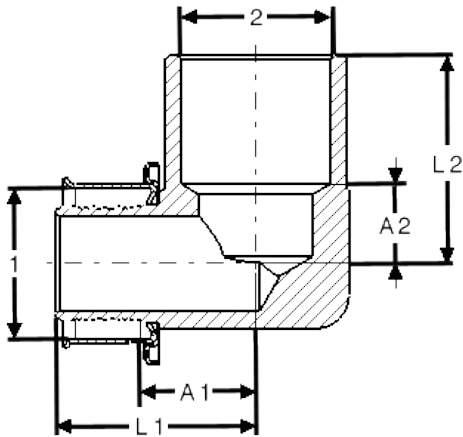
301 N. Main, 9th Floor • Wichita, KS 67202 • Ph: 877-976-9819 • Fax: 1-800-976-9817 • E-Mail: service@viega.com • www.viega.com

# Dimensional Documentation

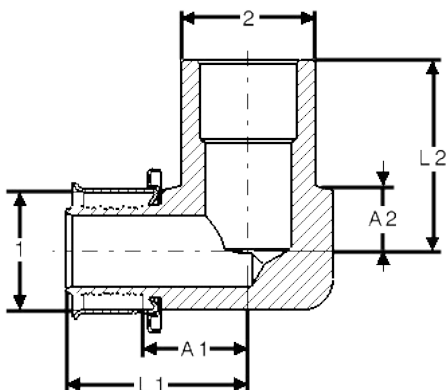
## PEX Press Zero Lead Fittings with Attached Sleeves



PEX Press Copper Fitting Adapters			
Stock Code	Dimensions 1 x 2	A (in)	L (in)
97520	1/2" x 1/2"	1.256	1.772
97525	1/2" x 3/4"	1.335	1.831
97530	5/8" x 1/2"	1.276	1.772
97531	5/8" x 3/4"	1.394	1.890
97535	3/4" x 1/2"	1.335	1.831
97540	3/4" x 3/4"	1.453	1.949
97545	3/4" x 1"	1.453	1.949
97560	1" x 1"	1.508	2.126
97570	1-1/4" x 1-1/4"	1.831	2.717
97580	1-1/2" x 1-1/2"	2.205	3.071
97590	2" x 2"	2.358	3.406



PEX Press Copper Tubing Elbows					
Stock Code	Dimensions 1 x 2	A1 (in)	A2 (in)	L1 (in)	L2 (in)
99307	1/2" x 1/2"	0.705	0.724	1.201	1.232
99308	1/2" x 3/4"	0.681	0.469	1.177	1.220
99313	5/8" x 1/2"	0.681	0.724	1.177	1.232
99312	5/8" x 3/4"	0.681	0.480	1.177	1.232
99311	3/4" x 1/2"	0.705	0.724	1.201	1.232
99309	3/4" x 3/4"	0.681	0.469	1.177	1.220



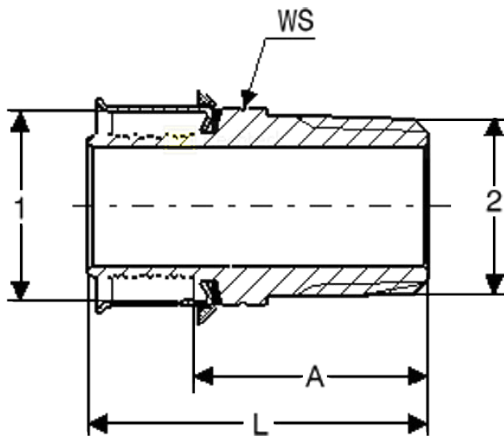
PEX Press Copper Fitting Elbows					
Stock Code	Dimensions 1 x 2	A1 (in)	A2 (in)	L1 (in)	L2 (in)
99310	1/2" x 1/2"	0.575	0.472	1.071	1.059
99307	1/2" x 3/4"	0.705	0.724	1.201	1.232
99313	5/8" x 3/4"	0.681	0.724	1.177	1.232
99311	3/4" x 3/4"	0.705	0.724	1.201	1.232

**Viega... The global leader in plumbing and heating systems.**

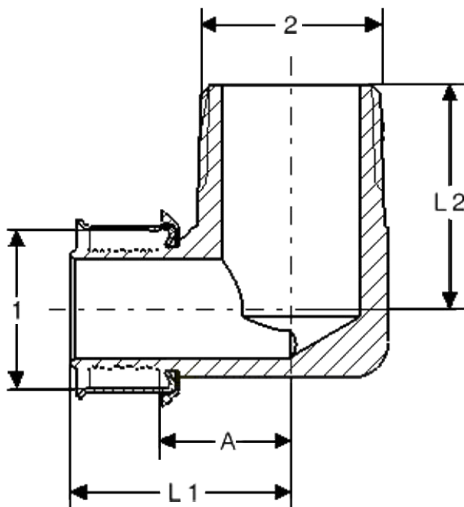
301 N. Main, 9th Floor • Wichita, KS 67202 • Ph: 877-976-9819 • Fax: 1-800-976-9817 • E-Mail: service@viega.com • www.viega.com

# Dimensional Documentation

## PEX Press Zero Lead Fittings with Attached Sleeves



PEX Press Male NPT Adapters				
Stock Code	Dimensions 1 x 2	A (in)	L (in)	WS (in)
90506	3/8" x 1/2" M NPT	1.138	1.634	0.866
90521	1/2" x 1/2" M NPT	1.098	1.594	0.866
90526	1/2" x 3/4" M NPT	1.146	1.642	1.063
90527	5/8" x 1/2" M NPT	1.098	1.594	0.866
90531	5/8" x 3/4" M NPT	1.146	1.642	1.063
90542	3/4" x 1/2" M NPT	1.098	1.594	0.866
90541	3/4" x 3/4" M NPT	1.146	1.642	1.063
90546	3/4" x 1" M NPT	1.413	1.909	1.339
90562	3/4" x 1-1/4" M NPT	1.654	2.102	1.732
90556	1" x 3/4" M NPT	1.181	1.799	1.063
90561	1" x 1" M NPT	1.409	2.028	1.339
90566	1" x 1-1/4" M NPT	1.602	2.220	1.732
90571	1-1/4" x 1-1/4" M NPT	1.630	2.496	1.732
90581	1-1/2" x 1-1/2" M NPT	1.791	2.657	1.969
90591	2" x 2" M NPT	2.083	3.130	2.441



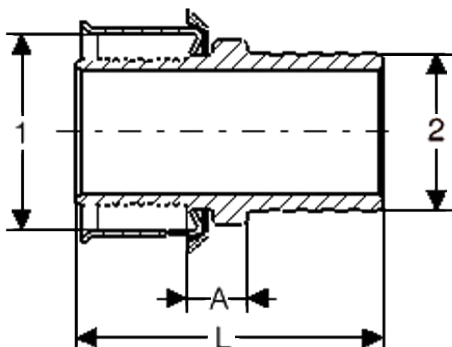
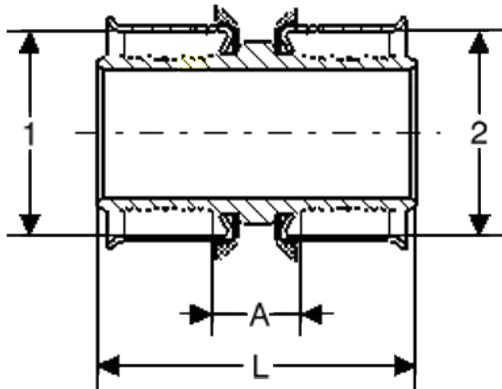
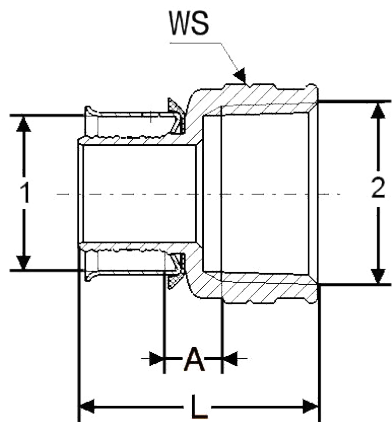
PEX Press Male NPT Elbows				
Stock Code	Dimensions 1 x 2	A (in)	L1 (in)	L2 (in)
92520	1/2" x 1/2" M NPT	0.638	1.134	1.016
92525	1/2" x 3/4" M NPT	0.740	1.236	1.102
92540	3/4" x 3/4" M NPT	0.740	1.236	1.102
92545	3/4" x 1" M NPT	0.980	1.476	1.614
92560	1" x 1" M NPT	0.976	1.594	1.614
92565	3/4" x 1-1/4" M NPT	1.315	1.811	1.673
92570	1" x 1-1/4" M NPT	1.311	1.929	1.673
92757	1-1/4" x 1-1/4" M NPT	1.319	2.185	1.673

**Viiega... The global leader in plumbing and heating systems.**

301 N. Main, 9th Floor • Wichita, KS 67202 • Ph: 877-976-9819 • Fax: 1-800-976-9817 • E-Mail: [service@viiega.com](mailto:service@viiega.com) • [www.viiega.com](http://www.viiega.com)

# Dimensional Documentation

## PEX Press Zero Lead Fittings with Attached Sleeves



PEX Press Female NPT Adapters				
Stock Code	Dimensions 1 x 2	A (in)	L (in)	WS (in)
91520	1/2" x 1/2" F NPT	0.346	1.378	0.984
91525	1/2" x 3/4" F NPT	0.366	1.417	1.201
91541	3/4" x 1/2" F NPT	0.307	1.339	0.984
91540	3/4" x 3/4" M NPT	0.366	1.417	1.201
91545	1" x 3/4" M NPT	0.402	1.575	1.201
91560	1" x 1" M NPT	0.413	1.693	1.476

PEX Press Couplings			
Stock Code	Dimensions 1 x 2	A (in)	L (in)
93001	5/16"	0.394	1.378
93000	3/8"	0.394	1.378
93020	1/2"	0.394	1.378
93050	1/2" x 3/4"	0.394	1.378
93030	5/8"	0.394	1.378
93040	3/4"	0.394	1.378
93055	3/4" x 1"	0.461	1.575
93071	3/4" x 1-1/4"	0.508	1.870
93072	3/4" x 1-1/2"	0.508	1.870
93060	1"	0.457	1.693
93065	1" x 1-1/4"	0.543	2.028
93073	1" x 1-1/2"	0.543	2.028
93070	1-1/4"	0.669	2.402
93075	1-1/4" x 1-1/2"	0.591	2.323
93080	1-1/2"	0.669	2.402
93090	2"	0.657	2.756

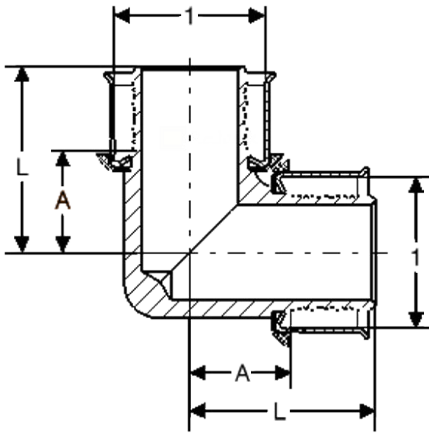
PEX Press PB Adapters			
Stock Code	Dimensions 1 x 2	A (in)	L (in)
97820	1/2" x 1/2"	0.276	1.378
97840	3/4" x 3/4"	0.276	1.378

**Viega... The global leader in plumbing and heating systems.**

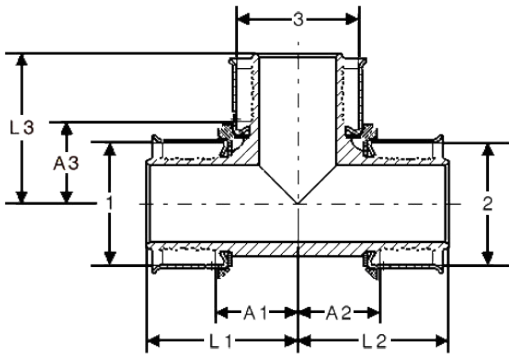
301 N. Main, 9th Floor • Wichita, KS 67202 • Ph: 877-976-9819 • Fax: 1-800-976-9817 • E-Mail: service@viega.com • www.viega.com

# Dimensional Documentation

## PEX Press Zero Lead Fittings with Attached Sleeves



PEX Press Elbows			
Stock Code	Dimensions 1	A (in)	L (in)
93520	1/2"	0.469	0.965
93530	5/8"	0.594	1.091
93540	3/4"	0.594	1.091
93560	1"	0.878	1.496
93570	1-1/4"	0.945	1.811
93580	1-1/2"	1.142	2.008
93590	2"	1.331	2.382



PEX Press Tees / Reducing Tees							
Stock Code	Dimensions 1 x 2 x 3	A1 (in)	A2 (in)	A3 (in)	L1 (in)	L2 (in)	L3 (in)
94020	1/2"	0.469	0.469	0.469	0.965	0.965	0.965
94021	1/2" x 3/8" x 3/8"	0.469	0.469	0.469	0.965	0.965	0.965
94022	1/2" x 1/2" x 3/4"	0.622	0.622	0.594	1.118	1.118	1.091
94030	5/8"	0.594	0.594	0.594	1.091	1.091	1.091
94040	3/4"	0.594	0.594	0.594	1.091	1.091	1.091
94032	3/4" x 1/2" x 1/2"	0.594	0.594	0.622	1.091	1.091	1.118
94034	3/4" x 1/2" x 3/4"	0.594	0.622	0.594	1.091	1.118	1.091
94036	3/4" x 3/4" x 1/2"	0.594	0.594	0.622	1.091	1.091	1.118
94060	1"	0.878	0.878	0.878	1.496	1.496	1.496
94037	1" x 1/2" x 1/2"	0.583	0.587	0.823	1.201	1.083	1.319
94039	1" x 1/2" x 1"	0.760	0.744	0.760	1.378	1.240	1.378
94038	1" x 3/4" x 1/2"	0.583	0.587	0.823	1.201	1.083	1.319

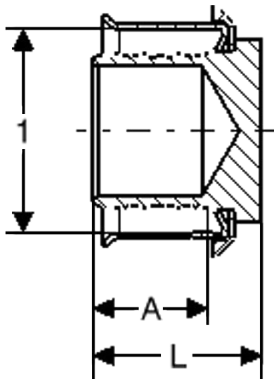
**Viega... The global leader in plumbing and heating systems.**

301 N. Main, 9th Floor • Wichita, KS 67202 • Ph: 877-976-9819 • Fax: 1-800-976-9817 • E-Mail: [service@viega.com](mailto:service@viega.com) • [www.viega.com](http://www.viega.com)

# Dimensional Documentation

## PEX Press Zero Lead Fittings with Attached Sleeves

PEX Press Tees / Reducing Tees (cont.)							
Stock Code	Dimensions 1 x 2 x 3	A1 (in)	A2 (in)	A3 (in)	L1 (in)	L2 (in)	L3 (in)
94052	1" x 3/4" x 3/4"	0.799	0.764	0.843	1.398	1.260	1.339
94053	1" x 3/4" x 1"	0.760	0.705	0.760	1.378	1.201	1.378
94050	1" x 1" x 1/2"	0.681	0.681	0.843	1.299	1.299	1.339
94056	1" x 1" x 3/4"	0.799	0.799	0.843	1.417	1.417	1.339
94070	1-1/4"	1.004	1.004	1.004	1.870	1.870	1.870
94071	1-1/4" x 1" x 3/4"	0.728	0.740	0.988	1.594	1.358	1.484
94073	1-1/4" x 1" x 1"	0.807	0.819	0.996	1.673	1.437	1.614
94072	1-1/4" x 1-1/4" x 3/4"	0.728	0.728	0.988	1.594	1.594	1.484
94074	1-1/4" x 1-1/4" x 1"	0.807	0.807	0.996	1.673	1.673	1.614
94080	1-1/2"	1.142	1.142	1.142	2.008	2.008	2.008
94081	1-1/2" x 1" x 3/4"	0.728	0.661	1.126	1.594	1.280	1.622
94082	1-1/2" x 1" x 1"	0.846	0.858	1.134	1.713	1.476	1.752
94083	1-1/2" x 1-1/2" x 3/4"	0.728	0.728	1.126	1.594	1.594	1.622
94084	1-1/2" x 1-1/2" x 1"	0.846	0.846	1.193	1.713	1.713	1.811
94085	1-1/2" x 1-1/2" x 1-1/4"	0.984	0.984	1.138	1.850	1.850	2.004
94090	2"	1.331	1.331	1.331	2.382	2.382	2.382



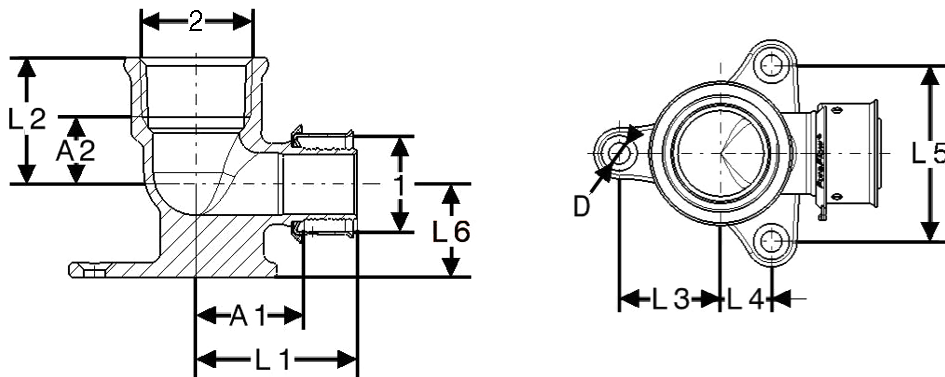
PEX Press Test Plugs			
Stock Code	Dimensions 1	A (in)	L (in)
95000	3/8"	0.476	0.728
95121	1/2"	0.476	0.728
95131	5/8"	0.476	0.728
95141	3/4"	0.476	0.728
95161	1"	0.618	0.925

**Viiega... The global leader in plumbing and heating systems.**

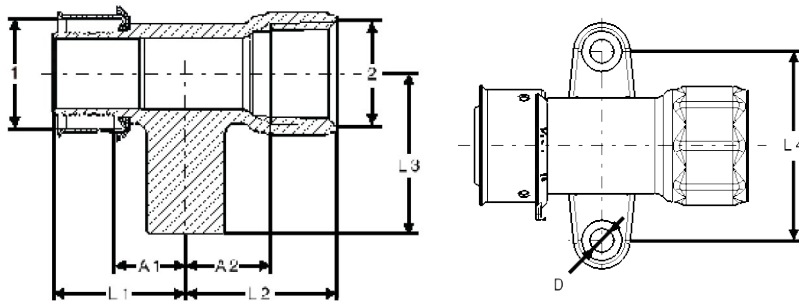
301 N. Main, 9th Floor • Wichita, KS 67202 • Ph: 877-976-9819 • Fax: 1-800-976-9817 • E-Mail: [service@viiega.com](mailto:service@viiega.com) • [www.viiega.com](http://www.viiega.com)

# Dimensional Documentation

## PEX Press Zero Lead Fittings with Attached Sleeves



PEX Press Drop Ear Elbows										
Stock Code	Dimensions 1 x 2	A1 (in)	A2 (in)	L1 (in)	L2 (in)	L3 (in)	L4 (in)	L5 (in)	L6 (in)	D (in)
94505	3/8" x 1/2"	0.882	0.449	1.378	0.984	0.787	0.394	1.362	0.866	0.197
94520	1/2" x 1/2"	0.882	0.449	1.378	0.984	0.787	0.394	1.362	0.866	0.197
94535	3/4" x 1/2"	0.882	0.528	1.378	1.063	0.787	0.394	1.362	0.866	0.197
94540	3/4" x 3/4"	1.000	0.626	1.496	1.181	0.945	0.472	1.638	0.866	0.197



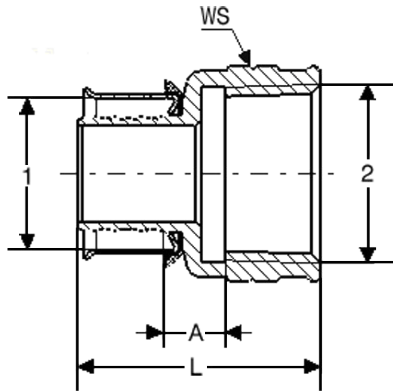
PEX Press Fire Sprinkler Adapter									
Stock Code	Dimensions 1 x 2	A1 (in)	A2 (in)	L1 (in)	L2 (in)	L3 (in)	L4 (in)	D (in)	
94632	3/4" x 1/2" F NPT	0.567	0.685	1.063	1.220	1.287	1.575	0.197	

**Viega... The global leader in plumbing and heating systems.**

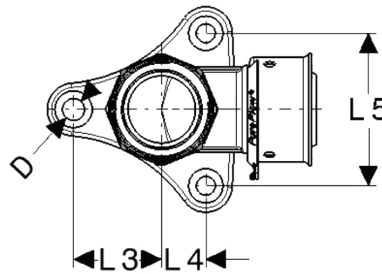
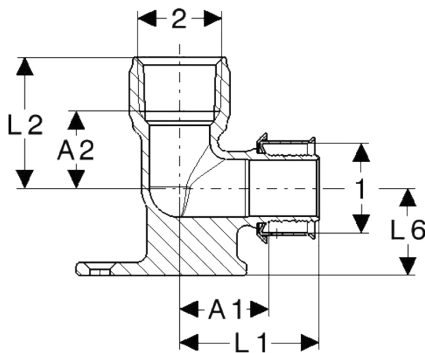
301 N. Main, 9th Floor • Wichita, KS 67202 • Ph: 877-976-9819 • Fax: 1-800-976-9817 • E-Mail: service@viega.com • www.viega.com

# Dimensional Documentation

## PEX Press Zero Lead Fittings with Attached Sleeves



PEX Press Fire Sprinkler Female NPT Adapters				
Stock Code	Dimensions 1 x 2	A (in)	L (in)	WS (in)
91541	3/4" x 1/2" F NPT	0.307	1.339	0.984



PEX Press Fire Sprinkler Elbows										
Stock Code	Dimensions 1 x 2	A1 (in)	A2 (in)	L1 (in)	L2 (in)	L3 (in)	L4 (in)	L5 (in)	L6 (in)	D (in)
94635	3/4" x 1/2" F NPT	0.882	0.764	1.378	1.299	0.787	0.394	1.362	0.866	0.197
94640	1" x 1/2" F NPT	0.957	0.921	1.575	1.457	0.787	0.394	1.362	0.866	0.197

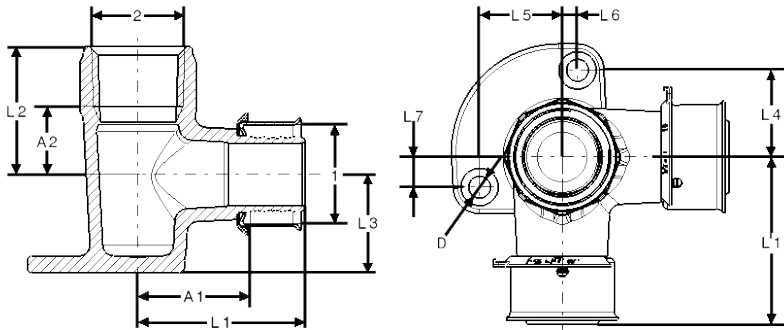
**Viega... The global leader in plumbing and heating systems.**

301 N. Main, 9th Floor • Wichita, KS 67202 • Ph: 877-976-9819 • Fax: 1-800-976-9817 • E-Mail: service@viega.com • www.viega.com



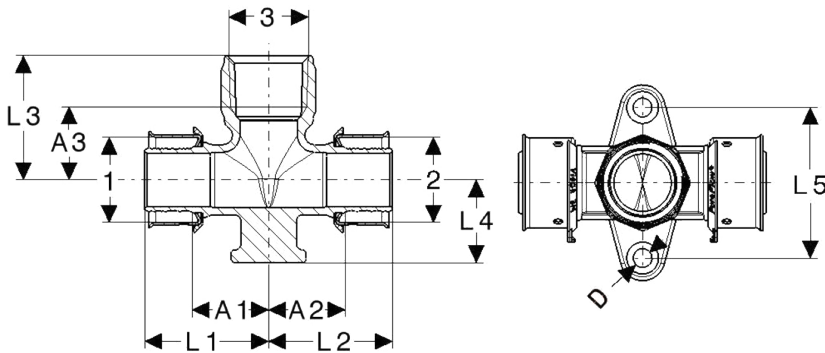
# Dimensional Documentation

## PEX Press Zero Lead Fittings with Attached Sleeves



PEX Press Fire Sprinkler Elbow (Double)							
Stock Code	Dimensions 1 x 2	A1 (in)	A2 (in)	L1 (in)	L2 (in)	L3 (in)	L4 (in)
94646	3/4" x 3/4" x 1/2" F NPT	1.000	0.606	1.496	1.142	0.882	0.776

L5 (in)	L6 (in)	L7 (in)	D (in)
0.740	0.138	0.268	0.197



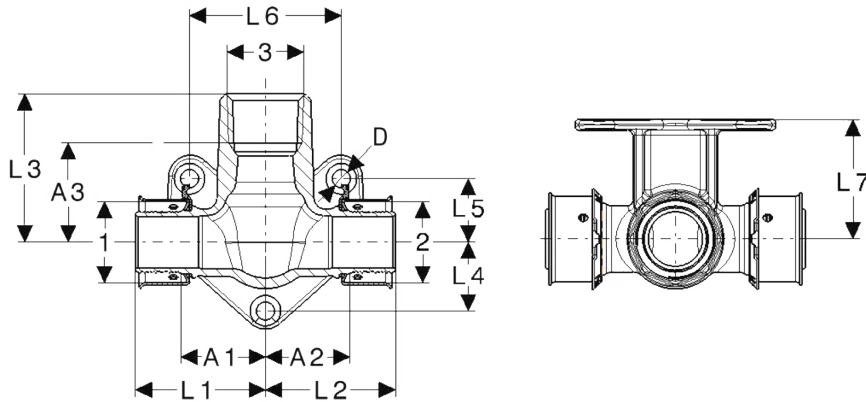
PEX Press Fire Sprinkler Horizontal Tees										
Stock Code	Dimensions 1 x 2	A1 (in)	A2 (in)	L1 (in)	L2 (in)	L3 (in)	L4 (in)	L5 (in)	L6 (in)	D (in)
94636	3/4" x 3/4" x 1/2" F NPT	0.803	0.803	0.764	1.299	1.299	1.299	0.866	1.575	0.197
94638	1" x 3/4" x 1/2" F NPT	0.783	1.055	0.906	1.280	1.673	1.457	0.866	1.575	0.197
94639	1" x 1" x 1/2" F NPT	1.055	1.055	0.902	1.673	1.673	1.437	0.866	1.575	0.197

**ViEga... The global leader in plumbing and heating systems.**

301 N. Main, 9th Floor • Wichita, KS 67202 • Ph: 877-976-9819 • Fax: 1-800-976-9817 • E-Mail: [service@viEga.com](mailto:service@viEga.com) • [www.viEga.com](http://www.viEga.com)

# Dimensional Documentation

## PEX Press Zero Lead Fittings with Attached Sleeves



PEX Press Fire Sprinkler Vertical Tees							
Stock Code	Dimensions 1 x 2	A1 (in)	A2 (in)	A3 (in)	L1 (in)	L2 (in)	L3 (in)
94736	3/4" x 3/4" x 1/2" F NPT	0.921	0.921	1.079	1.417	1.417	1.614
94738	1" x 3/4" x 1/2" F NPT	0.957	0.957	1.079	1.516	1.516	1.614
94739	1" x 1" x 1/2" F NPT	0.957	0.957	1.079	1.575	1.575	1.614

L4 (in)	L5 (in)	L6 (in)	L7 (in)	D (in)
0.748	0.689	1.654	1.299	0.197
0.748	0.689	1.654	1.417	0.197
0.748	0.689	1.654	1.417	0.197

**Viega... The global leader in plumbing and heating systems.**

301 N. Main, 9th Floor • Wichita, KS 67202 • Ph: 877-976-9819 • Fax: 1-800-976-9817 • E-Mail: service@viega.com • www.viega.com