

Parts List

Panasonic

File No.

Air Conditioner

! RoHS

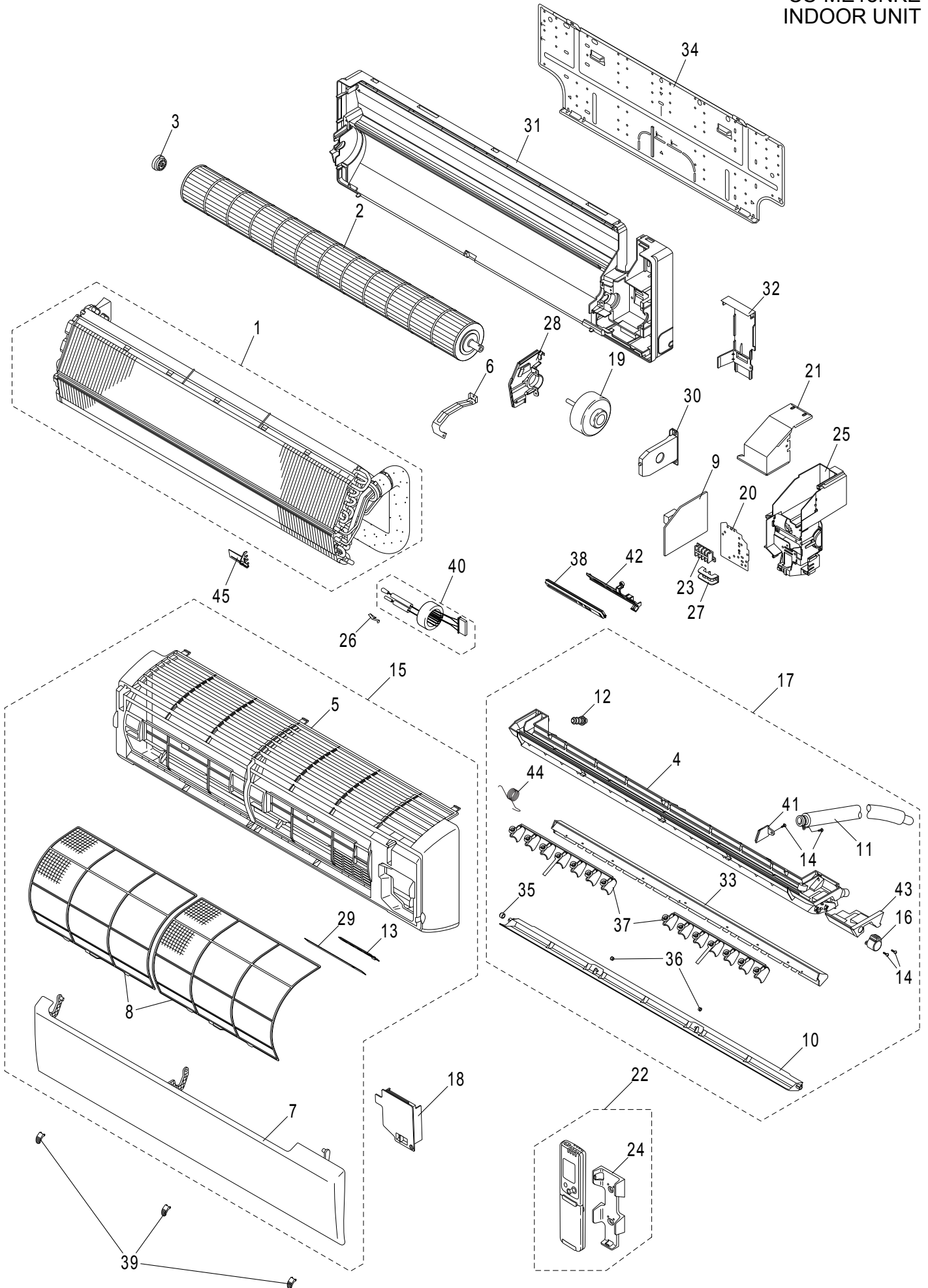
- This product does not contain any hazardous substances prohibited by the RoHS Directive.

! WARNING

- You are requested to use RoHS compliant parts for maintenance or repair.
- You are requested to use lead-free solder.

REFERENCE No.PL 706906

CS-ME18NKE
INDOOR UNIT



ATTENTION!

To ensure correct parts supply, please let us know the following,

Part No. when you make service parts order:

1.Part No. 2.Description 3.Q'ty 4.Volts-Hz-Ph 5.Product Mode No.

CS-ME18NKE
INDOOR UNIT

KeyNo.	Part No.	Description	Model Number	Q'ty	Reference No.	
1	CV 9231845404	Evaporator Ass'y		1	8520411686600	
*	2	CV 9231845398	Cross-Flow Fan Ass'y	1	8520250929200	
*	3	CV 9231718319	Bearing Housing Ass'y	1	8520251013200	
	4	CV 9231845381	Air Outlet Frame	1	8522153121001	
	5	CV 6233034584	Grille	1	8522150154101	
	6	CV 9231845367	Mounting Plate	1	8522238512801	
	7	CV 6233034577	Ornamental Plate	1	8522151641301	
	8	CV 6233034560	Air Filter Ass'y	2	8520230737601	
*	9	CV 6233202617	Circuit Board Ass'y	CB-CS-ME18NKE	1	8FA0518193700
	10	CV 6233034614	Flap	1	8522152331501	
	11	CV 9231772236	Drain Hose Ass'y	1	8520130329400	
	12	CV 9231718364	Cap, Drain Pan	1	8522234812401	
	13	CV 6233034607	Mounting Plate, Switch	1	8522531425801	
	14	CV 9231510647	Screw Special	4	8522239615101	
	15	CV 6233202600	Grille Ass'y	1	8520150194600	
*	16	CV 9231772205	Step Motor	MP24Z3-12V	1	1FA4M3A000900
	17	CV 6233034638	Air Outlet Ass'y	1	8520153138200	
	18	CV 6233202624	Terminal Cover Ass'y	1	8520530908800	
*	19	CV 6233189383	Fan Motor	SIC-41CVJ-D847-3	1	1FA4M5B011600
	20	CV 9231845480	Mounting Plate	1	8522238513001	
	21	CV 9231845473	Cover Plate	1	8522530941401	
*	22	CV 6233198927	Remote Control Switch	PRCS-3MHVPSS4EE-T	1	8FA0005459600
*	23	CV 9231771727	Terminal Base	JXJ1-15/4	1	1FA4J3A023200
	24	CV 6233003573	Holder	1	8512537707701	
	25	CV 9231845572	Elec. Component Box	1	8522530769001	
	26	CV 9231485877	Mounting Thermostat	1	8522530322401	
	27	CV 9231772373	Clip Wire	1	8522530423401	
	28	CV 9231915695	Mounting Plate Ass'y	1	8520221718100	
	29	CV 6233202631	Indicator Plate	1	8522130824106	
	30	CV 9231845541	Mounting Plate, Fan Motor	1	8522235430701	
	31	CV 6233137810	Frame Ass'y	1	8520220148900	
	32	CV 9231907720	Mounting, Tube	1	8522236230202	
	33	CV 9231845633	Guide Air Defl	1	8522236019701	
	34	CV 9231845626	Rear Panel	1	8522223022901	
	35	CV 9231469105	Mounting	1	8522151452001	
	36	CV 9380037200	Mounting	2	8522151444002	
	37	CV 9231845619	Blade	2	8522151935401	
*	38	CV 6233034669	Indicator Lamp Ass'y	IND-KRV186EH	1	8FA0516106900
	39	CV 9231845596	Cap	3	8522235024201	
*	40	CV 6233202648	Thermistor Ass'y	1	8FA0525964900	
	41	CV 9231934672	Mounting	1	8522151470901	
	42	CV 6233034683	Mounting Plate, Lamp	1	8522531125901	
	43	CV 6233034676	Insulation, Drain Pan	1	8522240755800	
	44	CV 6233043883	Spring	1	8522233119301	
	45	CV 9231725508	Mounting Thermostat	1	8522530325101	
		CV 6233187730	Operation Manual	1	8526418122400	

NOTE: Metal and plastic parts will be supplied basically with necessary heat insulation pads or packing. Each key number with an asterisk (*) means the recommended service parts.