



### Zero Lead Bronze Ball Valve (Metal Handle)

Model 2970.10 ZL\*

#### Description

- Two Piece Zero Lead Bronze Body
- Full Port
- EPDM Sealing Elements
- EPDM Stem Seals
- Lockable Metal Handle
- ProPress Ends

#### Features

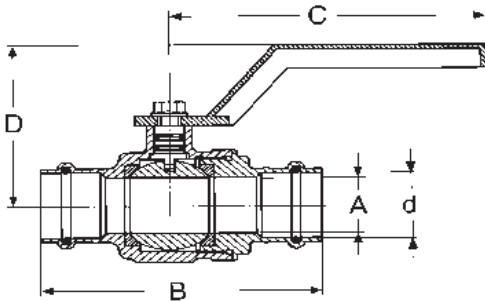
- 316 Stainless Steel Ball
- Zero Lead Bronze Blowout-proof Stem
- Reinforced PTFE Seats
- Smart Connect Feature

#### Ratings

- 600 WOG
- Temperature Range 0°F-250°F
- Max. Operating Pressure: 200 PSI

#### Approvals

- CSA 1/2" - 1"
- Conforms to MSS SP-110
- UP Code
- NSF 61 Annex G



Stock Code	d	A (in)	B (in)	C (in)	D (in)
79095	1/2"	0.551	3.346	4.331	2.402
79100	3/4"	0.787	3.819	4.331	2.461
79105	1"	0.984	4.291	4.823	2.795
79110	1-1/4"	1.260	4.685	4.823	3.228
79115	1-1/2"	1.575	5.610	5.315	3.661
79120	2"	1.969	6.756	5.315	3.976

\*ZERO LEAD identifies Viega products meeting the lead free requirements of California and Vermont law, effective January 1, 2010, as tested and listed against NSF- 61, Annex G