

Robertshaw®

UNITROL® 7000 HC

HIGH CAPACITY GAS VALVES



The Robertshaw® Unitrol 7000 high capacity (HC) models combine a manual main and pilot gas valve, a separate automatic safety pilot valve, pilot adjustment valve and a diaphragm valve. The regulated models of the Unitrol 7000 series also feature “straight line” gas pressure regulation.

Robertshaw diaphragm gas valves are single function, diaphragm types and are excellent replacements for solenoid gas valves.

Models are available with or without a gas cock and regulated or non-regulated. Standard features include pilot outlet, pilot gas filter and pilot adjustment key.

Features and Benefits

- Valves can be mounted in any position except upside down
- High Capacity up to 1,150,000 BTU for LP
- Normally closed solenoid
- High flow rates
- Standard NEMA terminals
- Inlet filtered screen
- Various gas types: natural, manufactured, mixed, LP, and LP/air mixtures
- Multiple actuators available
- RoHS compliant

Specifications

- Sequentially controlled lighting
- Soft ignition available
- Built-in self protection
- Various inlet and outlet sizes available
- Works with various ignition types
 - Hot Surface Ignition (HSI)
 - Direct Spark Ignition (DSI)
 - Intermittent Pilot Ignition (IPI)
 - Standing Pilot
- Agency Certifications
 - CE0085
 - AGA, CSA and British Gas Certified

REGULATION CAPACITIES

Factory Model	Inlet x Outlet"	Natural Gas BTU @ 1" WC PD	Natural Gas Min - Max BTU Capacity	LP BTU @ 1" WC PD	LP Min - Max BTU Capacity
7000 HC	1 x 1	600,000	200,000-800,000	972,000	300,000-1,150,000



An ISO 9001 – 2008 Certified Company

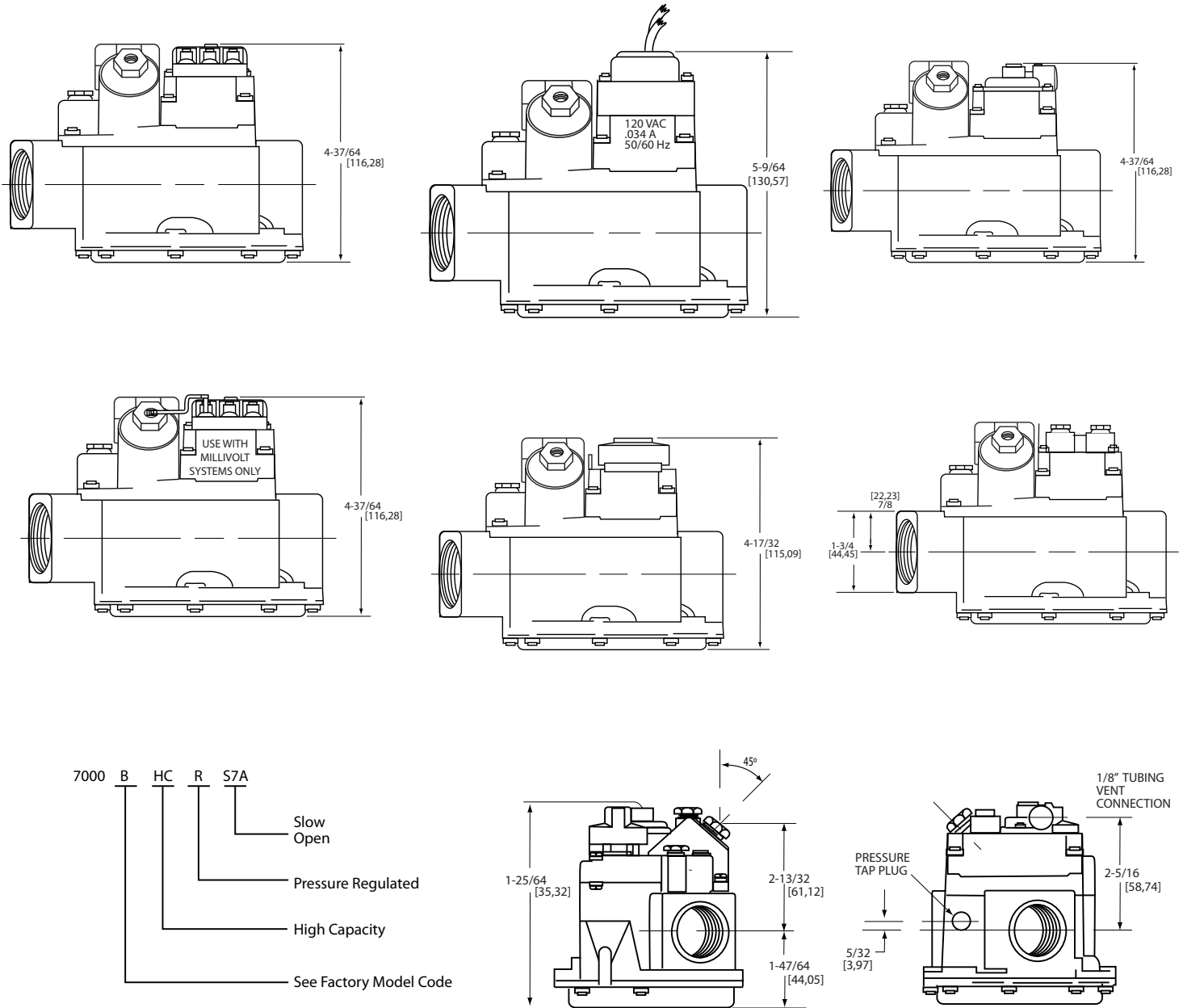
Robertshaw®

UNITROL® 7000 HC

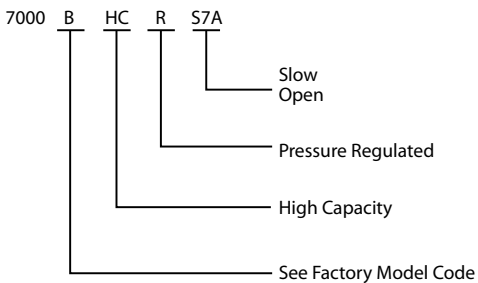
HIGH CAPACITY GAS VALVES

PRODUCT DIMENSIONS

Dimensions are inches and [millimeters].



UNITROL 7000GORHC



inven'sys
Controls

191 E. North Avenue
Carol Stream Illinois 60188 USA
Customer Service Telephone 1.800.304.6563
Customer Service Facsimile 1.800.426.0804
HVACCustomerService@Invensys.com

For Technical Service
Telephone 1.800.445.8299
Facsimile 1.630.260.7294
TechnicalService@Invensys.com

Invensys™, Robertshaw®, Uni-Line®, Unitrol® and Simply the Right Choice™ are trademarks of Invensys plc., its subsidiaries and/or affiliated companies. All other brands mentioned may be the trademarks of their respective owners.

www.Uni-Line.com
www.InvensysControls.com
©2012 Invensys Controls

10/12 – 150-2373