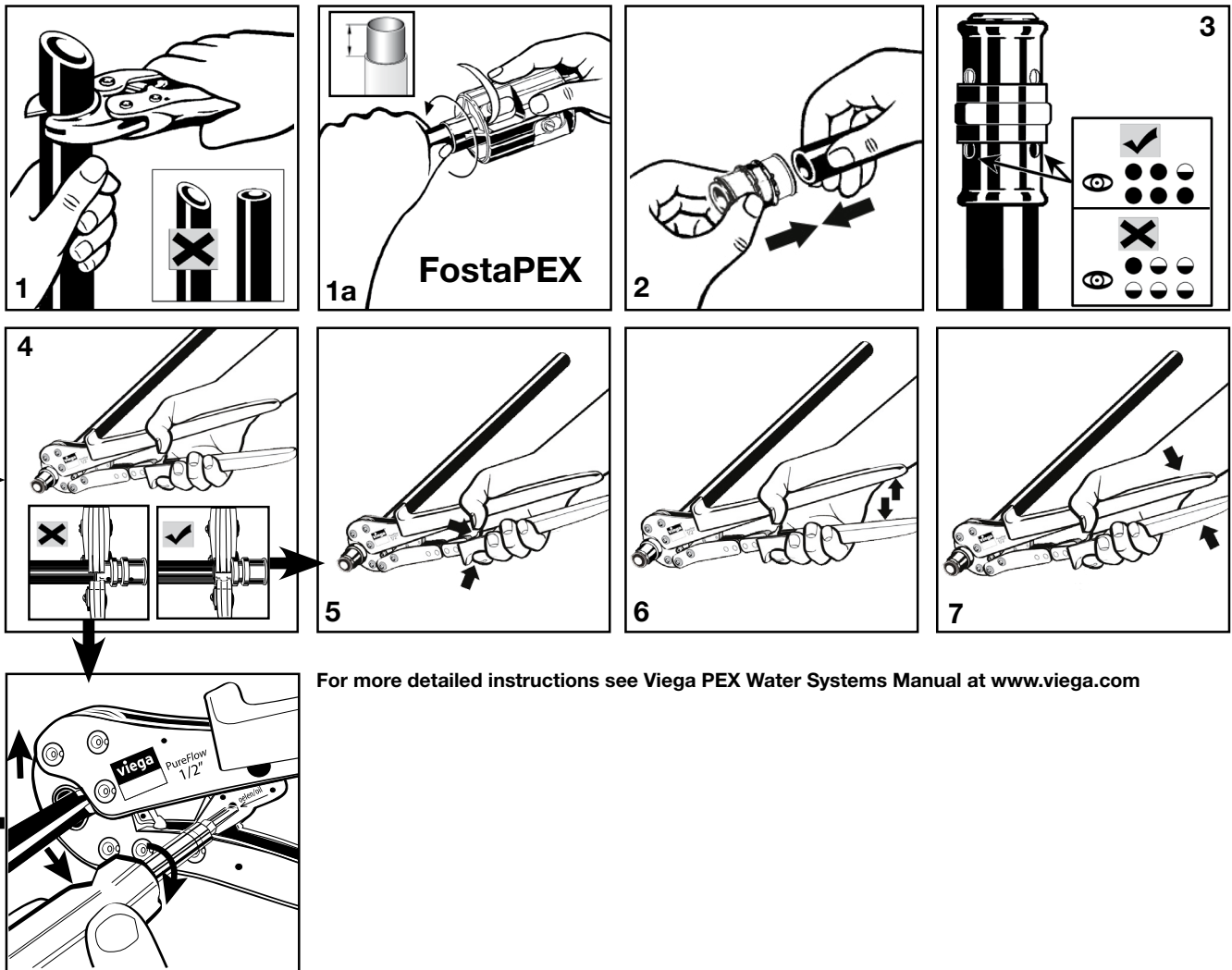


Product Instructions



Viega PEX Press Polymer with Hand Tool



For more detailed instructions see Viega PEX Water Systems Manual at www.viega.com

Viega... The global leader in plumbing, heating and pipe joining systems

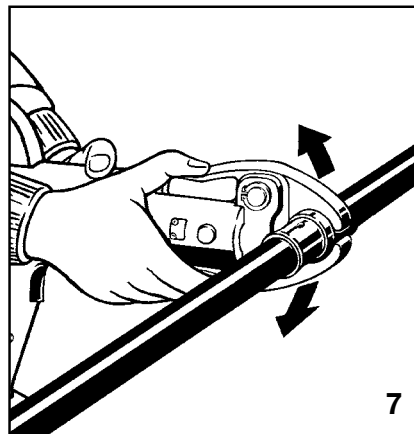
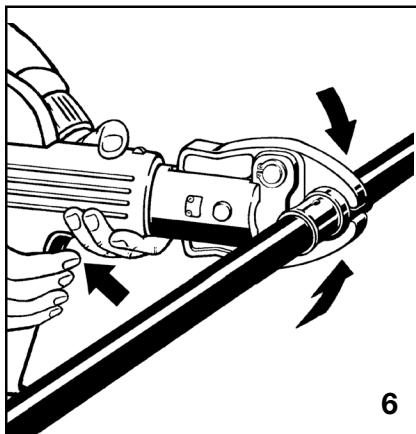
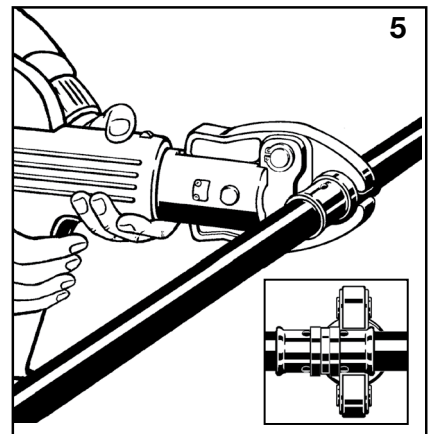
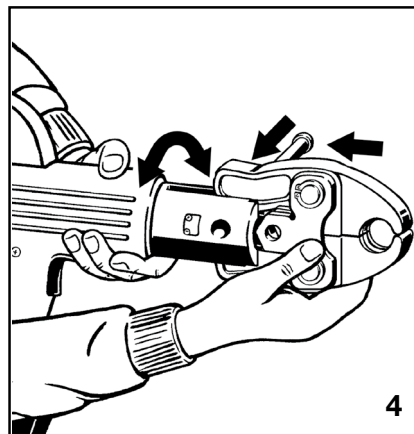
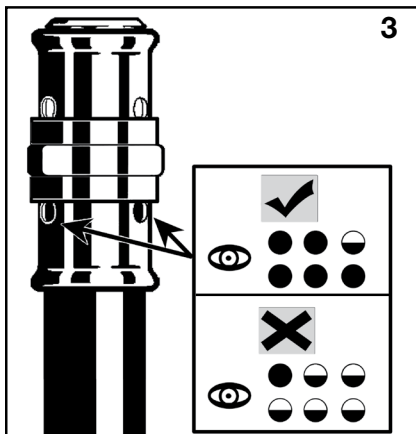
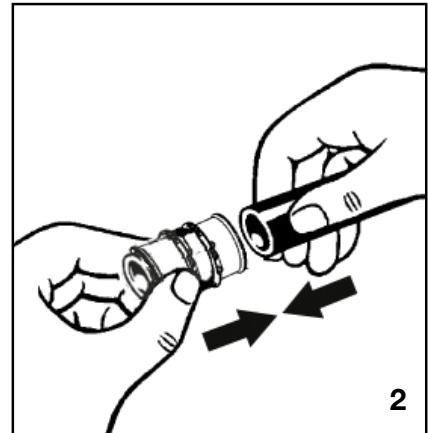
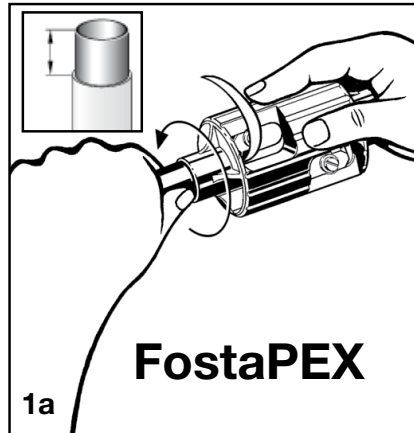
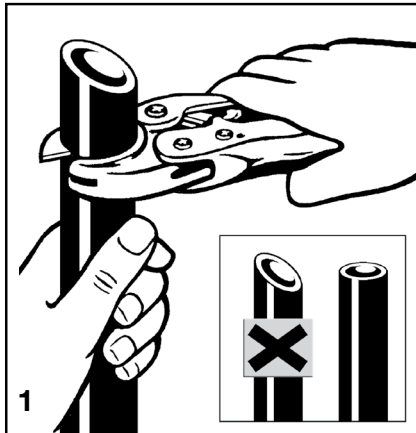
301 N. Main, 9th Floor • Wichita, KS 67202 • Ph: 800-976-9819 • Fax: 316-425-7618 • www.viega.com

©2012, FostaPEX®, GeoFusion®, MegaPress®, ProPress®, Seapress® and Viega® are registered trademarks of Viega GmbH & Co. Climate Mat®, Climate Panel®, Climate Trak®, MANABLOC®, PureFlow®, Radiant Wizard®, S-no-Ice®, Smart Connect®, Snap Panel®, XL® and XL-C® are registered trademarks of Viega LLC. MiniBloc®, PolyAlloy™, ProRadiant™, Rapid Grid™, SmartLoop™ and Zero Lead™ are trademarks of Viega LLC; ProPressG™ and ViegaPEX™ are trademarks of Viega GmbH & Co. KG. RIDGID® is a registered trademark of RIDGID, Inc. Radel®R is a registered trademark of Solvay Advanced Polymers, LLC. LoopCAD® is a registered trademark of Avenir Software Inc.

Product Instructions

viiega

Viega PEX Press Polymer with Power Tool



For more detailed instructions see Viega PEX Water Systems Manual at www.viega.com

Viega... The global leader in plumbing, heating and pipe joining systems

301 N. Main, 9th Floor • Wichita, KS 67202 • Ph: 800-976-9819 • Fax: 316-425-7618 • www.viega.com

©2012, FostaPEX®, GeoFusion®, MegaPress®, ProPress®, Seapress® and Viega® are registered trademarks of Viega GmbH & Co. Climate Mat®, Climate Panel®, Climate Trak®, MANABLOC®, PureFlow®, Radiant Wizard®, S-no-Ice®, Smart Connect®, Snap Panel®, XL-C® and XL-C® are registered trademarks of Viega LLC. MiniBloc®, PolyAlloy™, ProRadiant™, Rapid Grid™, SmartLoop™ and Zero Lead™ are trademarks of Viega LLC; ProPressG™ and ViegaPEX™ are trademarks of Viega GmbH & Co. KG. RIDGID® is a registered trademark of RIDGID, Inc. Radel®R is a registered trademark of Solvay Advanced Polymers, LLC. LoopCAD® is a registered trademark of Avenir Software Inc.