

3M

Aqua-Pure™

Price Book and Product Selection Guide

Effective: February 1, 2015



the clear
Choice for plumbing
Professionals



3M Story

3M captures the spark of new ideas and transforms them into thousands of ingenious products. We're a leader in scores of markets – from health care and highway safety to office products and abrasives and adhesives.

Our success begins with our culture of creative collaboration that inspires a never-ending stream of powerful technologies and product solutions that make life better. We have an ability to apply our technologies – often in combination – to an endless array of real-world customer needs. Of course, all of this is made possible by the people of 3M, and their singular commitment to make life easier and better for people around the world.

3M Company also has hundreds of solutions to help customers reduce energy, air pollution, and waste, use more renewable resources, achieve green building certification, and protect employee health & safety.

3M's long standing commitment to sustainable development through environmental protection, social responsibility and economic progress has resulted in some of the following achievements:

- 2005 U.S. EPA Climate Protection Award
- 2006 U.S. EPA Clean Air Excellence Award
- 2005–2011 Energy Star Sustained Excellence Award for eight consecutive years
- 2009 member of the United States Green Build Council (USGBC)
- 2011 Interbrand ranked 3M #2 on its list of 2011 Best Global Green brands
 - 95% reduction in organic volatile air emissions (1990 - 2011)
 - 40% reduction in water used indexed to net sales (2005 - 2011)
 - 72% reduction in absolute greenhouse gas emissions (1990 - 2010)
 - 68% reduction in waste indexed to net sales (1990 - 2011)
 - 59% reduction in energy efficiency (2000 - 2011)
- 2013: 3M Purification first to achieve WQA Sustainability Certifications under the new WQA Product Sustainability standards:
 - WQA S-801 is a Sustainable Management standard that examines corporate governance actions including: social responsibility; environmental policies, goals and communications; as well as supplier sustainability performance.
 - WQA S-803, is a Product Sustainability standard for Activated Carbon Water Filtration Systems which encompasses cradle-to-grave attributes of a product, including raw material sourcing, manufacturing and assembly, packaging and end-of-life management.

3M is committed to providing innovative, cost-effective products that help protect people, equipment and our environment.



Aqua-Pure™



Why Do Wholesalers and Plumbers Choose 3M™ Aqua-Pure™ Brand?

3M Aqua-Pure branded water filtration and treatment products have been addressing water quality issues for over 50 years. 3M Aqua-Pure products offer a wide range of solutions designed to address many types of water quality concerns. Third-party certifications are an advantage provided on many 3M Aqua-Pure water quality improvement solutions. 3M Aqua-Pure, a household brand name, is a known leader in filtration technology recognized for innovation, trust and quality around the world.



Drinking Water Filtration Systems-Under Sink

Whole House Filtration

Water Treatment

Table of Contents

Section Description	Page
3M™Aqua-Pure™ System Product Selection Guide	3
Drinking Water Filtration Systems	5-7
• Drinking Water Filtration System - Full Flow Solutions.....	5-6
• Drinking Water Filtration System - with Dedicated Faucet	6-7
• In-line Refrigerator/Ice Maker Filtration.....	7
• Drinking Water Filtration Replacement Cartridges	8
• Competitive Replacement Cartridges	8
• Replacement Cartridges For Discontinued Systems.....	9-10
• Drinking Water Filtration System Accessories.....	11
Whole House Filtration Systems - Sanitary Quick Change - (SQC).....	13
• 3M Aqua-Pure 900 Series Replacement Cartridges	13
• Accessories	13
Whole House Filtration Systems - Drop-in Sump Style	14
• Standard Diameter Housing Plastic Housing Filtration Systems	14
• Standard Diameter Housing Replacement Cartridges	14
• Accessories	14
• Large Diameter Plastic Housing Filtration Systems - Heavy Duty Performance	15
• Large Diameter Housing 800 Series Replacement Cartridges.....	15
• Accessories	15
• Standard Diameter Stainless Steel Housing Filtration Systems.....	16
• Standard Diameter Stainless Steel Housing Filtration Replacement Cartridges	16
• Large Diameter Stainless Steel Housing Filtration Systems	17
• Large Diameter Stainless Steel Filtration Replacement Cartridges.....	17
Scale Inhibition System	18
Standard Diameter Whole House Replacement Cartridges	19
• Progressive Porosity – Media Block Particulate Cartridges	19
• Ultra Fine & Extra-Fine Particulate Replacement Cartridges.....	20
Large Diameter Whole House Replacement Cartridges.....	22
• Large Diameter Replacement Cartridges For AP800 Series Systems	22
• Sanitary Quick Change - (SQC) AP900 Series Replacement Cartridges.....	22
Water Softener Systems.....	24-25
Problem Water Systems	26
Backwash Filter Systems	27
Non-Backwash Carbon Filter Systems	28
Iron Reduction Systems	29-30
Acid Neutralizer Systems, Metering Pumps, Solution Tanks	31
3M Aqua-Pure Ultraviolet Light Systems.....	32
Water Treatment Accessories, Water Test Kits.....	33
Media & Resin Selections.....	34
Replacement Parts	37-44
Purwater Replacement Parts & Accessories	45
3M Aqua-Pure 2015 Price Guide Index.....	46-52
Part Number Change Reference Table.....	53
3M Aqua-Pure Sales Policies.....	54-55
3M Aqua-Pure Terms & Conditions.....	55-56

Product Selection Guide

3M™ Aqua-Pure™ water filtration and treatment products provide leading performance, many backed by third party certification. For more information on the entire portfolio please visit www.aquapure.com

Under Sink Drinking Water Systems		Whole House Water Filtration Systems	
Full Flow		Large Capacity, Sanitary Quick Change (SQC)	
<p>3MFF100</p> <ul style="list-style-type: none"> Particulate, Cyst, Lead, Select VOC's* reduction 6,000 gallon capacity – 3X the capacity of our first generation products Flow rate 2.5 gpm <p>Sanitary Quick Change (SQC) 0.2 Nominal Micron Utilizes existing faucet</p> <p>Reduces ■ ■ ■</p>	<p>AP902 Whole House System</p> <ul style="list-style-type: none"> Sediment, Dirt, Rust reduction Tested for up to 100,000 gallons of chlorine life High Flow rates up to 20 gpm Sanitary Quick Change (SQC) <p>Manufactured for FDA CFR-21 compliant materials 5 micron nominal</p> <p>Reduces ■</p>		
<p>AP Easy Cyst-FF and AP Easy CS-FF</p> <ul style="list-style-type: none"> Sediment, Chlorine Taste & Odor, Cyst** reduction (**Cyst-FF only) 2000 gallon capacity 1.5 gpm flow rate Sanitary Quick Change (SQC) <p>Built in shut off valve Installation Kit Included</p> <p>Reduces ■ ■</p>	<p>AP903 Whole House System</p> <ul style="list-style-type: none"> Sediment, Dirt, Rust, Chlorine Taste & Odor reduction Tested for up to 100,000 gallons of chlorine life High Flow rates up to 20 gpm Sanitary Quick Change (SQC) <p>Manufactured for FDA CFR-21 compliant materials 5 micron nominal</p> <p>Reduces ■ ■</p>		
Dedicated Faucet		AP904 Whole House System	
<p>AP Easy Complete</p> <ul style="list-style-type: none"> Chlorine Taste & Odor, Cyst, Lead, Mercury, Select VOC's* reduction 5 nominal micron rating Sanitary Quick Change (SQC) <p>Reduces ■ ■ ■</p>	<p>AP Easy CS-S</p> <ul style="list-style-type: none"> Chlorine Taste & Odor reduction 5 nominal micron rating Sanitary Quick Change (SQC) <p>Reduces ■ ■</p>	<p>AP Easy LC</p> <ul style="list-style-type: none"> Chlorine Taste & Odor, Cyst, Lead reduction 5 nominal micron rating Sanitary Quick Change (SQC) <p>Reduces ■ ■ ■</p>	<p>AP904 Whole House System</p> <ul style="list-style-type: none"> Sediment, Dirt, Rust, Chlorine Taste & Odor, Scale reduction Tested for up to 100,000 gallons of chlorine life High Flow rates up to 20 gpm Sanitary Quick Change (SQC) <p>Reduces ■ ■ ■</p>
Reverse Osmosis		Standard Capacity/Large Capacity Sump Style Housings	
<p>AP-DWS1000</p> <ul style="list-style-type: none"> Chlorine Taste & Odor, Cyst, Lead, Select VOC's*, MTBE reduction 625 gallon capacity 0.6 gpm flow rate Sanitary Quick Change (SQC) <p>5 nominal micron rating Advanced dual stage carbon block filtration system Built in automatic shut off meter Installation kit included</p> <p>Reduces ■ ■ ■</p>	<p>AP801 with AP810 cartridge</p> <ul style="list-style-type: none"> Sediment, Rust reduction 20 gpm flow rate Manufactured from FDA CFR-21 compliant materials Pressure Relief Button <p>Selection of replacement cartridges for custom filter application Valve in Head 5 nominal micron rating</p> <p>Reduces ■</p>		
<p>APRO5500</p> <ul style="list-style-type: none"> Arsenic, Cyst, TDS, Cadmium, Lead, Chromium, Turbidity reduction 8.28 gpd production rate Sanitary Quick Change (SQC) <p>Advanced four stage filtration process Automatic shut-off Installation Kit included</p> <p>Reduces ■ ■ ■</p>	<p>AP101T with AP110 Cartridge</p> <ul style="list-style-type: none"> Sediment, Rust reduction 8 gpm flow rate Blue Head Transparent Sump <p>Piston Seal allows for variance in cartridge length Valve in Head 5 nominal micron rating</p> <p>Reduces ■</p>		
In-line Filters for Refrigerators/Ice Makers		Scale Inhibition	
<p>AP717</p> <ul style="list-style-type: none"> Sediment, Rust, Chlorine Taste & Odor and Scale reduction 1,500 gallons filter life Premium performance progressive porosity <p>125 psi pressure rated design Packed with plumbing fittings and installation hardware 5 micron nominal</p> <p>Reduces ■ ■ ■</p>	<p>SS4 EPE-316L with APS117</p> <ul style="list-style-type: none"> Sediment, Chlorine Taste and Odor and Scale inhibitor reduction 3 gpm flow rate Scale inhibitor Wetted welded surfaces are durable 316L Stainless Steel 5 nominal micron rating <p>Reduces ■ ■ ■</p>		
<p>IL-IM-01</p> <ul style="list-style-type: none"> Sediment, Rust, Chlorine taste & odor and Scale reduction 2,500 gallons filter life Premium performance progressive porosity 125 psi pressure rated design Packed with plumbing fittings and installation hardware 0.5 gpm flow rate <p>Reduces ■ ■</p>	<p>AP430SS with AP431 Cartridge</p> <ul style="list-style-type: none"> Scale inhibitor 10 gpm flow rate Helps to protect hot water heaters from corrosion Easy to install and change out cartridge Stainless steel head <p>Reduces ■</p>		
Water Treatment		Problem Water Systems	
<p>CWS100ME</p> <ul style="list-style-type: none"> Helps to reduce dissolved "rock hard minerals" from your water Quick and easy installation Smart electronics to monitor water consumption automatically <p>Reduces ■ ■</p>	<p>APIF150DM</p> <ul style="list-style-type: none"> Reduces Iron No chemicals, chlorine, salt or potassium permanganate needed New dome hole for easier media replacement <p>Reduces ■</p>		

Problem	Symptoms
■ Particulate	Cloudy or discolored water, clogged faucet aerators, leaking valves and faucets
■ Chlorine Taste and Odor	Unpleasant organic taste, chlorine smell, musty smell
■ Iron	Metallic taste in beverages and food, red, brown or rusty stains on clothing and/or plumbing fixtures
■ Chemicals and Lead	Water contamination from agricultural and/or industrial chemicals potential lead based plumbing systems
■ Hard Water	Soap deposits on dishes and clothing, soap curds in bathtub, scale in water heaters, clothes appear grey and unclean
■ Scale	White/grey mineral deposits, build-up in hot water pipes, decreased water heater life

*Select VOC's Benzene, Toxaphene and Dichlorobenzene-P

Drinking Water Filtration Systems - Under Sink

The Challenge:

Better tasting water at home, saving money spent on bottled water and, not having the hassle of lugging the bottles home, and helping to protect the environment from additional water bottle which may end up in waste in land fills.

The Solution:

When a whole house system is not warranted, under sink systems can deliver great tasting water right from the faucet - helping to save both time and money. A large selection of systems and cartridges are available to provide a range of contaminant reduction for a home owner's individual needs.

Full Flow Solutions*

- Reduces range of contaminants including Particulate, Chlorine Taste & Odor, Cysts, Lead and Select VOCs
- Particulate filtration down to 0.2 Nominal Micron Rating
- Up to 6,000 gallon capacity
- Uses existing faucet for full flow
- Tested Flow Rate up to 2.5 gpm
- Quick and easy to install – under sink, out of sight
- Sanitary Quick Change (SQC) for quick and easy cartridge replacement



AP200

AP510

AP Easy CS-FF

AP Easy Cyst-FF

3MFF100

Dedicated Faucet Solutions*

- Reduces range of contaminants including Particulate, Chlorine Taste and Odor, Cyst, Lead, Mercury, Turbidity and select VOCs
- Particulate filtration down to 0.5 Nominal Micron Rating
- Uses Dedicated Faucet
- Sanitary Quick Change (SQC) for quick and easy cartridge replacement
- Built-in shut off valve



AP Easy LC

AP Easy CS-S

AP Easy Complete

AP-DWS1000

AP-R05500

*Specific product performance claims vary by product. Please see www.aquapure.com specific product performance claims.

Drinking Water Filtration Systems - Full Flow Solutions

Benefits of 3M™ Aqua-Pure™ Filtration:

A broad portfolio of Filtration Systems and replacement cartridges are available to provide custom solutions that homeowners demand – from basic water quality improvements to sophisticated contaminant claims.

Public or private well supply, 3M Aqua-Pure branded products help provide you with cleaner, clearer, better tasting water!

3MFF100 Full Flow Drinking Water System

Features:

- Newest member of the 3M Aqua-Pure filtration family
- Advanced drinking water system has a 6,000 gallon capacity – three times the capacity of first generation products
- Significantly reduces particulate, chlorine taste & odor, cysts and lead
- 0.2 Nominal Micron Rating for particulate reduction
- Tested flow rate of 2.5 gallons per minute.
- Minimal under sink space required. No need to drill holes in sink for a separate faucet that could affect kitchen décor
- Full flow filtration to your existing kitchen or bath faucet.
- Utilizing our Sanitary Quick Change (SQC) cartridge design for easy cartridge change-out with Built-in shut off valve – no need to turn off water.
- Max Temp 100°F/37.8°C - Max Pressure 125 psi/862 kPa



This system is certified for sustainability attributes by the Water Quality Association according to WQA S-803



Model Number	Part Number/ 3M ID	Case Lot	Pk	Cartridge Included	Description	Flow Rate (gpm/lpm)	Filter Capacity (gal/lit)	Reduction Claims	Case Weight (lbs/kg)	UPC Code	List Price
3MFF100	5616318/ 70020249671	6	ST	3MFF101	Full-Flow Undersink 0.2 µm nominal 3/8" NPT System	2.5/9.5	6,000/ 22,712	Particulate, CTO, Lead, Cysts & Select VOCs	9.5/4.3	00016145233111	\$350.00 ea
3MFF101	5613432/ 70020249663	6	ST	N/A	Replacement Cartridge	2.5/9.5	6,000/ 22,712	Particulate, CTO, Lead, Cysts & Select VOCs	5.9/2.7	00016145233104	\$275.00 ea

Select VOC's include: Benzene, Toxaphene & P-Dichlorobenzene

AP Easy Full Flow Drinking Water Systems

Features:

- Full flow filtration to your existing kitchen or bath faucet, utilizing our Sanitary Quick Change (SQC) cartridge design
- Built-in shut off valve – no need to turn off water for cartridge change
- Installation kit included



AP Easy Full Flow Drinking Water Filtration Systems



CS-FF

Model Number	Part Number/ 3M ID	Case Lot	Pk	Cartridge Included	Description	Flow Rate (gpm/lpm)	Filter Capacity (gal/lit)	Reduction Claims	Case Weight (lbs/kg)	UPC Code	List Price
CS-FF	5631103/ 70020320159	4	ST	C-CS-FF	Full-Flow Undersink 0.5 µm nominal 3/8" Quick Connect System	2/7.6	2,000/ 7,571	CTO/ 5 µm nominal Particulate	9.5/4.3	00051128889268	\$145.00 ea
Cyst-FF	5609223/ 70020109503	4	ST	C-Cyst-FF	Full-Flow Undersink 0.5 µm nominal 3/8" Quick Connect System	1.5/5.7	2,000/ 7,571	CTO/Cyst/ 0.5 µm nominal Particulate	11.1/5	00016145102561	\$157.50 ea
C-CS-FF	5632108/ 70020320191	4	ST	N/A	Replacement Cartridge	2/7.6	2,000/ 7,571	CTO/ 5 µm nominal Particulate	5.9/2.7	00051128889275	\$70.00 ea
C-Cyst-FF	5610428/ 70020109529	4	ST	N/A	Replacement Cartridge	1.5/5.7	2,000/ 7,571	CTO/Cyst/ 0.5 µm nominal Particulate	7.3/3.3	00016145607608	\$82.50 ea

ST = STANDARD PACK CTO = CHLORINE TASTE & ODOR µm = MICRON

AP510 Full Flow Drinking Water Filtration System

Features:

- Triple action filtration and treatment system
- Built-in automatic shut-off valve
- Easy to install and change-out cartridge



AP510 Drinking Water Filtration System



Model Number	Part Number/ 3M ID	Case Lot	Pk	Cartridge Included	Description	Flow Rate (gpm/lpm)	Filter Capacity (gal/lit)	Reduction Claims	Case Weight (lbs/kg)	UPC Code	List Price
AP510	5592209/ 70020320076	4	ST	AP517	Full-Flow Undersink 3/8" NPT Vertical	1.75/6.6	2,000/ 7,571	CTO/ 5 µm nominal Sediment/ Scale Inhibitor	10/4.5	00051128889299	\$265.00 ea
AP517	AP51711/ 70020320308	12	ST	N/A	Replacement Cartridge	1.75/6.6	2,000/ 7,571	CTO/ 5 µm nominal Sediment/ Scale Inhibitor	18/8.2	00051128889329	\$116.60 ea
	AP51712/ 70020320316	24	BK	N/A	Replacement Cartridge	1.75/6.6	2,000/ 7,571		38/17.2	00051128889336	\$103.38 ea

ST = STANDARD PACK µm = MICRON

AP200 Full Flow Drinking Water Filtration System

Features:

- Offers space-saving compact design with a premium performance dual action cartridge
- Easy to install and change-out cartridge
- Multi-stage filtration
- Built-in shut off valve — no need to turn off water for cartridge change



AP200 Full Flow Drinking Water Filtration System



Model Number	Part Number/ 3M ID	Case Lot	Pk	Cartridge Included	Description	Flow Rate (gpm/lpm)	Filter Capacity (gal/lit)	Reduction Claims	Case Weight (lbs/kg)	UPC Code	List Price
AP200	5528901/ 70020007418	4	ST	AP217	Full-Flow Undersink 3/8" NPT	1.75/6.6	2,000/ 7,571	CTO/ 5 µm nominal Particulate	10/4.5	00016145002007	\$204.92 ea
AP217	5578604/ 70020318823	12 2pk	ST	N/A	Replacement Cartridge	1.75/6.6	2,000/ 7,571	CTO/ 5 µm nominal Particulate	19/8.6	00051128888452	\$125.42 2pk
	5578605/ 70020318831	36	BK	N/A	Replacement Cartridge	1.75/6.6	2,000/ 7,571		25/11.3	00051128888469	\$2,031.79 blk

ST = STANDARD PACK BK = BULK PACK µm = MICRON

Drinking Water Filtration Systems - with Dedicated Faucet

AP-RO5500 Reverse Osmosis Filtration System

Features:

- Automatic shut-off
- Installation kit included (includes faucet)/AP-RO5500 LF does not have faucet
- Advanced four stage filtration process: 5 micron nominal Particulate/rust filtration, activated carbon filtration, reverse osmosis and final activated carbon polishing filtration



AP-RO5500 Reverse Osmosis Filtration System



AP-RO5500

Model Number	Part Number/ 3M ID	Case Lot	Pk	Cartridge Included	Description	Daily Production Rate** (gpd/lpd)	Reduction Claims	Case Weight (lbs/kg)	UPC Code	List Price
AP-RO5500	5598201/ 70020007889	1	ST	AP5527 & AP5500RM	Undersink — RO	8.28/31.3	Arsenic, cysts, TDS, cadmium, lead, chromium, turbidity	27/12.2	00016145550010	\$699.00 ea
AP-RO5500 LF	5598203/ 70020017987	1	ST		Undersink — RO Faucet Not Included	8.28/31.3		17/7.7	00016145603792	\$624.00 ea
AP5527	5631201/ 70020320084	6	ST	N/A	Prefilter & Postfilter	N/A	CTO	18/8.2	00051128889343	\$148.86 set
AP5500RM²	5608401/ 70020019231	1	ST	N/A	RO Module	8.28/31.3		3/1.4	00016145008481	\$200.00 ea

ST = STANDARD PACK CTO = CHLORINE TASTE & ODOR µm = MICRON

Reverse Osmosis System Accessories

Model Number	Part Number/ 3M ID	Description	UPC Code	List Price
APRO-ST	56-18125/ 70020170745	2.0 Gallon Polypropylene Storage-tank	00016145165306	\$53.43 ea

AP-DWS1000 Drinking Water System

Features:

- Advanced dual stage carbon block filtration system
- Built-in automatic shut off meter
- SQC cartridge design
- Installation kit included (includes faucet)/AP-DWS1000 LF does not have faucet



2007 & 2010



AP-DWS1000 Drinking Water Filtration System



AP-DWS1000

Model Number	Part Number/ 3M ID	Case Lot	Pk	Cartridge Included	Description	Flow Rate (gpm/lpm)	Filter Capacity (gal/lit)	Reduction Claims	Case Weight (lbs/kg)	UPC Code	List Price
AP-DWS1000	5583101/ 70020007731	1	ST	AP-DW80 & AP-DW90	Undersink — DWS 1/4" Quick Connect, 0.5 µm nominal	0.6/2.3	625/ 2,366	CTO/Lead/ Cyst/ VOC/MTBE	10/4.5	00016145100017	\$582.80 ea
AP-DWS1000 LF²	5583103/ 70020002427	1	ST		Undersink — DWS 1/4" Quick Connect Faucet Not Included, 0.5 µm nominal	0.6/2.3	625/ 2,366		10/4.5	00016145603785	\$522.80 ea
AP-DW80/90	5585102/ 70020002427	4	ST	N/A	Replacement	0.6/2.3	625/ 2,366	CTO/Lead/	20/9.1	00016145080906	\$198.46 set

² Not NSF Listed ST = STANDARD PACK µm = MICRON

AP Easy Drinking Water Systems

Features:

- Compact size
- Under-sink single cartridge system, using our SQC cartridge design & a dedicated faucet
- Built-in shut off valve-no need to turn off water for cartridge change
- Installation kit included (includes faucet)



AP Easy Drinking Water Filtration Systems



Complete

Model Number	Part Number/ 3M ID	Case Lot	Pk	Cartridge Included	Description	Flow Rate (gpm/lpm)	Filter Capacity (gal/lit)	Reduction Claims	Case Weight (lbs/kg)	UPC Code	List Price
CS-S	5617932/ 70020321009	6	ST	C-CS-S	Undersink — DWS 5 µm nominal 1/4" Quick Connect	0.75/2.8	750/ 2,839	CTO	12.8/5.8	00051128889022	\$200.00 ea
LC	5617933/ 70020321017	6	ST	C-LC	Undersink — DWS 0.5 µm nominal 1/4" Quick Connect	0.75/2.8	750/ 2,839	CTO/Lead/Cyst	12.9/5.9	00051128889008	\$225.00 ea
Complete	5617931/ 70020320993	6	ST	C-Complete	Undersink — DWS 0.5 µm nominal 1/4" Quick Connect	0.75/2.8	750/ 2,839	CTO/Lead/ Cyst/Mercury/ VOCs ¹	14.3/6.5	00051128889152	\$250.00 ea
C-CS-S	5618045/ 70020321157	6	ST	N/A	Replacement Cartridge	0.75/2.8	750/ 2,839	CTO	5/2.3	00051128888988	\$65.00 ea
C-LC	5618046/ 70020321165	6	ST	N/A	Replacement Cartridge	0.75/2.8	750/ 2,839	CTO/Lead/Cyst	5.2/2.4	00051128889046	\$90.00 ea
C-Complete	5618044/ 70020321140	6	ST	N/A	Replacement Cartridge	0.75/2.8	750/ 2,839	CTO/Lead/ Cyst/Mercury/ VOCs ¹	6.2/2.8	00051128889121	\$115.00 ea

¹ Limited VOCs include: Lindane, Atrazine, Benzene, Carbofuran, P-dichlorobenzene and Toxaphene µm = MICRON
ST = STANDARD PACK CTO = CHLORINE TASTE & ODOR µm = MICRON

AP Easy Cooler Series (same as AP Easy Drinking Water Systems less faucet)



Complete Cooler

Model Number	Part Number/ 3M ID	Case Lot	Pk	Cartridge Included	Description	Flow Rate (gpm/lpm)	Filter Capacity (gal/lit)	Reduction Claims	Case Weight (lbs/kg)	UPC Code	List Price
CS-S Cooler	5617935/ 70020321033	6	ST	C-CS-S	Undersink — DWS 5 µm nominal 1/4" Quick Connect	0.75/2.8	750/ 2,839	CTO	8.1/3.7	00051128894330	\$140.00 ea
LC Cooler	5617936/ 70020321041	6	ST	C-LC	Undersink — DWS 0.5 µm nominal 1/4" Quick Connect	0.75/2.8	750/ 2,839	CTO/Lead/Cyst	8/3.6	00051128894347	\$165.00 ea
Complete Cooler	5617934/ 70020321025	6	ST	C-Complete	Undersink — DWS 0.5 µm nominal 1/4" Quick Connect	0.75/2.8	750/ 2,839	CTO/Lead/ Cyst/Mercury/ Turbidity/ VOCs ¹	9.4/4.3	00051128894323	\$190.00 ea

¹ Limited VOCs include: Lindane, Atrazine, Benzene, Carbofuran, P-dichlorobenzene and Toxaphene
ST = STANDARD PACK CTO = CHLORINE TASTE & ODOR µm = MICRON

In-Line Filtration for Refrigerators/Ice Makers



AP717



IL-IM-01

Refrigerator/Ice Maker Systems

In-line Filtration for Refrigerators/Ice Makers

- Premium performance Progressive Porosity filtration
- Standard 1/4" NPT (AP717) and 1/4" push-in (IL-IM-01) inlet/outlet connections
- Manufactured with FDA CRF-21 compliant materials
- 125 psi pressure rated design
- 100°F (37.8°C) maximum operating temperature

Benefits of 3M™ Aqua-Pure™ Filtration:

3M Aqua-Pure makes a full line of refrigerator/icemaker filters to keep your ice tasting, smelling and looking fresh. Used in appliances with ice and water dispensers, 3M Aqua-Pure filters helps reduce sediment, rust, chlorine taste and odor and scale. They can also be used for drinking fountains, coffee machines and drink dispensers.

Upgrade your appliance today and begin enjoying improved ice and water quality with the added benefit of reduced maintenance and service costs over the appliance's service life.



Model Number	Part Number/3M ID	Case Lot	Cartridge Included	Pk	Flow Rate (gpm/lpm)	Filter Life (gal./lit.)	Connect	Reduction Claims	Description	Case Weight (lbs/kg)	UPC Code	List Price
AP717	5560222/ 70020318864	12	N/A	ST	0.5/1.9	1,500/ 5,678	1/4" NPT x 1/4" Compr.	CTO/ Scale	In-line	12/5.4	00051128889947	\$46.34 ea
IL-IM-01	5617202/ 70020109560	10	N/A	ST	0.5/1.9	2,500/ 9,464	1/4" Push	CTO	In-line	7.6/3.5	00016145066160	\$32.62 ea

CTO = CHLORINE TASTE & ODOR ST = STANDARD PACK

Drinking Water Filtration Replacement Cartridges



Model Number	Part Number/ 3M ID	Case Lot	Pk	Cartridge Included	Description	Flow Rate (gpm/lpm)	Filter Capacity (gal/lt)	Reduction Claims	Case Weight (lbs/kg)	UPC Code	List Price
3MFF101	5613432/ 70020249663	6	ST	N/A	Replacement Cartridge	2.5/9.5	6,000/ 22,712	Particulate, CTO, Lead, Cysts & Select VOCs*	5.9/2.7	00016145233104	\$275.00 ea
AP217	ok	12 2pk	ST	N/A	Replacement Cartridge	1.75/6.6	2,000/ 7,571	CTO/ 5 µm nominal Sediment	19/8.6	00051128888452	\$125.42 2pk
	5578605/ 70020318831	36	BK	N/A	Replacement Cartridge	1.75/6.6	2,000/ 7,571		25/11.3	00016145106576	\$2,031.79 blk
AP517	AP51711/ 70020320308	12	ST	N/A	Replacement Cartridge	1.75/6.6	2,000/ 7,571	CTO/ 5 µm nominal Sediment/ Scale Inhibitor	18/8.2	00051128889329	\$116.60 ea
	AP51712/ 70020320316	24	BK	N/A	Replacement Cartridge	1.75/6.6	2,000/ 7,571		38/17.2	00051128889336	\$103.38 ea
C-CS-FF	5632108/ 70020320191	4	ST	N/A	Replacement Cartridge	2/7.6	2,000/ 7,571	CTO/ 5 µm nominal Sediment	5.9/2.7	00051128889275	\$70.00 ea
C-Cyst-FF	5610428/ 70020109529	4	ST	N/A	Replacement Cartridge	1.5/5.7	2,000/ 7,571	CTO/Cyst/ 0.5 µm nominal Particulate	7.3/3.3	00016145607608	\$82.50 ea
C-CS-S	5618045/ 70020321157	6	ST	N/A	Replacement Cartridge	0.75/2.8	750/ 2,839	CTO	5/2.3	00051128888988	\$65.00 ea
C-LC	5618046/ 70020321165	6	ST	N/A	Replacement Cartridge	0.75/2.8	750/ 2,839	CTO/Lead/Cyst	5.2/2.4	00051128889046	\$90.00 ea
C-Complete	5618044/ 70020321140	6	ST	N/A	Replacement Cartridge	0.75/2.8	750/ 2,839	CTO/Lead/ Cyst/Mercury/ VOCs ¹	6.2/2.8	00051128889121	\$115.00 ea
AP-DW80 and AP-DW90	5585102/ 70020002468	4	ST	N/A	Replacement Cartridge	0.6/2.3	625/ 2,366	CTO/Lead/ Cyst/ VOC/MTBE	20/9.1	00016145080906	\$198.46 set
AP5527	5631201/ 70020320084	6	ST	N/A	Prefilter & Postfilter	0.75/2.8	2500/ 9463	CTO	18/8.2	00051128889343	\$148.86 set
AP5500RM²	5608401/ 70020019231	1	ST	N/A	RO Module	8.28/31.3		N/A	3/1.4	00016145008481	\$200.00 ea

*Select VOC's include: Benzene, Toxaphene & P-Dichlorobenzene

ST = STANDARD PACK BK = BULK PACK µm = MICRON CTO = CHLORINE TASTE & ODOR

¹ Limited VOCs include: Lindane, Atrazine, Benzene, Carbofuran, P-dichlorobenzene and Toxaphene

² Not NSF Listed

Replacement Cartridges For Discontinued Systems

Model Number	Part Number/ 3M ID	Case Lot	Pk	Flow Rate (gpm/lpm)	Description	Case Wt. (lbs/kg)	UPC Code	List Price	
AP300/AP305	Discontinued		SYSTEM		Replaced by AP310				
AP317	AP31710/ 70020319250	12 ea		ST	0.5/1.9	5 µm nominal Particulate & Rust/ Chlorine Taste & Odor/ Scale Inhibitor/ Replacement Cartridge	12/5.4	00051128890578	\$99.96 ea
	AP31709/ 70020041425	36 ea		BK	0.5/1.9	5 µm nominal Particulate & Rust/ Chlorine Taste & Odor/ Scale Inhibitor/ Replacement Cartridge	27/12.2	00051128889855	\$92.46 ea
µm = MICRON									
AP450	Discontinued		SYSTEM		Replaced by AP310				
AP26T	Discontinued		SYSTEM						
AP500	Discontinued		SYSTEM		Replaced by Model AP510				
AP517	AP51711/ 70020320308	12 ea		ST	2/7.6	5 µm nominal Sediment & Rust/ Chlorine Taste & Odor/ Scale Inhibitor/ Replacement Cartridge	18/8.2	00051128889329	\$116.60 ea
	AP51712/ 70020320316	24 ea		BK	2/7.6	5 µm nominal Sediment & Rust/ Chlorine Taste & Odor/ Scale Inhibitor/ Replacement Cartridge	38/17.2	00051128889336	\$103.38 ea
µm = MICRON									
AP12T/AP12S/AP102S	Discontinued		SYSTEM		Replaced by AP102T				
See Page 14					Any 2.5" x 19.5" Cartridge				
AP310	Discontinued		SYSTEM		Replaced by IL-IM Series				
AP327	5553637/ 70020318922	10 ea		ST	0.5/1.9	Chlorine Taste Odor & Scale	10/4.5	00051128889954	\$54.21 ea
APIL3	Discontinued		SYSTEM		Replaced by AP717				
APIL3R	5605312/ 70020018738	10 ea		ST	0.5/1.9	Sediment & Rust/ Chlorine Taste & Odor/Scale		00016145333118	\$65.91 ea

Replacement Cartridges For Discontinued Systems

Model Number	Part Number/ 3M ID	Case Lot	Pk	Flow Rate (gpm/lpm)	Reduction Claims	Case Wt. (lbs/kg)	UPC Code	List Price	
AP-RO5000	Discontinued		SYSTEM		Replaced by Model: AP-RO5500				
AP-RO5000 HF	Discontinued		SYSTEM		Replaced by Model: AP-RO5500				
AP110	5620404/ 70020162759	5 – 2 pk.		NP	8/30.3	Particulate Prefilter	13/5.9	00016145110009	\$36.45 2pk
AP117RO	5577811/ 70020318641	1 ea		ST	3/11.4	Carbon Prefilter & Postfilter	40/18.1	00016145073946	\$43.89 ea
RM-TFC	Discontinued						–		

APRO3	Discontinued		SYSTEM		Replaced by Model: AP-RO5500			
--------------	--------------	--	--------	--	---------------------------------	--	--	--

AP400SS	Discontinued		SYSTEM						
AP410	5560906/ 70020319284	2 pk.		ST	10/37.9	Particulate/Rust/ Scale Inhibitor	6/2.7	00051128888407	\$109.41 2pk

AP-DWS700	Discontinued		SYSTEM		Replaced by Complete				
AP-DWS750	Discontinued		SYSTEM		Replaced by LC				
AP-DWS250	Discontinued		SYSTEM		Replaced by CS-S				
AP-DW85	5584408/ 70020002450	6 ea		ST		Chlorine Taste & Odor	6/2.7	00016145410123	\$80.16 ea
AP-250R	5631801/ 70020319326	1 ea		ST		Chlorine Taste & Odor	8/3.6	51128889305	\$54.59 ea
AP-DW70	5584504/ 70020016500	1 ea		ST		Chlorine Taste & Odor	12/5.4	00016145073533	\$80.23 ea

* Tested and verified by manufacturer's laboratory.

AP11S	Discontinued		SYSTEM		Replaced by AP11T			
See page 14-15					Any 2.5" x 9.75" Cartridge			

AP51T

AP51T	Discontinued		SYSTEM						
AP117	5541731/ 70020318526	5 – 2pk	3.0 x 9.75	NP	3/11.4	Chlorine Taste Odor/Sediment	13/5.9	N/A	\$85.86 2pk

Drinking Water Filtration System Accessories

Designer Drinking Water Faucets

The Point-of-Use decorative faucets come with an air-gap kit for use with reverse osmosis systems like the APRO5500. The long reach, full rotation, high reach 12" neck arches gracefully over the sink for ease of use. The base diameter is 2-1/4" (57mm) and all mounting hardware is included. The faucet comes with factory installed 36" length tubing for easy installation. The faucets are NSF61 listed.



6BG-CRM

Model Number	Part Number/ 3M ID	Case Lot	Description	UPC Code	List Price
6BG-CRM	6221533/ 70020168913	1	Air Gap, Non-Air Gap, Long Reach Faucet — Polished Chrome	00016145163500	\$232.93 ea
6BG-STN	6221534/ 70020168921	1	Air Gap, Non-Air Gap, Long Reach Faucet — Satin Nickel	00016145163517	\$267.91 ea
6BG-ATB	6221535/ 70020168939	1	Air Gap, Non-Air Gap, Long Reach Faucet — Antique Bronze	00016145163524	\$267.91 ea
6BG-BTN	6221536/ 70020168947	1	Air Gap, Non-Air Gap, Long Reach Faucet — Bright Nickel	00016145163531	\$267.91 ea
6BG-BSS	6221537/ 70020168954	1	Air Gap, Non-Air Gap, Long Reach Faucet — Brushed Stainless Steel	00016145163548	\$297.63 ea

Standard Drinking Water Faucets



NEW Design!

Model Number	Part Number/ 3M ID	Case Lot	Description	UPC Code	List Price
62215-44	6221544/ 70020303833	1	Stainless Steel Air Gap, Long Reach Faucet — Polished Chrome Finish	00054007971658	\$77.63 ea
62215-45	6221545/ 70020238823	1	Stainless Steel Non-Air Gap, Long Reach Faucet — Polished Chrome Finish	00054007974925	\$62.10 ea

Drinking Water Filtration Systems Accessories

Reverse Osmosis System Accessories

Model Number	Part Number/ 3M ID	Description	UPC Code	List Price
APRO-ST	56-18125/ 70020170745	2.0 Gallon Polypropylene Storage-tank	00016145165306	\$49.23 ea

Tubing

Model Number	Part Number/ 3M ID	Description	UPC Code	List Price
3/8 Blue	82-11302/ 70020030121	Blue 3/8" Tubing	00016145016738	\$0.87 ft
1/4 Blue	82-11202/ 70020030071	Blue 1/4" Tubing	00016145016684	\$0.49 ft

Point of Entry – Whole House

The Challenge:

Whole House Filtration that helps to reduce contaminants such as particulate, rust, scale, precipitated iron, minerals. Providing protection to all water using appliances and plumbing fixtures throughout the home

The Solution:

3M™ Aqua-Pure™ Whole House Water Filtration Systems solutions include a full range of Quick Change Systems and Drop-in Sump Style Systems

Quick Change Systems*

- A range of contaminant reduction cartridges available for specific filtration needs including Sediment, Dirt, Rust, Scale and Chlorine Taste and Odor
- Tested up to 100,000 gallons chlorine reduction @ 10 gpm
- Peak Flow Rate – up to 20 gpm
- Sanitary Quick Change (SQC) for quick and easy cartridge replacement

Drop-in Style Systems*

- Filters reduce a range of contaminants including Sediment, Rust, Scale, Precipitated Iron
- Choose from several replacement cartridges for specific customer applications
- Many styles are available including Standard Capacity/Large Capacity, Plastic/Stainless Steel
- Manufactured from FDA CFR-21 compliant materials

*Specific product performance claims vary by product. Please see www.aquapure.com specific product performance claims.



AP902

AP903

AP904



AP101T

AP801

AP1610SS

SS8
EPE-316L

Whole House Filtration Systems Sanitary Quick Change (SQC)



AP904



AP917HD-S

AP900 Series High Flow Filtration Systems

Benefits of 3M™ Aqua-Pure™ High Flow Filtration Systems

Used at the point of entry, the AP900 Series High Flow Filtration System helps reduce sediment, rust, scale, precipitated iron/minerals from water using appliances and plumbing fixtures throughout the home or light commercial/industrial applications. Tested for up to 100,000 gallons of chlorine life* these cartridges require no wrench for cartridge change-out which are virtually spill-free.

- High flow rates up to 20 gpm for larger homes, light commercial/industrial applications
- For use with SQC style Sediment or CTO cartridge
- 304 SS Head with 1" NPT inlet/outlet connections
- Die cast zinc anti-rotation collar & locking latch
- Manufactured from FDA CFR-21 compliant materials



COMPONENT

AP910R, AP917HD, AP917HD-S

Model Number	Part Number/ 3M ID	Case Lot	Ctg. Incl.	Includes	Maximum Temp (°F/°C)	Maximum Pressure (psi/kPa)	Flow Rate (gpm/lpm)	Size (approx.) (in/cm)	Housing Material And Style*	Case Weight (lbs/kg)	UPC Code	Sugg. List
AP902	5621101/ 70020204353	1	AP910R 5621001	MB	100/37.8	125/862	20/75.7	25-1/16 x 4 (63.7 x 10.2)	SS Head, Blue Sump	7/3.2	00016145191930	\$393.48 ea
AP903	5621102/ 70020204361	1	AP917HD 5621006	MB	100/37.8	125/862	20/75.7	25-1/16 x 4 (63.7 x 10.2)	SS Head, Blue Sump	7.5/3.4	00016145191947	\$468.49 ea
AP904	5621104/ 70020284975	1	AP917HD-S 5621008	MB	100/37.8	125/862	20/75.7	25-1/16 x 4 (63.7 x 10.2)	SS Head, Blue Sump	7.5/3.4	0001645266997	\$532.45 ea
AP910R	5621001/ 70020204460	1	N/A	N/A	100-37.8	125/862	Incl. with AP902 Fine (5 µm nominal) Sediment/Dirt/Rust			3.5/1.6	00016145192043	\$204.32 ea
AP917HD	5621006/ 70020269687	1	N/A	N/A	100/37.8	125/862	Incl. with AP903, Fine (5 µm nominal) Sediment/Dirt/Rust up to 100,000 gallons Chlorine Taste and Odor			3/1.4	00016145252303	\$279.33 ea
AP917HD-S	5621008/ 70020273929	1	N/A	N/A	100/37.8	125/862	Incl. with AP904, Fine (5 µm nominal) Sediment/Dirt/Rust/Scale up to 100,000 gallons Chlorine Taste and Odor			3/1.4	00016145256547	\$343.29 ea

MB = MOUNTING BRACKET INCLUDED

Accessories

6223601	6223601 70020200922	1	Mounting Kit for AP900 Series (Bracket, Screw, Locking Washer)							1/0.5	00016145188725	\$14.53 ea
6223201	6223201 70020273937	1	Head assembly							4/1.8	00016145256523	\$200.51 ea

* AP910R, AP917HD & AP917HD-S only. Results may vary depending on water condition.

Whole House Filtration Systems - Drop-in Sump Style

Standard Diameter Plastic Housing Filtration Systems



- Standard 3/4" NPT connections
- For use with industry standard size cartridges: 2-1/2" to 3" O.D. x 9-3/4" (single)
- Piston seal allows for variance in cartridge length
- Manufactured from Food and Drug Administration (FDA) CFR-21 compliant materials

Model AP102T also:

- Accepts two integral length 9-3/4" length cartridges or one 19-1/2" length cartridge
- Includes center-post for proper cartridge alignment

Benefits of 3M™ Aqua-Pure™ Filtration Products:

Used at the point of entry, Aqua-Pure standard whole house filters reduce particulate, rust, chlorine taste and odor, and scale (from all water using appliances and plumbing fixtures throughout the home). Choose from several replacement cartridges for a custom filter application.

Two-High models expand filtration applications and capabilities above standard single-length housings:

Higher service flow rates, increased filtration efficiencies as well as specialty applications.

Model Number	Part Number/ 3M ID	Case Lot	Ctg. Incl.	Includes	Maximum Temp (°F/°C)	Maximum Pressure (psi/kPa)	Flow Rate (gpm/lpm)	Size W x L (inches)	Description	Case Weight (lbs/kg)	UPC Code	List Price
AP11T	5529902/ 70020005834	4	AP110	W	100/37.8	125/862	8/30.3 ¹	4-9/16 x 13-11/16	Blue Head, Transparent Sump, Pressure Relief	13/5.9	00016145001116	\$158.17 ea
AP101T	5530002/ 70020002278	4	AP110	W	100/37.8	125/862	8/30.3 ¹	4-9/16 x 14-7/8	Blue Head, Transparent Sump, Valve-In-Head	13/5.9	00016145010118	\$196.04 ea
AP141T	5530016 70020166123	4	AP420	W	100/37.8	125/862	10/37.9	4-9/16 x 14-3/16	Blue Head, Transparent Sump, Valve-In-Head	13/5.9	00016145160707	\$259.26 ea
AP102T	5530008/ 70020014422	2	Not Included	W	100/37.8	125/862	N/A ¹	4-9/16 x 24-1/8	Blue Head, Transparent Sump, Valve-In-Head	10/4.5	00016145001024	\$269.65 ea

¹ Flow based on rated flow of cartridge used W = WRENCH INCLUDED

Replacement Cartridges — Most Common; Refer to replacement cartridge section for more options

Model Number	Part Number/ 3M ID	Case Lot	Size Dia. x L	Pk	Flow Rate (gpm/lpm)	Nominal Micron Rating	Description	Case Weight (lbs/kg)	UPC Code	List Price
AP110	5620404/ 70020162759	5 2pk	2.5 x 9.75	NP	8/30.3	5	Standard Sediment/Rust Progressive Porosity Melt Blown	5/2.3	00016145157349	\$36.45 2pk
	5620406/ 70020162775	36 ea	2.5 x 9.75	BK				13/5.9	00016145157363	\$16.66 ea
AP110-2	5620405/ 70020162767	15 ea	2.5 x 19.5	ST	16/60.6	5	2-High, Standard Sediment/Rust Progressive Porosity Melt Blown	12/5.4	00016145157356	\$32.81 ea
AP124	5620601/ 70020162833	5 2pk	2.5 x 9.75	NP	8/30.3	50	Coarse Sediment/Rust Progressive Porosity Melt Blown	5/2.3	00016145157424	\$42.39 2pk
	5620605/ 70020162874	36 ea	2.5 x 9.75	BK				13/5.9	00016145157462	\$19.47 ea
AP117*	5541731/ 70020318526	5 2pk	3.0 x 9.75	NP	3/11.4	5	Chlorine Taste & Odor Standard Sediment/Rust Melt Blown GAC	13/5.9	N/A	\$85.86 2pk
	5541734/ 70020326768	10 2pk	3.0 x 9.75	WP				25/11.3	N/A	\$85.86 2pk
	5541733/ 70020318542	36 ea	3.0 x 9.75	BK				38/17.2	N/A	\$1,429.33 blk
APS117*	APS11706/ 70020318799	24 ea	3.0 x 9.75	ST	3/11.4	5	Chlorine Taste & Odor Particulate, Scale Inhibitor	28/12.7	N/A	\$54.13 ea
AP420	5560907/ 70020319292	6 2pk	2.94 x 9.75	ST	10/37.9	5	Standard Sediment/Rust Scale Inhibitor	16/7.3	00051128888414	\$164.10 2pk

BK = BULK PACK NP = NARROW PACK ST = STANDARD PACK WP = WIDE PACK GAC = Granulated Activated Carbon

Accessories (Refer to parts section for more information)

AP-WRNCH	6843432C/ 70020028430	1	Sump wrench, AP11 & AP101 Series		1/0.5	00016145604621	\$9.19 ea
COUPLER	6899831/ 70020008051	1	Cartridge Adapter: Connects (2) 9 3/4" cartridges to fit 20" competitive length housings		1/0.5	00016145002175	\$2.23 ea
O-RING	63597174C/ 70020008242	1	Sump o-ring for AP11 & AP101		1/0.5	00016145600388	\$5.50 ea
AP-MB	5551701/ 70020007525	1	Mounting Bracket — Fits AP11, AP101, AP51, AP12 and AP102		1/0.5	00016145604140	\$13.40 ea

* For whole house CTO reduction applications, 3M Purification recommends the use of an AP102T with (2) AP117 cartridges



Large Diameter Plastic Housing Filtration Systems Performance

- High flow rates up to 45 gpm for larger homes and buildings
- 1" inlet/outlet connection options
- Manufactured from FDA CFR-21 compliant materials
- Pressure Relief Button
- For use with industry standard size cartridges:
4-1/2" O.D. x 9-3/4" (single) and 20" (2-high)

Benefits of 3M™ Aqua-Pure™ Filtration Products:

For use at the point of entry, AP800 Series whole house filtration systems help reduce particulate, rust, scale, precipitated iron and minerals from all water using appliances and plumbing fixtures throughout the home. Choose from our selection of replacement cartridges for a custom filter application.

Model Number	Part Number/ 3M ID	Case Lot	Ctg. Incl.	Includes	Maximum Temp (°F/°C)	Maximum Pressure (psi/kPa)	Flow Rate (gpm/lpm)	Size W x L (inches)	Housing Material And Style*	Case Weight (lbs/kg)	UPC Code	List Price
AP801	5585701/ 7002007822	2	Not Included	W	100/37.8	100/689	N/A*	7-1/4 x 13-5/16	White Head, Blue Sump	14/6.4	00016145607165	\$152.89 ea
AP801-C	5585716/ 70020114180	2	AP810	W MB	100/37.8	100/689	20/75.7	7-1/4 x 13-5/16	White Head, Blue Sump	15/6.8	00016145605239	\$187.53 ea
AP802	5585704/ 70020002492	2	Not Included	W	100/37.8	100/689	N/A*	7-1/4 x 23-7/16	White Head, Blue Sump	17/7.7	00016145802102	\$204.63 ea

W = WRENCH INCLUDED MB = MOUNTING BRACKET INCLUDED

* flow rate is dependent upon cartridge use

AP800 Series Replacement Cartridges

Model Number	Part Number/ 3M ID	Case Lot	Size Dia. x L (inches)	Pk	Flow Rate (gpm/lpm)	Nominal Micron Rating	Description	Case Weight (lbs/kg)	UPC Code	List Price
AP810	5618902/ 70020164177	4	4.5 x 9.75	NP	20/75.7	5	1-High, Standard Sediment/Rust/Melt Blown	5/2.3	00016145158766	\$48.04 ea
AP810-2	5618903/ 70020162437	4	4.5 x 20	ST	45/170.3	5	2-High, Standard Sediment/Rust/Melt Blown	11/5	00016145157028	\$84.20 ea
AP811	5618904/ 70020170547	4	4.5 x 9.75	ST	20/75.7	25	1-High, Medium Sediment/Rust/Melt Blown	5/2.3	00016145165108	\$58.08 ea
AP811-2	5618905/ 70020176742	4	4.5 x 20	ST	45/170.3	25	2-High, Medium Sediment/Rust/Melt Blown	11/5	00016145171277	\$101.42 ea
AP814	5599401/ 70020105329	4	4.5 x 9.75	ST	20/75.7	50	1-High, Coarse Sediment/Rust Composite Wound	7/3.2	00016145811418	\$44.14 ea
AP814-2	5599403/ 70020105337	4	4.5 x 20	ST	45/170.3	50	2-High, Coarse Sediment/Rust Composite Wound	16/7.3	00016145814204	\$87.30 ea
AP817	5602719/ 70020315159	4	4.5 x 9.75	ST	10/37.9	25	1-High, CTO and Sediment, GAC	7/3.2	00054007979715	\$76.80 ea
AP817-2	5602721/ 70020315167	4	4.5 X 20	ST	20/75.7	25	2-High, CTO and Sediment, GAC	25/11.3	00054007979722	\$152.94 ea

NP = NARROW PACK ST = STANDARD PACK GAC = Granulated Activated Carbon

Accessories

AP-MB801	6890131/ 70020021948	1	Mounting Bracket for AP800 Series Housings					1/0.5	00016145009570	\$31.87 ea
O-RING	6889832/ 70020021906	1	Sump o-ring for AP800 Series Housings					1/0.5	00016145002175	\$3.55 ea
WRENCH	6890033/ 70020021930	1	Wrench for all AP800 Series Housings					1/0.5	00016145607233	\$10.53 ea
STRAP WRENCH	6890034/ 70020109685	1	Adjustable Strap Wrench for all AP800 Series Housings					1/0.5	00016145606229	\$14.06 ea



AP2610SS AP1610SS

Standard Diameter Stainless Steel Housing Filtration Systems

- 316 stainless steel head and 304 stainless steel housing rated to 300 psi
- SST Housings rated for 200°F¹ (93.3°C) operating temperatures
- All stainless steel construction designed for use in filtration applications
- Made from Food and Drug Administration USA CFR-21 compliant materials
- Multiple connection sizes ranging from 3/8" NPT Vertical to 1" NPT Horizontal
- Hot and cold water applications
- For use with industry standard size cartridges:
 - 2-1/2", 2-3/4", 3" O.D. x 9-3/4" L (single)
 - 2-1/2", 2-3/4", 3" O.D. x 19-1/2" L (double)

Benefits of 3M™ Aqua-Pure™ Stainless Steel Filtration Products:

Stainless steel construction helps provide reliable performance demanded by remote installations. Ideal use in second homes and cottages, homes without basements, corrosive environments and where service and maintenance is restricted.

Model Number	Part Number/ 3M ID	Case Lot	Ctg. Incl.	Includes	Maximum Temp ¹ (°F/°C)	Maximum Pressure (psi/kPa)	Flow Rate ² (gpm/lpm)	Connection Size	Description	Case Weight (lbs/kg)	UPC Code	List Price
AP1610SS	5592002/ 70020017532	1	AP110	W MB	170/77	125/862	8/30.3	3/4" NPT Horizontal	316 SS Head 1-High 304 SS Housing	20/9	00016145603020	\$412.74 ea
AP2610SS	5592003/ 70020114198	1	AP110-2	W MB	170/77	125/862	16/60.6	3/4" NPT Horizontal	316 SS Head 2-High 304 SS Housing	50.4/ 22.9	00016145603235	\$610.03 ea
SST1	5527104/ 70020014323	1	Not Included	W MB	200/93.3	300/2,068	N/A*	3/8" NPT Vertical	316 SS Head 1-High 304 SS Housing	22/10	00016145604072	\$343.51 ea
SST1HA	5592001/ 70020017524	1	Not Included	W MB	200/93.3	300/2,068	N/A*	3/4" NPT Horizontal	316 SS Head 1-High 304 SS Housing	22/10	00016145601248	\$402.52 ea
SST2HB	5592010/ 70020017573	1	Not Included	W MB	200/93.3	300/2,068	N/A*	1" NPT Horizontal	316 SS Head 2-High 304 SS Housing	55/24.9	00016145603037	\$620.70 ea

Fit For Use Replacement Cartridges – Most Common; Refer to replacement cartridge section for more options

Model Number	Part Number/ 3M ID	Case Lot	Size Dia. x L	Pk	Flow Rate (gpm/lpm)	Nominal Micron Rating	Description	Case Weight (lbs/kg)	UPC Code	List Price
AP110	5620404/ 70020162759	5 2pk	2.5 x 9.75	NP	8/30.3	5	Standard Sediment/Rust Progressive Porosity Melt Blown	5/2.3	00016145157349	\$36.45 2pk
	5620406/ 70020162775	36 ea	2.5 x 9.75	BK				13/5.9	00016145157363	\$16.66 ea
AP110-2	5620405/ 70020162767	15 ea	2.5 x 19.5	ST	16/60.6	5	2-High, Standard Sediment/Rust Progressive Porosity Melt Blown	12/5.4	00016145157356	\$32.81 ea

BK = BULK PACK NP = NARROW PACK ST = STANDARD PACK

¹ Maximum operating temperature and pressure are dependent on filter cartridge

² Flow rates based on Sediment cartridge

* Flow rate is dependent upon cartridge use

W = WRENCH INCLUDED

MB = MOUNTING BRACKET INCLUDED

Note: Single high housings should not be used with an AP117 or APS117 for whole house applications due to low flow rates. Use two-high housings with (2) cartridges.

Note: For hot water applications, use AP110, AP2005, AP1001 or AP1003 cartridges. See page 15 for more information.



SS12
EPE-316L

SS8
EPE-316L

SS4
EPE-316L

Large Diameter Stainless Steel Housing Filtration Systems

- Construction: Wetted surfaces are durable 316L stainless steel.
- Shouldered seal plates fit solidly into the cartridge core for a positive seal.
- V-band clamp for quick and easy opening and closing.
- Removable cartridge posts lift out for easy cleaning.
- Housing Drains; Both sludge and clean chambers have drain couplings for easy cleaning.
- Air vent allows venting before start-up or draining.
- High temperature capacity (up to 250°F (121°C) dependent upon filter cartridge selected)
- Specially designed cartridge seal plates for 9-3/4" or 10" equivalent length cartridges

SS EPE Series: Electropolished 316L stainless steel for filtration, process, and food grade environments

Why Choose 316L Stainless Steel Fabrication?

Atmospheric corrosion accounts for more failures on both a tonnage basis and cost basis than any other type of environmental corrosion. Tremendous amounts of steel are exposed to the atmosphere and attacked by oxygen and water. The corrosion severity is increased when salt, sulfur compounds and other atmospheric contaminants are present. 3M Purification Inc. has intensely studied the effects of corrosion on stainless steel products and analyzed several stainless steel fabrication techniques. Based on destructive testing, 316L stainless steel fabrication yielded unequalled performance.

Model Number	Part Number/ 3M ID	Case Lot	Cartridges Included	Maximum Temp. ¹ (°F/°C)	Maximum Pressure (psi/kPa)	Flow Rate ² (gpm/lpm)	Equiv. No. Single Lg Ctgts	Housing Specs	Case Weight (lbs/kg)	UPC Code	List Price
SS4 EPE-316L	4808713/ 70020205673	1	Not Included	250/121	150/1,034	32/121	4	316L SS Electropolished 1-1/2" NPT Male Inlet	25/11.3	00016145193248	\$2,840.56 ea
SS8 EPE-316L	4808714/ 70020204775	1	Not Included	250/121	150/1,034	64/242	8	316L SS Electropolished 2" NPT Male Inlet	30/13.6	00016145192357	\$3,073.21 ea
SS12 EPE-316L	4808715/ 70020205681	1	Not Included	250/121	150/1,034	96/363	12	316L SS Electropolished 2" NPT Male Inlet	35/15.9	00016145193255	\$3,311.28 ea
SS20 EPE-316L	4808816/ 70020205905	1	Not Included	250/121	150/1,034	160/606	20	316L SS Electropolished 2" NPT Male Inlet	45/20.4	00016145193477	\$3,635.92 ea
SS24 EPE-316L	4808907/ 70020206044	1	Not Included	250/121	150/1,034	192/727	24	316L SS Electropolished 3" – 150# Flange	130/59	00016145193613	\$8,413.47 ea
SS36 EPE-316L	4808908/ 70020206051	1	Not Included	250/121	150/1,034	288/1,090	36	316L SS Electropolished 3" – 150# Flange	140/63.5	00016145193620	\$9,279.16 ea
SS48 EPE-316L	4808909/ 70020206069	1	Not Included	250/121	150/1,034	384/1454	48	316L SS Electropolished 3" – 150# Flange	150/68	00016145193637	\$10,361.29 ea

¹ Maximum operating temperature and pressure are dependent on filter cartridge — see filter specifications

Note: Max cartridge outside diameter restricted to 2-3/4"

² Flow rate based on stainless steel vessel w/ AP110 filters installed. Actual flow rate will be determined by the cartridge used.

Particulate/Scale: Alternate standard size 2-1/2" O.D. cartridges and AP420 scale/corrosion cartridges on every other cartridge post. Chlorine taste and odor: Use AP017.

Suffix:	N/A	-2	-3
Length:	9-3/4"	19-1/2"	29-1/4"

Adding a suffix to select 3M™ Aqua-Pure™ cartridges specifies integral length cartridges for use in multi-length housings. See page 14 for additional information.
 AP110 – 9-3/4"; AP110-2 – 19-1/2"; AP110-3 – 29-1/4"
 AP124 – 9-3/4"; AP124-2 – 19-1/2"; AP124-3 – 29-1/4"

Fit For Use Cartridges – Most Common; Refer to replacement cartridge section for more options

Model Number	Part Number/ 3M ID	Case Lot	Size Dia. x L (inches)	Pk	Flow Rate (gpm/lpm)	Nominal Micron Rating	Description	Case Weight (lbs/kg)	UPC Code	List Price
AP110	5620404/ 70020162759	5 2pk	2.5 x 9.75	NP	8/30.3	5	Standard Sediment/Rust/ Progressive Porosity/ Melt Blown	5/2.3	00016145157349	\$36.45 2pk
	5620406/ 70020162775	36 ea	2.5 x 9.75	BK				13/5.9	00016145157363	\$16.66 ea
AP124	5620601/ 70020162833	5 2pk	2.5 x 9.75	NP	8/30.3	50	Coarse Sediment/Rust/ Progressive Porosity/ Melt Blown	5/2.3	00016145157462	\$42.39 2pk
	5620605/ 70020162874	36 ea	2.5 x 9.75	BK				13/5.9	00016145157356	\$19.47 ea
AP117	5541731/ 70020318526	5 2pk	3.0 x 9.75	NP	3/11.4	5	Chlorine Taste & Odor/ Standard Sediment/Rust/ Melt Blown/ GAC	13/5.9	N/A	\$85.86 2pk
	5541734/ 70020326768	10 2pk	3.0 x 9.75	WP				25/11.3	N/A	\$85.86 2pk
	5541733/ 70020318542	36 ea	3.0 x 9.75	BK				38/17.2	N/A	\$1,429.33 blk
APS117	APS11706/ 70020318799	24 ea	3.0 x 9.75	ST	3/11.4	5	Chlorine Taste & Odor/ Sediment/Scale Inhibitor	28/12.7	N/A	\$54.13 ea
AP420	5560907/ 70020319292	6 2pk	2.94 x 9.75	ST	10/37.9	5	Standard Sediment/Rust/ Scale Inhibitor	16/7.3	00051128888414	\$164.10 2pk
AP2005	5588618/ 70020016922	5 2pk	2.5 x 9.75	NP	8/30.3	5	Fine Sediment/Rust/Max Temp. 170°F/76.7°C	5/2.3	00016145603426	\$44.94 2pk
AP1001	5566601/ 70020126358	6 2pk	2.5 x 9.75	ST	8/30.3	1	Extra-fine Sediment/Rust/Max Temp. 175°F/79.4°C	8/3.6	00016145123405	\$120.74 2pk
AP1003	5566604/ 70020126366	6 2pk	2.5 x 9.75	ST	8/30.3	3	Extra-fine Sediment/Rust/Max Temp. 175°F/79.4°C	8/3.6	000161454064302	\$91.59 2pk

BK = BULK PACK NP = NARROW PACK ST = STANDARD PACK WP = WIDE PACK

Note: Add suffix -2 (Example: AP110-2) for 19.5" length cartridges for use in 3M™ Aqua-Pure™ brand double size housings.

Scale Inhibition System



AP430SS

Scale Inhibition System

- Helps protect piping system from corrosion
- Easy to install and change-out cartridge
- Inhibits scale build-up in hot water heaters (both with and w/o tanks) & water using appliances
- Maintains efficiency and helps extends the life of hot water systems
- Stainless steel head with 3/4" inlet/outlet

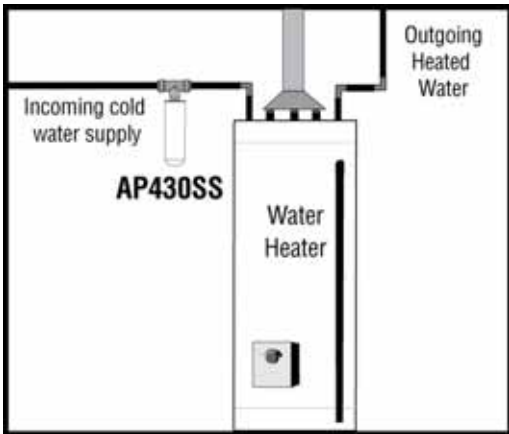
Provides a consistent, controlled dose of polyphosphate scale inhibitor.

Polyphosphates sequester or bind calcium and magnesium hardness minerals, preventing them from precipitating out of solution and building up on metallic surfaces. Polyphosphates also form a thin protective layer on the pipe wall or metallic surface which helps to eliminate hardness build-up and corrosion.

Hot Water Heater Scale Inhibitor System

Model Number	Part Number/ 3M ID	Case Lot	Ctg. Included	Pk	Maximum Temp. (F/C)	Flow Rate (gpm/lpm)	Description	Reduction Claims	Case Wt. (lbs/kg)	UPC Code	List Price
AP430SS	AP43010/ 70020003060	6 ea	AP431	ST	100/37.8	10/37.9	In-line Scale Inhibitor System	Scale	14/6.4	00016145004308	\$124.29 ea
AP431	AP43111/ 70020319276	10 ea		ST	100/37.8	10/37.9	In-line Scale Inhibitor System Replacement Cartridge	Scale	11/5	51128889886	\$51.05 ea

ST = STANDARD PACK



The Simplicity of the AP430SS Design

Helps provide:

- Easy installation with it's 3/4" NPT Inlet/outlet connections
- Controlled dosage for maximum system performance and cartridge life (average cartridge life is 6 months)
- Easy cartridge replacement, simply screw off old cartridge and screw on new cartridge
- Although system is meant to be mounted vertically it can be mounted horizontally with the support of a bracket

Standard Diameter Whole House Replacement Cartridges

Progressive Porosity – Media Block Particulate Cartridges

- 47% More surface area than previous formulation
- 30% Longer lasting than previous formulation
- 50% More efficient than previous formulation
- Entire cartridge depth utilized
- Temperature rated for up to 170°F



5 Micron Standard Particulate/Rust



AP110-2
AP110
AP110-3

Model Number	Part Number/ 3M ID	Case Lot	Size Dia. x L (approx.) (inches)	Pk	Flow Rate (gpm/lpm)	Nominal Micron Rating	Case Weight (lbs/kg)	UPC Code	List Price
AP110	5620404/ 70020162759	5 2pk	2.5 x 9.75	NP	8/30.3	5	5/2.3	00016145157349	\$36.45 2pk
	5620406/ 70020162775	36 ea	2.5 x 9.75	BK			13/5.9	00016145157363	\$16.66 ea

NP = NARROW PACK BK = BULK

Multi-Length Cartridges For Use With 3M™ Aqua-Pure™ Brand Filter Housings

AP110-2	5620405/ 70020162767	15 ea	2.5 x 19.5	ST	16/60.6	5	12/5.4	00016145157356	\$32.81 ea
AP110-3	5620409/ 70020162791	15 ea	2.5 x 29.25	ST	24/90.8	5	16/7.3	00016145157387	\$49.37 ea

ST = STANDARD PACK

Multi-Length Cartridges For Use With Other Brand Filter Housings

AP110-2C	5620410/ 70020182146	15 ea	2.5 x 20	ST	16/60.6	5	12/5.4	00016145176609	\$32.07 ea
AP110-3C	5620411/ 70020182153	15 ea	2.5 x 30	ST	24/90.8	5	17/7.7	00016145176616	\$48.32 ea

ST = STANDARD PACK

50 Micron Coarse Particulate/Rust



AP124-2C
AP124
AP124-3

Model Number	Part Number/ 3M ID	Case Lot	Size Dia. x L (approx.) (inches)	Pk	Flow Rate (gpm/lpm)	Nominal Micron Rating	Case Weight (lbs/kg)	UPC Code	List Price
AP124	5620601/ 70020162833	5 2pk	2.5 x 9.75	NP	8/30.3	50	5/2.3	00016145157424	\$42.39 2pk
	5620605/ 70020162874	36 ea	2.5 x 9.75	BK			13/5.9	00016145157462	\$19.47 ea

NP = NARROW PACK ST = STANDARD PACK BK = BULK

Multi-Length Cartridges For Use With 3M Aqua-Pure Brand Filter Housings

AP124-2C	5620603/ 70020162858	15 ea	2.5 x 20	ST	16/60.6	50	10/4.6	00016145157448	\$34.56 ea
AP124-3	5620604/ 70020162866	15 ea	2.5 x 29.25	ST	24/90.8	50	16/7.3	00016145157455	\$47.93 ea

ST = STANDARD PACK

Ultra-Fine & Extra-Fine Particulate Replacement Cartridges

- High Temperature Cartridges
- Ultra-Fine for Clay, Silt & Colloidal Particulate
- Extra-Fine Particulate for water polishing and final phase filtration

Extra-Fine Particulate



AP1001 AP1003

Model Number	Part Number/ 3M ID	Case Lot	Size Dia. x L (approx.) (inches)	PK	Maximum Temp (°F/°C)	Flow Rate (gpm/lpm)	Nominal Micron Rating	Case Weight (lbs/kg)	UPC Code	List Price
AP1001	5566601/ 70020126358	6 2pk	2.5 x 9.75	ST	175/79.4	8/30.3	1	8/3.6	00016145123405	\$120.74 2pk
	5566602/ 70020146380	24 ea	2.5 x 9.75	BK	175/79.4	8/30.3	1	16/7.3	00016145107122	\$1,317.66 blk
AP1003	5566604/ 70020126366	6 2pk	2.5 x 9.75	ST	175/79.4	8/30.3	3	8/3.6	00016145064302	\$91.59 2pk

ST = STANDARD PACK BK = BULK PACK

Hot Water, Chemical Compatibility, Backwash

Hot Water Applications up to 170°F

- Bicomponent polypropylene/polyethylene fiber
- Free of Media Migration for filtration applications
- Backwash applications

5 Micron Nominal Fine Particulate/Rust



AP2005

Model Number	Part Number/ 3M ID	Case Lot	Size Dia. x L (approx.) (inches)	PK	Maximum Temp (°F/°C)	Flow Rate (gpm/lpm)	Nominal Micron Rating	Case Weight (lbs/kg)	UPC Code	List Price
AP2005	5588618/ 70020016922	5 2pk	2.5 x 9.75	NP	170/76.7	8/30.3	5	5/2.3	00016145603426	\$44.94 2pk

NP = NARROW PACK

Multi-Length Cartridges For Use With 3M™ Aqua-Pure™ Brand Filter Housings

AP2005-2	5588627/ 70020016971	15 ea	2.5 x 19.5	ST	170/76.7	16/60.6	5	12/5.4	00016145074387	\$40.82 ea
----------	-------------------------	-------	------------	----	----------	---------	---	--------	----------------	------------

ST = STANDARD PACK

Ungrooved Particulate Cartridges (Not rated for high temperatures & for use with most competitive housings)



GRMB Series

Model/Part Number	3M ID	Case Lot	Size Dia. x L (approx.) (inches)	PK	Maximum Temp (°F/°C)	Flow Rate (gpm/lpm)	Nominal Micron Rating	Case Weight (lbs/kg)	UPC Code	List Price
GRMB01PP10UB	70020249853	36	2.5 x 10	ST	100/37.8	8/30.3	1	15.4/7.0	00016145233333	\$6.16 ea
GRMB01PP20UB	70020249861	15	2.5 x 20	ST	100/37.8	16/60.5	1	12.9/5.9	00016145233340	\$11.38 ea
GRMB01PP30UB	70020249721	15	2.5 x 30	ST	100/37.8	24/90.8	1	19.2/8.7	00016145233203	\$16.60 ea
GRMB05PP10UB	70020249879	36	2.5 x 10	ST	100/37.8	8/30.3	5	15.4/7.0	00016145233357	\$6.05 ea
GRMB05PP20UB	70020249887	15	2.5 x 20	ST	100/37.8	16/60.5	5	12.9/5.9	00016145233364	\$11.18 ea
GRMB05PP30UB	70020249895	15	2.5 x 30	ST	100/37.8	24/90.8	5	19.2/8.7	00016145233371	\$16.30 ea
GRMB10PP10UB	70020249903	36	2.5 x 10	ST	100/37.8	8/30.3	10	15.4/7.0	00016145233388	\$5.94 ea
GRMB10PP20UB	70020249911	15	2.5 x 20	ST	100/37.8	16/60.5	10	12.9/5.9	00016145233395	\$10.97 ea
GRMB10PP30UB	70020249929	15	2.5 x 30	ST	100/37.8	24/90.8	10	19.2/8.7	00016145233401	\$16.01 ea
GRMB20PP10UB	70020249937	36	2.5 x 10	ST	100/37.8	8/30.3	20	15.4/7.0	00016145233418	\$5.83 ea
GRMB20PP20UB	70020249945	15	2.5 x 20	ST	100/37.8	16/60.5	20	12.9/5.9	00016145233425	\$10.77 ea
GRMB20PP30UB	70020249952	15	2.5 x 30	ST	100/37.8	24/90.8	20	19.2/8.7	00016145233432	\$15.71 ea
GRMB50PP10UB	70020249960	36	2.5 x 10	ST	100/37.8	8/30.3	50	15.4/7.0	00016145233449	\$5.67 ea
GRMB50PP20UB	70020249978	15	2.5 x 20	ST	100/37.8	16/60.5	50	12.9/5.9	00016145233456	\$10.46 ea
GRMB50PP30UB	70020249986	15	2.5 x 30	ST	100/37.8	24/90.8	50	19.2/8.7	00016145233463	\$15.26 ea

ST = STANDARD PACK

Whole House Replacement Cartridges

Reduces: Sediment, Dirt, Rust, Scale, Chlorine Taste & Odor (CTO)
 Formats: GAC, Modified and Extruded Carbon Block Formulations & Scale inhibition

Chlorine Taste & Odor Replacement Cartridges



AP117

Model Number	Part Number/ 3M ID	Case Lot	Size Dia. x L (inches)	Pk	Maximum Temp (°F/°C)	Flow Rate (gpm/lpm)	Nominal Micron Rating	Case Weight (lbs/kg)	UPC Code	List Price
AP117	5541731/ 70020318526	5 2pk	3.0 x 9.75	NP	100/37.8	3/11.4	5	13/5.9	N/A	\$85.86 2pk
	5541734/ 70020326768	10 2pk	3.0 x 9.75	WP				25/11.3	N/A	\$85.86 2pk
	5541733/ 70020318542	36 ea	3.0 x 9.75	BK				38/17.2	N/A	\$1,429.33 blk
AP017	5552820/ 70020318559	24 ea	2.75 x 9.75	BK	100/37.8	2/7.6	5	24/10.9	00016145106705	\$748.02 blk
AP117RO	5577811/ 70020318641	36 ea	3.0 x 9.75	BK	100/37.8	3/11.4	5	42/19.1	00016145073946	\$41.41 ea

BK = BULK PACK NP = NARROW PACK WP = WIDE PACK

5 Micron Fine Particulate with Scale Inhibitor



AP420

Model Number	Part Number/ 3M ID	Case Lot	Size Dia. x L (inches)	Pk	Maximum Temp (°F/°C)	Flow Rate (gpm/lpm)	Nominal Micron Rating	Case Weight (lbs/kg)	UPC Code	List Price
AP420	5560907/ 70020319292	6 2pk	2.94 x 9.75	ST	100/37.8	10/37.9	5	16/7.3	00051128888414	\$164.10 2pk

ST = STANDARD PACK

Chlorine Taste & Odor w/Scale Inhibitor Replacement Cartridges



APS117

Model Number	Part Number/ 3M ID	Case Lot	Size Dia. x L (inches)	Pk	Maximum Temp (°F/°C)	Flow Rate (gpm/lpm)	Nominal Micron Rating	Case Weight (lbs/kg)	UPC Code	List Price
APS117	APS11706/ 70020318799	24 ea	3.0 x 9.75	BK	100/37.8	3/11.4	5	28/12.7	N/A	\$54.13 ea

ST = STANDARD PACK

Large Diameter Whole House Replacement Cartridges

Large Diameter Replacement Cartridges for AP800 Series Systems

Large Diameter Particulate



Model Number	Part Number/ 3M ID	Case Lot	Size Dia. x L (in) (approx.)	Pk	Flow Rate (gpm/lpm)	Nominal Micron Rating	Case Weight (lbs/kg)	UPC Code	List Price
AP810	5618902/ 70020164177	4 ea	4.5 x 9.75	ST	20/75.7	5	4/1.8	00016145158766	\$48.04 ea
AP810-2	5618903/ 70020162437	4 ea	4.5 x 20	ST	45/170.3	5	11/5	00016145157028	\$84.20 ea
AP811	5618904/ 70020170547	4 ea	4.5 x 9.75	ST	20/75.7	25	5/2.3	00016145165108	\$58.08 ea
AP811-2	5618905/ 70020176742	4 ea	4.5 x 20	ST	45/170.3	25	11/5	00016145171277	\$101.42 ea
AP814	5599401/ 70020105329	4 ea	4.5 x 9.75	ST	20/75.7	50	7/3.2	00016145811418	\$44.14 ea
AP814-2	5599403/ 70020105337	4 ea	4.5 x 20	ST	45/170.3	50	16/7.3	00016145814204	\$87.30 ea

ST = STANDARD PACK

Large Diameter Chlorine Taste & Odor (Maximum Temperature: 100°F/37.8°C)



Model Number	Part Number/ 3M ID	Case Lot	Size Dia. x L (in) (approx.)	Pk	Flow Rate (gpm/lpm)	Nominal Micron Rating	Case Weight (lbs/kg)	UPC Code	List Price
AP817	5602719/ 70020315159	4 ea	4.5 x 9.75	ST	10/37.9	25	7/3.2	00054007979715	\$76.80 ea
AP817-2	5602721/ 70020315167	4 ea	4.5 x 20	ST	20/75.7	25	25/11.3	00054007979722	\$152.94 ea

ST = STANDARD PACK

Note: It is always recommended to install a 5 micron prefilter before a chlorine taste & odor filter in whole house applications.



Sanitary Quick Change (SQC) AP900 Series Replacement Cartridges

AP900 Series Replacement Cartridges



Model Number	Part Number/ 3M ID	Case Lot	Size Dia. x L (in) (approx.)	Pk	Flow Rate (gpm/lpm)	Nominal Micron Rating	Case Weight (lbs/kg)	UPC Code	List Price
AP910R	5621001/ 70020204460	1	4.5 x 29	ST	20/75.7	5	3/1.4	00016145192043	\$204.32 ea
AP917HD	5621006/ 70020269687	1	4.5 x 29	ST	20/75.7	5	3/1.4	00016145252303	\$279.33 ea
AP917HD-S	5621008/ 70020273929	1	4.5 x 29	ST	20/75.7	5	3.5/1.6	00016145256547	\$343.29 ea

ST = STANDARD PACK



Water Treatment

The Challenge:

Taking advantage of the growth trend in water treatment. Many households in the United States have water quality concerns. Based on estimates from the U.S. Geological Survey, over 85% of homes have hard water problems. The demand in North America for water treatment products is expected to grow to \$22.7 billion in 2015

The Solution:

3M™ Aqua-Pure™ Water Treatment

Broad portfolio of softening and water treatment solutions. Specific contaminant reduction for problem water include arsenic, tannin, iron, manganese and more...

Now it's even easier to do business with 3M Purification Inc. The 3M Aqua-Pure water treatment free freight and volume discounts are here to stay. The more you buy, the more you save.

Great Discounts and Service on Water Treatment

- Volume Discounts – purchase 3-6 water treatment systems per order and receive a 10% discount per unit. Buy 7 or more water treatment systems per order and receive a 15% discount per unit
- Free Freight – purchase 3 or more water treatment units and receive free freight, with NO dollar minimum
- Faster Delivery – get top selling SKUs shipped within 3 days of order placement (noted by truck icons in price book)

Updated Water Treatment Technology

- Redesigned Media Tank – connect valve to tank easier with our threaded tanks
- Dome Hole Tank Models – replace media easier with many dome hole tank models now available

Wide Range of Solutions to Help Grow Your Business

- Product Solutions – take advantage of our broad portfolio of water softeners, arsenic, iron, tannin, and manganese reduction systems, as well as UV systems
- Water Test Kits – grow your water treatment business with a fast and free water analysis done by 3M Purification



Water Softener Systems

CWS Series

Problem Water Systems



ASB Series (Arsenic Reduction)

CWST Series (Tannin Reduction)

CSX Series (Sulfur Reduction)

Iron Reduction Systems



APIFDM Series

Backwash Filter Systems



CBFDM Series

Non-Backwash Carbon Filter Systems



MF Series

Acid Neutralizer Systems



APUN Series

Ultraviolet Light Systems



APUV Series

Water Softener Systems

Hard Water: Softening helps reduce dissolved "rock-hard minerals" from your water. Water naturally dissolves these minerals in the ground just like adding sugar to a glass of water. Hot water reverses this process and causes the "hardness" in your water to reform as rock-hard scale inside your water heater, pipes and appliances, on your sinks, tubs, shower-heads, dishes and in your laundry. Skin and hair absorb these hard-minerals, filling pores and hair follicles with "earth".

Benefits of 3M™ Aqua-Pure™ Water Softeners:

- **Cleaner Bathing** — Bathing in softened water results in healthier looking and better feeling skin. Your hair will wash and rinse easier showing it's natural beauty.
- **Cleaner and Brighter Laundry** — Detergents work better, Laundry last longer
- **Faster and Easier Cleaning** — No more soap scum and mineral deposits
- **Sparkling Dishes** — Reduces spotting (scale deposits after water evaporates) or cloudy film.
- **Helps Protect Your Plumbing** — Perhaps the greatest damage done by hard water is what you don't see; mineral deposits that can build-up and clog pipes. 3M Aqua-Pure water softeners help reduce mineral build-up and lengthen the life of water-using appliances such as dishwashers, clothes washers and water heaters.
- **Save Time and Money** — Spend less time cleaning. Use less detergents and save up to 30% on hot water heating bills.



CWS Series — High Flow — Metered

Features:

- Smart electronics with coin style lithium ion battery backup — monitors water consumption and automatically adjusts to changing water usage
- Tested and certified by WQA against NSF/ANSI 372 for Low Lead Compliance
- Distributor resin scrubber
- Fully ported four position bypass valve with durable connection fittings
- Quick and Easy installations (manual included)
- Multi-tiered salt shelf allows for use of most kinds of water softener salt
- Choice of either natural or black colored media tanks
- Models supplied with both standard resin and fine mesh resin to address a variety of water problems

* Compact, Space saving models available



Purchase 3-6 water treatment systems per order and receive a 10% discount per unit.
Buy 7 + water treatment systems per order and receive a 15% discount per unit.

CWS Series — High Flow — Metered Electronic Control Valve

Product Type	Model Number	Part Number/ 3M ID	Media Cu. Ft.	Media Incl.	Maximum Capacity Grains	Flow Rate @ 15 psid (gpm/lpm)	Space Req. L x W x H (approx.)	Case Lot	Case Wt. (lbs/kg)	UPC Code	List Price
Electronic Metered Valve	CWS100ME	CWS100ME/ 70020129121	1.0	HCP	28,500	7.9/29.9	15" x 33" x 53"	1	97/44.0	00092498004776	\$1,884.90 ea
	CWS150ME	CWS150ME/ 70020129139	1.5	HCP	43,000	11.1/42.0	15" x 35" x 53"	1	125/56.7	00092498004783	\$2,054.85 ea
	CWS200ME	CWS200ME/ 70020129147	2.0	HCP	56,800	9.6/36.3	15" x 35" x 63"	1	154/69.9	00092498004790	\$2,219.65 ea
	CWS300ME	CWS300ME/ 70020129154	3.0	HCP	87,800	15.7/59.4	18" x 42" x 74"	1	244/110.7	00092498004806	\$3,362.95 ea
	CWSX100ME	CWSX100ME/ 70020231810	1.0		FM	7.9/29.9	15" x 33" x 53"	1	97/44.0	00016145214042	\$2,023.95 ea
	CWSX150ME	CWSX150ME/ 70020231828	1.5		FM	11.1/42.0	15" x 35" x 53"	1	125/56.7	00016145214059	\$2,193.90 ea
	CWSX200ME	CWSX200ME/ 70020231836	2.0		FM	9.6/36.3	15" x 35" x 63"	1	154/69.9	00016145214066	\$2,358.70 ea

FM = Fine Mesh Resin HCP = Hi-Cap Resin CJ = Chrome Jacket Model



= Shipped within 3 days of order placement

CWS High Flow Series

Electronic Metered Valve	CWS100MEX	CWS100MEX/ 70020231844	1.0		FM	7.3/27.6	15" x 33" x 44"	1	97/44.0	00016145214073	\$2,188.75 ea
--------------------------------	-----------	---------------------------	-----	--	----	----------	-----------------	---	---------	----------------	----------------------

FM = Fine Mesh Resin



NWS Series

The Original 3M™ Aqua-Pure™ Softener Series!

Features:

- Time proven control valve performance
- Distributor resin scrubber
- Safety brine valve assembly included to prevent brine tank overflow
- Multi-tiered salt shelf allows for use of most water softener salt
- Full ported bypass valve with durable 1" NPT connections
- Installation & operation manual included

Purchase 3-6 water treatment systems per order and receive a 10% discount per unit.
Buy 7 + water treatment systems per order and receive a 15% discount per unit.

NWS Series Residential Softeners

Product Type	Model Number	Part Number/ 3M ID	Media Cu. Ft.	Media Incl.	Maximum Capacity Grains	Flow Rate (gpm/lpm)	Space Req. L x W x H (approx.)	Case Lot	Case Wt. (lbs/kg)	UPC Code	List Price
Time Clock Fleck 5600	NWS100	5564002/ 7002006006	1.0	HCP	30,000	7/26.5	34" x 16" x 52"	1	90/40.8	00016145118661	\$1,997.17 ea
	NWS150	5564003/ 70020103233	1.5	HCP	45,000	8/30.3	36" x 17" x 52"	1	117/53.1	00016145214080	\$2,203.17 ea
	NWS200	5564004/ 70020103241	2.0	HCP	56,000	8.5/32.2	36" x 17" x 62"	1	142/64.4	00016145214097	\$2,409.17 ea
Metered Fleck 5600	NWS100M	5564006/ 7002006014	1.0	HCP	30,000	7/26.5	34" x 16" x 52"	1	89/40.4	00016145060137	\$2,240.25 ea
	NWS150M	5564007/ 70020103266	1.5	HCP	45,000	8/30.3	36" x 17" x 52"	1	116/52.6	00016145060175	\$2,446.25 ea
	NWS200M	5564008/ 70020103274	2.0	HCP	56,000	8.5/32.2	36" x 17" x 62"	1	141/64.0	00016145060182	\$2,652.25 ea

HCP = Hi-Cap Resin



CS/CSM Series - Water Softeners

Features:

- AB 1953 certified brass valve with time proven performance history
- Safety brine valve assembly included to prevent brine tank overflow
- Multi-tiered salt shelf allows for use of most water softener salt
- Models with either a time clock or meter initiated timer assembly
- Models available in both natural and black colored media tanks
- Regeneration programming is fully adjustable conserving on water during regeneration
- Distributor resin scrubber
- Bypass valve supplied with 1" NPT connections
- High capacity softener resin
- Installation & operation manual included

Purchase 3-6 water treatment systems per order and receive a 10% discount per unit.
Buy 7 + water treatment systems per order and receive a 15% discount per unit.

CS/CSM Series — CEC1000 Brass Valve

Product Type	Model Number	Part Number/ 3M ID	Media Cu. Ft.	Media Incl.	Maximum Capacity Grains	Flow Rate (gpm/lpm)	Space Req. L x W x H (approx.)	Case Lot	Case Wt. (lbs/kg)	UPC Code	List Price
Brass Valve Time Clock CEC1000 has been tested and certified by WQA against NSF/ANSI 372 for Low Lead compliance	CS1001	CS1001/ 70020093863	1.0	HCP	30,000	7.5/28	30" x 15" x 51"	1	103/46.7	00016145054525	\$2,832.50 ea
	CS1501	CS1501/ 70020093939	1.5	HCP	45,000	9.0/34	30" x 15" x 51"	1	131/59.4	00016145054594	\$3,002.45 ea
	CS2001	CS2001/ 70020093996	2.0	HCP	60,000	9.0/34	30" x 15" x 61"	1	160/72.6	00016145054655	\$2,992.15 ea
AB 1953 Certified Brass Valve Metered CEC1000	CSM1001	CSM1001/ 70020093624	1.0	HCP	30,000	7.5/28	30" x 15" x 51"	1	103/46.7	00016145054297	\$2,914.90 ea
	CSM2001	CSM2001/ 70020093731	2.0	HCP	60,000	9.0/34	30" x 15" x 61"	1	160/72.6	00092498002765	\$4,130.30 ea

HCP = Hi-Cap Resin

Problem Water Systems

Arsenic Reduction Systems



ASB Series — Arsenic Reduction Backwash System

Fully Automatic Controls

- Smart electronics with lithium ion battery backup
- Complete pre-packaged, ready to go
- Fully ported four position bypass valve with durable connection fittings
- Includes high quality quartz filter gravel underbed to:
 - support filter media
 - reduce pressure differential through filter unit at peak flow rates
 - provide even backwash through the diameter of the media tank during regeneration
- High flow distributor with self cleaning slots to prevent plugging from contaminants or filter media
- No pre-oxidation is required
- Meets 2006 EPA guidelines for Arsenic III and V
- No regeneration chemicals or salts required
- Fill funnel shipped as part of filter system
- Utilizes a natural colored industry standard media tank
- Installation & operation manual included

Purchase 3-6 water treatment systems per order and receive a 10% discount per unit.
Buy 7 + water treatment systems per order and receive a 15% discount per unit.

ASB High Flow Arsenic Reduction System

Product Type	Model Number	Part Number/ 3M ID	Media Cu. Ft.	Media Incl.	Flow Rate * (gpm/lpm)	Space Req. L x W x H (approx.)	Case Lot	Case Wt.** (lbs/kg)	UPC Code	List Price
Arsenic Reduction System Valve	ASB1001	ASB1001/ 70020111004	1	TO	5/18.9	10" x 10" x 44"	1	93/42.2	00016145066474	\$3,769.80 ea
	ASB2001	ASB2001/ 70020111012	2	TO	10/37.9	12" x 12" x 54"	1	148/67.1	00016145066481	\$6,411.75 ea
	ASB3001	ASB3001/ 70020111020	3	TO	15/56.8	14" x 14" x 65"	1	205/93.0	00016145066498	\$9,012.50 ea

* Calculated @ 1.5 minutes EBCT (Empty Bed Contact Time) ** Approximate

TO = Titanium Oxide

Tannin Reduction Systems



CWST High Flow Series

- Smart electronics with coin style lithium ion battery backup — monitors water consumption and automatically adjusts to changing water usage
- Safety brine valve included to prevent brine tank overflow
- Fully ported four position bypass valve with durable connection fittings
- Multi-tiered salt shelf allows for use of most water softener salt
- Units contains equal amounts of both Hi capacity cation and Acrylic anion resin
- Choice of either natural or black colored media tanks
- Installation & operation manual included

Purchase 3-6 water treatment systems per order and receive a 10% discount per unit.
Buy 7 + water treatment systems per order and receive a 15% discount per unit.

CWST High Flow Series

Product Type	Model Number	Part Number/ 3M ID	Media Cu. Ft.	Media Incl.	Flow Rate (gpm/lpm)	Space Req. L x W x H (approx.)	Case Lot	Case Wt. (lbs/kg)	UPC Code	List Price
Tannin Reduction Valve	CWST200ME	CWST200ME/ 70020182674	2	AA/ H Resin	13.5/51.1	15" x 35" x 63"	1	154/69.9	00016145177132	\$3,369.28 ea
	CWST300ME	CWST300ME/ 70020182682	3	AA/ H Resin	18.5/70.0	18" x 42" x 74"	1	244/110.7	00016145177149	\$4,924.91 ea

Acrylic Anion & Hi -Cap Resin

Sulfur Reduction Systems



CSX High Flow Series

- Smart electronics with coin style lithium ion battery backup
- System uses a unique solution to convert Hydrogen Sulfide Gas to a filterable solid
- Electronic feed pump and solution tank shipped with filter unit
- Fully ported four position bypass valve with durable connection fittings
- Preassembled injector assembly shipped with filter system for easy connection of feed pump to water system
- Control valve pre-programmed for efficient water conserving regeneration cycles
- Includes high quality quartz filter gravel underbed to:
 - support filter media
 - reduce pressure differential through filter unit at peak flow rates
 - provide even backwash through the diameter of the media tank during regeneration
- High flow distributor with self cleaning slots to prevent plugging from contaminants or filter media
- Fill funnel shipped as part of filter system
- Installation & operation manual included

Purchase 3-6 water treatment systems per order and receive a 10% discount per unit.
Buy 7 + water treatment systems per order and receive a 15% discount per unit.

CSX High Flow Series

Product Type	Model Number	Part Number/ 3M ID	Media Cu. Ft.	Media Incl.	Flow Rate (gpm/lpm)	Space Req. L x W x H (approx.)	Case Lot	Case Wt. (lbs/kg)	UPC Code	List Price
Electronic Time Clock Valve	CSX100	CSX100/ 70020234699	1	SX	6/22.7	10" x 10" x 52"	1	123/55.8	00016145215889	\$3,414.45 ea
	CSX200	CSX200/ 70020234707	2	SX	7/26.5	12" x 12" x 61"	1	225/102.1	00016145215896	\$3,599.85 ea

SX = Sulfur reduction media

Backwash Filter Systems



CBF Series

- Smart electronics with coin style lithium ion battery backup
- Fully ported four position bypass valve with durable connection fittings
- Control valve pre-programmed for efficient water conserving regeneration cycles
- Filter systems shipped without filter media to allow for flexible inventory
- Includes high quality quartz filter gravel underbedded to:
 - support filter media
 - reduce pressure differential through filter unit at peak flow rates
 - provide even backwash through the diameter of the media tank during regeneration
- High flow distributor with self cleaning slots to prevent plugging from contaminants or filter media
- Fill funnel shipped as part of filter system
- Installation & operation manual included

CBF Backwash Filters

Purchase 3-6 water treatment systems per order and receive a 10% discount per unit.
Buy 7 + water treatment systems per order and receive a 15% discount per unit.

Product Type	Model Number	Part Number/ 3M ID	Media Cu. Ft.	Media Incl.	Flow Rate Service (gpm/lpm)	Flow Rate Backwash (gpm/lpm)	Space Req. L x W x H (approx.)	Case Lot	Case Wt. (lbs/kg)	UPC Code	List Price
Electronic Time Clock Backwash Valve	CBF100DM	CBF100DM/ 70020303718	1	No	3/11.4	5.3/20.1	10" x 16" x 53"	1	53/24	00054007971535	\$1,530.32 ea
	CBF150DM	CBF150DM/ 70020303726	1.5	No	3/11.4	5.3/20.1	10" x 16" x 63"	1	59/26.8	00054007971542	\$1,707.11 ea
	CBF200DM	CBF200DM/ 70020303734	2	No	4/15.1	7.3/27.6	12" x 16" x 63"	1	62/28.1	00054007971559	\$1,775.90 ea



= Shipped within 3 days of order placement



CBW Series

- AB 1953 certified brass valve with time proven performance history
- Bypass valve supplied with 1" NPT connections
- Timer assembly capable of multiple backwashing cycles if needed
- Regeneration programming is fully adjustable conserving on water during regeneration
- Models available in both natural and black colored media tanks
- Includes high quality quartz filter gravel underbedded to:
 - support filter media
 - reduce pressure differential through filter unit at peak flow rates
 - provide even backwash through the diameter of the media tank during regeneration
- High flow distributor with self cleaning slots to prevent plugging from contaminants or filter media
- Filter media shipped separately - allows for flexible inventory
- Fill funnel shipped as part of filter system
- Installation & operation manual included
- New Dome Hole versions designed for easier media replacement

CBW Backwash Filters

Purchase 3-6 water treatment systems per order and receive a 10% discount per unit.
Buy 7 + water treatment systems per order and receive a 15% discount per unit.

Product Type	Model Number	Part Number/ 3M ID	Media Cu. Ft.	Media Incl.	Flow Rate Service (gpm/lpm)	Flow Rate Backwash (gpm/lpm)	Space Req. L x W x H (approx.)	Case Lot	Case Wt. (lbs/kg)	UPC Code	List Price
AB 1953 Certified Brass Valve Time Clock CEC1000	CBW1001DM	CBW1001DM/ 70020303742	1	No	5/18.9	5/18.9	12" x 18" x 56"	1	62/28.1	00054007971566	\$2,324.25 ea
	CBW1501DM	CBW1501DM/ 70020303759	1.5	No	6/22.7	5/18.9	12" x 18" x 66"	1	68/30.8	00054007971573	\$2,411.02 ea
	CBW2001DM	CBW2001DM/ 70020303775	2	No	7/26.5	7/26.5	12" x 18" x 66"	1	71/32.2	00016145053627	\$2,479.73 ea

Non-Backwash Carbon Filter Systems



MF Series

- Easy accessible fill port opening with an upper screen to retain filter media
- Includes high quality quartz filter gravel underbed to:
 - support filter media
 - reduce pressure differential through filter unit at peak flow rates
 - provide even backwash through the diameter of the media tank during regeneration
- High flow distributor with self cleaning slots to prevent plugging from contaminants or filter media
- Fully ported four way position bypass valve with durable connection fittings
- Shipped with high quality coconut shell carbon meeting CA arsenic level requirements
- Installation & operation manual included
- Fill funnel shipped as part of filter system

MF Non-Backwash Carbon Filter Series

Purchase 3-6 water treatment systems per order and receive a 10% discount per unit.
Buy 7 + water treatment systems per order and receive a 15% discount per unit.

Product Type	Model Number	Part Number/ 3M ID	Media Cu. Ft.	Media Incl.	Flow Rate * (gpm/lpm)	Space Req. L x W (approx.)	Case Lot	Case Wt.** (lbs/kg)	UPC Code	List Price
Non-Backwashing Carbon Filter	MF0844A	MF0844A/ 70020097823	1	A	5.2/19.7	8" x 44"	1	60	00016145058318	\$1,107.25 ea
	MF1044A	MF1044A/ 70020097831	2	A	8.2/31.0	10" x 44"	1	89	00016145058325	\$1,236.00 ea
	MF1354A	MF1354A/ 70020097856	3	A	13.8/52.2	13" x 54"	1	97	00016145058349	\$1,570.75 ea

* Calculated at 15 gpm service flow

A = Activated Carbon

Iron Reduction Systems




APIF Series – Iron Reduction Filter Systems

Features:

- No chemicals, chlorine, salt or potassium permanganate needed!
- Automatically adjusts pH of acid water for reduced corrosion
- Smart electronics with coin style lithium ion battery backup
- Control valve pre-programmed for efficient water conserving regeneration cycles
- Includes high quality quartz filter gravel underbed to:
 - support filter media
 - reduce pressure differential through filter unit at peak flow rates
 - provides backwash through the diameter of the media tank during regeneration
- High flow distributor with self cleaning slots to help prevent plugging from contaminants or filter media
- Systems shipped with fully adjustable hydro charger for complete oxidation of metals for reliable filtration
- Blended filter media provided is a homogenous mixture to support even pH adjustment and filtration
 - choice of two media bed types to address specific water needs (consult customer service for selection)
- Better tasting drinking water
- Reduces rotten-egg odors (hydrogen sulfide gas)
- Reduces rust stains in laundry and plumbing fixtures
- Installation & operation manual included

APIF High Flow Series

Purchase 3-6 water treatment systems per order and receive a 10% discount per unit.
Buy 7 + water treatment systems per order and receive a 15% discount per unit.

Product Type	Model Number	Part Number/ 3M ID	Media Cu. Ft.	Media Incl.	Flow Rate (gpm/lpm)	Space Req. L x W x H (approx.)	Case Lot	Case Wt. (lbs/kg)	UPC Code	List Price
Iron Reduction Electronic Time Clock Valve	 APIF100DM	APIF100DM/ 70020303270	1.0	MC	6/22.7	10" x 16" x 53"	1	143/64.9	00054007971108	\$1,785.20 ea
	 APIF150DM	APIF150DM/ 70020303585	1.5	MC	7/26.5	10" x 16" x 63"	1	186/84.4	00016145154355	\$1,964.75 ea
	 APIF200DM	APIF200DM/ 70020303627	2.0	MC	9/34.1	12" x 16" x 63"	1	257/116.6	00054007971443	\$2,087.81 ea
	 APIF300	APIF300/ 70020159730	3.0	MC	12/45.4	14" x 16" x 74"	1	353/160.1	00016145154379	\$2,682.66 ea
	 APIF100MDM	APIF100MDM/ 70020303551	1.0	MC-M	6/22.7	10" x 16" x 53"	1	143/64.9	00016145173417	\$1,833.47 ea
	 APIF150MDM	APIF150MDM/ 70020303593	1.5	MC-M	7/26.5	10" x 16" x 63"	1	186/84.4	00054007971412	\$2,021.91 ea
	 APIF200MDM	APIF200MDM/ 70020303635	2.0	MC-M	9/34.1	12" x 16" x 63"	1	257/116	0054007971450	\$2,184.31 ea
	 APIF100PTDM incl. Aeration Tank	APIF100PTDM/ 70020303577	1.0	MC-10MP	6/22.7	10" x 16" x 53"	1	143/64.9	00054007971399	\$2,574.07 ea

MC = Standard Iron Filter Media, MC-M = M-BED Media, Media is included and shipped with the product, but is not loaded



= Shipped within 3 days of order placement



MCA Series

Features:

- AB 1953 certified brass valve with time proven performance history (CEC 1000)
- Bypass valve supplied with 1" NPT connections
- Regeneration programming is fully adjustable conserving on water during regeneration
- Installation & operation manual included
- Models available in both natural and black colored media tanks
- Includes high quality quartz filter gravel underbed to:
 - support filter media
 - reduce pressure differential through filter unit at peak flow rates
 - provides even backwash through the diameter of the media tank during regeneration
- High flow distributor with self cleaning slots to help reduce plugging from contaminants or filter media
- Fill funnel shipped as part of filter system

High Flow CEC1000 Series

Purchase 3-6 water treatment systems per order and receive a 10% discount per unit.
Buy 7 + water treatment systems per order and receive a 15% discount per unit.

Product Type	Model Number	Part Number/ 3M ID	Media Cu. Ft.	Media Incl.	Flow Rate (gpm/lpm)	Space Req. L x W x H (approx.)	Case Lot	Case Wt. (lbs/kg)	UPC Code	List Price
AB 1953 Certified Brass Valve Time Clock CEC1000	MCA1001	MCA1001/ 70020097195	1.0	MC	5/18.9	12" x 18" x 52"	1	157/71.2	00016145057687	\$2,240.25 ea
	MCA2001	MCA2001/ 70020097476	2.0	MC	8/30.2	12" x 18" x 62"	1	264/119.8	00016145057960	\$2,425.65 ea

* Media is included and shipped with the product, but is not loaded. A funnel for loading is provided. Space Req. height does not incl. MAXAPRT

MC= Standard Iron Filter Media, MC-M = M-BED Media

Acid Neutralizer Systems



APUN Series — Acid Neutralizer

Features:

- Easy accessible fill port opening with an upper screen to retain filter media
- Includes high quality quartz filter gravel underbed to:
 - support filter media
 - reduce pressure differential through filter unit at peak flow rates
- High flow distributor with self cleaning slots to help prevent plugging from contaminants or filter media
- Fully ported four position bypass valve with durable connection fittings
- Available with media as part of system or less media for custom blending of filter media
- Systems shipped with connections to accept boiler drain to aid in flushing media to waste prior to use
- 1" NPT inlet/outlet
- Installation & operation manual included
- Fill funnel shipped as part of filter system

Purchase 3-6 water treatment systems per order and receive a 10% discount per unit.
Buy 7+ water treatment systems per order and receive a 15% discount per unit.

APUN Acid Neutralizers

Product Type	Model Number	Part Number/ 3M ID	Media Cu. Ft.	Media Incl.	Flow Rate (gpm/lpm)	Space Req. L x W x H (approx.)	Case Lot	Case Wt. (lbs/kg)	UPC Code	List Price
Acid Neutr. Up-Flow	APUN101	APUN101/ 70020092295	1	C	6/22.7	10" x 10" x 52"	1	123/55.8	00016145053061	\$1,066.05 ea
	APUN201	APUN201/ 70020092303	2	C	7/26.5	12" x 12" x 61"	1	225/102.1	00016145053078	\$1,416.74 ea
	APUN301	APUN301/ 70020047380	3	C	12/45.4	14" x 14" x 65"	1	398/180.5	00016145020636	\$2,187.72 ea
	APUN100-LM	APUN100-LM/ 70020164391	1	N/A	6/22.7	10" x 10" x 52"	1	84/38.1	00016145158971	\$901.79 ea
	APUN200-LM	APUN200-LM/ 70020164409	2	N/A	7/26.5	12" x 12" x 61"	1	92/41.7	00016145158988	\$1,210.25 ea

C = Calcium Carbonate



= Shipped within 3 days of order placement

Metering Pumps/Solution Tanks



Metering Pumps/Solution Tanks/Chemical Feed Pumps

For hydrogen sulfide, acid water, bacteria, tannins, algae, iron and manganese water quality concerns

- Versatile pump rates
- Designed for easy installation and operation — low maintenance
- Durable pump housing — resistant to corrosion
- For use with various water treatment solutions
- Rugged construction

Specifications:

- Feed Rate: 24 gal/day (91 liter/day)
- Maximum Operating Pressure: 100 psi (690 kPa)

Application	Suggested Dosing of Chlorine	Other	Treatment Solution
Bacteria	1 ppm residual test reading after holding tank	Acid Water	Soda Ash
Hydrogen Sulfide	3 ppm for each part of hydrogen sulfide		
Iron	1 ppm for each part of iron		

Note: Injecting chlorine solution into system causes dissolved iron, manganese and hydrogen sulfide to precipitate for reduction downstream with an 3M™ Aqua-Pure™ backwashing system.

Metering Pumps/Solution Tanks

Product Type	Model Number	Part Number/ 3M ID	Description	Dimensions L x W x H	Case Lot	Case Wt. (lbs/kg)	UPC Code	List Price
Metering Pump	APMP100	APMP100/ 70020041391	Metering Pump • 115 Volt/60 Hz	3.5" x 7.5" x 8.5"	1	10/4.5	00016145019265	\$794.73 ea
	APMP100A	APMP100A/ 70020041409	Metering Pump • 230 Volt/60 Hz	3.5" x 7.5" x 8.5"	1	10/4.5	00016145019272	\$844.81 ea
Solution Tank	APSLTANK	APSLTANK/ 70020101021	15 Gallon Solution Tank	14"d x 24"h	1	7/3.2	00016145020612	\$233.12 ea

3M™ Aqua-Pure™ Ultraviolet Light Systems

APUV1



APUV1

Part Number/ 3M ID	Case Lot	Description	Flow Rate (gpm/lpm)	Application	Case Weight (lbs/kg)	UPC Code	List Price
5605801/ 70020018811	1	System	1/3.8	Point Of Use — Undersink	5/2.3	00016145107542	\$799.02 ea
5605831/ 70020125988	1	Bulb	N/A	Replacement Bulb		00016145123726	\$159.79 ea
5605832/ 70020125996	1	Sleeve	N/A	Replacement Sleeve		00016145123733	\$67.32 ea
5605859/ 70020018951	1	Ballast	N/A	Replacement Ballast		00016145008306	\$255.22 ea
5605861/ 70020018977	1	Power Cord	N/A	Replacement Power Cord		00016145008320	\$19.85 ea
5605862/ 70020018985	1	O-rings	N/A	Replacement O-rings		00016145008337	\$2.80 ea

APUV2



APUV2

Part Number/ 3M ID	Case Lot	Description	Flow Rate (gpm/lpm)	Application	Case Weight (lbs/kg)	UPC Code	List Price
5605802/ 70020018829	1	System	2/7.6	Point Of Use — Undersink	6/2.7	00016145107559	\$822.18 ea
5605833/ 70020018878	1	Bulb	N/A	Replacement Bulb		00016145107603	\$159.79 ea
5605834/ 70020018886	1	Sleeve	N/A	Replacement Sleeve		00016145107610	\$71.38 ea
5605859/ 70020018951	1	Ballast	N/A	Replacement Ballast		00016145008306	\$255.22 ea
5605861/ 70020018977	1	Power Cord	N/A	Replacement Power Cord		00016145008320	\$19.85 ea
5605862/ 70020018985	1	O-rings	N/A	Replacement O-rings		00016145008337	\$2.80 ea

APUV5



APUV5

Part Number/ 3M ID	Case Lot	Description	Flow Rate (gpm/lpm)	Application	Case Weight (lbs/kg)	UPC Code	List Price
5605803/ 70020018837	1	System	5/18.9	Small House — Cottage	6/2.7	00016145107566	\$982.18 ea
5605835/ 70020018894	1	Bulb	N/A	Replacement Bulb		00016145107627	\$161.77 ea
5605836/ 70020018902	1	Sleeve	N/A	Replacement Sleeve		00016145107634	\$90.00 ea
5605859/ 70020018951	1	Ballast	N/A	Replacement Ballast		00016145008306	\$255.22 ea
5605861/ 70020018977	1	Power Cord	N/A	Replacement Power Cord		00016145008320	\$19.85 ea
5605862/ 70020018985	1	O-rings	N/A	Replacement O-rings		00016145008337	\$2.80 ea

APUV8



APUV8

Part Number/ 3M ID	Case Lot	Description	Flow Rate (gpm/lpm)	Application	Case Weight (lbs/kg)	UPC Code	List Price
5605804/ 70020018845	1	System	8/30.3	Whole House	10/4.5	00016145107573	\$1,477.13 ea
5605837/ 70020018910	1	Bulb	N/A	Replacement Bulb		00016145107641	\$168.23 ea
5605838/ 70020018928	1	Sleeve	N/A	Replacement Sleeve		00016145107658	\$93.61 ea
5605859/ 70020018951	1	Ballast	N/A	Replacement Ballast		00016145008306	\$255.22 ea
5605861/ 70020018977	1	Power Cord	N/A	Replacement Power Cord		00016145008320	\$19.85 ea
5605862/ 70020018985	1	O-rings	N/A	Replacement O-rings		00016145008337	\$2.80 ea

Water Treatment Accessories

Model Number	Part Number/ 3M ID	Description	Case Lot	Case Wt. (lbs/kg)	UPC Code	List Price
Weather Cover	V3175WC-A/ 70020159540	Almond Only (CWS, CWS-ME, CWSX-ME, CWS-MEX, CWL-ME, CWST-ME, ASB, CBF, APIF, APPM and CSX Series)	Contact Factory	Contact Factory	00016145154188	\$43.71 ea
6238731	6238731/ 70020295229	Dome Hole Tank Funnel	1	N/A	0054007964858	\$66.83 ea
HC10	HC10/ 70020050970	Plastic Hydrocharger	1	N/A	00016145024115	\$93.81 ea
FS1	FS1/ 70020050830	Flow Switch for use with APPM Series	1	N/A	00016145024009	\$264.44 ea
N/A	6238731/ 70020295229	Fill funnel for Dome Hole Tank	1	N/A	00054007964858	\$66.83 ea
N/A	V3007-02 70020120872	Adapter Kit 1" Brass Sweat	1	N/A	00016145118074	\$29.34 ea
N/A	V3007-03LF 70020268853	Adapter Kit 3/4" Low Lead	1	N/A	00016145251481	\$34.98 ea
N/A	V3007-04 70020138700	Adapter Kit 1" NPT Plastic	1	N/A	00016145135842	\$21.17 ea
N/A	V3007-06 70020182989	Adapter Kit 1" BSP Plastic	1	N/A	00016145177446	\$19.65 ea
N/A	18706 7002061407	Yoke, 1" Connection (For NWS, CS/CSM, CBW, MCA models)	1	N/A	00016145034312	\$18.92 ea

Adapter Kits to be used on CWS-ME, CWSX-ME, CWS-MEX, CWL-ME, CWST-ME, ASB, CBF, APIF, APPM, CSX, MF AND APUN Series units.

Water Test Kits

Model Number	Part Number/ 3M ID	Description	Case Lot	Case Wt. (lbs/kg)	UPC Code	List Price
APTK1	APTK1/ 70020092279	Tests for iron, manganese, pH, sulfides, tannins, hardness and copper	1	7/3.2	00016145053047	\$1,134.68 ea
APTK62B	5592131/ 70020017607	Test Kit for iron, hardness and pH	1	5/2.3	00016145007903	\$766.22 ea
ARS-TEST	ARS-TEST 70020119684	Test Kit for Arsenic	1	1/0.5	00016145117039	\$80.86 ea
AP-TEST	5621304/ 70020197284	<ul style="list-style-type: none"> • Test Kit for 3M Purification laboratory analysis: pH, TDS, hardness, turbidity, iron, manganese, tannins and other non-health related contaminants • Bulk -10 kits 	1	1/0.5	00016145185212	FREE case of 10

FILTER MEDIA & RESIN SELECTIONS

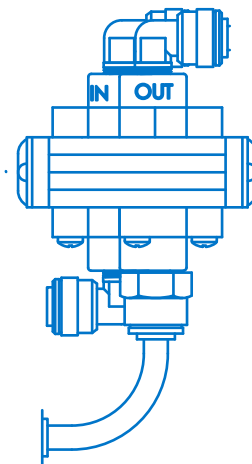
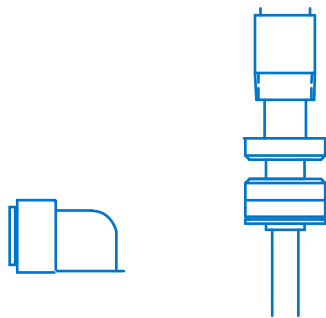
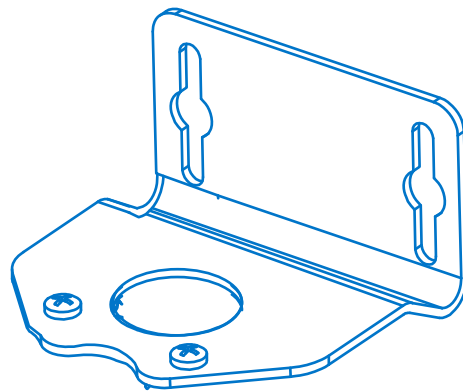
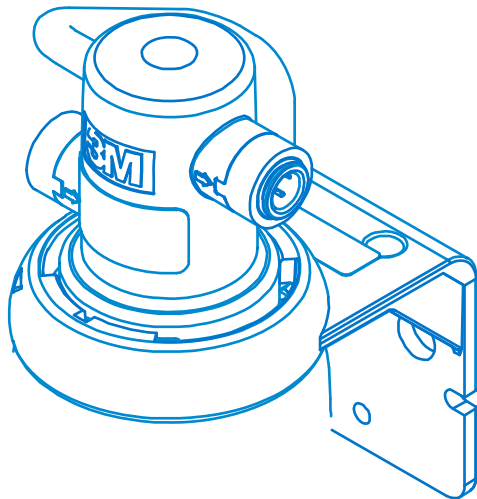
Part Number/ 3M ID	Media Type	Quantity (Cu. Ft.)	Package	Weight (lbs) (approx)	UPC	List Price
A-050P/ 70020092139	ACTIVATED CARBON	0.50	PAIL	14	00016145052910	\$80.79 ea
AA-050MP/ 70020047240	ACRYLIC ANION (TANNIN) RESIN	0.50	PAIL	26	00016145020506	\$518.61 ea
ACC-050P/ 70020047265	ACTIVATED CARBON FOR CHLORAMINES REDUCTION	0.50	PAIL	17	00092498003038	\$305.00 ea
C-050P/ 70020092758	CALCIUM CARBONATE	0.50	PAIL	45	00092498003601	\$37.67 ea
CSI-10/ 70020093434	RUST BUSTER REBED KIT	1.00	PAIL	88	00016145054105	\$314.99 ea
D-050P/ 70020049790	ANION RESIN (NITRATE)	0.50	PAIL	22	00016145022968	\$527.89 ea
F-050P/ 70020050210	FILTER-AG®	0.50	PAIL	13	00016145023385	\$48.59 ea
FM-050P/ 70020050517	FM = FINE MESH RESIN	0.50	PAIL	26	00016145023682	\$114.64 ea
G-050P/ 70020050897	GREENSAND	0.50	PAIL	23	00092498004851	\$84.07 ea
H-050P 70020095439	HCP = HI-CAP RESIN (CATION32)	0.50	PAIL	43	00016145056031	\$111.36 ea
X9000080 (IX2412)/ 70020267699	MINERAL CLEANER & RUST REDUCER	N/A	12 – 24 oz. bottles	18	00016145250316	\$191.06 ea
MC-050P/ 70020097054	MC = IRON FILTER STANDARD MEDIA	0.50	PAIL	43	00016145057564	\$52.80 ea
MC-050MP/ 70020051929	MC-M = IRON FILTER M-BED MEDIA	0.50	PAIL	43	00016145025037	\$59.48 ea
ML-050P/ 70020052018	GENERAL PURPOSE, MULTI-LAYER, Particulate MEDIA	0.50	PAIL	43	00092498003649	\$72.77 ea
N-050P/ 70020097955	NEUTRALIZER	0.50	PAIL	43	00092498003625	\$62.23 ea
PH35/ 70020100437	SODA ASH (will ship in 2 pails)	0.50	PAIL	35	00092498004073	\$93.89 ea
pHPlus 70020100411	MAGNESIUM OXIDE	N/A	6 – 4 lb. bottles	18	00092498003724	\$160.68 ea
QC-12P/ 70020100833	QUARTZ GRAVEL (COARSE, 1/4 x 1/8 INCHES)	0.12	PAIL	12	00016145061042	\$33.31 ea
QC-15P/ 70020141266		0.15		15	00016145138355	\$33.85 ea
QC-18P/ 70020100841		0.18		20	00016145061059	\$34.40 ea
QC-20P/ 70020100858		0.20		25	00092498004066	\$34.94 ea
QC-25P/ 70020100866		0.25		35	00016145061066	\$35.75 ea
QC-35P/ 70020054881		0.35		50	00016145027840	\$37.67 ea
QC-50P/ 70020100874		0.50		50	00092498003755	\$38.03 ea
QF-20/ 70020054956	QUARTZ GRAVEL (#16 FLINT, FINE)	0.20	PAIL	20	00016145027918	\$54.59 ea
QF-50P/ 70020054964	0.50	50		00016145027925	\$38.03 ea	
QFS-50P/ 70020055029	FILTER SAND (.44 - .55 mm, EXTRA FINE)	0.50	PAIL	50	00016145027987	\$60.05 ea
QXC-50P/ 70020055136	QUARTZ GRAVEL (1/2 x 1/4 INCHES, EXTRA COARSE)	0.50	PAIL	50	00016145028090	\$46.41 ea
SS0104/ 70020101013	3M™ SULFUR REDUCTION CONCENTRATED SOLUTION (4 – 1 GALLON BOTTLES)	N/A	BOTTLE	33.2	00016145061141	\$194.34 cs
SX-050P/ 70020101138	SULFUR REDUCTION	0.50	PAIL	43	00016145061172	\$68.24 ea
TO-10B/ 70020120666	TITANIUM OXIDE	1.00	BAG	40	00016145117862	\$1,337.46 ea
X-050P/ 70020102573	MAGNESIUM OXIDE	0.50	PAIL	35	00016145062551	\$134.84 ea

Repackaging of any of the above products in smaller quantities for sale at retail may be in violation of packaging and labeling requirements established by the U.S. Consumer Product Safety Commission and the Department of Transportation. The practice of repackaging is strongly discouraged because of potentially harmful health risks. 3M Purification Inc. assumes no liability whatsoever in its connection. Additionally, the above products cannot be shipped by air and may be subject to hazardous materials shipping surcharges when shipped by ground transportation.

NOTES

Replacement Parts

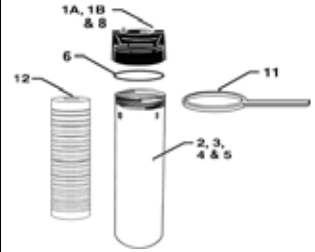
The 3M™ Aqua-Pure™ portfolio includes a full line of parts and accessories that help plumbing professionals provide customers with superior water filtration and treatment solutions.



Replacement Parts Section

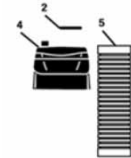
AP11S/AP11T/AP12S/AP12T/AP26T/AP51T/AP101S/AP101T/AP102S/AP102T/AP141T

Item No.	Part Number/ 3M ID	Description	List Price (ea)
1	6981502/ 70020022318	Head Assy (AP101/AP102)	\$100.33
1A	6981401C/ 70020028521	Head Assy (AP11/AP12/AP51/AP52)	\$67.17
1B	6986202/ 70020022359	Head Assy (AP25/AP26)	\$75.53
2	6981131C/ 70020028505	Housing (1-high opaque)	\$58.59
3	6981142/ 70020022268	Housing (1-high transparent Isoplast sump)	\$127.78
4	6493201C/ 70020043124	Housing (2-high opaque) w/post	\$89.35
5	6981141/ 70020075092	Housing (2-high transparent Isoplast sump) w/o post	\$179.12
not shown	6981731C/ 70020028539	2-high center post	\$9.68
6	63597174C/ 70020008242	O-ring	\$5.50
not shown	5548001C/ 70020027135	Gasket kit for head (AP101/AP102)	\$14.69
8	5548801C/ 70020027143	Pressure relief button kit	\$12.73
not shown	6980931/ 70020022243	Shaft	\$3.24
not shown	6981031/ 70020022250	Handle (AP101/AP102 head assy.)	\$13.39
11	6843432C/ 70020028430	Wrench	\$9.20
12	—	Cartridge — refer to cartridge section	\$-
not shown	6983831/ 70020022334	Spool (AP101/AP102)	\$3.22
not shown	6981231/ 70020022276	Rotary Valve (AP101/AP102)	\$5.87



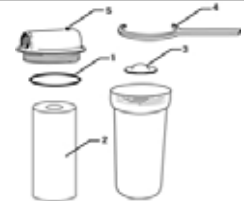
AP10S/AP10T/AP50T/AP100/AP100T/AP150/AP150T

Item No.	Part Number/ 3M ID	Description	List Price (ea)
2	3703122C/ 70020024694	O-ring for post assembly	\$4.02
4	5548801C/ 70020027143	Pressure relief button kit	\$12.73
5	—	Cartridge — refer to cartridge section	



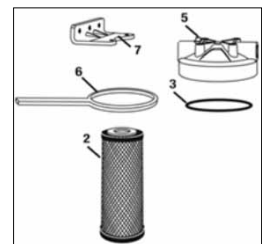
AP10/AP50

Item No.	Part Number/ 3M ID	Description	List Price (ea)
1	3685135/ 70020014190	Gasket for sump	\$5.33
2	—	Cartridge — refer to cartridge section	
3	3424532/ 70020126119	Seal plate	\$6.41
5	5548801C/ 70020027143	Pressure relief button kit	\$12.73



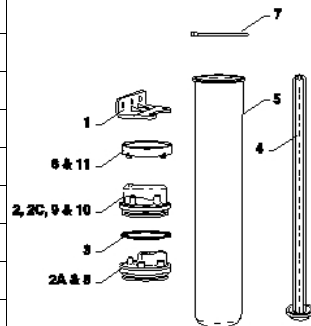
AP801/AP801-1.5/AP802/AP802-1.5

Item No.	Part Number/ 3M ID	Description	List Price (ea)
2	—	Cartridge — refer to cartridge section	
3	6889832/ 70020021906	Gasket (without logo — new style)	\$3.55
5	6889932/ 70020021914	Pressure relief button kit	\$6.85
6	6890033/ 70020021930	Wrench	\$10.91
7	6890131/ 70020021948	Mounting kit (optional)	\$31.86



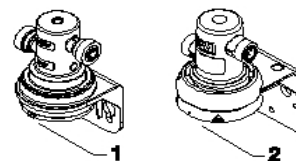
AP400/AP1610/AP2610/SS1/SS1HA/SS1H1/SS2HA/SS2HB/SSTSD

Item No.	Part Number/ 3M ID	Description	List Price (ea)
1	35581-01C/ 70020024629	Mounting bracket — for all metal filters	\$11.23
2	6207632/ 70020021070	SS Head-3/4" NPT for AP400/AP1610/AP2610/SS1HA	\$108.48
2A	6207531/ 70020021054	SS Head-3/8" NPT vertical for SS1/SS2	\$104.17
3	3473713C/ 70020024538	Gasket for all metal filters	\$6.11
4	6357102C/ 7002016558	Centering guide for AP2610/SS2	\$46.91
5	6446202C/ 70020027960	Housing for AP2610/SS2/SST2 Series	\$530.20
5A	6362604C/ 70020027952	Housing for AP1610/AP1610SS/SSTSD/ SS1/SST Series	\$211.57
6	6207831/ 70020007343	SS Ring nut for metal filters	\$48.37
7	6356201C/ 70020027937	Wrench for all metal filters	\$6.11
8	6207532/ 70020021062	Head for SSTSD	\$107.19
9		Head — 1" horizontal for SST2HB	\$128.74
10	6207632/ 70020021070	Head — 3/4" horizontal for SST1HA	\$108.48
11	6207831/ 70020007343	Nickel plated ring nut for SST1	\$48.37



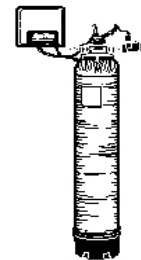
AP Easy

Item No.	Part Number/ 3M ID	Description	List Price (ea)
1	52-196106/ 70020042902	Head & Bracket Assy. For DWS & Cooler Series	\$49.58
not shown	50-4011/ 70020243278	Install Kit For DWS & Cooler Series	\$26.28
	—	Cartridge — refer to cartridge section	
2	52-180016/ 70020253772	Head & Bracket Assy. For Full Flow Series	\$37.12



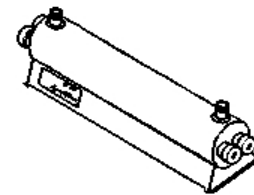
APUV12

Part Number/ 3M ID	Description	UPC Code	List Price (ea)
UVLB-1X/ 70020102128	Bulb Assembly	016145062117	\$190.91
UVQS-1X/ 70020102136	Sleeve Assembly	016145062124	\$115.76
UVSOL-1X/ 70020056845	Solenoid/Valve	016145029769	\$83.36
UVCTL-1X/ 70020056803	Control Comp	016145029721	\$833.26
UVBA-1X/ 70020102110	Ballast	016145062100	\$128.85



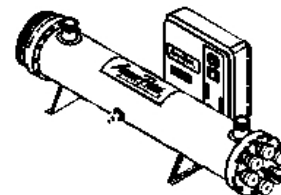
APUV24

Part Number/ 3M ID	Description	UPC Code	List Price (ea)
5605841/ 70020018852	Bulb	016145107665	\$232.29
5605842/ 70020018944	Sleeve	016145107672	\$141.52
5605860/ 70020018969	Ballast	016145008313	\$802.14
5605862/ 70020018985	O-rings	016145008337	\$2.80
5605865/ 70020019009	Circuit Board	016145008344	\$894.99



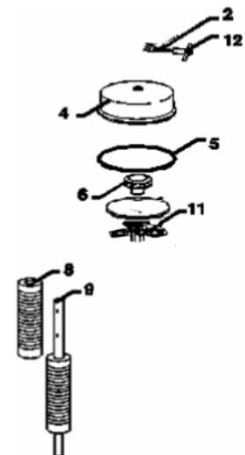
APUV65

Part Number/ 3M ID	Description	UPC Code	List Price (ea)
5605841/ 70020018860	Bulb	016145107665	\$232.29
5605842/ 70020018944	Sleeve	016145107672	\$141.52
5605860/ 70020018969	Ballast	016145008313	\$802.14
5605862/ 70020018985	O-rings	016145008337	\$2.80



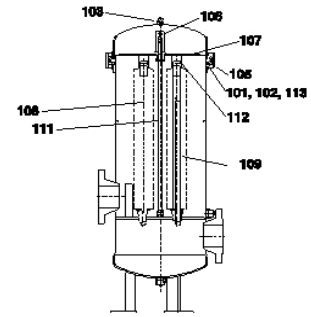
SS4/SS8/SS12/SS20 and SS EPE-316L SERIES WHERE SPECIFIED

Item No.	Part Number/3M ID	Description	List Price (ea)
1 & 2	3756333C/70020092113	Cover clamp, bolt & nut (BOTH SERIES)	\$162.78
4	3787201C/70020091800	Cover (less plug)	\$238.04
5	3792031C/70020088194	Gasket (shell) (BOTH SERIES)	\$25.62
6	6710501/70020090786	Locking knob (BOTH SERIES)	\$12.26
7A	6453201C	Pressure Plate SS20	\$68.37
7B	6453203	Pressure plate SS4/SS8/SS12 (EPE-316L ONLY)	\$151.45
7C	6453204	Pressure Plate SS20 (EPE-316L ONLY)	\$113.70
8	-	Cartridges - refer to cartridge section	\$-
9	6681709/70020219997	Cartridge post - SS4	\$45.62
9A	6681710C	Cartridge post - SS8	\$51.19
9B	6681711C/70020084599	Cartridge post - SS12	\$60.78
9C	6681712C	Cartridge post - SS20	\$60.78
9F	6681715	Cartridge post - SS12 EPE-316L	\$89.27
11	6501101C	Center rod - SS4	\$358.04
11A	6501102C	Center rod - SS8	\$385.68
11B	6501103C	Center rod - SS12	\$412.32
11C	6501104C	Center rod - SS20	\$443.34
11D	6017535	Center rod - SS4 EPE-316L	Contact Factory
11E	6017536	Center rod - SS8 EPE-316L	Contact Factory
11F	6017537	Center rod - SS12 EPE-316L	Contact Factory
11G	6017538	Center rod - SS20 EPE-316L	Contact Factory
12	9903104C/70020092121	T-bolt & nut kit (BOTH SERIES)	\$58.88



SS24/SS36, SS EPE-316L and SS48 EPE-316L SERIES WHERE SPECIFIED

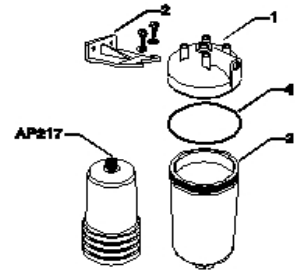
Item No.	Part Number/3M ID	Description	List Price (ea)
101 & 102	3756335C/70020126127	Cover clamp & nut (BOTH SERIES)	\$623.59
103	6409632C/70020126259	1/4" NPT plug	\$16.53
103A	63292-35	1/4" NPT plug (EPE-316L ONLY)	Contact Factory
105	6347532C/70020126242	Gasket (shell) (BOTH SERIES)	\$115.46
106	6347901C/7002016044	Locking knob	\$255.11
106A	6347903	Locking knob (EPE-316L ONLY)	Contact Factory
107	6346433C/70020126234	Pressure plate	\$327.97
107A	6346443	Pressure plate (EPE-316L ONLY)	Contact Factory
108	-	Cartridge - refer to cartridge section	\$-
109	6681702C/70020083674	Cartridge post - SS24	\$30.06
109B	6681706/70020083666	Cartridge post - SS24 EPE-316L	\$74.58
109C	6681707/70020013689	Cartridge post - SS36 EPE-316L	\$68.40
111	6346202C/70020126218	Center rod - SS24	\$211.42
111C	6346207	Center rod - SS36	Contact Factory
112	6343702C/70020082940	Spring & seal plate assy.	\$24.82
112A	6343707/70020013614	Spring & seal plate assy. (EPE-316L ONLY)	\$57.01
113	9903107C/70020159052	T-Bolt and Nut Kit	\$136.01



AP200/AP210

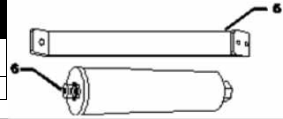
Item No.	Part Number/ 3M ID	Description	List Price (ea)
1 & 2	6875601*	Head assembly	\$64.53
1	6858631/ 70020021567	Head	\$40.63
2	5568201/ 70020015320	Mounting bracket	\$12.95
3	6462331/ 70020021237	Housing	\$53.04
4	3685135/ 70020014190	Gasket	\$5.33
4A	3507675C/ 70020024546	Gasket (for filters mfd. before 7/1/79)	\$6.18

*Includes head, mounting bracket, screws. Replaces part number 65452.31.



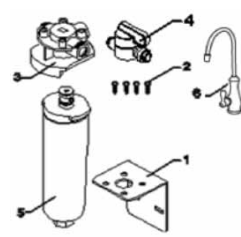
AP300/AP300B/AP305/AP450/AP450B

Item No.	Part Number/ 3M ID	Description	List Price (ea)
5	6204332/ 70020021013	Bracket (AP305), valved	\$35.56
6	—	Cartridge (AP317) — refer to cartridge section	



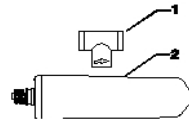
AP310/AP-DWS310

Item No.	Part Number/ 3M ID	Description	List Price (ea)
1	36-3090/ 70020024678	Bracket Mounting	\$5.02
2	6841444/ 70020319169	Installation Kit	\$6.07
3	52-551313/ 70020002997	Plastic SQC head	\$25.36
4	6897432/ 70020008044	Shut off valve	\$15.45
5	—	Cartridge (AP327) — refer to cartridge section	
6	6221545/ 70020238823	Faucet	\$62.10



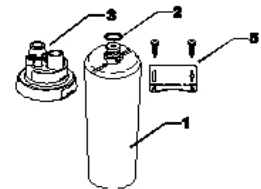
AP430SS

Item No.	Part Number/ 3M ID	Description	List Price (ea)
1	6838732/ 70020021385	Head	\$101.85
2	—	Cartridge (AP431) — refer to cartridge section	



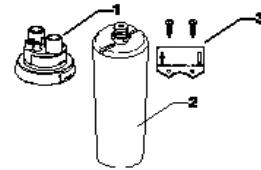
AP500

Item No.	Part Number/ 3M ID	Description	List Price (ea)
1	—	Cartridge — refer to cartridge section	
2	63597205/ 70020022532	Gasket	\$2.43
3	6856702/ 70020002740	Head assembly	\$82.11
5	5551501/ 70020014612	Mounting bracket	\$10.46



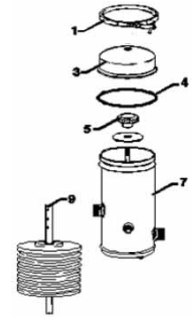
AP510

Item No.	Part Number/ 3M ID	Description	List Price (ea)
1	6856702/ 70020002740	Head assembly	\$82.11
2	—	Cartridge (AP517) — refer to cartridge section	
3	6896331/ 70020002765	Mounting bracket	\$9.75



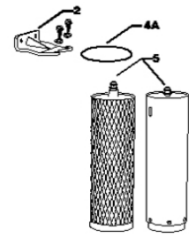
AP2100

Item No.	Part Number/ 3M ID	Description	List Price (ea)
1	3756333C/ 70020092113	Cover clamp & nut	\$167.83
2	3424932C/ 70020024520	Petcock	\$4.45
3	3787201C/ 70020091800	Cover	\$238.04
4	3792031C/ 70020088194	Cover gasket	\$25.62
5	6977201C	Compression knob	\$116.79
7	6977701C	Center rod	\$110.70
10	6977301	Sump	\$1,249.37
11	—	Cartridge (AP2150) — refer to cartridge section	
12	6409634/ 70020126267	Pipe Plug	\$18.16



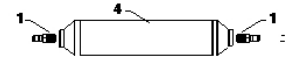
APCRF/APC77/APC78

Item No.	Part Number/ 3M ID	Description	List Price (ea)
2	5568201/ 70020015320	Bracket	\$12.95
4A	3685135 70020014190	O-ring gasket	\$5.33
5	—	Cartridge (C77/C78) — refer to cartridge section	
not shown	6221545/ 70020238823	Faucet	\$62.10
not shown	6884531/ 70020021724	Outlet elbow	\$12.37



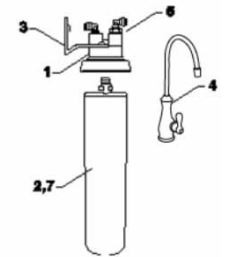
APIL3

Item No.	Part Number/ 3M ID	Description	List Price (ea)
1	74-985001/ 70020029214	Quick connect male connections	\$1.51
4	—	Cartridge (APILR3) — refer to cartridge section	



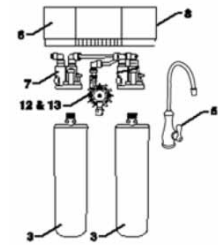
AP-DWS700/AP-DWS750

Item No.	Part Number/ 3M ID	Description	List Price (ea)
1	6856702/ 70020002740	Head assembly	\$82.11
2	—	Cartridge (DW85) — refer to cartridge section	
3	6896331/ 70020002765	Mounting bracket	\$9.75
4	6221545/ 70020238823	Faucet	\$62.10
5	60-90411/ 70020027846	Flow control assembly	\$18.82



AP-DWS1000

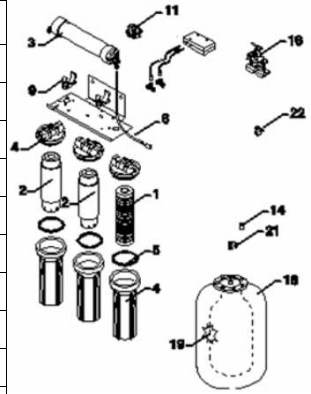
Item No.	Part Number/3M ID	Description	List Price (ea)
2	82-11203/70020030089	1/4" Inlet yellow tubing* (price per ft.)	\$0.34
3	—	Cartridge — refer to cartridge section	
4	82-11202/70020030071	1/4" Inlet blue tubing* (price per ft.)	\$0.49
5	62215-45/70020238823	Faucet	\$62.10
6	6884131/70020021708	Shroud	\$49.23
7	6887101/70020021807	Head	\$74.58
8	85-400201/70020030410	UTC Shroud Mounting Pin	\$0.10
9	6884531/70020021724	3/8" NPT x 1/4" tube elbow	\$12.36
10	6887331/70020021823	1/4" NPT adapter x 1/4" tube	\$14.38
12	6887033/70020021799	Metering valve	\$115.80
13	6980434/70020022235	Metering valve screw (need 4 each)	\$0.42



*Must order minimum of 10 ft.

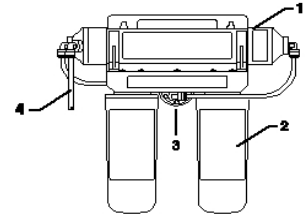
APRO5000

Item No.	Part Number/ 3M ID	Description	List Price (ea)
1	—	Cartridge (AP110) — refer to cartridge section	
2	—	Cartridge (AP117RO) — refer to cartridge section	
3	5557102/ 70020014836	RM-TFC Membrane	\$395.30
3B	5608401/ 70020019231	High Flow RO Module	\$200.00
4	5581534/ 70020015742	10" filter housing and head	\$60.62
5	5581535/ 70020015759	O-ring — 10" filter housing	\$5.76
6		SFC flow control STD — Call Technical Services for info	
7	5581537/ 70020015775	Union, 1/4"	\$3.93
15	5581545/ 70020015833	Drain saddle, complete	\$16.89
17	5581547/ 70020125970	% rejection monitor w/probes — OBSOLETE	
20	60-23298/ 70020124148	Ball valve, 1/4"	\$14.33
not shown	74-3310604/ 70020028950	3/8 x 1/4" reducing coupler	\$6.73



AP-RO5500

Item No.	Part Number/ 3M ID	Description	List Price (ea)
1	5608401/ 70020019231	AP5500RM Membrane	\$200.00
2		Cartridges (AP5527) — refer to cartridge section	\$154.07
3	60-90119/ 70020027754	Automatic shut off assembly	\$51.19
4	52-318212/ 70020026434	SFC Tubing	\$16.85
—	56-18125/ 70020170745	Tank (Not Shown)	\$53.43



ALL TUBING

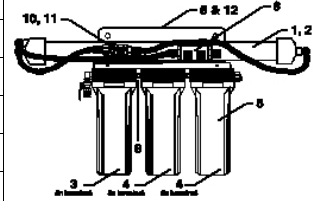
Item No.	Part Number/3M ID	Description	List Price (ea)
—	82-11202/70020030071	1/4" Blue Polyethylene Tubing (per ft.)	\$0.49
—	82-11201/70020030063	1/4" Black Polyethylene Tubing (per ft.)	\$0.59
—	82-11302/70020030121	3/8" Blue Polyethylene Tubing (per ft.)	\$0.88
—	82-1934101/70020030188	3/8" O.D. Black Polyethylene Tubing (per ft.)	\$0.80
—	82-1946101/70020030196	1/2" O.D. Black Polyethylene Tubing (per ft.)	\$1.60

ALL JOHN GUEST® QUICK-CONNECT FITTINGS

Item No.	Part Number/ 3M ID	Description	List Price (ea)
—	74-3350404/ 70020028992	1/4" Stem Adapter	\$1.30

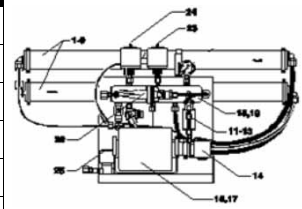
CALP40/80 (All connections & tubing are available in R/O accessories section)

Item No.	Part Number/ 3M ID	Description	List Price (ea)
1	66-4307/ 70020028307	Membrane (CALP40)	Obsolete
2	66-4311/ 70020028331	Membrane (CALP80)	\$666.72
3	5620404/ 70020162759	Cartridge (AP110) — refer to cartridge section	\$36.45
4	5541731/ 70020318526	Cartridge (AP117) — refer to cartridge section	\$85.86
5	45-1111111/ 70020024769	Filter housing 10" x 1/4", blue	\$44.01
6	45-3920133/ 70020024876	Bracket for 10" filter housing	\$17.37
8	52-3165871/ 70020028400	Flow control CALP80	\$117.12
9	74-18504/ 70020028802	Hex Nipple 1/4"	\$3.31
10	60-90119/ 70020027754	Shut-off valve (only) for LP	\$51.19
11	53-9912/ 70020026921	Shut-off valve for LP (inc. fitting & check valve)	Obsolete
12	60-6311121/ 7002027655	Pressure regulator	Obsolete



CAHP UNITS

Item No.	Part Number/ 3M ID	Description	List Price (ea)
2	66-27120/ 70020028042	TFC Module for CAHP300	\$971.71
7	66-1311/ 70020027986	TFC Membrane for CAHP300	\$525.48
12	53-5107/ 70020026848	Flow Control CAHP300	\$117.12
13	53-5109/ 70020026855	Flow Control CAHP600/900/1200	\$117.12
14	89-1210501/ 70020030535	Pump for CAHP150-600	\$337.30
16	89-2302/ 70020030691	Motor for CAHP150-600	\$331.32
17	89-21155/ 70020030675	Motor for CAHP900-CAHP1200	\$412.77
—	61-110/ 70020027887	Air Gap — Gap a flow	Obsolete
18	54-1115/ 70020027028	Manifold CAHP series	\$336.11
19	60-6311123/ 70020027671	Product Relief Valve CAHP series	\$151.35
20	60-633232/ 70020027689	Pressure Control Valve CAHP300-900	\$331.28
21	95-223424/ 70020030931	Pressure gauge for prefilter assy.	Obsolete
23	24-1112/ 70020023803	Low pressure switch	\$199.97
24	24-1117/ 70020023829	Tank pressure switch	Obsolete
26	24-23155/ 70020023894	Switch Float Assy, NMRO (plug type)	Obsolete



* NOTE: These items may not be available for sale in CA & VT.

** NOTE: These items may no longer be available, call customer service for details.

PURWATER Replacements/Accessories

Model Number	Part Number /3M ID		Description	UPC Code	List Price
TFM50EM	TFM50EM/ 70020055797	1	50 gpd	092498003748	\$218.08
H20H-8	H20H-8/ 70020051242	1	N/A	016145024382	\$81.01
CFB-6	CFB-6/ 70020048487	1	Mounting Bracket – FHT-34-S, FHO-34-S, FHT-34SS-S, FHO-34-SS-S, USOM-38-S, UST-38, USO-14-S	016145021701	\$21.19
CFB-7	CFB-7/ 70020048495	1	Mounting Bracket – FHOB2-01-S, FHOB2-15-S	016145021718	\$48.43
CFB-10	CFB-10/ 70020048461	1	Mounting Bracket – FHO2-34-S	016145021688	\$20.00
CFW04	CFW04/ 70020048602	1	Wrench – FHT-34-S, FHO-34-S, FHT-34SS-S, FHO-34SS-S, UST-38-S	092498004004	\$3.84
CFW05	CFW05/ 70020048610	1	Wrench – FHOB2-01-S, FHOB2-15-S	092498003779	\$9.67
CFW06	CFW06/ 70020048628	1	Wrench – FHO2-34-S	092498004011	\$3.85
CFW07	CFW07/ 70020048636	1	Wrench – FHO Series	092498004028	\$3.85
ORG005	ORG005 70020053883	1	O-ring – FHOB2-01-S, FHOB2-15-S	092498003793	\$8.40
ORG006	ORG006/ 70020053891	1	O-ring – FHT-34-S, FHO-34-S	092498003786	\$7.36
ORG008	ORG008/ 70020053917	1	O-ring – USTM-38, UST-38, USO-14	016148026997	\$7.36

Model Number	Part Number	3M ID	UPC	List Price	PC	Page
18706	18706	7002061407	00016145034312	\$19.58 ea	P	33
3/8 Blue	82-11302	70020030121	00016145016738	\$0.88 ft	P	11
5605804	5605804	70020018845	00016145107573	\$1,477.13 ea	P	32
6231637	6231637	70020284454	00016145266690	\$76.76 ea	P	—
6238731	6238731	70020295229	00054007964858	\$66.83 ea	P	33
V3007-02	V3007-02	70020120872	00016145118074	\$30.37 ea	P	33
V3007-06	V3007-06	70020182989	00016145177446	\$19.65 ea	O	33
X9000080	X9000080	70020267699	00016145250316	\$180.25 ea	P	34
5605831	5605831	70020125988	00016145123726	\$159.79 ea	P	32
5605832	5605832	70020125996	00016145123733	\$67.32 ea	P	32
6017535	6017535	TBD	TBD	Contact Factory	P	39
6017536	6017536	TBD	TBD	Contact Factory	P	39
6017537	6017537	TBD	TBD	Contact Factory	P	39
6017538	6017538	TBD	TBD	Contact Factory	P	39
6223601	6223601	70020200922	00016145188725	\$15.04 ea	P	13
6346207	6346207	TBD	TBD	Contact Factory	P	39
6346443	6346443	TBD	TBD	Contact Factory	P	39
6347903	6347903	TBD	TBD	Contact Factory	P	39
82-11203	82-11203	70020030089	00016145016691	\$0.34 ft	P	41
24-1112	24-1112	70020023803	00016145011054	\$199.97 ea	P	44
24-1117	24-1117	70020023829	00016145011078	obsolete ea	P	44
24-23155	24-23155	70020023894	00016145011146	obsolete ea	P	44
34245-32	3424532	70020126119	00016145123177	\$6.41 ea	P	37
34249-32C	3424932C	70020024520	00016145011771	\$4.45 ea	P	41
34737-13C	3473713C	70020024538	00016145011788	\$5.76 ea	P	38
35076-75C	3507675C	70020024546	00016145011795	\$6.18 ea	P	40
36-3090	36-3090	70020024678	00016145011924	\$4.89 ea	P	40
36851-35	3685135	70020014190	00016145006708	\$5.33 ea	P	37, 40, 41
37031-22C	3703122C	70020024694	00016145011948	\$4.02 ea	P	37
37563-35C	3756335C	70020126127	00016145123184	\$623.59 ea	P	39
37872-01C	3787201C	70020091800	00016145052583	\$238.04 ea	P	39, 41
37920-31C	3792031C	70020088194	00016145048982	\$25.62 ea	P	39, 41
3MFF100	5616318	70020249671	00016145233111	\$350.00 ea	F	5
3MFF101	5613432	70020249663	00016145233104	\$275.00 ea	F	5, 8
3M Sulfur Reduction Concentrated Solution	SS0104	70020101013	00016145061141	\$184.34 ea	P	34
45-1111111	45-1111111	70020024769	00016145012013	\$44.01 ea	P	43
45-3920133	45-3920133	70020024876	00016145012129	\$17.37 ea	P	43
50-4011	50-4011	70020243278	N/A	\$26.28 ea	P	38
52-180024	52-180024	70020253772	00016145237140	\$34.86 ea	P	—
52-3165871	52-3165871	70020026400	00016145013027	\$117.12 ea	P	43
52-318212	52-318212	70020026434	00016145013058	\$16.85 ea	P	42
52-551313	52-551313	70020002997	00016145069000	\$24.50 ea	P	40
53-5107	53-5107	70020026848	00016145013454	\$117.12 ea	P	44
53-5109	53-5109	70020026855	00016145013461	\$117.12 ea	P	44
54-1115	54-1115	70020027028	00016145013638	\$336.11 ea	P	44
55480-01C	5548001C	70020027135	00016145013744	\$14.69 ea	P	37
55488-01C	5548801C	70020027143	00016145013751	\$12.73 ea	P	37
55682-01	5568201	70020015320	00016145073786	\$12.95 ea	P	40, 41
55815-34	5581534	70020015742	00016145007194	\$60.62 ea	P	42
55815-35	5581535	70020015759	00016145007200	\$5.76 ea	P	42
55815-37	5581537	70020015775	00016145007224	\$3.93 ea	P	42
55815-41	5581541	70020015809	00016145007255	\$60.62 ea	P	—
55815-45	5581545	70020015833	00016145007286	\$16.89 ea	P	42
55815-46	5581546	70020015841	00016145007293	\$13.58 ea	P	—
55982-107	55982107	70020022490	00016145010095	\$29.43 ea	P	—
5608401	5608401	70020019231	00016145008481	\$200.00 ea	F	6, 8, 42
60-23298	60-23298	70020124148	00016145002304	\$14.33 ea	P	42
60-6311121	60-6311121	70020227655	00016145014260	obsolete ea	P	43
60-6311123	60-6311123	70020027671	00016145014284	\$151.35 ea	P	44
60-633232	60-633232	70020027689	00016145014291	\$331.28 ea	P	—
60-90119	60-90119	70020027754	00016145014369	\$51.19 ea	P	—
60-90411	60-90411	70020027846	00016145014451	\$18.28 ea	P	44
61-110	61-110	70020027887	00016145014482	obsolete ea	P	44
62009-01	6200901	70020020825	00016145008627	\$60.08 ea	P	—
62009-02	6200902	70020020833	00016145008634	\$63.58 ea	P	—
62010-31	6201031	70020020841	00016145008641	\$77.86 ea	P	—
62010-32	6201032	70020020858	00016145008658	\$96.46 ea	P	—
62010-35	6201035	70020020866	00016145008665	\$150.41 ea	P	—
62043-32	6204332	70020021013	00016145008801	\$34.36 ea	P	40
62075-31	6207531	70020021054	00016145008849	\$100.86 ea	P	38
62075-32	6207532	70020021062	00016145008856	\$107.19 ea	P	38

Model Number	Part Number	3M ID	UPC	List Price	PC	Page
62076-32	6207632	70020021070	00016145008863	\$108.48 ea	P	38
62077-31	6207731	70020144245	00016145141065	\$128.73 ea	P	—
62078-31	6207831	70020007343	00016145001956	\$48.37 ea	P	38
62215-44	62215-44	70020303833	00054007971658	\$77.63 ea	P	11
62215-45	62215-45	70020238823	00054007974925	\$62.10 ea	P	11
6223201	6223201	70020273937	00016145256523	\$207.53 ea	P	13
62316-31	6231631	70020252063	00016145235573	\$26.70 ea	T	—
62316-32	6231632	70020252311	00016145235740	\$29.74 ea	T	—
62316-33	6231633	70020252071	00016145235580	\$35.00 ea	T	—
62316-34	6231634	70020252329	00016145235757	\$72.98 ea	T	—
62316-35	6231635	70020252337	00016145235764	\$99.61 ea	T	—
63437-02C	6343702C	70020082940	00016145043765	\$24.82 ea	P	39
63462-02C	6346202C	70020126218	00016145123276	\$211.42 ea	P	39
63464-33C	6346433C	70020126234	00016145123290	\$316.88 ea	P	39
63475-32C	6347532C	70020126242	00016145123306	\$115.46 ea	P	39
63479-01C	6347901C	70020126044	00016145123108	\$255.11 ea	P	39
63562-01C	6356201C	70020027937	00016145014536	\$6.11 ea	P	38
63571-02C	6357102C	70020106558	00016145065392	\$46.91 ea	P	38
63597-205	63597205	70020022532	00016145010156	\$2.43 ea	P	40
63626-04C	6362604C	70020027952	00016145014550	\$211.56 ea	P	38
64462-02C	6446202C	70020027960	00016145014567	\$530.20 ea	P	38
64623-31	6462331	70020021237	00016145008948	\$53.03 ea	P	40
64932-01C	6493201C	70020043124	00016145085970	\$84.29 ea	P	37
65011-01C	6501101C	TBD	N/A	\$345.94 ea	P	39
65011-02C	6501102C	TBD	N/A	\$372.63 ea	P	39
65011-03C	6501103C	TBD	N/A	\$398.37 ea	P	39
65011-04C	6501104C	TBD	N/A	\$428.35 ea	P	39
66-1307	66-1307	70020027978	00016145014574	\$298.40 ea	F	—
66-1311	66-1311	70020027986	00016145014581	\$525.48 ea	F	44
66-13151	66-13151	70020028000	00016145014604	\$762.26 ea	F	—
66-27120	66-27120	70020028042	00016145014642	\$916.71 ea	F	44
66-27225	66-27225	70020028075	00016145014673	\$1,306.48 ea	F	—
66-4307	66-4307	70020028307	00016145014901	obsolete	F	43
66-4311	66-4311	70020028331	00016145014932	\$666.72 ea	F	43
66817-02C	6681702C	70020083674	00016145044496	\$30.07 ea	P	39
66817-10C	6681710C	TBD	N/A	\$49.46 ea	P	39
66817-15	6681715	TBD	N/A	TBD	P	39
67105-01	6710501	70020090786	00016145051562	\$12.26 ea	P	39
68387-32	6838732	70020021385	00016145009068	\$101.85 ea	P	40
68414-11	6841444	70020319169	00016145009105	\$6.07 ea	P	40
68567-02	6856702	70020002740	00016145000966	\$82.11 ea	P	40, 41
68586-31	6858631	70020021567	00016145009211	\$40.62 ea	P	40
68756-01	6875601	70020008028	00016145002144	\$64.53 ea	P	40
68841-31	6884131	70020021708	00016145009341	\$49.23 ea	P	41
68845-31	6884531	70020021724	00016145009365	\$12.37 ea	P	41
68870-33	6887033	70020021799	00016145009426	\$115.80 ea	P	41
68871-01	6887101	70020021807	00016145009433	\$74.58 ea	P	41
68873-31	6887331	70020021823	00016145009457	\$14.38 ea	P	41
68899-32	6889932	70020021914	00016145009549	\$6.85 ea	P	37
68963-31	6896331	70020002765	00016145000980	\$9.75 ea	P	40, 41
68974-32	6897432	70020008044	00016145002168	\$15.46 ea	P	40
69772-01C	6977201C	TBD	N/A	\$116.79 ea	P	41
69773-01	6977301	TBD	N/A	\$1,207.12 ea	P	41
69777-01C	6977701C	TBD	N/A	\$106.96 ea	P	41
69804-34	6980434	70020022235	00016145009846	\$0.42 ea	P	41
69809-31	6980931	70020022243	00016145009853	\$3.15 ea	P	37
69810-31	6981031	70020022250	00016145009860	\$13.39 ea	P	37
69811-31C	6981131C	70020028505	00016145015106	\$58.59 ea	P	37
69811-41	6981141	70020075092	00016145015113	\$179.12 ea	P	37
69812-31	6981231	70020022276	00016145009884	\$5.70 ea	P	37
69814-01C	6981401C	70020028521	00016145015120	\$67.17 ea	P	37
69815-02	6981502	70020022318	00016145009921	\$100.32 ea	P	37
69817-31C	6981731C	70020028539	00016145015137	\$9.68 ea	P	37
69838-31	6983831	70020022334	00016145009945	\$3.13 ea	P	37
69862-02	6986202	70020022359	00016145009969	\$73.33 ea	P	37
6BG-ATB	6221535	70020168939	00016145163524	\$267.92 ea	P	11
6BG-BSS	6221537	70020168954	00016145163548	\$297.65 ea	P	11
6BG-BTN	6221536	70020168947	00016145163531	\$267.92 ea	P	11
6BG-CRM	6221533	70020168913	00016145163500	\$232.94 ea	P	11
6BG-STN	6221534	70020168921	00016145163517	\$267.92 ea	P	11
74-18504	74-18504	70020028802	00016145015403	\$3.31 ea	P	43
74-3110402	74-3110402	70020028810	00016145015410	\$2.86 ea	P	—
74-3110404	74-3110404	70020028828	00016145015427	\$3.01 ea	P	—

Model Number	Part Number	3M ID	UPC	List Price	PC	Page
74-3110604	74-3110604	70020028844	00016145015441	\$5.92 ea	P	—
74-3110606	74-3110606	70020028851	00016145015458	\$6.47 ea	P	—
74-3130604	74-3130604	70020028869	00016145015465	\$6.08 ea	P	—
74-3210402	74-3210402	70020028893	00016145015496	\$7.01 ea	P	—
74-3210404	74-3210404	70020028901	00016145015502	\$7.01 ea	P	—
74-3210604	74-3210604	70020028919	00016145015519	\$7.01 ea	P	—
74-3230404	74-3230404	70020028927	00016145015526	\$4.53 ea	P	—
74-3310404	74-3310404	70020028943	00016145015540	\$4.04 ea	P	—
74-3310604	74-3310604	70020028950	00016145015557	\$6.73 ea	P	42
74-3340806	74-3340806	70020028984	00016145015588	\$7.49 ea	P	—
74-3350404	74-3350404	70020028992	00016145015595	\$1.30 ea	P	43
74-3410404	74-3410404	70020008291	00016145002359	\$5.89 ea	P	—
74-3410606	74-3410606	70020029024	00016145015625	\$7.28 ea	P	—
74-3450404	74-3450404	70020029032	00016145015632	\$8.07 ea	P	—
74-985001	74-985001	70020029214	00016145015816	\$1.51 ea	P	41
82-11201	82-11201	70020030063	00016145016677	\$0.59 ft	P	43
82-11202	82-11202	70020030071	00016145016684	\$0.49 ft	P	43
82-11302	82-11302	70020030121	00016145016738	\$0.88 ft	P	43
82-1934101	82-1934101	70020030188	00016145016790	\$0.80 ea	P	43
82-1946101	82-1946101	70020030196	00016145016806	\$1.60 ea	P	43
85-400201	85-400201	70020030410	00016145017025	\$0.10 ea	P	41
89-1210501	89-1210501	70020030535	00016145017148	\$337.30 ea	P	44
89-21155	89-21155	70020030675	00016145017285	\$412.77 ea	P	44
89-2302	89-2302	70020030691	00016145017308	\$331.32 ea	P	44
95-123427	95-123427	70020030907	00016145017513	\$114.63 ea	P	—
95-223424	95-223424	70020030931	00016145017544	obsolete ea	P	44
99031-04C	9903104C	70020092121	00016145052903	\$58.88 ea	P	39
99031-07C	9903107C	70020159052	00016145153709	\$136.01 ea	P	39
A-050P	A-050P	70020092139	00016145052910	\$80.79 ea	P	34
AA-050MP	AA-050MP	70020047240	00016145020506	\$518.61 ea	P	34
ACC-050P	ACC-050P	70020047265	00092498003038	\$305.00 ea	P	34
AP Easy Complete Cooler	5617934	70020321025	00051128894323	\$190.00 ea	F	7
AP Easy Complete	5617931	70020320993	00051128889152	\$250.00 ea	F	7
AP Easy CS-FF	5631103	70020320159	00051128889268	\$145.00 ea	F	5
AP Easy CS-S	5617932	70020321009	00051128889022	\$200.00 ea	F	7
AP Easy CS-S Cooler	5617935	70020321033	00051128894330	\$140.00 ea	F	—
AP Easy Cyst-FF	5609223	70020109503	00016145102561	\$157.50 ea	F	5
AP Easy LC	5617933	70020321017	00051128889008	\$225.00 ea	F	7
AP Easy LC Cooler	5617936	70020321041	00051128894347	\$165.00 ea	F	7
APSLTANK	APSLTANK	70020101021	00016145020612	\$242.12	P	31
APTK1	APTK1	70020092279	00016145053047	\$1,174.39	P	33
AP017	5528220	70020318559	N/A	\$748.02 blk	F	21
AP1001	5566601	70020126358	00016145123405	\$120.74 2pk	F	17, 20
AP1001	5566602	70020146380	00016145107122	\$1,317.66 blk	F	20
AP1003	5566604	70020126366	00016145064302	\$91.59 2pk	F	17, 20
AP101T	5530002	70020002278	00016145010118	\$196.04 ea	F	14
AP102T	5530008	70020014422	00016145001024	\$269.65 ea	F	14
AP110	5620404	70020162759	00016145157349	\$36.45 2pk	F	10, 14, 16, 17, 19, 43
AP110	5620406	70020162775	00016145157363	\$16.66 blk	F	14, 16, 17, 19
AP110-2	5620405	70020162767	00016145157356	\$32.81 ea	F	14, 16, 19
AP110-2C	5620410	70020182146	00016145176609	\$32.07 ea	F	19
AP110-3	5620409	70020162791	00016145157387	\$49.37 blk	F	19
AP110-3C	5620411	70020182153	00016145176616	\$48.32 ea	F	19
AP117	5541734	70020326768	N/A	\$85.86 2pk	F	—
AP117	5541731	70020318526	N/A	\$85.86 2pk	F	10, 14, 17, 21, 43
AP117	5541733	70020318542	N/A	\$1,429.33 blk	F	17, 21
AP117RO	5577811	70020318641	00016145073946	\$41.41 blk	F	10, 21
AP11T	5529902	70020005834	00016145001116	\$158.17 ea	F	14
AP124	5620601	70020162833	00016145157424	\$42.39 2pk	F	14, 17, 19
AP124	5620605	70020162874	00016145157462	\$19.47 blk	F	14, 17, 19
AP124-2C	5620603	70020162858	00016145157448	\$34.56 ea	F	19
AP124-3	5620604	70020162866	00016145157455	\$47.93 ea	F	19
AP141T	5530016	70020166123	00016145160707	\$259.26 ea	F	14
AP1610SS	5592002	70020017532	00016145603020	\$412.74 ea	F	16
AP200	5528901	70020007418	00016145002007	\$204.92 ea	F	6
AP2005	5588618	70020016922	00016145603426	\$44.94 2pk	F	17, 20
AP2005-2	5588627	70020016971	00016145074387	\$40.82 ea	F	20
AP2150	5529405	70020113877	00016145067037	\$481.77 set	F	—
AP217	5578604	70020318823	00051128888452	\$125.42 2pk	F	6, 8
AP217	5578605	70020318831	00051128888469	\$2,031.79 blk	F	6, 8
AP-250R	5631801	70020319326	51128889305	\$54.59 ea	F	10

Model Number	Part Number	3M ID	UPC	List Price	PC	Page
AP2610SS	5592003	70020114198	00016145603235	\$610.03 ea	F	16
AP317	AP31709	70020319243	00051128889855	\$92.46 blk	F	9
AP317	AP31710	70020319250	51128889862	\$99.96 ea	F	9
AP327	5553637	70020318922	00051128889954	\$51.14 ea	F	9
AP410	5560906	70020319284	00051128888407	\$103.22 2pk	F	10
AP420	5560907	70020319292	00051128888414	\$164.10 2pk	F	14, 17, 21
AP430SS	AP43011	70020319268	00051128889879	\$124.29 ea	F	—
AP431	AP43111	70020319276	51128889886	\$51.05 ea	F	18
AP510	5592209	70020320076	00051128889299	\$265.00 ea	F	5
AP517	AP51711	70020320308	00051128889329	\$116.60 ea	F	5, 8, 9
AP517	AP51712	70020041466	00051128889336	\$103.38 blk	F	5, 8, 9
AP5500RM	5608401	70020019231	00016145008481	\$200.00 ea	F	6, 8, 42
AP5527	5631201	70020320084	00051128889343	\$148.86 set	F	6, 8
AP717	5560222	70020318864	00051128889947	\$46.34 ea	F	7
AP801	5585701	70020007822	00016145607165	\$152.89 ea	F	15
AP801-C	5585716	70020114180	00016145605239	\$187.53 ea	F	15
AP802	5585704	70020002492	00016145802102	\$204.63 ea	F	15
AP810	5618902	70020164177	00016145158766	\$48.04 ea	F	15, 22
AP810-2	5618903	70020162437	00016145157028	\$84.20 ea	F	15, 22
AP811	5618904	70020170547	00016145165108	\$58.08 ea	F	15, 22
AP811-2	5618905	70020176742	00016145171277	\$101.42 ea	F	15, 22
AP814	5599401	70020105329	00016145811418	\$44.14 ea	F	15, 22
AP814-2	5599403	70020105337	00016145814204	\$87.30 ea	F	15, 22
AP817	5602719	70020315159	00054007979715	\$76.80 ea	F	15, 22
AP817-2	5602721	70020315167	00054007979722	\$152.94 ea	F	15, 22
AP902	5621101	70020204353	00016145191930	\$393.48 ea	F	13
AP903	5621102	70020204361	00016145191947	\$468.49 ea	F	13
AP904	5621104	70020284975	0001645266997	\$532.45 ea	F	13
AP910R	5621001	70020204460	00016145192043	\$204.32 ea	F	13, 22
AP917HD	5621006	70020269687	00016145202303	\$279.33 ea	F	13, 22
AP917HD-S	5621008	70020273929	00016145256547	\$343.29 ea	F	13, 22
AP-DW70	5584504	70020016500	00016145603273	\$80.23 ea	F	10
AP-DW80/90	5585102	70020002468	00016145080906	\$198.46 set	F	6
AP-DW85	5584408	70020002450	00016145603525	\$80.16 ea	F	10
AP-DWS1000	5583101	70020007731	00016145100017	\$582.80 ea	F	6
AP-DWS1000 LF	5583103	70020002427	00016145603785	\$522.80 ea	F	6
EP35R	5631616	70020319698	00051128890585	\$186.48 ea	F	8
APHF-RC	5614843	70020020510	00016145607042	\$44.89 ea	F	—
APHOSF-RC	5614842	70020020502	00016145607011	\$54.89 ea	F	—
APIF100	APIF100	70020138734	00016145135873	\$1,652.66 ea	T	—
APIF100DM	APIF100DM	70020303270	00054007971108	\$1,785.20 ea	T	29
APIF100MDM	APIF100MDM	70020303551	00016145173417	\$1,833.47 ea	T	29
APIF100MPT	APIF100MPT	70020231661	00016145213892	\$2,471.51 ea	T	29
APIF100PTDM	APIF100PTDM	70020303577	00054007971382	\$2,574.07 ea	T	29
APIF150	APIF150	70020159714	00016145154355	\$1,822.61 ea	T	—
APIF150DM	APIF150DM	70020303585	00016145154355	\$1,964.75 ea	T	29
APIF150M	APIF150M	70020178920	00016145173424	\$1,892.13 ea	T	—
APIF150MDM	APIF150MDM	70020303593	00054007971412	\$2,021.91 ea	T	29
APIF200	APIF200	70020159722	00016145154362	\$1,987.41 ea	T	—
APIF200DM	APIF200DM	70020303627	00054007971443	\$2,087.81 ea	T	29
APIF300	APIF300	70020159730	00016145154379	\$2,682.66 ea	T	29
APIF200MDM	APIF200MDM	70020303635	00054007971450	\$2,184.31 ea	T	29
APIL3R	5605312	70020018738	00016145333118	\$65.91 ea	F	9
APLPSF-RC	5614841	70020020494	00016145606878	\$44.89 ea	F	—
AP-MB	5551701	70020007525	00016145071621	\$13.02 ea	P	14
AP-MB801	6890131	70020021948	00016145009570	\$31.87 ea	P	15, 37
APMP100	APMP100	70020041391	00016145019265	\$822.56 ea	P	31
APMP100A	APMP100A	70020041409	00016145019272	\$874.39 ea	P	31
APPM100	APPM100	70020231745	00016145213977	\$3,579.25 ea	T	—
APPM100M	APPM100M	70020231752	00016145213984	\$3,625.60 ea	T	—
APPM100MDM	APPM100MDM	70020303676	00054007971498	\$3,708.86 ea	T	—
APPM150	APPM150	70020231760	00016145213991	\$3,749.20 ea	T	—
APPM150DM	APPM150DM	70020303684	00054007971504	\$3,977.42 ea	T	—
APPM150M	APPM150M	70020231778	00016145214004	\$3,818.73 ea	T	—
APPM150MDM	APPM150MDM	70020303692	00054007971511	\$4,049.82 ea	T	—
APPM200	APPM200	70020231786	00016145214011	\$3,914.00 ea	T	—
APPM200DM	APPM200DM	70020303700	00054007971528	\$4,183.75 ea	T	—
APPM200M	APPM200M	70020231794	00016145214028	\$4,006.70 ea	T	—
APPM200MDM	APPM200MDM	70020303767	00054007971580	\$4,293.26 ea	T	—
AP-RO5500	5598201	70020007889	00016145550010	\$699.00 ea	F	6
AP-RO5500 LF	5598203	70020017987	00016145603792	\$624.00 ea	F	6
APRO-ST	56-18125	70020170745	00016145165306	\$53.43 ea	P	6
APS117	APS11706	70020318799	N/A	\$54.13 blk	F	14, 17, 21

Model Number	Part Number	3M ID	UPC	List Price	PC	Page
APSH5-RC	5614844	70020020528	00016145607080	\$44.89 ea	F	—
AP-TEST	5621304	70020197284	00016145185212	FREE ea	P	33
APTK62B	5592131	70020017607	00016145007903	\$793.05 ea	P	33
APUN100-LM	APUN100-LM	70020164391	00016145158971	\$901.79 ea	T	31
APUN101	APUN101	70020092295	00016145053061	\$1,066.05 ea	T	31
APUN200-LM	APUN200-LM	70020164409	00016145158988	\$1,210.25 ea	T	31
APUN201	APUN201	70020092303	00016145053078	\$1,416.74 ea	T	31
APUN301	APUN301	70020047380	00016145020636	\$2,187.72 ea	T	31
APUV Ballast	5605859	70020018951	00016145008306	\$255.22 ea	P	32
APUV O-rings	5605862	70020018985	00016145008337	\$2.80 ea	P	32, 38
APUV Power Cord	5605861	70020018977	00016145008320	\$19.85 ea	P	32
APUV1	5605801	70020018811	00016145107542	\$799.02 ea	T	32
APUV1 Bulb	5605831	70020125988	00016145123726	\$159.79 ea	P	32
APUV1 Sleeve	5605832	70020125996	00016145123733	\$67.32 ea	P	32
APUV12 Bulb	UVLB-1X	70020102128	00016145062117	\$190.91 ea	P	38
APUV12 Sleeve	UVQS-1X	70020102136	00016145062124	\$115.76 ea	P	38
APUV2	5605802	70020018829	00016145107559	\$822.18 ea	T	32
APUV2 Bulb	5605833	70020018878	00016145107603	\$159.79 ea	P	32
APUV2 Sleeve	5605834	70020018886	00016145107610	\$71.38 ea	P	32
APUV24 Circuit Board	5605865	70020019009	00016145008344	\$894.99 ea	P	38
APUV24/65 Ballast	5605860	70020018969	00016145008313	\$802.14 ea	P	38
APUV24/65 Bulb	5605841	70020018936	00016145107665	\$232.30 ea	P	38
APUV24/65 Sleeve	5605842	70020018944	00016145107672	\$141.52 ea	P	38
APUV5	5605803	70020018837	00016145107566	\$982.18 ea	T	32
APUV5 Bulb	5605835	70020018894	00016145107627	\$161.77 ea	P	32
APUV5 Sleeve	5605836	70020018902	00016145107634	\$90.00 ea	P	32
APUV8	5605804	70020018845	00016145107573	\$1,477.13 ea	T	32
APUV8 Blub	5605837	70020018910	00016145107641	\$168.23 ea	P	32
APUV8 Sleeve	5605838	70020018928	00016145107658	\$93.61 ea	P	32
AP-WRNCH	6843432C	70020028430	00016145015038	\$9.20 ea	P	14, 37
ARS-TEST	ARS-TEST	70020119684	00016145117039	\$76.66 ea	P	33
ASB1001	ASB1001	70020111004	00016145066474	\$3,769.80 ea	T	26
ASB2001	ASB2001	70020111012	00016145066481	\$6,411.75 ea	T	26
ASB3001	ASB3001	70020111020	00016145066498	\$9,012.50 ea	T	26
B-050P	B-050P	70020047745	00016145020988	\$76.54 ea	P	—
C-050P	C-050P	70020092758	00092498003601	\$37.67 ea	P	34
CBF100DM	CBF100DM	70020303718	00054007971535	\$1,530.32 ea	T	27
CBF150DM	CBF150DM	70020303726	00054007971542	\$1,707.11 ea	T	27
CBF200DM	CBF200DM	70020303734	00054007971559	\$1,775.90 ea	T	27
CBW1001DM	CBW1001DM	70020303742	0005400797156-6	\$2,234.25 ea	T	27
CBW2001DM	CBW2001DM	70020303775	00016145053627	\$2,479.73 ea	T	27
C-Complete	5618044	70020321140	00051128889121	\$115.00 ea	F	7, 8
C-CS-FF	5632108	70020320191	00051128889275	\$70.00 ea	F	5, 8
C-CS-S	5618045	70020321157	00051128888988	\$65.00 ea	F	7, 8
C-Cyst-FF	5610428	70020109529	00016145607608	\$82.50 ea	F	5, 8
CFB-10	CFB-10	70020048461	00016145021688	\$20.00 ea	P	45
CFB-6	CFB-6	70020048487	00016145021701	\$21.19 ea	P	45
CFB-7	CFB-7	70020048495	00016145021718	\$48.43 ea	P	45
CFW04	CFW04	70020048602	00092498004004	\$3.84 ea	P	45
CFW05	CFW05	70020048610	00092498003779	\$9.67 ea	P	45
CFW06	CFW06	70020048628	00092498004011	\$3.85 ea	P	45
CFW07	CFW07	70020048636	00092498004028	\$3.85 ea	P	45
C-LC	5618046	70020321165	00051128889046	\$90.00 ea	F	7, 8
COUPLER	6899831	70020008051	00016145002175	\$2.23 ea	P	14
CS1001	CS1001	70020093863	00016145054525	\$2,832.50 ea	T	25
CS1501	CS1501	70020093939	00016145054594	\$3,002.45 ea	T	25
CS2001	CS2001	70020093996	00016145054655	\$2,992.15 ea	T	25
CSI-10	CSI-10	70020093434	00016145054105	\$314.99 ea	P	34
CSM1001	CSM1001	70020093624	00016145054297	\$2,914.90 ea	T	25
CSM2001	CSM2001	70020093731	00092498002765	\$4,130.30 ea	T	25
CSX100	CSX100	70020234699	00016145215889	\$3,414.45 ea	T	26
CSX200	CSX200	70020234707	00016145215896	\$3,599.85 ea	T	26
CWS100ME	CWS100ME	70020129121	00092498004776	\$1,884.90 ea	T	24
CWS100MEX	CWS100MEX	70020231844	00016145214073	\$2,188.75 ea	T	24
CWS150ME	CWS150ME	70020129139	00092498004783	\$2,054.85 ea	T	24
CWS200ME	CWS200ME	70020129147	00092498004790	\$2,219.65 ea	T	24
CWS300ME	CWS300ME	70020129154	00092498004806	\$3,362.95 ea	T	24
CWST200ME	CWST200ME	70020182674	00016145177132	\$3,369.28 ea	T	26
CWST300ME	CWST300ME	70020182682	00016145177149	\$4,924.91 ea	T	26
CWSX100ME	CWSX100ME	70020231810	00016145214042	\$2,023.95 ea	T	24
CWSX150ME	CWSX150ME	70020231828	00016145214059	\$2,193.90 ea	T	24
CWSX200ME	CWSX200ME	70020231836	00016145214066	\$2,358.70 ea	T	24
D-050P	D-050P	70020049790	00016145022968	\$527.89 ea	P	34

Model Number	Part Number	3M ID	UPC	List Price	PC	Page
EP15	5631610	70020319623	00051128890561	\$115.82 ea	F	8
EP25	5631611	70020319631	00051128890578	\$156.19 ea	F	8
F-050P	F-050P	70020050210	00016145023385	\$48.59 ea	P	34
FM-050P	FM-050P	70020050517	00016145023682	\$114.64 ea	P	34
FS1	FS1	70020050830	00016145024009	\$273.70 ea	P	33
G-050P	G-050P	70020050897	00092498004851	\$84.07 ea	P	34
GRMB01PP10UB	GRMB01PP10UB	70020249853	00016145233333	\$6.16 ea	F	20
GRMB01PP20UB	GRMB01PP20UB	70020249861	00016145233340	\$11.38 ea	F	20
GRMB01PP30UB	GRMB01PP30UB	70020249721	00016145233203	\$16.60 ea	F	20
GRMB05PP10UB	GRMB05PP10UB	70020249879	00016145233357	\$6.05 ea	F	20
GRMB05PP20UB	GRMB05PP20UB	70020249887	00016145233364	\$11.18 ea	F	20
GRMB05PP30UB	GRMB05PP30UB	70020249895	00016145233371	\$16.30 ea	F	20
GRMB10PP10UB	GRMB10PP10UB	70020249903	00016145233388	\$5.94 ea	F	20
GRMB10PP20UB	GRMB10PP20UB	70020249911	00016145233395	\$10.97 ea	F	20
GRMB10PP30UB	GRMB10PP30UB	70020249929	00016145233401	\$16.01 ea	F	20
GRMB20PP10UB	GRMB20PP10UB	70020249937	00016145233418	\$5.83 ea	F	20
GRMB20PP20UB	GRMB20PP20UB	70020249945	00016145233425	\$10.77 ea	F	20
GRMB20PP30UB	GRMB20PP30UB	70020249952	00016145233432	\$15.71 ea	F	20
GRMB50PP10UB	GRMB50PP10UB	70020249960	00016145233449	\$5.67 ea	F	20
GRMB50PP20UB	GRMB50PP20UB	70020249978	00016145233456	\$10.46 ea	F	20
GRMB50PP30UB	GRMB50PP30UB	70020249986	00016145233463	\$15.26 ea	F	20
H-050P	H-050P	70020095439	00016145056031	\$111.36 ea	P	34
H20H-8	H20H-8	70020051242	00016145024382	\$81.01 ea	F	47
HC10	HC10	70020050970	00016145024115	\$93.81 ea	P	33
IL-IM-01	5617202	70020109560	00016145066160	\$32.62 ea	F	7
IRAR1	AR1	70020047422	00016145020674	\$125.43 ea	P	—
MC-050MP	MC-050MP	70020051929	00016145025037	\$59.48 ea	P	34
MC-050P	MC-050P	70020097054	00016145057564	\$52.80 ea	P	34
MCA1001	MCA1001	70020097195	00016145057687	\$2,240.25 ea	T	30
MCA1001J	MCA1001J	70020097278	00016145057762	\$2,276.30 ea	T	—
MCA1001M	MCA1001M	70020097302	00016145057793	\$2,348.40 ea	T	—
MCA1001MJ	MCA1001MJ	70020261163	00016145244216	\$2,384.45 ea	T	—
MCA1501	MCA1501	70020097401	00016145057892	\$2,410.20 ea	T	—
MCA2001	MCA2001	70020097476	00016145057960	\$2,425.65 ea	T	30
MCA2001M	MCA2001M	70020097559	00016145058042	\$2,533.80 ea	T	—
ML-050P	ML-050P	70020052018	00092498003649	\$72.77 ea	P	34
N-050P	N-050P	70020097955	00092498003625	\$62.23 ea	P	34
NWS100	5564002	70020006006	00016145118661	\$1,997.17 ea	T	25
NWS100M	5564006	70020006014	00016145060137	\$2,240.25 ea	T	25
NWS150	5564003	70020103233	00016145214080	\$2,203.17 ea	T	25
NWS150M	5564007	70020103266	00016145060175	\$2,446.25 ea	T	25
NWS200	5564004	70020103241	00016145214097	\$2,409.17 ea	T	25
NWS200M	5564008	70020103274	00016145060182	\$2,652.25 ea	T	25
ORG006	ORG006	70020053891	00092498003786	\$7.36 ea	P	47
ORG008	ORG008	70020053917	00016148026997	\$7.36 ea	P	47
O-RING	63597174C	70020008242	00016145106866	\$5.50 ea	P	14, 37
O-RING	6889832	70020021906	00016145009532	\$3.55 ea	P	15, 37
PH35	PH35	70020100437	00092498004073	\$93.89 ea	P	34
PHPLUS	PHPLUS	70020100411	00092498003724	\$160.68 ea	P	34
QC-12P	QC-12P	70020100833	00016145061042	\$33.31 ea	P	34
QC-15P	QC-15P	70020141266	00016145138355	\$33.85 ea	P	34
QC-18P	QC-18P	70020100841	00016145061059	\$34.40 ea	P	34
QC-20P	QC-20P	70020100858	00092498004066	\$34.94 ea	P	34
QC-25P	QC-25P	70020100866	00016145061066	\$35.75 ea	P	34
QC-35P	QC-35P	70020054881	00016145027840	\$37.67 ea	P	34
QC-50P	QC-50P	70020100874	00092498003755	\$38.03 ea	P	34
QF-20	QF-20	70020054956	00016145027918	\$54.59 ea	P	34
QF-50P	QF-50P	70020054964	00016145027925	\$38.03 ea	P	34
QFS-50P	QFS-50P	70020055029	00016145027987	\$60.05 ea	P	34
QXC-50P	QXC-50P	70020055136	00016145028090	\$46.41 ea	P	34
RM-TFC	5557102	70020014836	00016145604164	\$353.64 ea	F	42
SS12 EPE-316L	4808715	70020205681	00016145193255	\$3,311.28 ea	F	17
SS20 EPE-316L	4808816	70020205905	00016145193477	\$3,635.92 ea	F	17
SS24 EPE-316L	4808907	70020206044	00016145193613	\$8,413.47 ea	F	17
SS36 EPE-316L	4808908	70020206051	00016145193620	\$9,279.16 ea	F	17
SS4 EPE-316L	4808713	70020205673	00016145193248	\$2,840.56 ea	F	17
SS48 EPE-316L	4808909	70020206069	00016145193637	\$10,361.29 ea	F	17
SS8 EPE-316L	4808714	70020204775	00016145192357	\$3,073.21 ea	F	17
SST1	5527104	70020014323	00016145604072	\$343.51 ea	F	16
SST1HA	5592001	70020017524	00016145601248	\$402.52 ea	F	16
SST2HB	5592010	70020017573	00016145603037	\$620.70 ea	F	16
STRAP WRENCH	6890034	70020109685	00016145606229	\$14.56 ea	P	15
SX-050P	SX-050P	70020286137	00016145268113	\$68.24 ea	P	34

Model Number	Part Number	3M ID	UPC	List Price	PC	Page
T40BK-10	T40BK-10	70020056456	00016145029387	\$20.23 ea	P	—
T40BK-12	T40BK-12	70020056464	00016145029394	\$20.76 ea	P	—
T40BK-14	T40BK-14	70020056472	00016145029400	\$20.76 ea	P	—
T40BK-8	T40BK-8	70020056498	00016145029424	\$20.23 ea	P	—
TFM50EM	TFM50EM	70020055797	00092498003748	\$218.08 ea	F	45
TO-10B	TO-10B	70020120666	00016145117862	\$1,377.58 ea	P	34
UVBA-1X	UVBA-1X	70020102110	00016145062100	\$128.85 ea	P	38
UVCTL-1X	UVCTL-1X	70020056803	00016145029721	\$833.26 ea	P	38
UVLB-1X	UVLB-1X	70020102128	00016145062117	\$190.91 ea	P	38
UVQS-1X	UVQS-1X	70020102136	00016145062124	\$115.76 ea	P	38
UVSOL-1X	UVSOL-1X	70020056845	00016145029769	\$83.36 ea	P	38
V3007-03LF	V3007-03LF	70020268853	00016145251481	\$36.20 ea	P	33
V3007-04	V3007-04	70020138700	00016145135842	\$21.91 ea	P	33
Water Cover	V3175WC-A	70020159540	00016145154188	\$43.93 ea	P	33
WRENCH	6890033	70020021930	00016145009563	\$10.91 ea	P	15, 37

Part Number Change Reference Table

Model Number	Old Part Number	Old 3M ID	Old UPC	New Part Number	New 3M ID	New UPC
AP Easy Complete Cooler	5617907	70020144088	00016145140907	5617934	70020321025	00051128894323
AP Easy Complete	5617904	70020109586	00016145102608	5617931	70020320993	00051128889152
AP Easy CS-FF	5609222	70020109495	00016145102554	5631103	70020320159	00051128889268
AP Easy CS-S	5617905	70020109594	00016145102615	5617932	70020321009	00051128889022
AP Easy CS-S Cooler	5617908	70020144096	00016145140914	5617935	70020321033	000511288894330
AP Easy LC	5617906	70020109602	00016145102622	5617933	70020321017	00051128889008
AP Easy LC Cooler	5617909	70020118843	00016145115851	5617936	70020321041	000511288894347
AP017	5552807	70020146364	00016145106705	5552820	70020318559	N/A
AP117	5541706	70020007467	00016145106644	5541734	70020326768	N/A
AP117	5541705	70020107010	00016145117008	5541731	70020318526	N/A
AP117	5541714	70020146323	00016145006784	5541733	70020318542	N/A
AP217	4629002	70020014273	00016145217005	5578604	70020318823	00051128888452
AP217	4629005	70020146240	00016145106576	5578605	70020318831	00051128888469
AP-250R	5598005	70020017938	00016145073526	5631801	70020319326	51128889305
AP317	AP31701	70020041425	00016145085383	AP31709	70020319243	00051128889855
AP317	AP31703	70020041433	00016145604850	AP31710	70020319250	51128889862
AP327	5553622	70020007558	00016145327018	5553637	70020318922	00051128889954
AP410	5527402	70020014356	00016145410123	5560906	70020319284	00051128888407
AP420	5527407	70020002252	00016145601095	5560907	70020319292	00051128888414
AP430SS	AP43010	70020003060	00016145004308	AP43011	70020319268	00051128889879
AP431	AP43110	70020003078	00016145431005	AP43111	70020319276	51128889886
AP510	5592202	70020017615	00016145510007	5592209	70020320076	00051128889299
AP517	AP51701	70020041458	00016145517006	AP51711	70020320308	00051128889329
AP517	AP51706	70020041466	00016145517013	AP51712	70020320316	00051128889336
AP5527	5598101	70020017946	00016145107450	5631201	70020320084	00051128889343
AP717	5551312	70020007509	00016145717017	5560222	70020318864	00051128889947
AP817	5602701	70020169648	00016145164200	5602719	70020315159	00054007979715
AP817-2	5602707	70020169671	00016145164231	5602721	70020315167	00054007979722
EP35R	5592428	70020220797	00016145207082	5631616	70020319698	00051128890585
APS117	APS11701	70020003086	00016145106514	APS11706	70020318799	N/A
C-Complete	5618007	70020109610	00016145102639	5618044	70020321140	00051128889121
C-CS-FF	5610427	70020109511	00016145607592	5632108	70020320191	00051128889275
C-CS-S	5618009	70020109628	00016145102646	5618045	70020321157	00051128889988
C-LC	5618011	70020109636	00016145066177	5618046	70020321165	00051128889046
EP15	5592402	70020017706	00016145604461	5631610	70020319623	00051128890561
EP25	5592403	70020017714	00016145604478	5631611	70020319631	00051128890578

SALES POLICIES

(Subject to change without notice)

Freight Policy

3M Purification Inc.'s delivery terms are ExWorks 3M Purification Inc.'s plant. Unless otherwise instructed, shipments will be made via ground service, with transportation charges prepaid by 3M Purification Inc. and added to Buyer's invoice.

Transportation charges for air freight shipments are the responsibility of the Buyer.

Orders for filtration products, residential water treatment products, replacement parts, and/or media may qualify for free freight allowed (FFA) under the following conditions:

1. Order must ship to a single address, with a single requested ship date.
2. All orders must be in case lot quantities.
3. Net Order Value of \$5,000 or more qualifies for FFA.
 - Each individual order is evaluated on its' own merit
4. Net Order Value of less than \$5,000 does not qualify for FFA. However, each order is then evaluated by product category based on the following criteria to determine if that portion of the order qualifies for FFA:
 - Filtration products/replacement parts: Orders of \$500 net order value or more
 - Residential water treatment products: Orders of 3 units or more or \$5,000 net order value
 - Water treatment media: Orders of less than \$5,000 do not qualify for FFA. In FFA qualifying orders that contain backwashing filter systems, the media required to load those systems will be included under FFA.
5. Commercial/Industrial water treatment products are not eligible for FFA and are excluded from net order values when determining FFA.

Minimum Order Value Policy

1. All orders must be in case lot quantities.
2. Minimum net order value is \$500.
3. Net order values below \$500 are subject to an automatic 20% surcharge. Replacement parts are excluded from the \$500 minimum net order value.

Expedited Order Request Policy

An expedited order is defined as any order that is requested to ship the same day or the next business day that the order is received by 3M Purification Inc. Customer Service.

All expedited order requests are subject to item availability in the 3M Purification Inc. Finished Goods warehouse.

All expedited order requests should be clearly marked as such, including the requested ship date and desired transportation method, i.e. Next day, 2nd Day, 3rd Day. Ground service is not an available option on any expedited order.

Transportation charges for ALL expedited order shipments are the responsibility of the Buyer.

Expedited order requests MUST be received by 3M Purification Inc. Customer Service no later than 1:00 PM Eastern Time in order to be considered for Same Day or Next Business Day shipping.

Order Revision Policy

An order revision request is defined as any product or quantity of

product being added to or deleted from the original order received by 3M Purification Inc. Customer Service.

All order revision requests must be received by 3M Purification Inc. Customer Service within 24 hours of receipt of the original order by 3M Purification Inc. Customer Service. 3M Purification Inc.'s ability to accommodate the order revision request is subject to the current status of the original order. If 3M Purification Inc. is unable to accommodate the revision request, the revision request will be treated as an entirely new order subject to all 3M Purification Inc. standard order policies.

All order revision requests should be clearly marked or identified as such in communication.

New/Unused Product Return Policy

Returned goods must be currently offered product, less than six months from original sale date, in full case quantity, new and unused, in original undamaged shipping packaging, free from the Buyer's price markings and company labeling. A 25% restocking fee will be applied. Returns will be inspected and, if valid, credited at original net invoice price less restock fee. If original net invoice price cannot be verified, credit will be issued at current net price less 10% and restock fee.

Minimum value for any return goods request is \$125.

No product may be returned without 3M Purification Inc.'s prior written approval on a standard 3M Purification Return Goods Authorization (RGA) document. All requests to return goods must include:

1. Original customer PO number, 3M Purification Inc. Sales Order Number, or 3M Purification Inc. Invoice number in order to verify purchase date and price
2. Serial numbers for serialized products or date code for date coded products
3. Part number and quantity to be returned
4. Reason for return

Upon approval by 3M Purification Inc., an RGA number will be issued by 3M Purification Inc. Customer Service. The RGA number must be clearly marked on all cartons/packages returned, and a copy of the RGA document must be included with the shipment. Transportation charges for product returned to 3M Purification Inc. are to be prepaid by the Buyer.

Product returned without an RGA will not be credited. In this case, the Buyer must request an RGA for these products through 3M Purification Inc. Manufacturer's Sales Representative, or at the Buyer's request, the product can be returned to the Buyer freight collect.

Warranty Return Policy

No product may be returned without 3M Purification Inc.'s prior written approval on a standard 3M Purification Inc. Return Goods Authorization (RGA) document. All requests to return goods must include:

1. Original customer PO number, 3M Purification Inc. Sales Order Number, or 3M Purification Inc. Invoice number in order to verify purchase date and price
2. Serial numbers for serialized products or date code for date coded products
3. Part number and quantity to be returned
4. Reason for return

Upon approval by 3M Purification Inc., an RGA number will be issued by 3M Purification Inc. Customer Service. The RGA number must be clearly marked on all cartons/packages returned, and a copy of the RGA document must be included with the shipment. Transportation

SALES POLICIES

(continued)

charges for product returned to 3M Purification Inc. are to be prepaid by the Buyer.

Product returned without an RGA will not be credited. In this case, the Buyer must request an RGA for these products through 3M Purification Inc. or Manufacturer's Sales Representative, or at the Buyer's request, the product can be returned to the Buyer freight collect.

Shipping Damage Claims Policy

3M Purification Inc.'s delivery terms are FOB ExWorks 3M Purification

Inc.'s plant. Delivery to a common carrier shall constitute delivery to the Buyer and all risk of loss or damage in transit shall be borne by the Buyer. All shipping damage claims, whether damage is concealed or not, are the responsibility of the Buyer. Any carton damage or shortages should be noted on the bill of lading at the time of receipt. If concealed damage or loss is noted after carrier departure, the Buyer should contact carrier immediately.

TERMS & CONDITIONS

These Terms and Conditions shall govern each product sales transaction between 3M Purification Inc. and its affiliates ("3M PI") and Buyer. Any inconsistent terms of Buyer, wherever set forth and whether oral or written, shall not be binding upon 3M PI unless agreed to by 3M PI in writing. No waiver of these Terms and Conditions or any special terms relating to this order shall be binding upon 3M PI unless agreed to in writing by 3M PI.

- 1. QUOTATIONS.** Quotations submitted by 3M PI are good for acceptance only within thirty (30) days from date of quotation unless otherwise specified. Prices quoted do not include any sales, use, excise, value added, or other similar tax. Delivery lead times contained within quotations shall be effective from the date of receipt by 3M PI of all necessary engineering and manufacturing information including approved drawings if requested by Buyer.
- 2. ACCEPTANCE.** All orders are subject to 3M PI's approval and acceptance. A written acknowledgment sent to Buyer of orders so approved shall constitute 3M PI's acceptance. 3M PI may at any time alter or suspend credit, refuse shipment, or cancel unfulfilled orders when, in 3M PI's opinion, the financial conditions of Buyer or the status of Buyer's account warrants it, or when delivery is delayed by fault of Buyer or Buyer's delinquency in payment. No order accepted by 3M PI will be subject to cancellation, termination, suspension, change, reduction, cutback or any modifications by Buyer except with 3M PI's prior written consent, which may be subject to fees as 3M PI determines.
- 3. CANCELLATION.** Orders may be canceled or deliveries deferred by Buyer only upon the condition that the Buyer assumes immediate liability for and makes prompt payment to 3M PI of all expenses incurred, charges for commitments made by 3M PI, profit on work in process, and contract value of items completed and ready for shipment.
- 4. DELIVERY.** 3M PI's delivery terms are ExWorks 3M PI's plant. Shipment schedules are approximate only and are as accurate as present conditions permit. 3M PI assumes no responsibility or liability for failure or delay in making delivery or otherwise performing hereunder when such failure or delay is due to any cause beyond its control and without its fault or negligence. If for any reason 3M PI's supply of items ordered hereunder is caused to be limited, 3M PI shall have the right to prorate the supply in such manner as 3M PI in its discretion shall determine. Delivery to a common carrier shall constitute delivery to Buyer and all risk of loss or damage in transit shall be borne by Buyer. If because of Buyer's inability to take delivery, the materials or equipment are not shipped, 3M PI may have them stored for Buyer at Buyer's expense, risk and account, and for all other purposes they shall be considered "shipped." 3M PI may make partial deliveries which Buyer shall accept and pay for at the prices quoted by 3M PI in writing. If any part of the order is not delivered by 3M PI or is not in accordance with the order, the remainder of the order and Buyer's obligation thereunder shall not be affected.
- 5. PACKAGING.** All items sold hereunder shall be packed or crated and shipped in accordance with 3M PI's best judgment. Any special packing, crating, or shipping instructions of Buyer must be noted on Buyer's original order and acknowledged by 3M PI.
- 6. INSPECTION.** Buyer shall inspect all items upon arrival and give written notice to 3M PI within ten (10) days of arrival of any claim for shortage or nonconformance with these terms. Failure to give such notice, BUYER waives all claims for such shortage or nonconformance, and Buyer shall be bound to accept and pay for all items in accordance with these terms.
- 7. RETURNS.** No product may be returned without 3M PI's prior written approval. Transportation charges are to be prepaid by Buyer. When expressly authorized by 3M PI in writing, unused non-defective products in unopened packaging may be returned to 3M PI subject to a service handling and restocking charge.
- 8. PAYMENT TERMS.** Payment terms shall be net thirty (30) days from date of invoice, unless otherwise expressly agreed in writing by 3M PI. Late charges of the lesser of one and one-half percent (1½%) per month or the maximum amount allowed by law will be assessed on invoices after the due date.
- 9. CREDITS.** If any credit amount is not used, 3M PI reserves the right to offset it against the oldest outstanding items on the account. Credits are subject to unclaimed property laws. After 3M PI applies the credit to your oldest outstanding items, if a credit balance remains on your account, the credit will be reported and paid to your state, as required by the laws of your state, and will no longer be available for use on your 3M PI account.
- 10. TAXES.** Buyer shall pay all sales, use, excise, value added or other similar taxes that may levied, assessed or otherwise become due on account of items to be delivered hereunder, unless proof of exemption is furnished to 3M PI.
- 11. REPAIRS, ALTERATIONS AND MODIFICATIONS.** If Buyer requests that 3M PI repair any 3M PI product not covered by the warranty provided in Section 12 below, such repair charges shall be at the Buyer's expense unless specifically authorized in writing by 3M PI. Any alterations or modifications to the 3M PI product by Buyer or Buyer's agents are not permitted without specific authorization in writing by 3M PI and will void the warranty and render the products non-returnable by Buyer.
- 12. WARRANTY.** 3M PI warrants that 3M PI products will conform to those written specifications set forth in 3M PI's product literature and/or on 3M PI packaging and labeling materials for

TERMS & CONDITIONS

(continued)

such products for the time period specified in such literature and materials; provided, however, that products are used in accordance with written instructions furnished by 3M PI. 3M PI shall have no obligation under this warranty with respect to 3M PI products that have been incorrectly installed, improperly maintained, or modified or damaged through misuse, abuse, accident, neglect, or mishandling by Buyer or third parties. 3M PI'S sole liability and Buyer's sole remedy under this warranty shall be, at 3M PI's sole option, for 3M PI to either repair or replace any product which, having been returned to the factory, transportation charges prepaid, has been inspected and determined by 3M PI to be defective, or to refund the purchase price paid by Buyer for such defective product. All warranty claims must be made in writing to 3M PI prior to the end of the applicable warranty time period. **THE ABOVE WARRANTY IS IN LIEU OF ANY OTHER WARRANTY, AND ALL OTHER WARRANTIES ARE HEREBY DISCLAIMED, WHETHER EXPRESSED OR IMPLIED, INCLUDING BUT NOT LIMITED TO ANY IMPLIED WARRANTY OF MERCHANTABILITY OR FITNESS FOR A PARTICULAR PURPOSE, OR ANY IMPLIED WARRANTY ARISING FROM A COURSE OF DEALING OR PERFORMANCE OR USAGE OF TRADE.**

13. **LIMITATION OF LIABILITY.** Under no circumstances shall 3M PI be liable to Buyer or any third party for any indirect, special, incidental or consequential damages, including but not limited to loss of profits, business, or revenue, arising out of or as a result of 3M PI's provision of products hereunder, including but not limited to product defects or product failure, even if 3M PI has been advised of the possibility of such damages. 3M PI's liability for direct damages will in no event exceed the price paid by the Buyer for the 3M PI product(s) giving rise to Buyer's claim for damages.
14. **TRADEMARKS.** Buyer acknowledges and agrees that "CUNO" and "3M" and any other trademarks of 3M Company ("3M Marks") and associated goodwill are 3M's exclusive property. By selling products to Buyer, 3M PI and 3M do not grant Buyer any right to use 3M Marks in connection with the resale of the products unless expressly permitted in writing by 3M. Buyer will not, at any time, contest the validity of any 3M Mark, claim any rights in any 3M Mark or do anything which, in 3M's opinion, might disparage, confuse or lessen the significance of any 3M Mark.
15. **BUYER WARRANTIES.** If Buyer makes any express or implied warranties regarding 3M PI products (or regarding Buyer products into which 3M PI products are incorporated) that differ from the warranties offered by 3M PI as set forth in Section 12 above, Buyer shall assume full responsibility for and indemnify, defend, and

hold harmless 3M PI, and 3M PI's affiliates, successors, assigns, officers, directors, employees and agents from any liability, loss, damage, claim, lien, judgment, and cost, including but not limited to reasonable attorneys' fees and other litigation expenses, related to any such warranties and/or remedies offered by Buyer.

16. **INDEMNIFICATION.** Buyer indemnifies 3M PI, its affiliates, and their employees and agents (the "Indemnified Parties") for, and will defend them against, any claim, personal injury, sickness, death, liability, loss, damage, lien, judgment, and cost, including reasonable attorneys' fees and other litigation expenses (collectively referred to as "Loss") in any way related to (a) any alleged express or implied warranty by Buyer or any party to whom Buyer sells, gives or otherwise transfers Products or a product of Buyer's into which Products are incorporated that differs from 3M PI's published warranties and (b) any claim related to the use, packaging, labeling, handling, testing, marketing or sale of Products or a product of Buyer's into which Products are incorporated, except where Products are shown not to meet the then-current published specification.
17. **GENERAL.** (a) Buyer will not sell, or knowingly allow a customer to transfer, any items furnished hereunder outside the 48 contiguous United States unless (i) Buyer first notifies 3M PI in writing of the intention to so export, (ii) Buyer receives prior written approval from the authorized representative of 3M PI's International Business Development unit, and (iii) all applicable export regulations are complied with by Buyer and its customer and all applicable licenses are obtained. Buyer will offer nothing of value to any government official on behalf of 3M PI. (b) 3M PI is not responsible for typographical errors made in any of its publications or for clerical errors made in preparation of quotations, sales orders, or acknowledgments. All such errors are subject to correction by 3M PI. (c) These Terms and Conditions shall be governed by the laws of the State of Connecticut, USA. without regard to Connecticut's conflicts of law provisions. Buyer submits to the exclusive personal and subject matter jurisdiction of the Connecticut courts to resolve any disputes arising hereunder. (d) These Terms and Conditions, along with 3M PI's quotation or proposal, contain the parties' entire understanding on this subject, superseding any prior written or oral agreements, statements, communications or understandings between the parties relating to this subject matter, except that any confidential nondisclosure agreement that has been executed by and between the parties shall remain in effect in accordance with its terms.

NOTES

NOTES

NOTES

NOTES

Thank you for your continued support of 3M Purification Inc. as we remain committed to providing the highest quality products and services to you, our customers. We look forward to continuing to support your needs throughout 2015 and beyond.

3M

2014 Drinking Water Lead Reduction Act

To whom it may concern:

On January 4, 2014, the Reduction of Lead in Drinking Water Act went into effect. This means that all manufacturers, distributors, builders, and plumbing contractors must comply with the new law which affects all potable plumbing products sold or installed in the United States. It requires that all pipes, fittings, and fixtures intended to convey water for human consumption through drinking or cooking, that is sold, available for sales or used in specified repair or new installations, must have a weighted average lead content less than or equal to .25% based on the average of their wetted surface areas.

As a valued customer, 3M Purification Inc wanted to assure you that we are aware of this law and have been proactively working with WQA on NSF/ANSI 372 Drinking Water System Components – Lead Content. To date over 1,600 products have been listed to this standard.

For a complete list of certified products please reference wqa.org and search for low lead compliance products.

Should you have any specific questions on parts you do not see, or have additional questions regarding compliance, please contact Donna Prete, Regulatory Affairs Manager at 203-238-8965, or by email at dmprete@mmm.com

Don't forget to check out the benefits of the 3M Aqua-Pure Certification Program

www.aquapure.com/justaddwater



3M Purification Inc.

400 Research Parkway
Meriden, CT 06450, U.S.A.

Tel (800) 222-7880

(203) 237-5541

Fax (203) 238-8701

www.aquapure.com • www.3Mpurification.com

Please recycle. Printed in U.S.A.

3M and Aqua-Pure are trademarks of 3M Company.

NSF is a trademark of NSF International.

All other trademarks are the property of their respective owners.

© 2015 3M Company. All rights reserved.

70020192525 REV 0115