

**THIS SPACE FOR DESIGNER/ENGINEER APPROVAL**

Job/Customer _____	Date _____	Contractor _____
Model Specified _____	Qty _____	Approved By _____
Designer/Engineer _____	Date _____	Contractor's PO# _____
Submitted by _____	Date _____	Other _____

# 5044 Series

**Isolator® E-X-P™**

**Tankless Water Heater Service Valve Kit**

**Hot & Cold Set of Full Port Forged Brass Ball Valves**

**w/ Hi-Flow Hose Drains & Pressure Relief Valve Outlet**

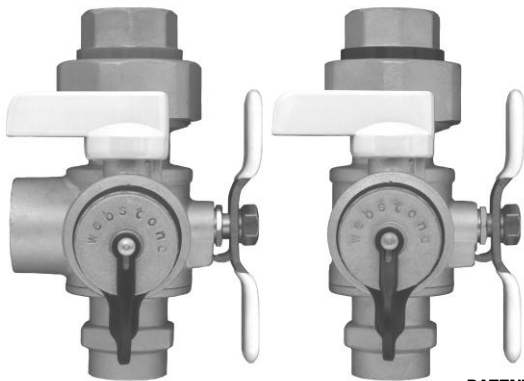
**IPS Union x SWT**

**600 WOG**

**ISO 9001**



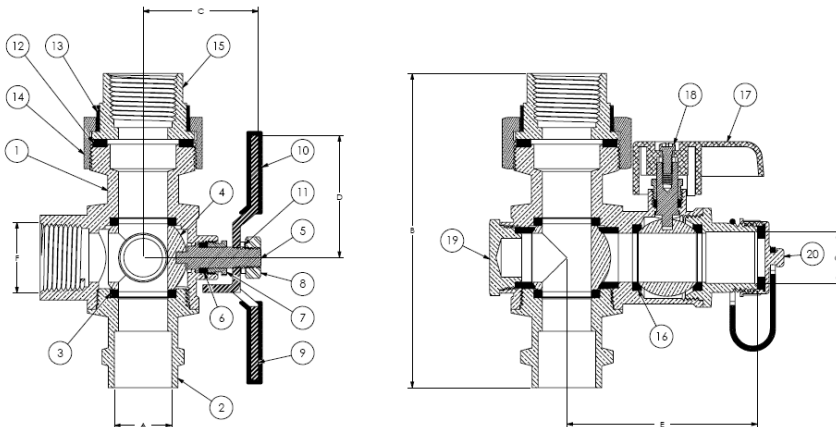
ITEM #	SIZE	CTN	CASE	A	B	C	D	E	F	G
50443	3/4"	1	8	3/4	4 15/16	1 1/2	1 13/16	2 7/8	3/4	3/4
<b>RESIDENTIAL PRESSURE RELIEF VALVE (150 PSI/200,000 BTU)</b>										
50443PR	3/4"	1	8	3/4	4 15/16	1 1/2	1 13/16	2 7/8	3/4	3/4
<b>COMMERCIAL PRESSURE RELIEF VALVE (150 PSI/2,703,000 BTU) &amp; 3/4" CLOSE NIPPLE</b>										
50443PR2	3/4"	1	6	3/4	4 15/16	1 1/2	1 13/16	2 7/8	3/4	3/4



**PATENTED TECHNOLOGY**

NO.	DESCRIPTION	MATERIAL
1	BODY	BRASS
2	END CAP	BRASS
3	SEAT	PTFE
4	BALL	BRASS HCP
5	STEM	BRASS
6	STEM SEAL	PTFE
7	PACKING GLAND	BRASS
8	HANDLE NUT	STAINLESS STEEL
9	WING STYLE "T" HANDLE	STAINLESS STEEL
10	HANDLE JACKET	VINYL
11	LOCK WASHER	STAINLESS STEEL
12	UNION WASHER	EPDM
13	COLORLED INSULATOR RING	ABS
14	UNION NUT	BRASS
15	UNION FITTING	BRASS
16	RETAINING SEATS	PTFE
17	DRAIN VALVE HANDLE	ENAMEL COATED ALUMINUM
18	DRAIN VALVE HANDLE SCREW	BRASS
19	RETAINING NUT	BRASS
20	CAP & STRAP	BRASS W/ EPDM HOSE WASHER & STRAP

TEMP °F	PSI
100	600
150	485
180	431



Included w/ 5044PR	Included w/ 5044PR2
<p><b>Residential Pressure Relief Valve</b> (150 PSI / 200,000 btu)</p>	<p><b>Commercial Pressure Relief Valve</b> (150 PSI / 2,703,000 btu) &amp; 3/4" Close Nipple</p>

**Specifications:** Designed for residential or commercial use with potable water. This approved Webstone valve features an adjustable packing gland. Solder joint temperature ratings are per ASME B16.18 Annex A for 95-5 solder. Other solder materials have lower pressure/temperature limits. Do not silver braze or over heat valves when soldering.



Quality and Commitment Since 1954

www.webstonevalves.com · P: (800) 225-9529 · F: (800) 336-5133

Webstone product specifications in U.S. customary units are approximate and are provided for reference only. Webstone reserves the right to change or modify product design, construction, specifications or materials without prior notice and without incurring any obligation to make such changes and modifications on Webstone products previously or subsequently sold.

5044spec\_062112