

**THIS SPACE FOR DESIGNER/ENGINEER APPROVAL**

Job/Customer _____	Date _____	Contractor _____
Model Specified _____	Qty _____	Approved By _____
Designer/Engineer _____	Date _____	Contractor's PO# _____
Submitted by _____	Date _____	Other _____

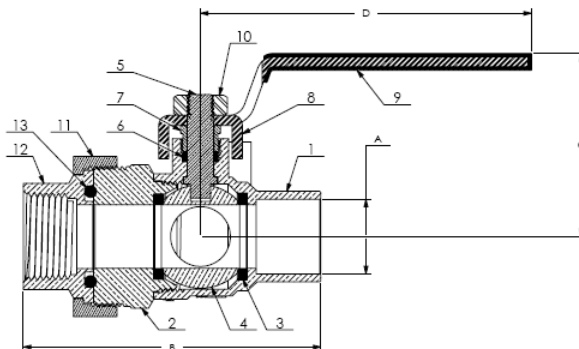
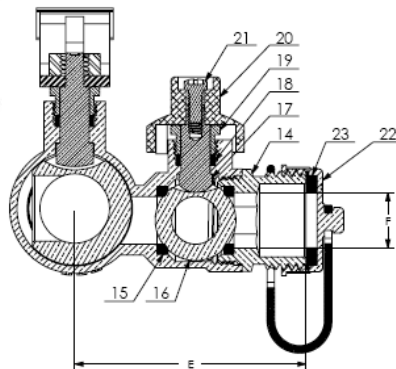
**5043 Series**  
**Full Port Forged Brass Ball Valves**  
**w/ Hi-Flow Hose Drain**  
**& Reversible Handle**  
**IPS Union x SWT**  
**600 WOG**  
**ISO 9001**



ITEM #	SIZE	CTN	CASE	A	B	C	D	E	F
50433	3/4"	6	24	3/4	4 5/8	2	3 5/8	2 5/16	1/2
50434	1"	4	16	1	4 11/16	2 5/8	4 3/16	2 1/2	1/2
50435	1 1/4"	2	12	1 1/4	4 11/16	3	4 1/2	2 5/16	3/4
50436	1 1/2"	2	12	1 1/2	5 3/8	3 1/2	5 1/2	3 1/8	3/4



**INCLUDES**  
**4143/5143 SERIES**  
**UNION DRAIN BALL**  
**FUNCTIONALITY**



**T-Flow Ball**  
  
**T Flow**  
 Compact Design  
 Reversible handle directs flow into the drain from either side of the ball

NO.	DESCRIPTION	MATERIAL
1	BODY	BRASS
2	END CAP	BRASS
3	SEAT	PTFE
4	BALL	BRASS HCP
5	STEM	BRASS
6	STEM SEAL	PTFE
7	PACKING GLAND	BRASS
8	LEVER HANDLE	STEEL CP
9	HANDLE JACKET	VINYL
10	HANDLE NUT	STAINLESS STEEL
11	UNION NUT	BRASS
12	FITTING	BRASS
13	O-RING	EPDM
14	END CAP	BRASS
15	SEAT	PTFE
16	BALL	BRASS HCP
17	STEM	BRASS
18	STEM SEAL	PTFE
19	PACKING GLAND	BRASS
20	HANDLE	ENAMEL COATED ALUMINUM
21	HANDLE SCREW	BRASS
22	CAP & STRAP	BRASS W/ EPDM STRAP
23	WASHER	EPDM

TEMP °F	PSI
100	600
150	485
200	395
250	210
300	N/A
350	N/A
366	N/A

**Specifications:** Designed for residential, commercial or industrial use with water, oil or gas. This approved Webstone valve is actuated by a blowout proof stem and features an adjustable packing gland. Solder joint temperature ratings are per ASME B16.18 Annex A for 95-5 solder. Other solder materials have lower pressure/temperature limits. Do not silver braze or overheat valves when soldering.



Quality and Commitment Since 1954

www.webstonevalves.com P: (800) 225-9529 F: (800) 336-5133

Webstone product specifications in U.S. customary units are approximate and are provided for reference only. Webstone reserves the right to change or modify product design, construction, specifications or materials without prior notice and without incurring any obligation to make such changes and modifications on Webstone products previously or subsequently sold.