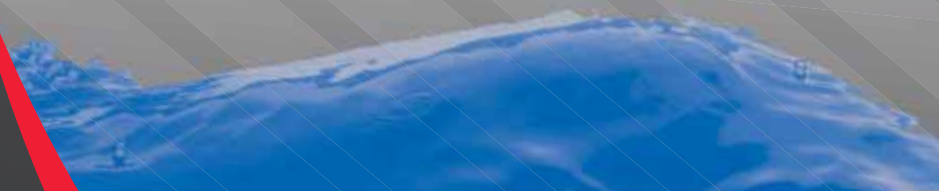


Webstone

VALVE INNOVATION

STEP **SAVING** VALVES
FOR THE **PROFESSIONAL**

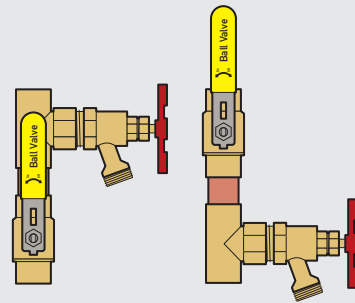
PRO-PAL
S E R / E S



BALL DRAIN™

- Eliminate assemblies needed to isolate & drain any portion of a piped system
- Isolate & drain an entire house with simple quarter-turn action
- SWT × IPS option designed specifically for use with pre-fabricated threaded headers
- Reversible handle for added versatility

REPLACES 4 COMPONENTS
ELIMINATES 3 LEAK PATHS
SAVES 27 MINUTES OF LABOR



Draining from Above Ball

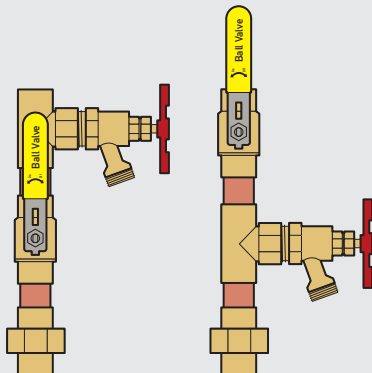
Draining from Below Ball



ADJUSTABLE

Divert fluids from the main flow channel into the drain from either side of the ball

REPLACES 6 COMPONENTS
ELIMINATES 5 LEAK PATHS
SAVES 45 MINUTES OF LABOR



Draining from Above Ball

Draining from Below Ball

UNION BALL DRAIN™

- All the Features of the Ball Drain, with Integrated Union Connection
- Easily disconnect and replace any portion of a piped system

DESIGN INCLUDES

UNION DRAIN BALL™
FUNCTIONALITY



ADJUSTABLE



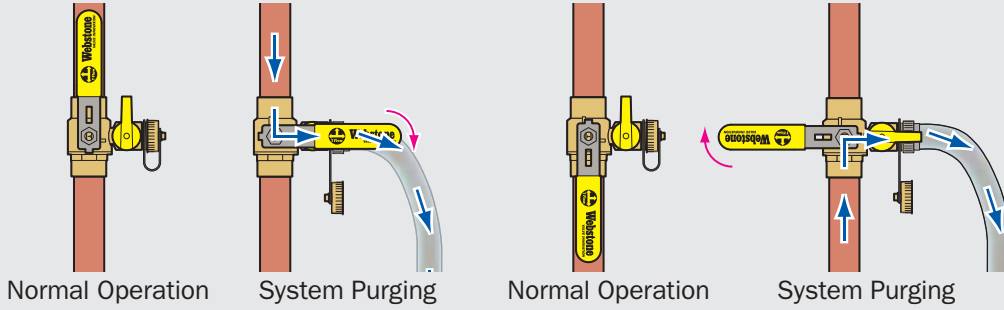


Adjustable Flow Path

ADJUSTABLE Valves with the T-Flow Adjustable Flow Path may be quickly and easily reconfigured to drain from either side of the ball. Simply remove the handle, turn the stem 180° and replace the handle.

DRAINING FROM ABOVE BALL

DRAINING FROM BELOW BALL



BALL DRAIN™

Full Port Forged Brass Ball Valves w/ Hi-Flow Hose Drain, Adjustable Packing Gland & Reversible Handle

600 WOG
ISO 9001

	ITEM#	SIZE	CTN/CASE	A	B	C	D	E	F
IPS	40612	1/2"	6/36	1/2	2 1/2	2	3 7/8	2 1/2	1/2
	40613	3/4"	6/36	3/4	2 5/8	2 1/16	3 7/8	2 3/8	1/2
	40614	1"	4/24	1	3 1/4	2 5/8	4 5/8	2 1/2	1/2
	40615	1 1/4"	2/12	1 1/4	3 1/2	3	4 5/8	3	3/4
	40616	1 1/2"	2/12	1 1/2	3 7/8	3 1/2	5 5/8	3 1/16	3/4
	40617	2"	1/6	2	4 3/8	4	5 5/8	4	3/4
C x C	50612	1/2"	6/36	1/2	2	2	3 7/8	2 1/2	1/2
	50613	3/4"	6/36	3/4	2 7/8	2 1/16	3 7/8	2 3/8	1/2
	50614	1"	4/24	1	3 9/16	2 5/8	4 5/8	2 1/2	1/2
	50615	1 1/4"	2/12	1 1/4	3 7/8	3	4 5/8	3	3/4
	50616	1 1/2"	2/12	1 1/2	4 5/8	3 1/2	5 5/8	3 1/16	3/4
	50617	2"	1/6	2	5 1/2	4	5 5/8	4	3/4
SWT x IPS	54612	1/2"	6/36	1/2	2 1/16	2	3 7/8	2 1/2	1/2
	54613	3/4"	6/36	3/4	2 3/4	2 1/16	3 7/8	2 3/8	1/2
	54614	1"	4/24	1	3 3/8	2 5/8	4 5/8	2 1/2	1/2



UNION BALL DRAIN™

Full Port Forged Brass Ball Valves w/ Single Union End & Hi-Flow Hose Drain, Adjustable Packing Gland & Reversible Handle

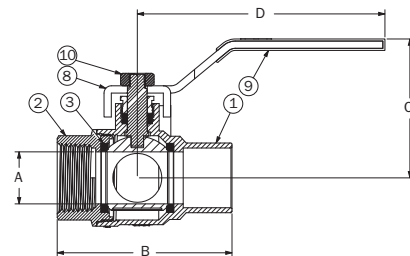
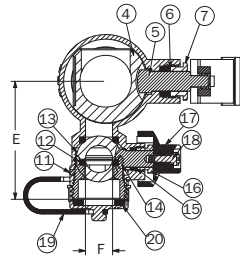
600 WOG
ISO 9001

	ITEM #	SIZE	CTN/CASE	A	B	C	D	E	F
IPS UNION x IPS	40433	3/4"	6/24	3/4	4 3/8	2 1/16	4	2 7/16	1/2
	40434	1"	4/16	1	4 11/16	2 5/8	4 1/16	2 1/2	1/2
	40435	1 1/4"	2/12	1 1/4	4 11/16	3	4 5/16	2 15/16	3/4
	40436	1 1/2"	2/12	1 1/2	5 5/8	3 1/2	5 3/16	3 1/8	3/4
IPS UNION x SWT	50433	3/4"	6/24	3/4	4 5/8	2	3 5/8	2 5/16	1/2
	50434	1"	4/16	1	4 11/16	2 5/8	4 3/16	2 1/2	1/2
	50435	1 1/4"	2/12	1 1/4	4 11/16	3	4 1/2	2 5/16	3/4
	50436	1 1/2"	2/12	1 1/2	5 3/8	3 1/2	5 1/2	3 1/8	3/4

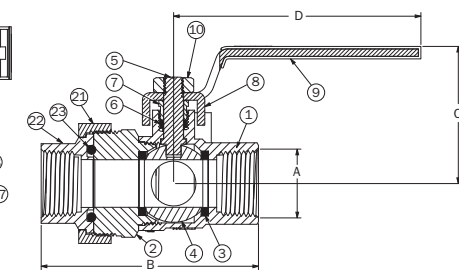
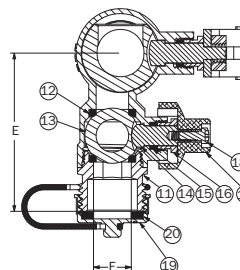


NO.	DESCRIPTION	MATERIAL
1	BODY	BRASS
2	END CAP	BRASS
3	SEAT	PTFE
4	BALL	BRASS HCP
5	STEM	BRASS
6	STEM SEAL	PTFE
7	PACKING GLAND	BRASS
8	LEVER HANDLE	STAINLESS STEEL
9	HANDLE JACKET	VINYL
10	HANDLE NUT	STAINLESS STEEL
11	END CAP	BRASS
12	SEAT	PTFE
13	BALL	BRASS HCP
14	STEM	BRASS
15	STEM SEAL	PTFE
16	PACKING GLAND	BRASS
17	HANDLE	ALUMINUM
18	HANDLE SCREW	BRASS
19	CAP & STRAP	BRASS
20	WASHER	EPDM
21	UNION NUT	BRASS
22	FITTING	BRASS
23	WASHER	EPDM

BALL DRAIN™



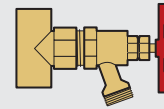
UNION BALL DRAIN™



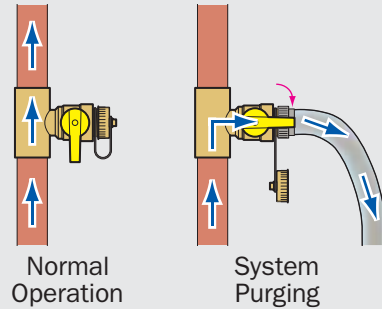


- Eliminates assemblies needed for installing drains into a line
- Install anywhere a drain or purge valve is required
- Hi-flow alternative for filling closed-loop hydronic systems

**REPLACES 2 COMPONENTS
ELIMINATES 1 LEAK PATH
SAVES 9 MINUTES OF LABOR**



HANDLE OPERATION

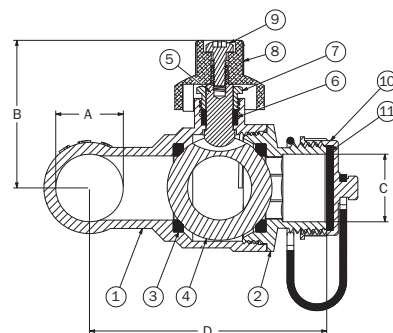


T-DRAIN™
Full Port Forged Brass Fitting w/ Hi-Flow Hose Drain 600 WOG · ISO 9001

ITEM #	SIZE	CTN/CASE	A	B	C	D	
IPS	40672	1/2"	10/80	1/2	1 15/16	1/2	2 15/16
	40673	3/4"	8/48	3/4	2 5/16	1/2	3 7/16
	40674	1"	8/48	1	2 5/16	1/2	3 13/16
	40675	1 1/4"	6/24	1 1/4	2 7/8	3/4	4 1/4
	40676	1 1/2"	4/24	1 1/2	2 7/8	3/4	4 5/8
	40677	2"	2/20	2	3	3/4	5 3/16
C×C	50672	1/2"	10/80	1/2	1 3/4	1/2	2 3/16
	50673	3/4"	8/48	3/4	2 3/8	1/2	2 13/16
	50674	1"	8/48	1	2 13/16	1/2	2 13/16
	50675	1 1/4"	6/24	1 1/4	3 3/16	3/4	2 13/16
	50676	1 1/2"	4/24	1 1/2	3 3/8	3/4	2 13/16
	50677	2"	2/20	2	3 5/8	3/4	3 1/16

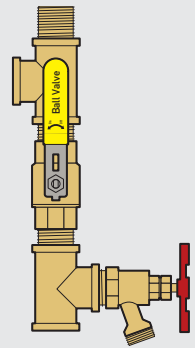


NO.	DESCRIPTION	MATERIAL
1	BODY	BRASS
2	END CAP	BRASS
3	SEAT	PTFE
4	BALL	BRASS HCP
5	STEM	BRASS
6	STEM SEAL	PTFE
7	PACKING GLAND	BRASS
8	HANDLE	ENAMEL COATED ALUMINUM
9	HANDLE SCREW	BRASS
10	CAP & STRAP	BRASS W/ EPDM STRAP
11	WASHER	EPDM



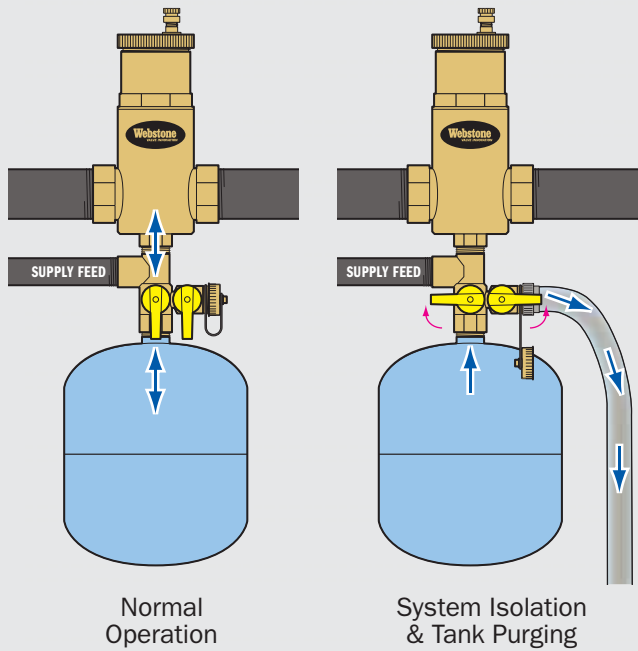


**REPLACES 7 COMPONENTS
ELIMINATES 6 LEAK PATHS
SAVES 54 MINUTES OF LABOR**



- Easily install, isolate, drain & replace any expansion tank
- Quickly connect entire system to the cold water feed
- Ideal for use with the Webstone Air Separator

HANDLE OPERATION



EXPANSION TANK PRO SERVICE VALVE™

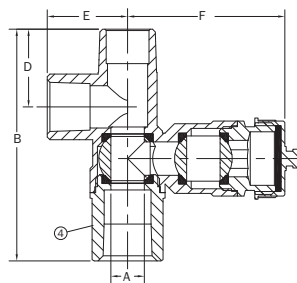
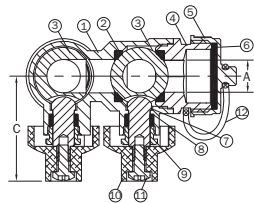
Full Port Forged Brass Ball Valves w/ Hi-Flow Hose Drain

600 WOG · ISO 9001

ITEM#	SIZE	CTN/CASE	A	B	C	D	E	F
41672	1/2"	1/30	1/2	3 3/8	1 9/16	1 1/8	1 3/16	2 5/16



NO.	DESCRIPTION	MATERIAL
1	BODY	BRASS
2	SEAT	PTFE
3	BALL	BRASS HCP
4	END CAP	BRASS
5	CAP	BRASS
6	WASHER	EPDM
7	STEM	BRASS
8	STEM SEAL	PTFE
9	PACKING GLAND	BRASS
10	HANDLE	ENAMEL COATED ALUMINUM
11	HANDLE SCREW	BRASS
12	STRAP	EPDM

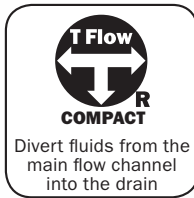
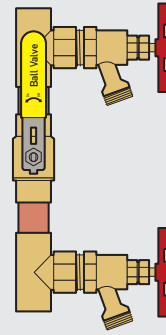


PURGE & FILL™



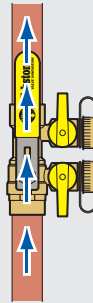
- Simultaneously drain, flush & refill any hydronic system
- T-pattern flow path quickly and easily isolates the flow between the two hose thread valves
- Flow is diverted in one hose thread valve & out the other hose thread valve
- Reversible handle for added versatility

**REPLACES 7 COMPONENTS
ELIMINATES 6 LEAK PATHS
SAVES 54 MINUTES OF LABOR**

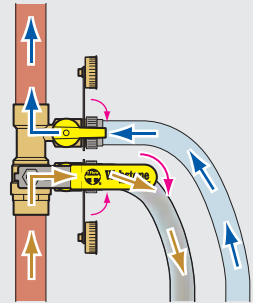


Divert fluids from the main flow channel into the drain

HANDLE OPERATION



Normal Operation



System Draining, Flushing, Filling

PURGE & FILL™

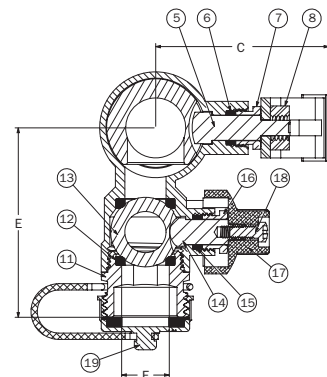
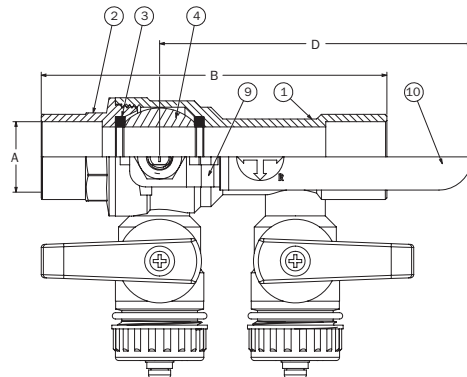
Full Port Forged Brass Ball Valves w/ (2) 3/4" Hi-Flow Hose Drains, Adjustable Packing Gland & Reversible Handle

600 WOG
ISO 9001

ITEM#	SIZE	CTN/CASE	A	B	C	D	E	F	
IPS	48613	3/4"	1/12	3/4	3 15/16	2 1/8	3 7/8	2 3/8	1/2
	48614	1"	1/12	1	4 5/16	2 9/16	4 5/8	2 9/16	1/2
	48615	1 1/4"	1/12	1 1/4	4 7/8	2 7/8	4 5/8	2 15/16	3/4
	48616	1 1/2"	1/12	1 1/2	5 1/16	3 7/16	5 9/16	3 1/6	3/4
CxC	58613	3/4"	1/12	3/4	4 5/16	2 1/8	3 7/8	2 3/8	1/2
	58614	1"	1/12	1	4 3/4	2 9/16	4 5/8	2 5/8	1/2
	58615	1 1/4"	1/12	1 1/4	5 1/2	2 7/8	4 5/8	3	3/4
	58616	1 1/2"	1/12	1 1/2	6	3 7/16	5 9/16	3 1/2	3/4



NO.	DESCRIPTION	MATERIAL
1	BODY	BRASS
2	END CAP	BRASS
3	SEAT	PTFE
4	BALL	BRASS HCP
5	STEM	BRASS
6	STEM SEAL	PTFE
7	PACKING GLAND	BRASS
8	HANDLE NUT	STAINLESS STEEL
9	HANDLE	STEEL CP
10	HANDLE JACKET	VINYL
11	DRAIN END CAP	BRASS
12	DRAIN SEAT	PTFE
13	DRAIN BALL	BRASS HCP
14	DRAIN STEM	BRASS
15	DRAIN STEM SEAL	PTFE
16	DRAIN PACKING	BRASS
17	DRAIN VALVE HANDLE	ENAMEL COATED ALUMINUM
18	DRAIN VALVE HANDLE SCREW	BRASS
19	CAP & STRAP	BRASS W/ EPDM STRAP



PRIMARY/SECONDARY
PURGE TEETM

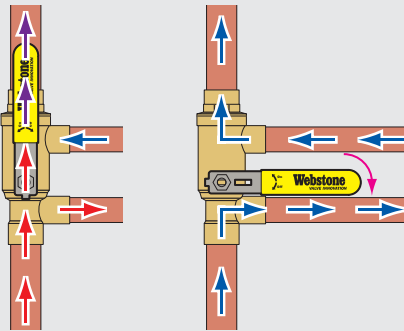
- Allows for placement of a ball valve between closely spaced tees
- Ensures critical distance between the tees is within tolerance for hydraulic separation
- Permits power purging of individual loops in hydronic systems
- Full port solid flow channel ensures highest flow rate possible
- Ideal for primary/secondary piping in mod-con boiler systems

REPLACES 5 COMPONENTS*
ELIMINATES 4 LEAK PATHS
SAVES 36 MINUTES OF LABOR



*Correct spacing for hydraulic separation cannot be achieved using off-the-shelf components

HANDLE OPERATION



Normal Operation

Power Purging

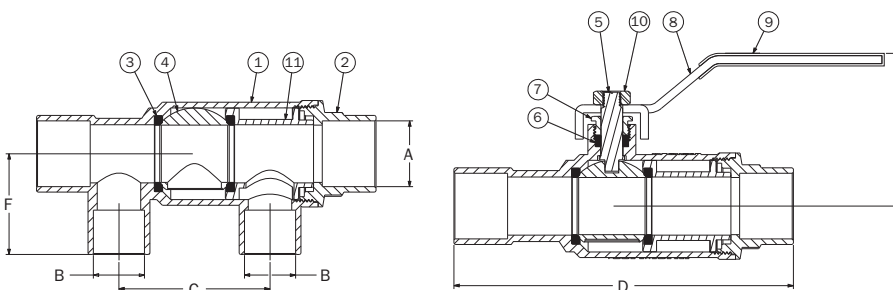


PURGE-TEE™

Full Port Forged Brass Ball Valves – Primary/Secondary Loop Purge Tee, Adjustable Packing Gland & Reversible Handle

600 WOG
ISO 9001

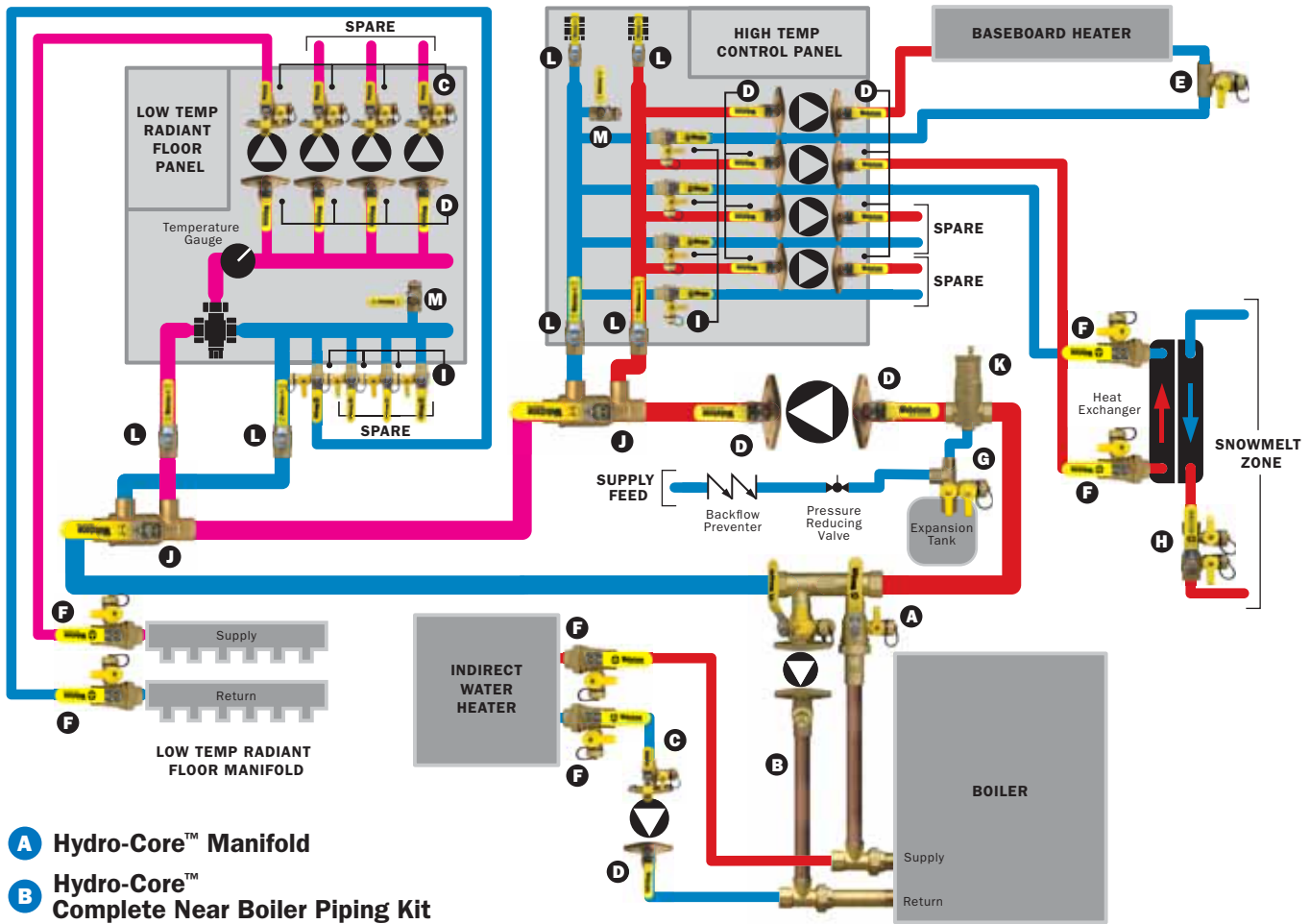
	ITEM #	RUN SIZE	BRANCH SIZE	CTN/CASE	A	B	C	D	E	F
C×C (1" PRIMARY LOOP)	58643	1"	3/4"	1/12	1	3/4	2 11/16	5 13/16	2 3/8	1 11/16
	58644	1"	1"	1/12	1	1	2 7/8	6 1/4	2 7/16	1 7/8
C×C (1 1/4" PRIMARY LOOP)	58652	1 1/4"	1/2"	1/12	1 1/4	1/2	2 5/8	5 3/4	2 9/16	1 11/16
	58653	1 1/4"	3/4"	1/12	1 1/4	3/4	3 1/4	6 5/16	2 1/4	2 1/8
	58654	1 1/4"	1"	1/12	1 1/4	1	3 1/4	7	2 9/16	2 3/16
C×C (1 1/2" PRIMARY LOOP)	58655	1 1/4"	1 1/4"	1/12	1 1/4	1 1/4	3 1/4	7 3/16	2 5/8	2 1/8
	58662	1 1/2"	1/2"	1/12	1 1/2	1/2	2 15/16	6 5/8	2 15/16	1 11/16
	58663	1 1/2"	3/4"	1/12	1 1/2	3/4	3 1/8	7 7/8	2 15/16	2 1/8
	58664	1 1/2"	1"	1/12	1 1/2	1	3 3/8	7 7/8	2 15/16	2 1/4



NO.	DESCRIPTION	MATERIAL
1	BODY	BRASS
2	END CAP	BRASS
3	SEAT	PTFE
4	BALL	BRASS HCP
5	STEM	BRASS
6	STEM SEAL	PTFE
7	PACKING GLAND	BRASS
8	HANDLE	STEEL CP
9	HANDLE JACKET	VINYL
10	HANDLE NUT*	STAINLESS STEEL
11	SEAT RETAINER	BRASS

*CP STEEL NUTS FOR MODELS 58652, 58662, 58663, & 58664.

WHERE WOULD YOU USE WEBSTONE?



- A** Hydro-Core™ Manifold
- B** Hydro-Core™ Complete Near Boiler Piping Kit
- C** Isolator® w/Rotating Flange & Multi-Function Drain
- D** Isolator® w/Rotating Flange
- E** T-Drain™
- F** Union Ball Drain™
- G** Expansion Tank Pro Service Valve™
- H** Purge & Fill™
- I** Ball Drain™
- J** Purge Tee™
- K** Air Separator
- L** Brass Ball Valve
- M** Ball Valve w/Hose End

ADVANTAGES TO COMPLETE INSTALLATION

- **Total Leak Paths Avoided: 164**
- **Total Estimated Labor Savings: 24 hours, 30 minutes**

Webstone
VALVE INNOVATION

ONE APPIAN WAY WORCESTER, MA 01610
P.O. BOX 59 WORCESTER, MA 01613
P: (800) 225-9529 • F: (800) 336-5133
www.webstonevalves.com