

Installation Instructions



PolyPro Single-Wall Gas Vent
System for Category II & IV
Gas-Burning Appliances

POLYPRO[®]

A MAJOR CAUSE OF VENT RELATED FIRES IS FAILURE TO MAINTAIN REQUIRED CLEARANCES (AIR SPACES) TO COMBUSTIBLE MATERIALS. IT IS OF THE UTMOST IMPORTANCE THAT POLYPRO® BE INSTALLED ONLY IN ACCORDANCE WITH THESE INSTRUCTIONS.

! WARNING

CARBON MONOXIDE POISONING HAZARD. Failure to follow the steps outlined below for each appliance connected to the venting system being placed into operation could result in carbon monoxide poisoning or death.

- Examine all components for possible shipping damage prior to installation;
- Read all instructions before beginning the installation and follow these instructions exactly as written.
- Proper joint assembly is essential for a safe installation. Check the integrity of ALL joints upon completion of assembly
- This venting system must be free to expand and contract under normal operation.
- Assure unrestricted vent movement where required through walls, ceilings and roof penetrations.
- This venting system must be supported in accordance with these instructions.
- Do not mix pipe, fittings, or joining methods from different vent system manufacturers. Do not use adhesives of any kind with this venting system. insurance and safety listing of your appliance. Acceptance of the installed system is dependant on full compliance with these installation instrucionts

! WARNING

Risk of carbon monoxide poisoning or fire due to joint separation or pipe breakage.

Keep these instructions for future reference.

Dear Customer, Installer, or End User:

We welcome any comments regarding matters pertaining to our DuraVent products. We welcome any ideas, input or complaints to help improve our product offering. Send your emails to:
president@duravent.com

If you are searching for tech support or product information, please phone us at 800-835-4429.
Or email us at:
techsupport@duravent.com

PolyPro® is one of M&G DuraVent's GreenVent® line of products.



PolyPro Single-Wall Gas Vent System

For the most up-to-date installation instructions, see www.duravent.com

CONTENTS

LISTING.....	4
APPLICATION.....	4
PERMITS.....	4
GENERAL INSTALLATION NOTES.....	4
CLEARANCES (TABLE 1).....	4
CONDENSATE DRAIN.....	5
JOINT CONNECTIONS.....	5
EQUIVALENT LENGTH CHART (TABLE 2).....	5
APPLIANCE CONNECTION.....	6
INSTALLATION.....	7
HORIZONTAL TERMINATIONS.....	8
WALL AND CEILING PENETRATION (TABLE 3).....	9
VERTICAL TERMINATIONS.....	10
MAINTENANCE.....	11
WARRANTY.....	12

POLYPRO[®]

LISTING

Listed to ULC S636

Rated Class IIA, IIB, and IIC vent system
maximum temperature 230°F (110 °C)
maximum positive pressure 15 in.-w.c.
Massachusetts Plumbers Board,
G1-0811-42.

APPLICATION

ANSI Category II and IV gas-burning appliances.
Appliances specifically tested and listed to use M&G DuraVent PolyPro Venting

PERMITS

Check with your local Building Official, Fire Official, or other authority having jurisdiction regarding permits, restrictions, and installation inspections in your area.

GENERAL INSTALLATION NOTES

Read these installation instructions before begin. You must use only authorized M&G DuraVent PolyPro vent parts, or other parts specifically authorized in these instructions and/or listed by the appliance manufacturer in order to maintain a safe, approved system.

- Do not fill any air space clearance (**Table 1**) with insulation.
- Do not mix parts or try to match with other products or use improvised solutions.
- Do not install damaged or modified parts.

Table 1

Clearance to Combustibles

	VENT PIPE ORIENTATION	
	Vertical	Horizontal
Single Wall		
Up to 190°F	0"	0"
Up to 230°F	0"	¼" (6mm) all around
Concentric		
Up to 230°F	0"	0"

- Use soapy water to lubricate gaskets
 - Never use Petroleum base lubricants
- If these directions and those of the appliance manufacturer differ, follow the more conservative requirements. If you have any questions, contact either your dealer or M&G DuraVent directly. A venting system must not be routed into, through, or within any other vent, such as an existing masonry or factory-built chimney flue, unless that vent or chimney is not being used to vent another appliance and is only used as a conduit for the gas-vent system. Plastic venting systems shall not pass through fire rated separations without approved firestopping.

Refer to the appliance manufacturer's instructions for maximum and minimum vent lengths permitted with your specific appliance model. This information should include guidance on the maximum number of elbows and related pressure-drops. The total vent length from the appliance to the termination shall not be greater than specified by the appliance manufacturer. If specific guidance is not offered by the appliance manufacturer as to Equivalent Vent Lengths (EVL) for vent components, the general guidelines in Table 2 can be used-



IMPORTANT

To prevent possible recirculation of flue gases, the installer must consider the effects of prevailing wind conditions, eddy zones, nearby buildings, obstructions, or other obstacles such as shrubs when planning exhaust and air intake locations. M&G DuraVent can not be held responsible for poor appliance performance or damage to buildings due to an incorrect installation. The minimum clearances detailed within our instructions may not be adequate in some circumstances depending on the specifics of the installation. For this reason we always recommend vertical venting.

IMPORTANT
 The vent system must be compliant in accordance with local code requirements and appropriate National Codes: In the US: NFPA 54 / ANSI Z223.1 National Fuel Gas Code or the International Fuel Gas Code. In Canada: CAN/CGA-B149.1 Natural Gas Installation Code or CAN/CGA-149.2 Propane Installation Code.

CONDENSATE DRAIN (Fig.1)
 Refer to the appliance manufacturer's installation instructions for requirements of condensate drainage. Slope system for drainage. (Fig.6)

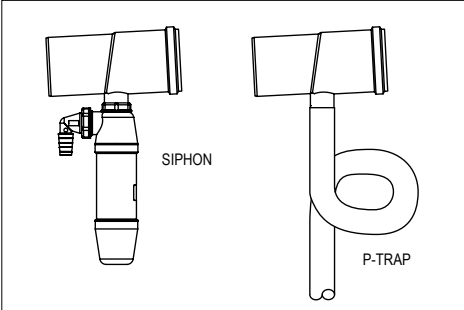


Figure 1

WARNING
CARBON MONOXIDE POISONING HAZARD
 Failure to follow these installation instructions could result in personal injury or death

JOINT CONNECTIONS
PolyPro to PolyPro (Fig.2)

Verify the gasket is seated evenly inside the groove in the female end. Slide Locking Band on pipe. Slide pipe sections together until joint is bottomed out then slide apart 1/4" to 5/8" (7.5 - 15 mm) for expansion. Slide locking band onto the male end of pipe with the cleat facing outward away from the female hub.

- **Screws are not allowed for joint connection. Never penetrate the wall of PolyPro vent pipe. (Exception- a SS screw may be used outside the building on exterior termination fittings to orient an elbow, etc).**
- **IMPORTANT: Locking bands are mandatory on all exhaust vent joints on pipe sizes from 2" up to 4" (Fig.2)**
- **For 5"-8" diameter, Locking Bands are not required but strongly recommended at every exhaust vent joint (Fig.2)**
- **Locking bands are optional for air inlet vent joints. (Fig.2)**

Table 2: Equivalent Length Chart

	2" Equivalent Length	3" Equivalent Length	4" Equivalent Length	5" Equivalent Length	6" Equivalent Length	8" Equivalent Length
1-ft Vent Pipe	1-ft	1-ft	1-ft	1-ft	1-ft	1-ft
1-ft Flex Pipe	2-ft (same diameter as rigid)	2-ft (same diameter as rigid)	2-ft (same diameter as rigid)	2-ft (same diameter as rigid)	N/A	N/A
1-ft Flex Pipe	0.4-ft (upsized one diameter)	0.6-ft (upsized one diameter)	0.6-ft (upsized one diameter)	N/A	N/A	N/A
45 Elbow	3-ft	3-ft	5-ft	6-ft	6-ft	13-ft
90 Elbow	5-ft	7-ft	12-ft	14-ft	14-ft	19-ft
Tee	9-ft	12-ft	19-ft	21-ft	22-ft	29-ft

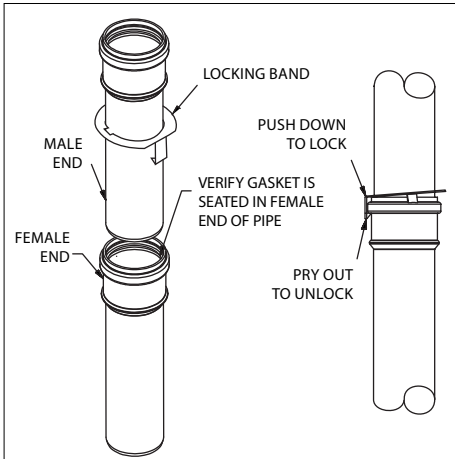


Figure 2

Connecting DuraVent's metal 1738/S636 system to a PolyPro system (Fig.3)

1. Slide locking band onto appropriate adapter
 - Align slot on locking band with projection on adapter
 - Slide locking band past projection
 - Rotate Locking Band above projection so locking mechanism is opposite projection
2. Slide adapter into PolyPro pipe
3. Lock Locking band to PolyPro
 - Ensure locking band is above projection on pipe

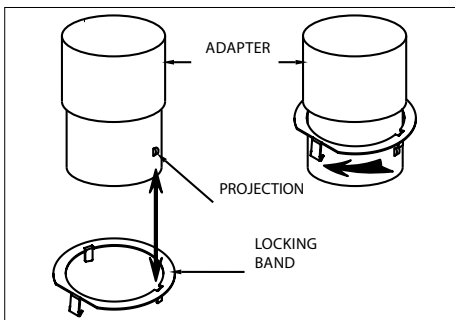


Figure 3

APPLIANCE CONNECTION: 2" - 4"

1. If the appliance has a PVC/CPVC female outlet use the Appliance Adapter/ PVC Adapter and Clamp. **(Fig.4)**
 - If the appliance has a PVC/CPVC Male outlet use a matching PVC/CPVC coupling to convert to a female outlet.
2. If the appliance outlet has a rubber boot or Fernco-style appliance adapter, then the PolyPro vent pipe may attach directly to the appliance **(Fig.5)**.
3. If the appliance has a FasNSeal outlet then use the FasNSeal to PolyPro adapter.

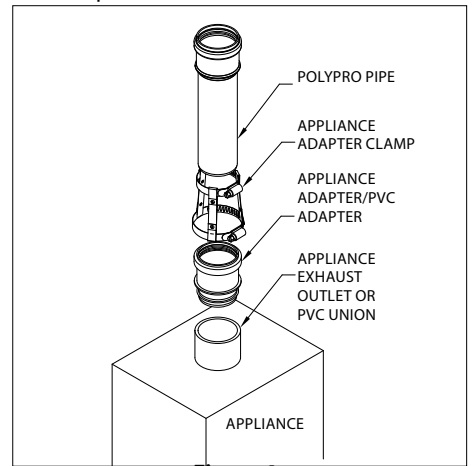


Figure 4

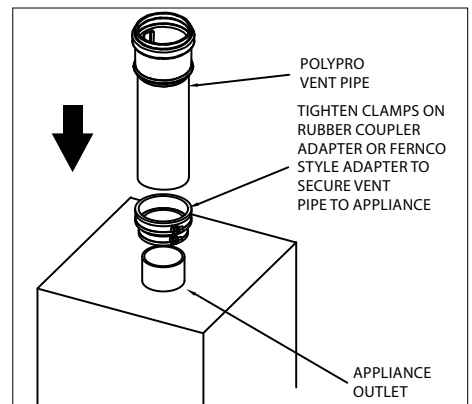


Figure 5

INSTALLATION

- PolyPro vent pipe lengths may be cut to length. **(Fig.6)**
 - Cut square (not at an angle) to the end of the pipe.
 - Remove burrs before assembly.

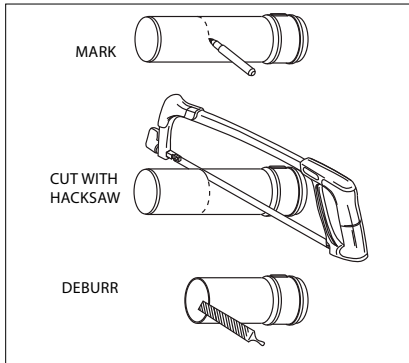


Figure 6

- Check with appliance manufacturer for any restrictions or limits on vent length, number of elbows, etc.
- The slope of the vent pipe must be at least 5/8" rise per foot (50mm rise per 1m) away from the appliance, **(Fig.7)**.
- Wall Straps are required to support the overall vent run. Make sure that the load of the vent system is not supported by the appliance. **(Fig.7, 8, and 9)**
 - All-thread may be used as an extension to the wall strap
- Vertical installations must be supported every 10 feet (3 meters) or less, **(Fig.8 & 9)**
- Every horizontal section must be supported. **(Fig.8)**
- Elbows and Tees are sufficiently supported when a bracket is fixed at the female end of the connected straight section **(Fig.8)**.
- Vertical components can be insulated in any unconditioned space or when ran outside
- Only black UV treated components can be installed outside

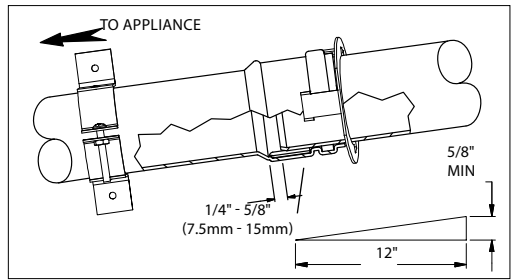


Figure 7

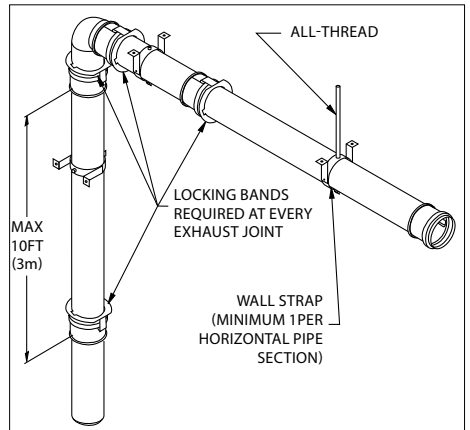


Figure 8

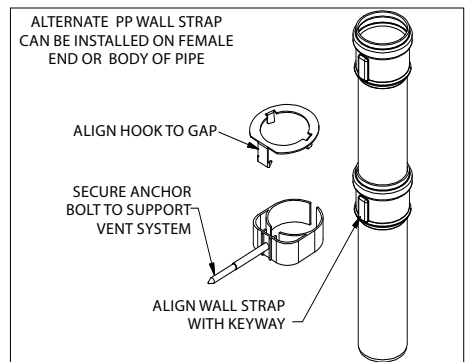


Figure 9

TERMINATIONS:

Horizontal Single Pipe (Fig.10)

1. Locate penetration in wall
2. Cut or cut and frame hole (**Table 3**)
3. Attach Inner Plate to wall
4. Attach / seal Outer Plate to outside wall
5. Line up keyway, slide black pipe (**UV Protected**) or termination through plates
6. If termination is used attach with screws
 - Align tabs with mounts
7. Add additional components to raise vent level if desired (vent to be 12" above grade or ave snow level)
8. Remove gasket and install Bird Guard into end of pipe. (**Fig.11**)
9. Install Poly Pro venting system to/from termination to appliance

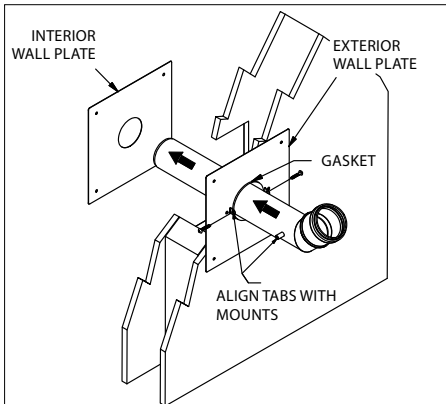


Figure 10

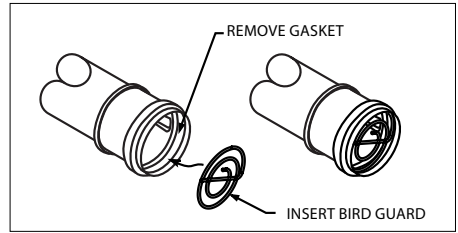


Figure 11

Horizontal Twin Pipe (Fig.12)

1. Locate penetration
2. Cut or cut and frame hole (**Table 3**)
3. Attach interior wall plate to inside wall
4. Attach and seal exterior wall plate to outside wall
5. Slide pipes through outer plate
6. Rotate pipes to slide pipe past keyway
7. Attach inner plate to wall
8. Attach and seal outer plate to outside wall
9. Slide exhaust tip into exhaust pipe
10. Mount outer cover plate to exterior wall plate.
11. install Poly Pro venting system to/from termination to appliance

Horizontal Concentric (Fig.13)

1. Locate penetration
2. Cut hole (**Table 3**)
3. Attach and seal exterior exterior wall plate onto outside wall

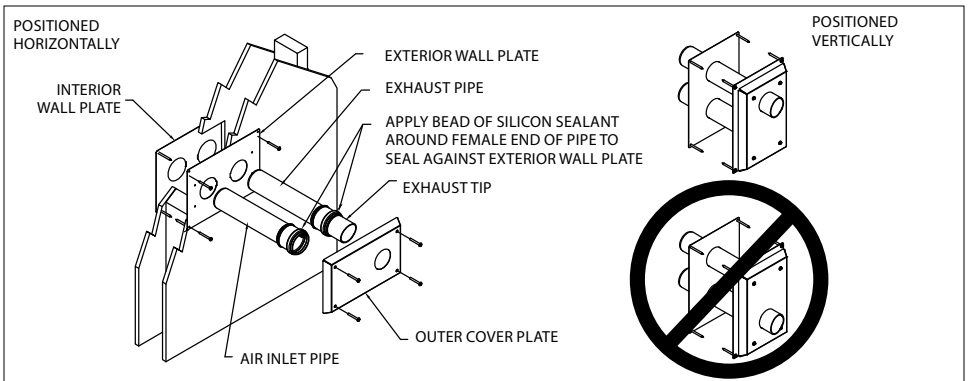


Figure 12

Table 3

Wall & Ceiling Penetration Sizing Table

Termination	VENT DIAMETER					
	2"	3"	4"	5"	6"	8"
CONCENTRIC VERTICAL OR HORIZONTAL	4 1/8" 105mm	5 1/8" 130mm	6 1/8" 155mm	N/A	N/A	N/A
TWIN PIPE HORIZONTAL CLASS IIB	7 3/8" x 2 5/8" 187mm x 65mm	8 3/8" x 3 7/8" 212 x 85mm	9" x 4 3/8" 228 x 100mm	N/A	N/A	N/A
TWIN PIPE HORIZONTAL CLASS IIC (Framing Dimensions)	8" x 3" 200 x 77mm	8 7/8" x 3 7/8" 225 x 98mm	9 3/8" x 4 3/8" 238 x 112mm	N/A	N/A	N/A
SINGLE HORIZONTAL CLASS IIB	2 5/8" 65mm /	3 3/8" 85mm	4" 100mm	N/A	N/A	N/A
SINGLE HORIZONTAL CLASS IIC (Framing Dimensions)	3" 77mm	3 7/8" 98mm	4 3/8" 112mm	N/A	N/A	N/A
SINGLE WALL W/ LOCKING BAND VERTICAL	3 1/2"	4 1/4"	5 1/8"	6 1/2"	7 1/4"	9 1/4"
SINGLE PIPE NO LOCKING BANDS VERTICAL	3"	3 3/4"	4 1/2"	5 3/4"	6 3/4"	7 3/4"

4. Slide cap through exterior wall plate into hole from outside building
 - **Cap must be installed level or sloped 1/8" per foot away from appliance**
5. Orient termination so air intake slots face down
6. Seal termination to exterior wall plate with silicone sealant
7. Slide interior wall plate over termination and attach to wall from inside the room
8. Attach interior wall plate to termination with provided hardware
9. Install gaskets into Co-Linear Adapter
10. Attach Co-Linear Adapter to Horizontal Termination
11. Install Poly Pro venting system to/from termination to appliance

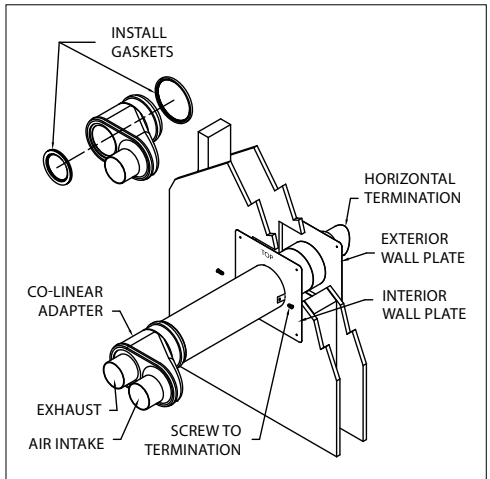


Figure 13

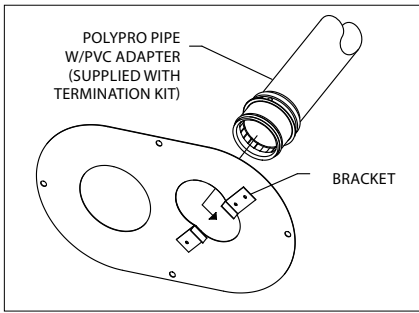


Figure 14

Lochinvar 2" installation (Fig.14)

1. Slide PolyPro pipe w/ PVC adapter into oblong hole and down. Brackets will point away from the wall, on the exterior of the house, and rest between the two outward beads.
2. Install the termination assembly in accordance with appliance manufacturer's instructions.
3. Verify exhaust pipe cannot be removed from termination cap.

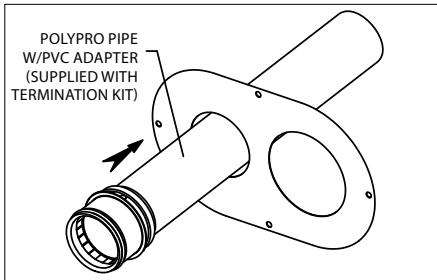


Figure 15

Lochinvar 3" & 4" installation (Fig.15)

1. Slide PolyPro Pipe w/ PVC adapter into small hole of retaining plate until it stops on the adapter collar
2. Finish installing the termination assembly in accordance with appliance manufacturer's instructions. PolyPro pipe is to be installed on the exhaust outlet.
3. Once securely installed to exterior, verify exhaust pipe cannot be removed from termination cap.

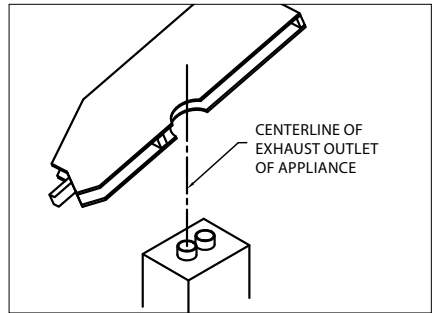


Figure 16

Vertical Concentric

1. Locate penetration (**Fig.16**)
2. Cut hole in roof (**Table 3**)
3. Cut hole in ceiling above appliance
 - Cut hole in all ceilings above appliance if installing in a multi story installation
 - Hole through ceiling/s only has to be big enough for the pipe to pass through
4. Firestop each ceiling penetration
5. Attach flashing to roof (**Fig.17**)
 - Slide storm collar onto flashing if using the Adjustable Roof Flashing
6. Slide vertical termination into flashing from above until seated on flashing
7. Plumb Termination and mount support bracket to structure
8. Install gaskets into Co-Linear Adapter (**Fig.13**)
9. Connect Co-Linear Adapter to termination (**Fig.18**)
10. Install Poly Pro venting system to/from Co-Linear Adapter to appliance
 - If appliance only requires single vent (exhaust) you may attach PolyPro system directly to the inner pipe of the termination assembly without using the Co-Linear Adapter (**Fig.18**)

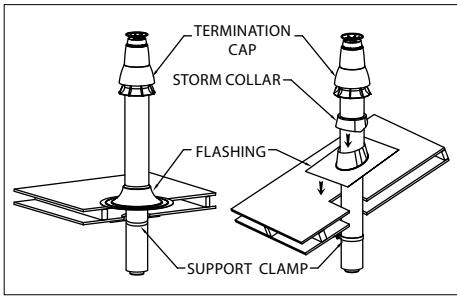


Figure 17

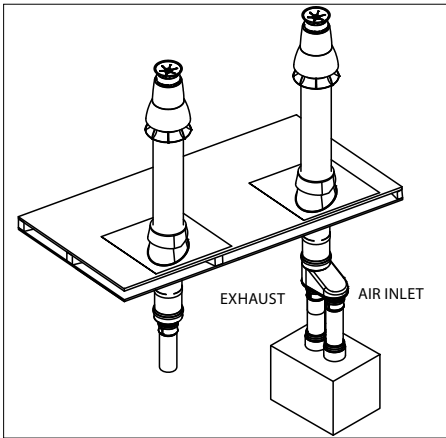


Figure 18

Vertical single pipe (Fig.19)

1. Locate penetration (**Fig.16**)
2. Cut hole in roof (**Table 3**)
3. Cut hole in ceiling above appliance
 - Cut hole in all ceilings above appliance if installing in a multi story installation
 - Hole through ceiling/s only has to be big enough for the pipe to pass through
4. Firestop each ceiling penetration
5. Attach flashing to roof (**Fig.17 & 19**)
 - *rubber boot flashing or similar, ensure an effective, leak-proof seal is maintained.*
 - Use black pipe (**UV Protected**)

- where exposed to sunlight.
6. Maintain 12 in. (305mm)min. clearance above highest anticipated snow level
Maximum of 24 in.(614mm) above roof
 7. Install Poly Pro venting system to/from black pipe to appliance

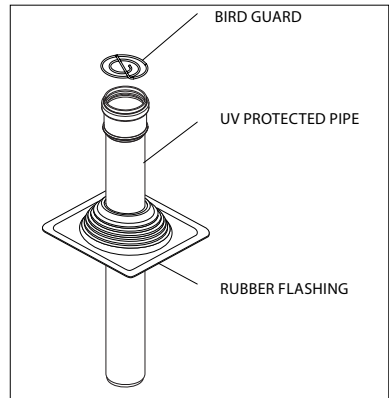


Figure 19

MAINTENANCE:

Have your venting system checked annually. This can be done easily by the same technician who inspects & services the appliance. Recommended areas to inspect are as follows:

1. Check areas of the Venting System which are exposed to the elements for wear or damage. If damage is found, the components should be replaced immediately.
2. Where possible, look into the Termination Cap to verify no foreign material is there to block the vent. Remove any foreign material found.
3. Inspect joints to verify that no Pipe Sections or Fittings have been disturbed, and consequently loosened. Also check mechanical supports such as Wall Straps for rigidity.

POLYPRO WARRANTY

M&G DuraVent, Inc. ("DuraVent") provides this warranty for PolyPro® for ten years. Subject to the limitations set forth below, DuraVent warrants that its products will be free from defects in material or manufacturing, if properly installed, maintained and used. DuraVent products are fully warranted if installed only by a professional installer. This Warranty is transferable from the original homeowner to the buyer of the home within the warranted ten years. This warranty does not cover normal wear and tear, smoke damage or damage caused by chimney fires, acts of God, or any product that was: (1) purchased other than from an authorized DuraVent dealer, retailer or distributor; (2) modified or altered; (3) improperly serviced, inspected or cleaned; or (4) subject to negligence or any use not in accordance with the installation instructions included with the product as determined by DuraVent.

Installation instructions are available online at www.duravent.com under Support/Literature and through our Customer Service Department 800-835-4429 or customerservice@duravent.com.

DuraVent provides the following warranties for PolyPro: One Hundred Percent (100%) MSRP 10 years from the date of purchase.

All warranty obligations of DuraVent shall be limited to repair or replacement of the defective product pursuant to the terms and conditions applicable to each product line. These remedies shall constitute DuraVent's sole obligation and sole remedy under this warranty. This warranty provides no cash surrender value. The terms and conditions of this warranty may not be modified, altered or waived by any action, inaction or representation, whether oral or in writing, except upon the express, written authority of an executive officer of DuraVent.

This product is intended for venting only category II & IV appliances burning Natural Gas, Propane and Oil. All other fuels are not covered under this warranty.

LIMITATIONS ON POLYPRO INTERNET SALES: Notwithstanding any other terms or conditions of this PolyPro Warranty, DuraVent provides no warranty for PolyPro® if it is not installed by a qualified professional installer.

DuraVent must be notified and given the opportunity to inspect defective product prior to replacement under the terms of this limited lifetime warranty. All warranty claims must be submitted with proof of purchase. Labor and installation costs are not covered under this warranty. To obtain warranty service contact: DuraVent Warranty Service, 877 Cotting Ct., Vacaville CA 95688, or call 800-835-4429.

WHERE LAWFUL, DURAVENT DISCLAIMS ALL OTHER WARRANTIES, INCLUDING BUT NOT LIMITED TO IMPLIED WARRANTIES OF MERCHANTABILITY AND FITNESS FOR A PARTICULAR PURPOSE. IN NO EVENT WILL DURAVENT BE LIABLE FOR INCIDENTAL, CONSEQUENTIAL, PUNITIVE OR SPECIAL DAMAGES OR DIRECT OR INDIRECT LOSS OF ANY KIND, INCLUDING BUT NOT LIMITED TO PROPERTY DAMAGE AND PERSONAL INJURY. DURAVENT'S ENTIRE LIABILITY IS LIMITED TO THE PURCHASE PRICE OF THIS PRODUCT. SOME STATES DO NOT ALLOW LIMITATIONS ON IMPLIED WARRANTIES, OR THE EXCLUSION OR LIMITATION OF INCIDENTAL OR CONSEQUENTIAL DAMAGES, SO THE ABOVE LIMITATIONS AND EXCLUSIONS MAY NOT APPLY TO YOU. THIS LIMITED WARRANTY GIVES YOU SPECIFIC LEGAL RIGHTS, AND YOU MAY ALSO HAVE OTHER RIGHTS THAT VARY FROM STATE TO STATE.

For the most up-to-date installation instructions, see www.duravent.com

REV 9.4.2012

DuraVent

Member of  M&G Group

Customer Service Support 800-835-4429 707-446-4740 FAX www.duravent.com

PolyPro® and GreenVent® are registered trademarks of M&G DuraVent, Inc.

All rights reserved, ©2012 M&G DuraVent is a member of M&G Group.