

26-1009LF Angle Supply Valve • Spec Sheet



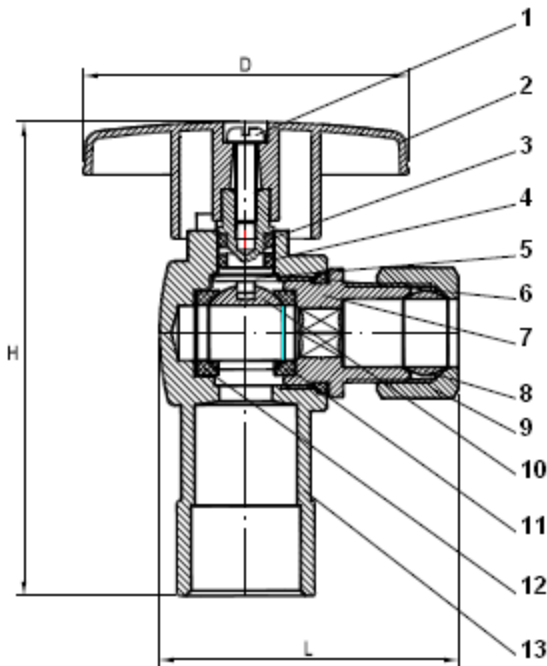
FEATURES & BENEFITS

- Chrome Plated Lead Free Brass*
- 1/4 Turn
- 1/2" Sweat X 3/8" OD Compression

DIMENSIONS

Part #	Size	H	L	D
26-1009PLF	1/2" Sweat X 3/8" OD Comp.	2.56	1.66	1.79

MATERIAL SPECIFICATIONS



No.	Part	Material
1	Bolt	Rod Carbon Steel SAE 1006
2	Handle	Zinc
3	O-Ring	Rubber SAE No 1052#
4	O-Ring	Rubber SAE No 1052#
5	Stem	Brass C89550
6	O-Ring	Rubber SAE No 1052#
7	Outlet Nut	Brass C89550
8	Sleeve	Brass C89550
9	Packing Nut	Brass C89550
10	Ball	Brass C89550
11	Packing	Plastic
12	Packing	Plastic
13	Body	Brass C89550

* This product complies with 0.25% weighted average lead content on wetted surfaces in accordance with CA AB1953.

