



SERVICE PARTS LIST

BULLETIN NO.
54-07-2235

SPECIFY CATALOG NO. AND SERIAL NO. WHEN ORDERING PARTS		REVISED BULLETIN	DATE
12 Volt Fork Meter			Oct. 2012
CATALOG NO.	2207-20	SERIAL NUMBER	C61A
			WIRING INSTRUCTION

EXAMPLE:

00	0
----	---

 Component Parts (Small #) Are Included
 When Ordering The Assembly (Large #).

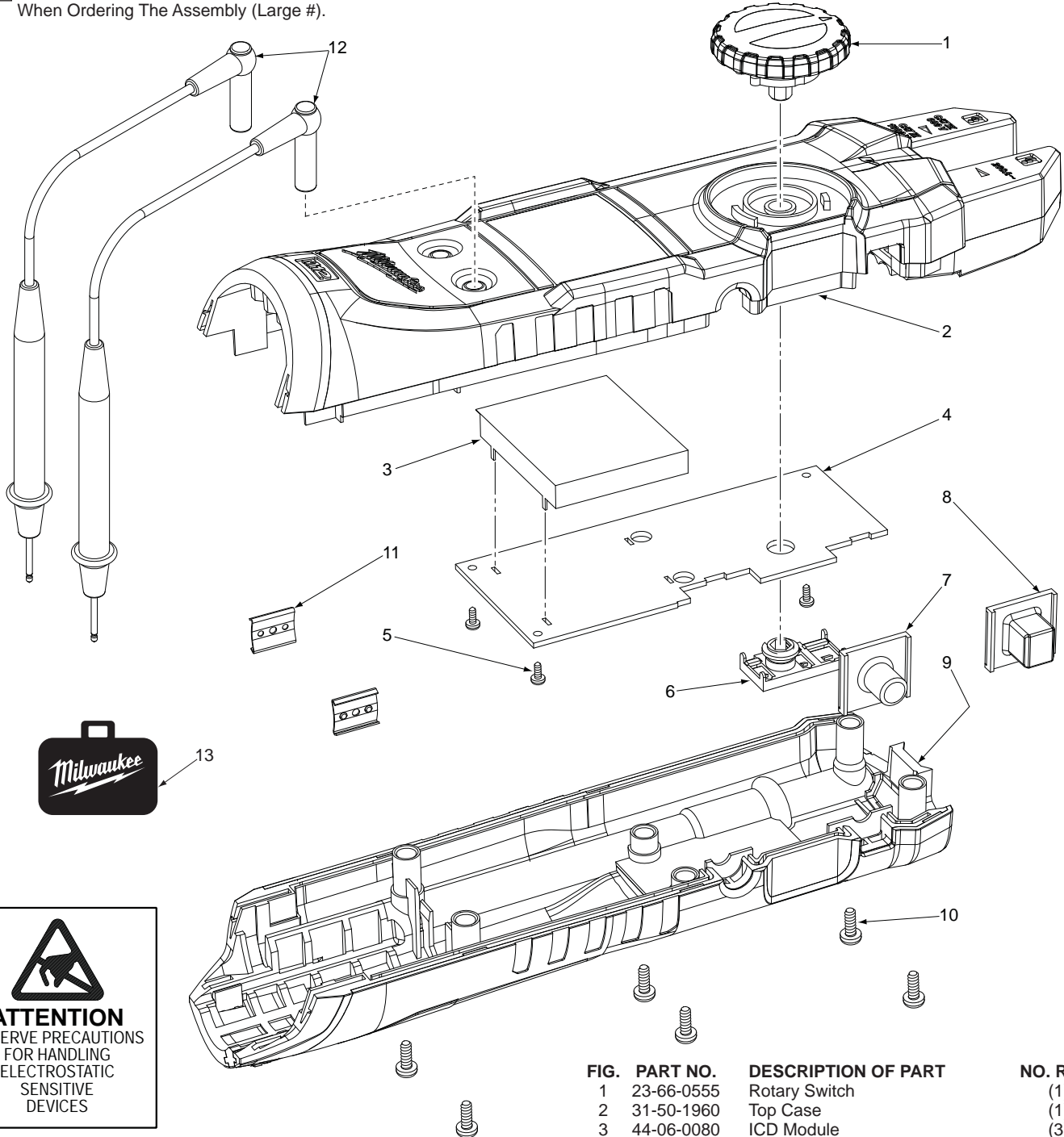


FIG.	PART NO.	DESCRIPTION OF PART	NO. REQ.
1	23-66-0555	Rotary Switch	(1)
2	31-50-1960	Top Case	(1)
3	44-06-0080	ICD Module	(3)
4	22-06-0170	Main PCB	(1)
5	05-81-0370	PCB Screw	(3)
6	22-58-0005	Rotary Contact	(1)
7	42-42-0925	Flashlight Button	(1)
8	42-42-0915	Hold Button	(1)
9	31-50-1965	Bottom Case	(1)
10	05-81-0365	Bottom Case Screw	(6)
11	42-70-0185	Clip	(2)
12	49-77-1001	Replacement Test Lead Set	(1)
13	48-55-0170	Soft Case	(1)