

Product Instructions



Viega Zone Control

Applications

The Viega Zone Control is a wiring and switching center for individual and / or multi- room control. The Zone Control simplifies wiring between Thermostats and Powerheads. LED lights on housing indicate individual zone heat demand. Available as a 4 or 6 zone, both with priority. Zone Control includes optional circulator activation function and built in transformer.

Features

- LED indicator lights
- 4 or 6 Zone Control options
- Simplified wiring
- Built in transformer

Specifications

	4 Zone	6 Zone
Control Input:	120/60/1vac 1.5A	120/60/1vac 3A
Control Output:	24 VAC class 2	24 VAC class 2
Transformer:	40 VA	2 x 40 VA
Fuse:	5 Amp Max	2 x 5 amp fuses
Pump End	1/6 hp, 5A	1/6 hp, 5A
Switch Rating:	@ 120 VAC	@ 120 VAC
Main / Priority End		
Switch Rating:	24 VAC, 1A	24 VAC, 1A
Powerheads:	8 per control	16 per control
Codes and Standards:	UL Approval	UL Approval

Operation

The green LED indicates that the control is powered on. When any thermostat calls for heat that corresponding yellow LED light is illuminated. A call for heat energizes the corresponding powerhead(s) and the end switch relays illuminating the red LED light.

Stock Code	Description	Width	Height	Depth
18060	4 Zone with priority	10.75"	7"	2.75"
18062	6 Zone with priority	12.25"	8"	3"

Warning

Wiring connections must be made in accordance with all applicable electrical codes. Use copper wire only with a minimum temperature rating of 75°C. Failure to follow this instruction can result in personal injury or death and / or property damage. 12 - 18 gauge wire recommended for 120 VAC connections, 14 - 22 gauge wire for 24 VAC connections.



Wiring Thermostats

1. Connect the "R" terminal of the thermostat to the "R" terminal of the Zone Control. "R" supplies power to the thermostat.
2. Connect the "W" terminal of the thermostat to the "W" terminal of the Zone Control. "W" is the switching signal.
3. Connect the "C" terminal of the thermostat to the "C" terminal of the Zone Control. "C" is common.

Wiring Powerheads

1. Connect the black wire of the powerhead to the "1" terminal of the Zone Control.
2. Connect the white wire of the powerhead to the "2" terminal of the Zone Control.
3. Connect a jumper from the "3" terminal to "4" terminal of the Zone Control.

NOTE: Factory jumper between 3 and 4 must remain in place for use with 2-wire Powerhead. Factory jumper between 3 and 4 must be removed for use with 4-wire Powerhead.

Priority Operation

Switching the DIP switch to Priority "ON" will cause all other zones to stop operation until the prioritized zone is satisfied. When Priority is "OFF" all zones work independently.

Viega... The global leader in plumbing, heating and pipe joining systems

301 N. Main, 9th Floor • Wichita, KS 67202 • Ph: 800-976-9819 • Fax: 316-425-7618 • www.viega.com

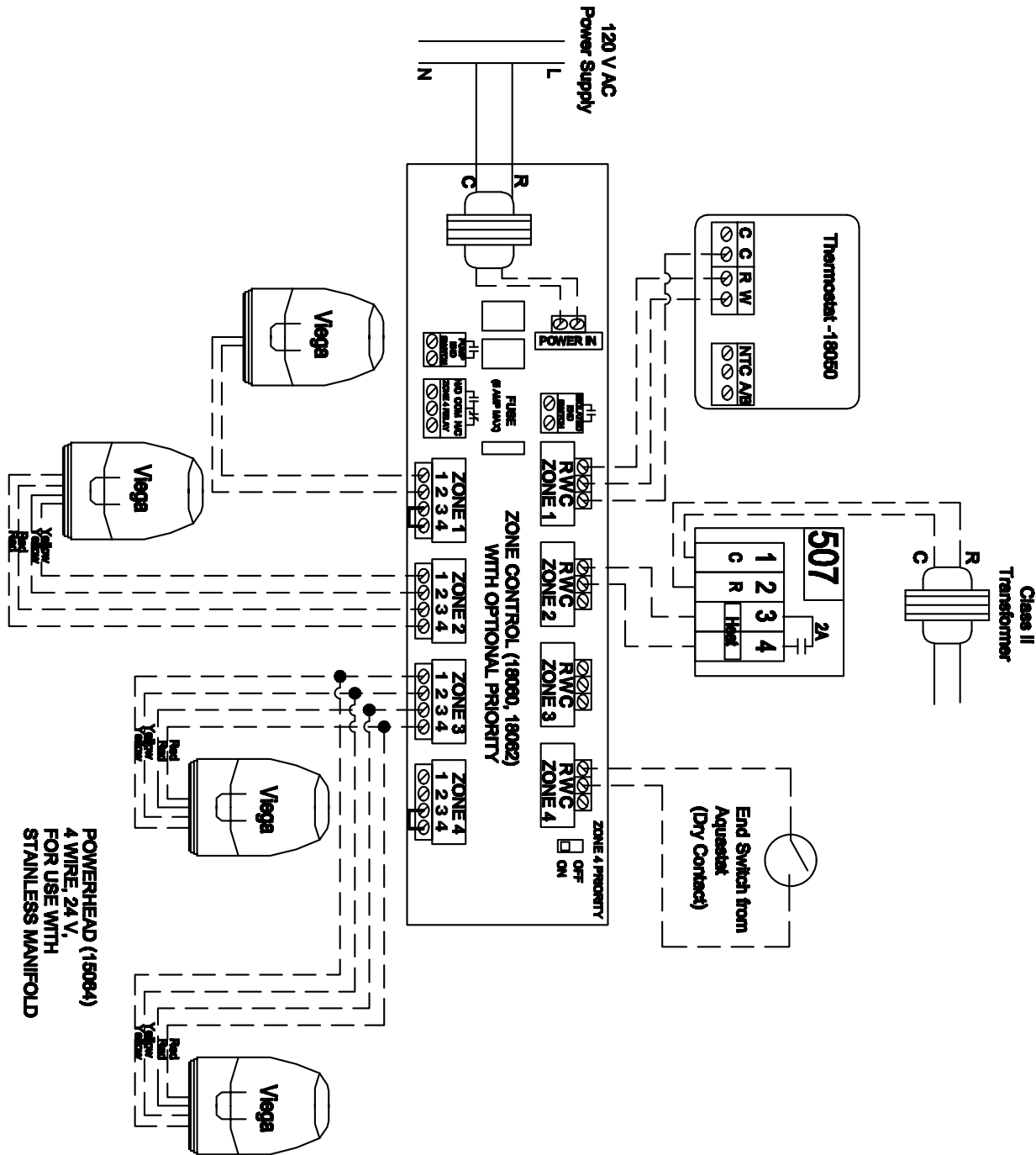
©2011, ProPress®, FostaPEX®, Seapress®, MegaPress®, MegaPressG® and Viega® are registered trademarks of Viega GmbH & Co. PureFlow®, Smart Connect®, Climate Panel®, Climate Mat®, Climate Trak®, MANABLOC®, Radiant Wizard®, S-no-Ice®, Snap Panel®, XL® and XL-C® are registered trademarks of Viega LLC. MiniBloc™, ProRadiant™, PolyAlloy™, SmartLoop™ and Zero Lead™ are trademarks of Viega LLC; GeoFusion™, ProPressG™ and ViegaPEX™ are trademarks of Viega GmbH & Co. KG.

PI-PR-560622 0212 (Zone Control)
No.9300-2856 RevA

Product Instructions

viega

Two Wire, Three Wire, Four Wire Thermostat Wiring



Viega... The global leader in plumbing, heating and pipe joining systems

301 N. Main, 9th Floor • Wichita, KS 67202 • Ph: 800-976-9819 • Fax: 316-425-7618 • www.viega.com

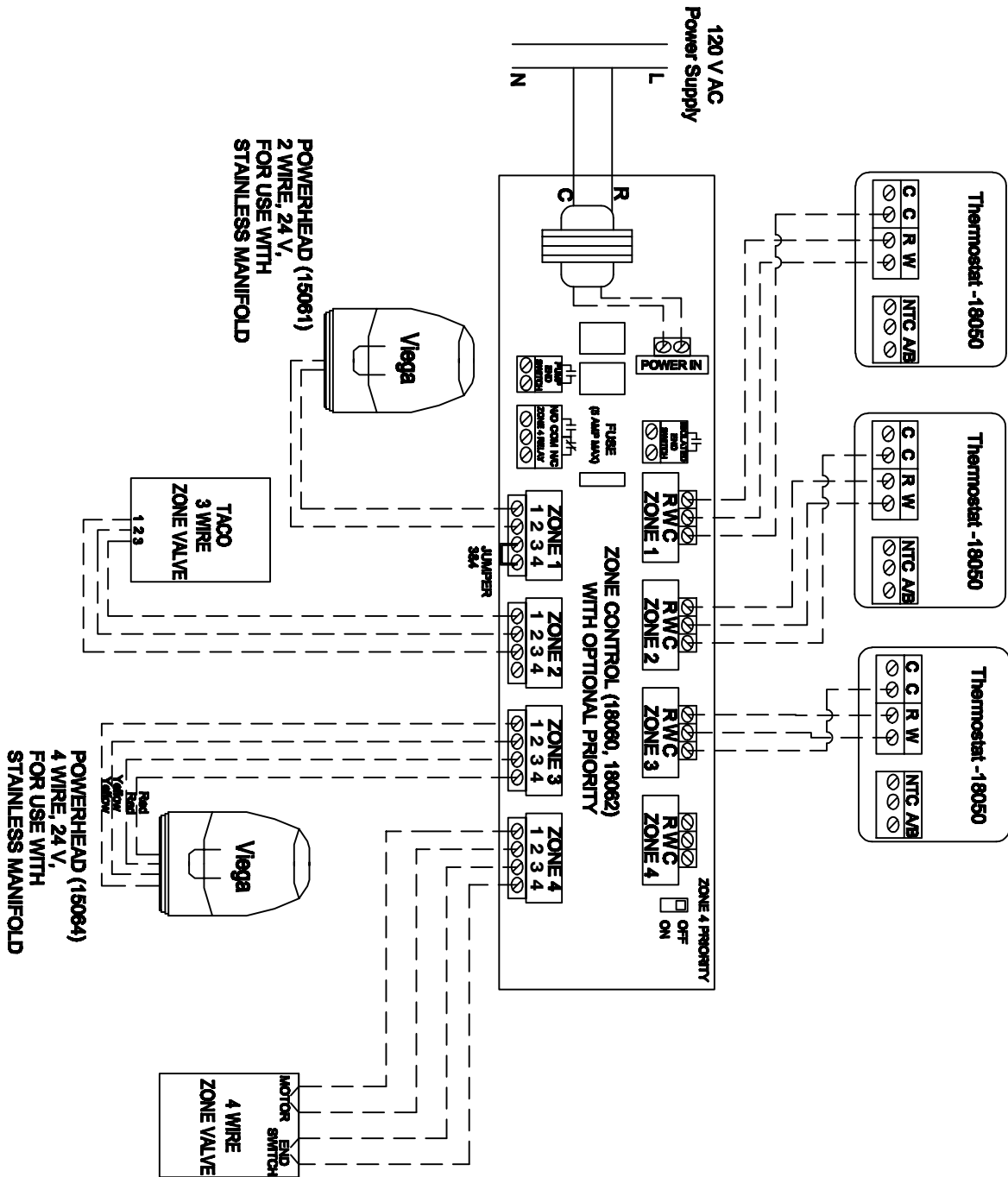
©2011, ProPress®, FostaPEX®, Seapress®, MegaPress®, MegaPressG® and Viega® are registered trademarks of Viega GmbH & Co. PureFlow®, Smart Connect®, Climate Panel®, Climate Mat®, Climate Trak®, MANABLOC®, Radiant Wizard®, S-no-Ice®, Snap Panel®, XL® and XL-C® are registered trademarks of Viega LLC. MiniBloc™, ProRadiant™, PolyAlloy™, SmartLoop™ and Zero Lead™ are trademarks of Viega LLC; GeoFusion™, ProPressG™ and ViegaPEX™ are trademarks of Viega GmbH & Co. KG.

PI-PR-560622 0212 (Zone Control)
No.9300-2856 RevA

Product Instructions

viEGA

Two Wire, Three Wire, Four Wire Zone Valves Wiring



ViEGA... The global leader in plumbing, heating and pipe joining systems

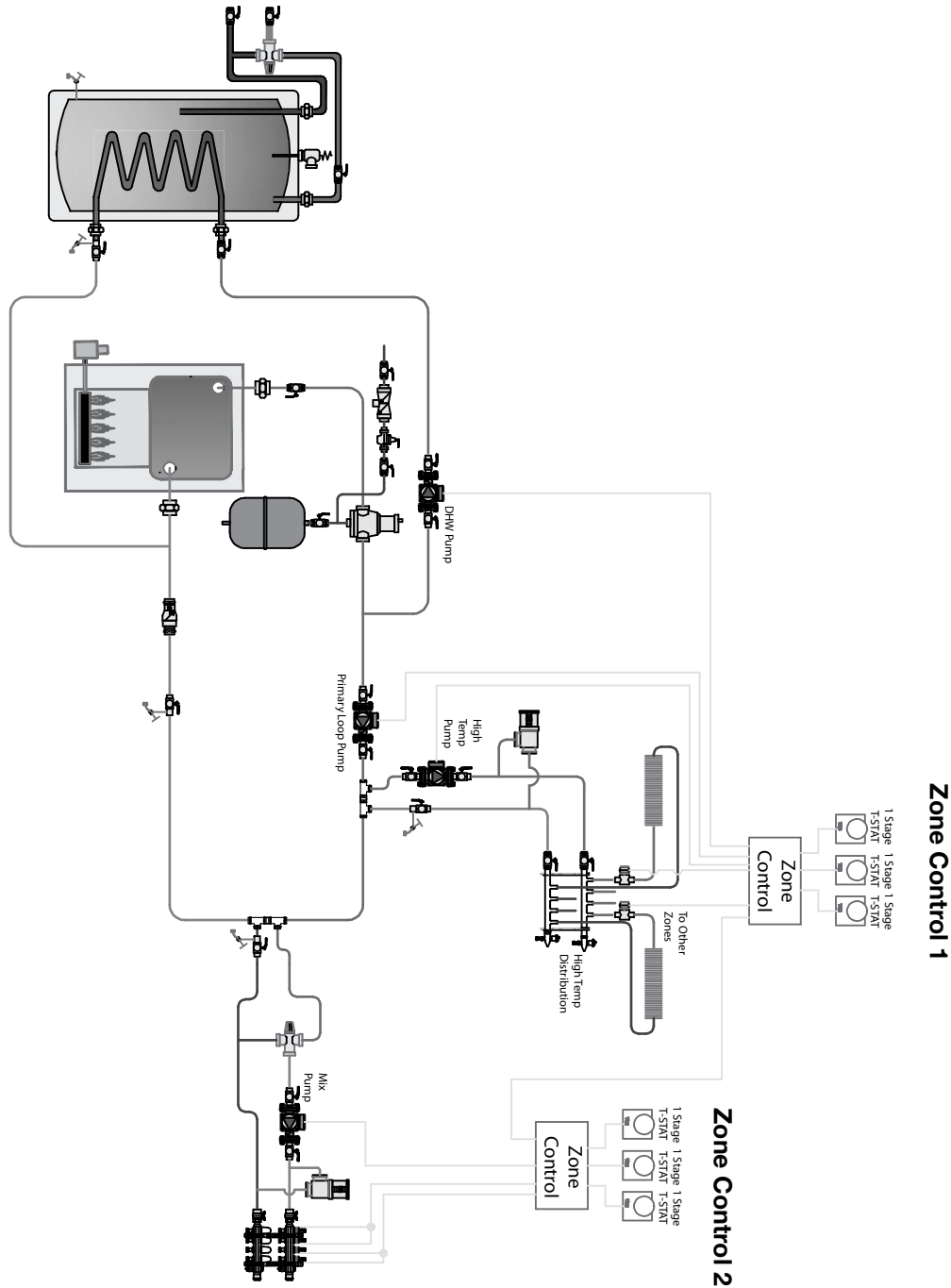
301 N. Main, 9th Floor • Wichita, KS 67202 • Ph: 800-976-9819 • Fax: 316-425-7618 • www.viega.com

©2011, ProPress®, FostaPEX®, Seapress®, MegaPress®, MegaPressG® and ViEGA® are registered trademarks of ViEGA GmbH & Co. PureFlow®, Smart Connect®, Climate Panel®, Climate Mat®, Climate Trak®, MANABLOC®, Radiant Wizard®, S-no-Ice®, Snap Panel®, XL® and XL-C® are registered trademarks of ViEGA LLC. MiniBloc™, ProRadiant™, PolyAlloy™, SmartLoop™ and Zero Lead™ are trademarks of ViEGA LLC; GeoFusion™, ProPressG™ and ViEGAPEX™ are trademarks of ViEGA GmbH & Co. KG.

Product Instructions

viega

Schematics



Viega... The global leader in plumbing, heating and pipe joining systems

301 N. Main, 9th Floor • Wichita, KS 67202 • Ph: 800-976-9819 • Fax: 316-425-7618 • www.viega.com

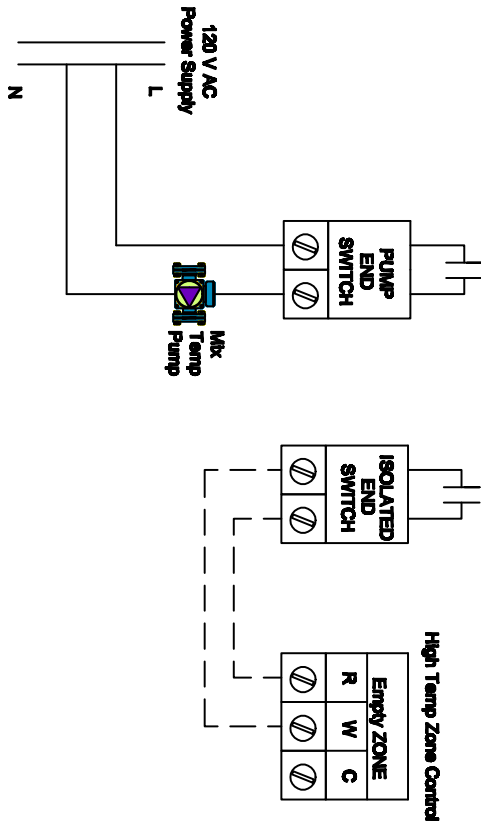
©2011, ProPress®, FostaPEX®, Seapress®, MegaPress®, MegaPressG® and Viega® are registered trademarks of Viega GmbH & Co. PureFlow®, Smart Connect®, Climate Panel®, Climate Mat®, Climate Trak®, MANABLOC®, Radiant Wizard®, S-no-Ice®, Snap Panel®, XL® and XL-C® are registered trademarks of Viega LLC. MiniBloc™, ProRadiant™, PolyAlloy™, SmartLoop™ and Zero Lead™ are trademarks of Viega LLC; GeoFusion™, ProPressG™ and ViegaPEX™ are trademarks of Viega GmbH & Co. KG.

PI-PR-560622 0212 (Zone Control)
No.9300-2856 RevA

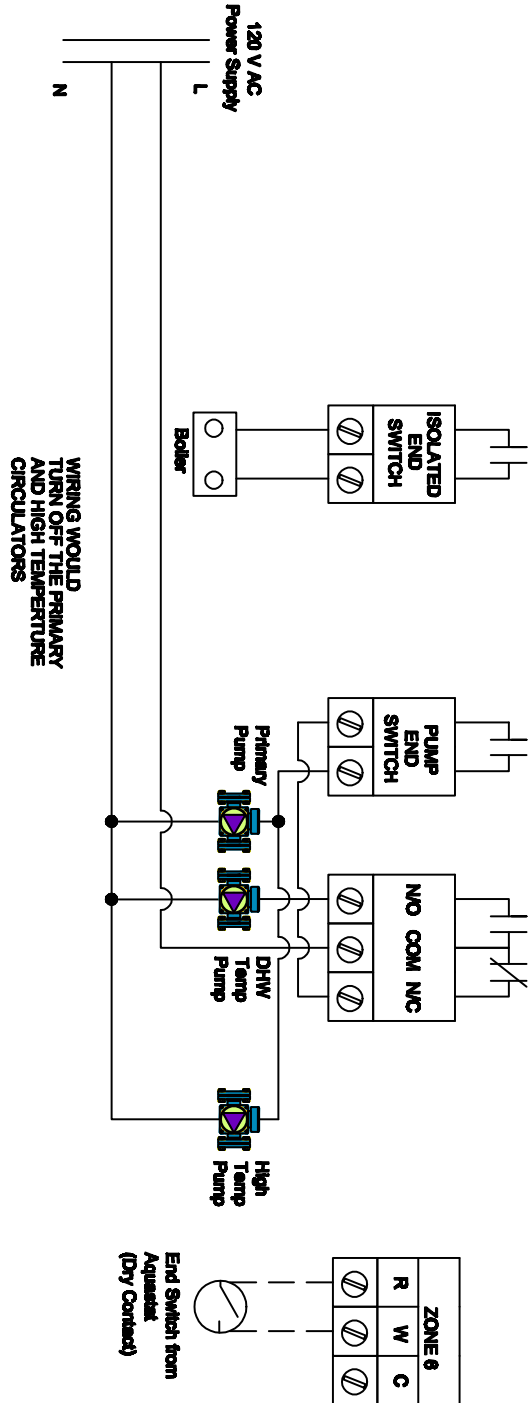
Product Instructions

viega

Electrical Priority Detail 1



Zone Control 2



Zone Control 1

Viega... The global leader in plumbing, heating and pipe joining systems

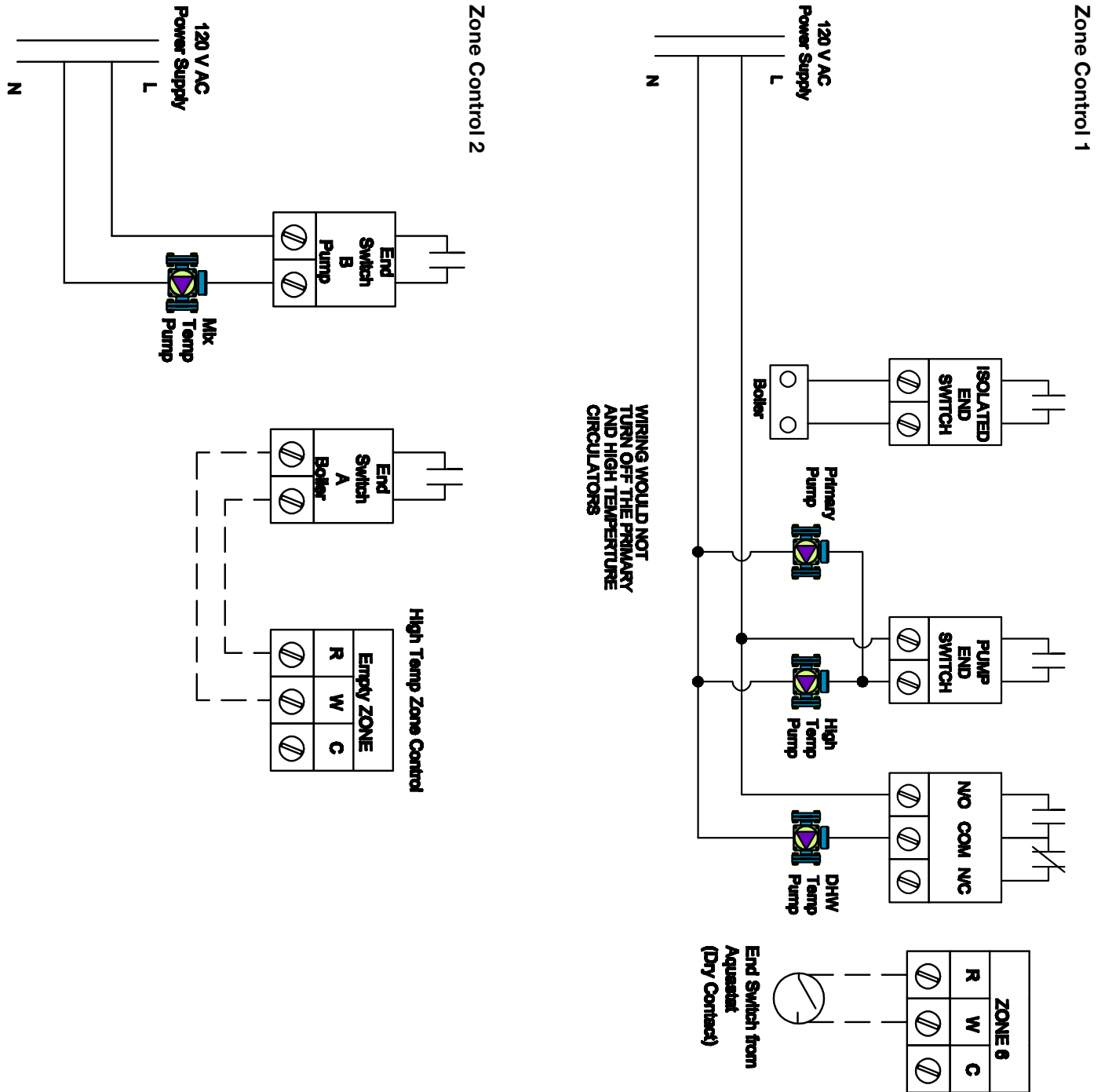
301 N. Main, 9th Floor • Wichita, KS 67202 • Ph: 800-976-9819 • Fax: 316-425-7618 • www.viega.com

©2011, ProPress®, FostaPEX®, Seapress®, MegaPress®, MegaPressG® and Viega® are registered trademarks of Viega GmbH & Co. PureFlow®, Smart Connect®, Climate Panel®, Climate Mat®, Climate Trak®, MANABLOC®, Radiant Wizard®, S-no-Ice®, Snap Panel®, XL® and XL-C® are registered trademarks of Viega LLC. MiniBloc™, ProRadiant™, PolyAlloy™, SmartLoop™ and Zero Lead™ are trademarks of Viega LLC; GeoFusion™, ProPressG™ and ViegaPEX™ are trademarks of Viega GmbH & Co. KG.

Product Instructions

viega

Electrical No Priority Detail 1



Viega... The global leader in plumbing, heating and pipe joining systems

301 N. Main, 9th Floor • Wichita, KS 67202 • Ph: 800-976-9819 • Fax: 316-425-7618 • www.viega.com

©2011, ProPress®, FostaPEX®, Seapress®, MegaPress®, MegaPressG® and Viega® are registered trademarks of Viega GmbH & Co. PureFlow®, Smart Connect®, Climate Panel®, Climate Mat®, Climate Trak®, MANABLOC®, Radiant Wizard®, S-no-Ice®, Snap Panel®, XL® and XL-C® are registered trademarks of Viega LLC. MiniBloc™, ProRadiant™, PolyAlloy™, SmartLoop™ and Zero Lead™ are trademarks of Viega LLC; GeoFusion™, ProPressG™ and ViegaPEX™ are trademarks of Viega GmbH & Co. KG.