



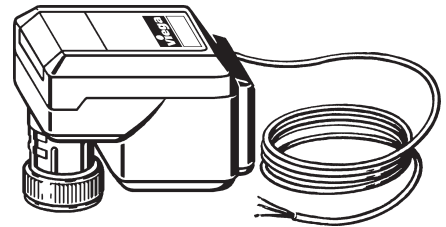
Three Position Actuator for Stations

Applications

The Three Position Actuator for Stations is designed to provide floating action control of Viega Mixing or Injection Stations and diverting valves. The actuator is used in electronic temperature control systems which use hot and/or cold water as the controlled medium in radiant heating systems, snowmelting, or other temperature mixing applications. The actuator is designed for operation by any 24V floating signal controller such as the Viega Basic Heating (stock code 16015) or Advanced Heating (stock code 16014).

Features

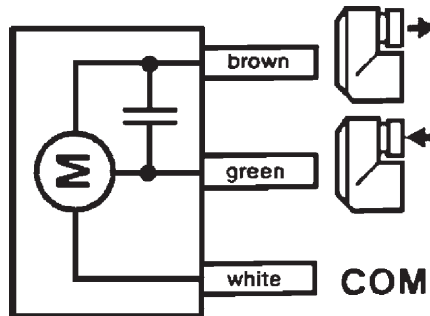
- Small size allows installation where space is limited
- Maintenance free actuator in plastic housing
- Synchronous motor
- Magnetic coupling for torque limitation independent of voltage
- Suitable for 3-position modulating control (floating) without proportional feedback
- No tools required for mounting



Specifications

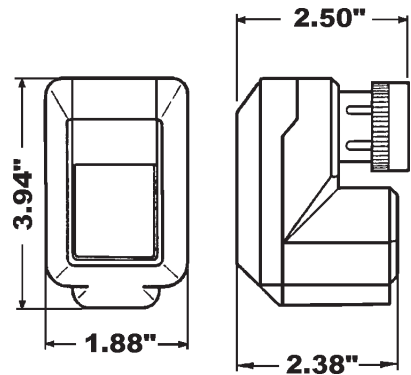
Power supply: 24 VAC, 50/60 Hz
 Power consumption: 0.7 VA
 Control mode: 3-position (floating)
 Stroke: 0.25 inches
 Running time: 150 sec at 50 Hz
 120 sec at 60 Hz
 (70 sec for full valve travel)
 Stem force: 40 lbs
 Connecting cable: 5 ft
 Ambient Temp. Limits: 32 - 140°F
 Weight: 0.33 lbs
 Mounting thread: M30 x 1.0

Wiring Diagram



Green wire: open valve (warmer water)
 Brown wire: close valve (cooler water)
 White wire: ground

Dimensions



VIEGA
 301 N. Main, Floor 9
 Wichita, KS 67202
 Phone: 1-877-VIEGA-NA
 Fax: 1-800-976-9817

service@viega.com
 www.viega.com