

# Product Instructions

viEGA

## 3 Position Actuator for Stations

### Applications

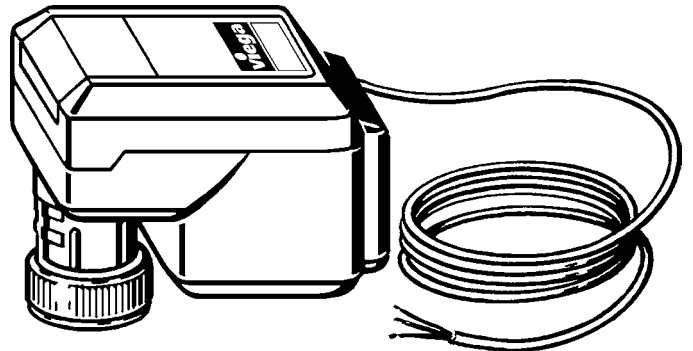
The Three Position Actuator for Stations is designed to provide floating action control of Viega Mixing Stations, Enhanced Mixing Stations and diverting valves. The actuator is used in electronic temperature control systems which use hot and/or cold water as the controlled medium in radiant heating systems, snowmelting, or other temperature mixing applications. The actuator is designed for operation by any 24V floating signal controller such as the Basic Heating Control.

### Features

- Small size allows installation where space is limited
- Maintenance free actuator in plastic housing
- Synchronous motor
- Magnetic coupling for torque limitation independent of voltage
- Suitable for 3-position modulating control (floating) without proportional feedback
- No tools required for mounting

### Specifications

Power supply:	24 VAC, 50/60 Hz
Power consumption:	0.7 VA
Control mode:	3-position (floating)
Stroke:	0.25 inches
Running time:	150 sec at 50 Hz 120 sec at 60 Hz (70 sec for full valve travel)
Stem force:	40 lbs
Connecting cable:	5 ft
Ambient Temp.	Limits: 32 - 140°F
Weight:	0.33 lbs
Mounting thread:	M30 x 1.0



stock code # 18003

**Viega... The global leader in plumbing, heating and pipe joining systems**

301 N. Main, 9th Floor • Wichita, KS 67202 • Ph: 800-976-9819 • Fax: 316-425-7618 • [www.viega.com](http://www.viega.com)

©2011, ProPress®, FostaPEX®, Seapress®, MegaPress®, MegaPressG® and Viega® are registered trademarks of Viega GmbH & Co. PureFlow®, Smart Connect®, Climate Panel®, Climate Mat®, Climate Trak®, MANA-BLOC®, Radiant Wizard®, S-no-Ice®, Snap Panel®, XL® and XL-C® are registered trademarks of Viega LLC. MiniBloc®, ProRadiant®, PolyAlloy®, SmartLoop®, GeoFusion®, and Zero Lead® are trademarks of Viega LLC; GeoFusion®, ProPressG® and ViegaPEX® are trademarks of Viega GmbH & Co. KG.

# Product Instructions

viEGA

## Operation

The movement of the electric actuator is produced by the rotation of a screw spindle which is driven in both directions by a synchronous motor through a set of gears. A magnetic coupling limits the torque of the gear assembly and the driving force of the actuator. The actuator is fixed to the valve body by means of a coupling ring requiring no tools for mounting. The actuator is maintenance free and supplied complete with a ready-to-wire connecting cable.

## Mounting

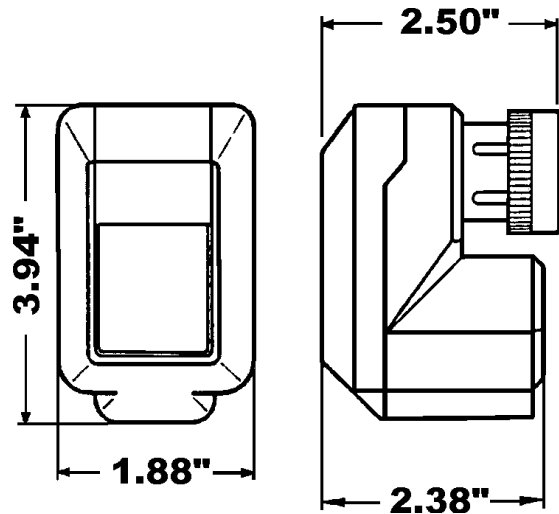
For ease of installation, make sure that the actuator is in the open position (factory supplied) before fixing the actuator to the valve body. Thread the nut hand tight only (do not use pliers or a wrench).

## Troubleshooting

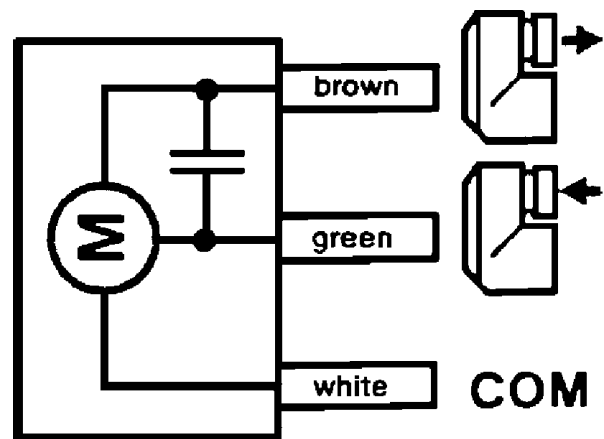
A functional check of the valve actuator can be made by suddenly changing the heating curve adjustment. The movement of the actuator stem indicates whether the valve is opening or closing.

If the direction of travel is incorrect, the green and brown wires should be exchanged.

## Dimensions



## Wiring Diagram



**Green wire: open valve (warmer water)**  
**Brown wire: close valve (cooler water)**  
**White wire: ground**

**Viega... The global leader in plumbing, heating and pipe joining systems**

301 N. Main, 9th Floor • Wichita, KS 67202 • Ph: 800-976-9819 • Fax: 316-425-7618 • [www.viega.com](http://www.viega.com)

©2011, ProPress®, FostaPEX®, Seapress®, MegaPress®, MegaPressG® and Viega® are registered trademarks of Viega GmbH & Co. PureFlow®, Smart Connect®, Climate Panel®, Climate Mat®, Climate Trak®, MANA-BLOC®, Radiant Wizard®, S-no-Ice®, Snap Panel®, XL® and XL-C® are registered trademarks of Viega LLC. MiniBloc®, ProRadiant®, PolyAlloy®, SmartLoop®, GeoFusion®, and Zero Lead® are trademarks of Viega LLC. GeoFusion™, ProPressG™ and ViegaPEX™ are trademarks of Viega GmbH & Co. KG.