

MODEL 950XLT, 950XLTD

WILKINS®

a ZURN® company

Double Check Backflow Preventers 3/4" to 2"

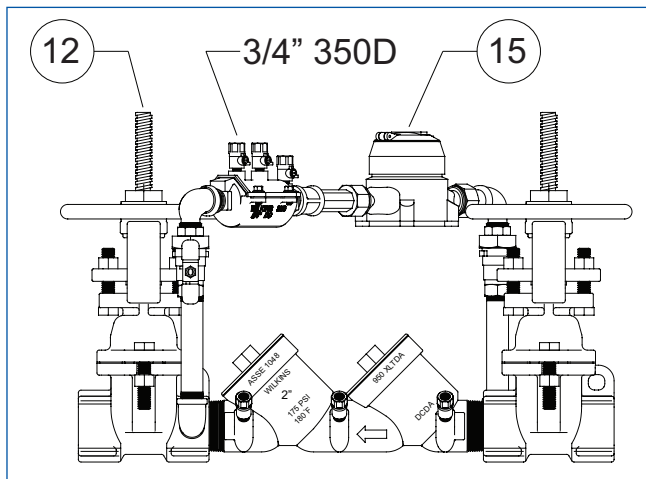
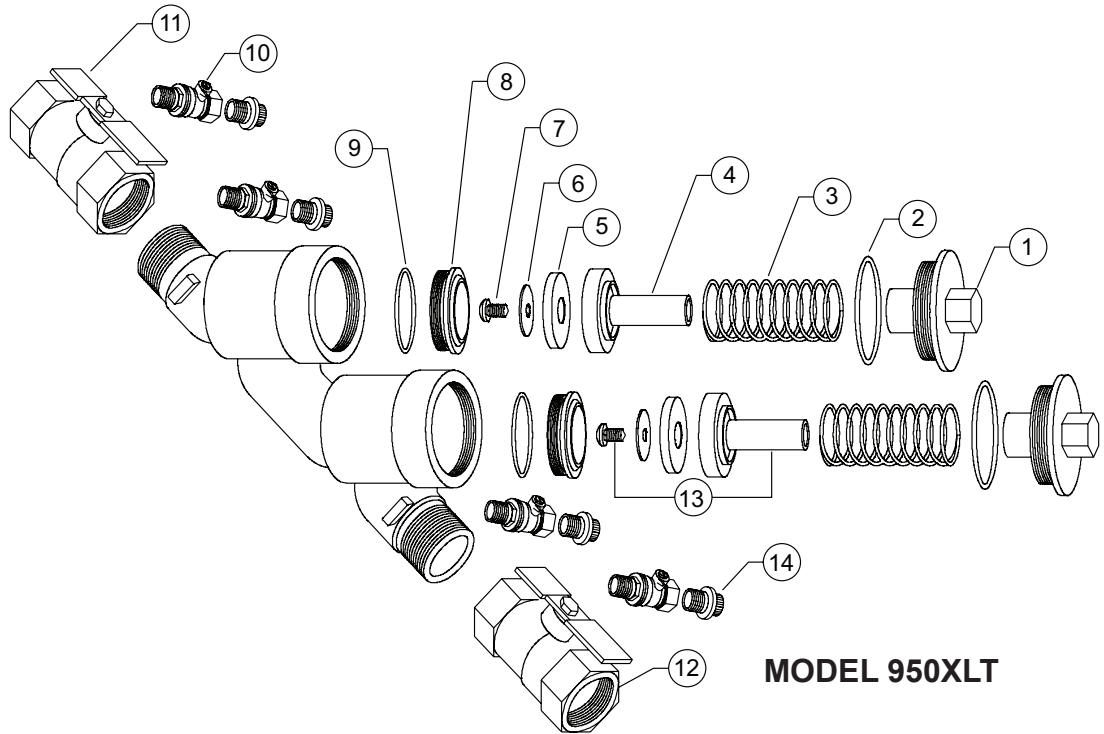
ITEM NO.	DESCRIPTION	3/4"	1"	1 1/4"	1 1/2"	2"	2" XLTDA(BF)	3/4" 350D (BY-PASS)
1	CHECK COVER	952-3XL2-010F	952-3XL2-010F	954-3XL2-010F	954-3XL2-010F	954-3XL2-010F	954-3XL2-010F	N/A
2	O-RING, COVER	136N	136N	153N	153N	153N	153N	N/A
3	CHECK SPRING	952-33	952-33	554-33	554-33	554-33	956-33DA	352DA-33
4	POPPET	952-30-010F	952-30-010F	954-30-010F	954-30-010F	954-30-010F	954-30-010F	352-30
5	SEAL RING	952-12S	952-12S	954-12S	954-12S	954-12S	954-12S	N/A
6	SEAL RING RETAINER	952-14	952-14	954-14	954-14	954-14	954-14	N/A
7	RETAINING BOLT	952-11	952-11	952-11	952-11	952-11	952-11	N/A
8	CHECK SEAT #1	952-18T	952-18T	954-18T	954-18T	954-18T	954-18T	352-18A
	CHECK SEAT #2	952-18T	952-18T	954-18T	954-18T	954-18T	954-18T	352-18B
9	O-RING, CHECK SEAT #1	WK-125N	WK-125N	136N	136N	136N	136N	WK-125N
	O-RING, CHECK SEAT #2	WK-125N	WK-125N	136N	136N	136N	136N	126N
10	TEST COCK	18-860	18-860	14-860	14-860	14-860	14-860	18-860
11	BALL VALVE, TAPPED	34-850T	1-850T	114-850T	112-850T	2-850T	N/A	34-850T
12	BALL VALVE	34-850	1-850	114-850	112-850	2-850	N/A	34-850
	GATE VALVE (XLTD)	N/A	N/A	N/A	N/A	N/A	2-48OSYCIT	N/A
	BUTTERFLY VALVE, TAPPED**	N/A	N/A	114-49BRT	112-49BRT	2-49BRT	2-49BRT	N/A
	BUTTERFLY VALVE**	N/A	N/A	114-49BR	112-49BR	2-49BR	2-49BR	N/A
13	POPPET ASSEMBLY #1	952-300S	952-300S	954-300S	954-300S	954-300S	954-300S	352-300C
	POPPET ASSEMBLY #2	952-300S	952-300S	954-300S	954-300S	954-300S	954-300S	352-300D
14	TEST COCK CAP PLUG	2-7P	2-7P	2-7P	2-7P	2-7P	2-7P	2-7P
*	HOUSING	N/A	N/A	N/A	N/A	N/A	N/A	352-1A
*	O-RING, HOUSING INLET	N/A	N/A	N/A	N/A	N/A	N/A	214N
*	O-RING, HOUSING OUTLET	N/A	N/A	N/A	N/A	N/A	N/A	223N
*	HOUSING SCREWS	N/A	N/A	N/A	N/A	N/A	N/A	352-11
	HOUSING ASSEMBLY	N/A	N/A	N/A	N/A	N/A	N/A	RK34-350DV
15	WATER METER, 5/8"	N/A	N/A	N/A	N/A	N/A	557-54	N/A
	CHECK SEAT TOOL	972-SEATTOOL		974-SEATTOOL				N/A

* SEE 3/4" MODEL 350.

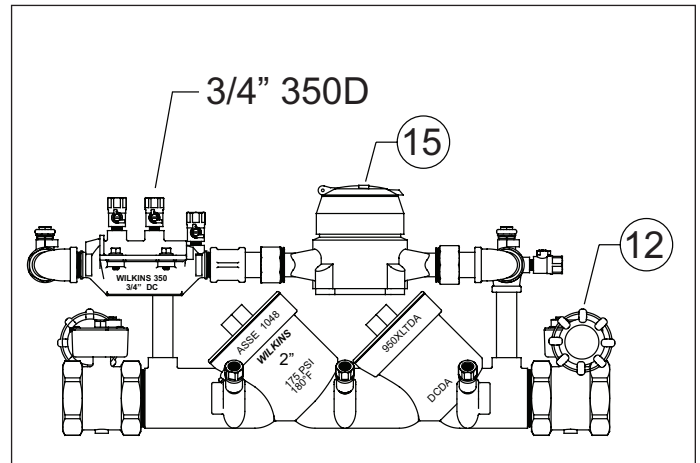
**INTEGRAL SUPERVISORY SWITCH OPTION AVAILABLE

REPAIR KITS

RK34-950XL			REPAIR KIT, RUBBER & SPRINGS MODEL 950XLT, 3/4" & 1" Only			RK114-950XL			REPAIR KIT, RUBBER & SPRINGS MODEL 950XLT, 1 1/4", 1 1/2", 2" Only		
PART NO.	QTY.	DESCRIPTION	PART NO.	QTY.	DESCRIPTION	PART NO.	QTY.	DESCRIPTION	PART NO.	QTY.	DESCRIPTION
952-12S	2	SEAL RING	954-12S	2	SEAL RING						
136N	2	O-RING, COVER	153N	2	O-RING, COVER						
952-33	2	CHECK SPRING	554-33	2	CHECK SPRING						
RK34-950XLR			REPAIR KIT, RUBBER MODEL 950XLT, 3/4" & 1" Only			RK114-950XLR			REPAIR KIT, RUBBER MODEL 950XLT, 1 1/4", 1 1/2", 2" Only		
PART NO.	QTY.	DESCRIPTION	PART NO.	QTY.	DESCRIPTION	PART NO.	QTY.	DESCRIPTION	PART NO.	QTY.	DESCRIPTION
952-12S	2	SEAL RING	954-12S	2	SEAL RING						
136N	2	O-RING, COVER	153N	2	O-RING, COVER						



MODEL 950XLTD



MODEL 950XLTDAB

REPAIR KITS

RK34-950XLSK			RK114-950XLSK		
SEAT REPAIR KIT			SEAT REPAIR KIT		
MODEL 950XLT, 3/4" & 1" Only			MODEL 950XLT, 1 1/4", 1 1/2", 2" Only		
PART NO.	QTY.	DESCRIPTION	PART NO.	QTY.	DESCRIPTION
952-18T	2	CHK SEAT, 3/4" XLT	954-18T	2	CHK SEAT, 1 1/4" - 2" 950XLT
WK-125N	2	O-RING	136N	2	O-RING

RK34-350D			RK34-350DV			RK2-950XLTD		
REPAIR KIT, COMPLETE			REPAIR KIT, VESSEL			REPAIR KIT, SPRINGS		
MODEL 350D, 3/4"			MODEL 350D 3/4"			MODEL 950XLTD(BF) 2"		
PART NO.	QTY.	DESCRIPTION	PART NO.	QTY.	DESCRIPTION	PART NO.	QTY.	DESCRIPTION
352-300C	1	#1 CHECK ASSY	RK34-350DV	1	HOUSING ASSY	954-12S	2	SEAL RING
352-300D	1	#2 CHECK ASSY				153N	2	O-RING, COVER
214N	1	O-RING, HOUSING INLET				956-33DA	2	CHECK SPRING
223N	1	O-RING, HOUSING OUTLET						