

For Residential and Commercial Applications

Job Name _____

Contractor _____

Job Location _____

Approval _____

Engineer _____

Contractor's P.O. No. _____

Approval _____

Representative _____

Series 45

Brass Quick-Connect Connectors

Sizes: 1/2" - 1" (15 - 25mm)

Watts Series 45 Quick-Connect fittings are designed and manufactured for many years of trouble free service. Series 45 fittings are manufactured from brass and incorporate the proven Watts Quick-Connect patented (7,354,079 B2) O-ring and Collet design which allows for quick and easy connections without the use of installation or disconnection tools.

Specifications

Connection shall be made using Watts Series 45 Brass Quick-Connect fittings with integral Collet and O-ring guide. Fitting shall be able to fully rotate under pressure and allow for easy disconnect and reuse without tools.

Approvals



ASSE 1061-2006, NSF/ANSI 14, NSF/ANSI 61
CSA B137.5, ASTM F877

Ratings

80psi @ 240°F (5.2 bar @ 116°C)
250psi @ 75°F (17.3 bar @ 24°C)

Notes

For compliance to ASSE 1061 a pipe insert (provided) must be used with each connection when joining PEX pipe.

A collet cover is provided for each CTS connection and is intended to prevent accidental disconnection of fitting during pull-through installations while the system is unpressurized. To disconnect the fitting, manually remove the collet cover and depress the collet.



4510B



4501B



4515B

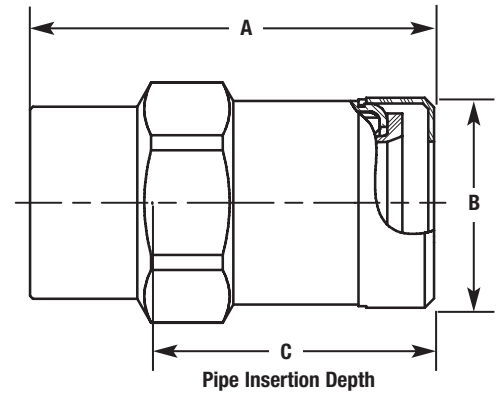


4515RB

Dimensions

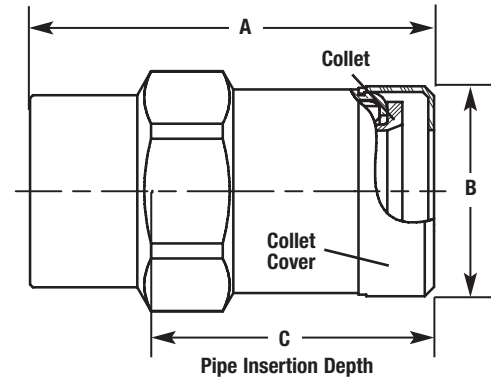
Male Connector – Type 01 CTS X MNPT

FITTING	SIZE						WEIGHT			
	in.	mm	A		B		C		lbs.	kgs.
4501B-1008	1/2	15	2 3/16	55	1 1/16	28	1 1/2	37	.26	.12
4501B-1412	3/4	20	2 7/16	62	1 3/8	35	1 11/16	43	.34	.15
4501B-1812	1 x 3/4	25 x 20	2 1/2	64	1 5/8	41	1 3/4	45	.32	.14
4501B-1816	1	25	2 5/8	67	1 3/4	42	1 3/4	45	.49	.22



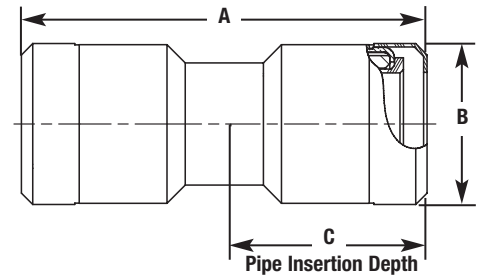
Female Connector – Type 10 CTS X FNPT

FITTING	SIZE						WEIGHT			
	in.	mm	A		B		C		lbs.	kgs.
4510B-1008	1/2	15	2 1/8	53	1 1/16	28	1 1/2	37	.26	.12
4510B-1412	3/4	20	2 7/16	62	1 3/8	35	1 11/16	43	.38	.17
4510B-1812	1 x 3/4	25 x 20	2 1/2	64	1 5/8	41	1 3/4	45	.53	.24
4510B-1816	1	25	2 9/16	65	1 3/4	42	1 3/4	45	.53	.24



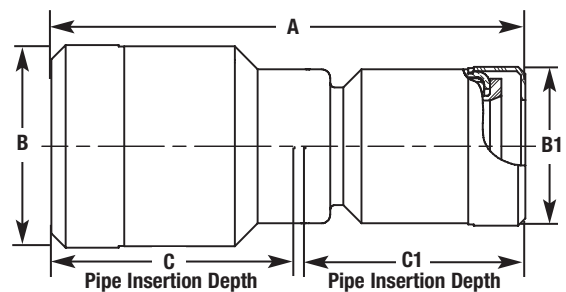
Union Connector – Type 15 CTS X CTS

FITTING	SIZE						WEIGHT			
	in.	mm	A		B		C		lbs.	kgs.
4515B-10	1/2	15	3 1/16	77	1 1/16	28	1 1/2	37	.21	.10
4515B-14	3/4	20	3 1/2	89	1 3/8	35	1 11/16	43	.33	.15
4515B-18	1	25	3 5/8	92	1 5/8	42	1 3/4	45	.42	.19



Reducing Union Connector – Type 15R CTS X CTS

FITTING	SIZE										WEIGHT			
	in.	mm	A		B		B1		C		C1		lbs.	kgs.
4515RB-1410	3/4 x 1/2	20 x 15	3 1/4	83	1 3/8	35	1 1/16	28	1 11/16	43	1 1/2	37	.27	.12
4515RB-1814	1 x 3/4	25 x 20	3 9/16	90	1 3/8	42	1 3/8	35	1 3/4	45	1 11/16	43	.38	.17



WATTS®

Quick-Connect Plumbing Solutions



ISO 9001-2000
CERTIFIED

USA: 815 Chestnut St., No. Andover, MA 01845-6098; www.watts.com

Canada: 5435 North Service Rd., Burlington, ONT. L7L 5H7; www.wattscanada.ca