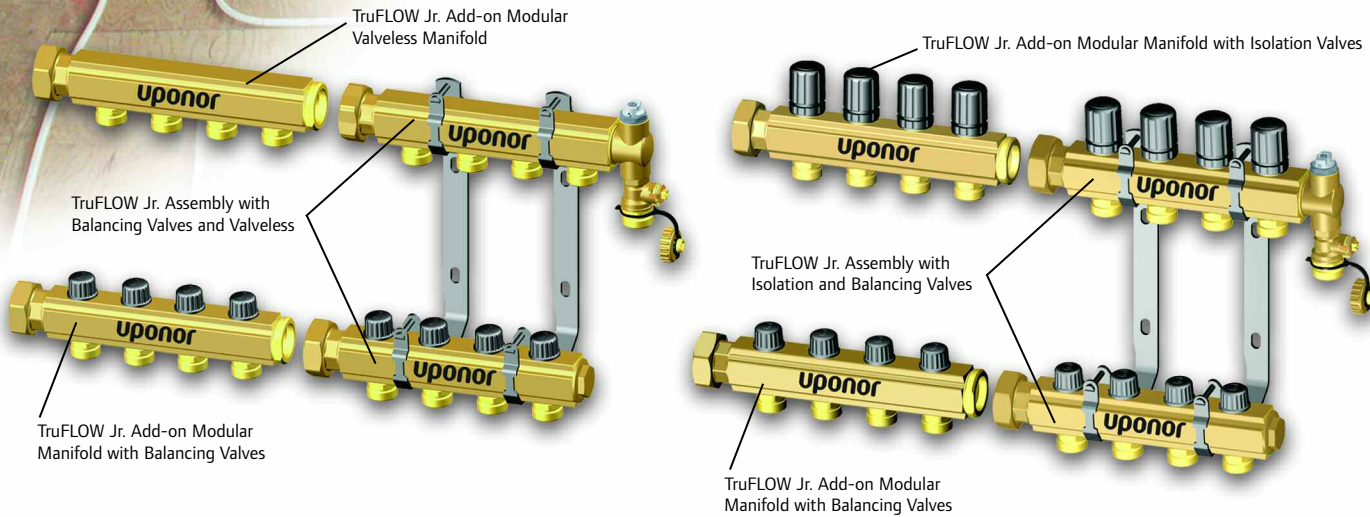
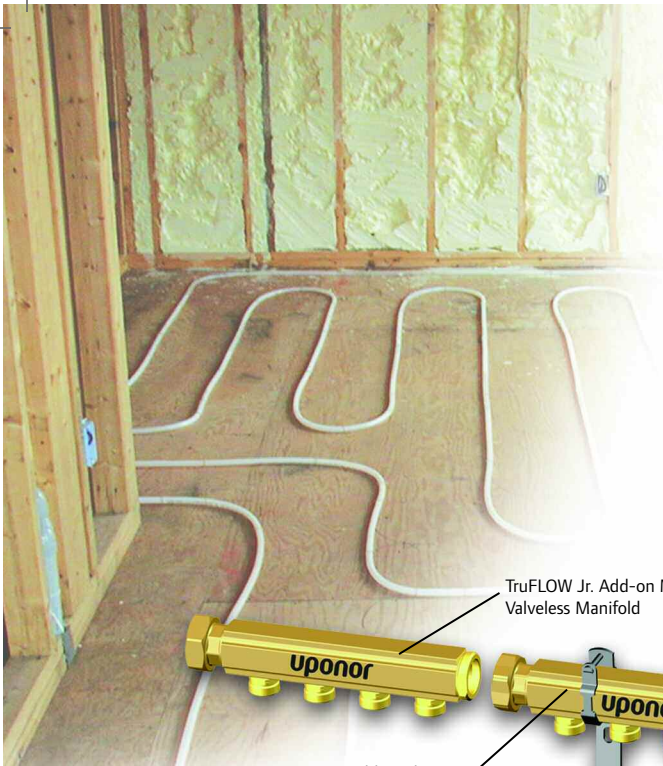




RADIANT HEATING SYSTEMS

TRUFLOW™ JR. MANIFOLD SYSTEM

CUT SHEET



# TruFLOW™ Jr. Manifold System

The TruFLOW™ Jr. Manifold system features two versions of manifolds — assemblies and add-on modular manifolds.

The assemblies come in the following two configurations.

- With Isolation and Balancing Valves
- With Balancing Valves and Valveless

The add-on modular manifolds come in 2-, 3- and 4-loop manifold segments and are available in the following three configurations.

- With Balancing Valves
- With Isolation Valves
- Valveless

The manifold with isolation valves allows connection to either the Uponor Thermal Actuator or Motorized Valve Actuator.

For supply and return connections, the manifolds use R32 unions to

accommodate any of Uponor's manifold adapters, allowing quick and easy connections to Wirsbo hePEX™ plus and Uponor multi-layer composite (MLC) tubing (formerly MultiCor®) as well as copper piping.

The manifolds feature o-ring sealed connections to ensure a leak-resistant and secure connection. Additionally, the manifolds include calibrated balancing valves to accurately balance flow and temperature in all radiant loops.

The internal diameter (i.d.) of the manifold body is 1 3/16" and easily allows up to 14 gallons per minute (gpm). The loop outlets have a flow coefficient (C<sub>v</sub>) of 1.9 gpm.

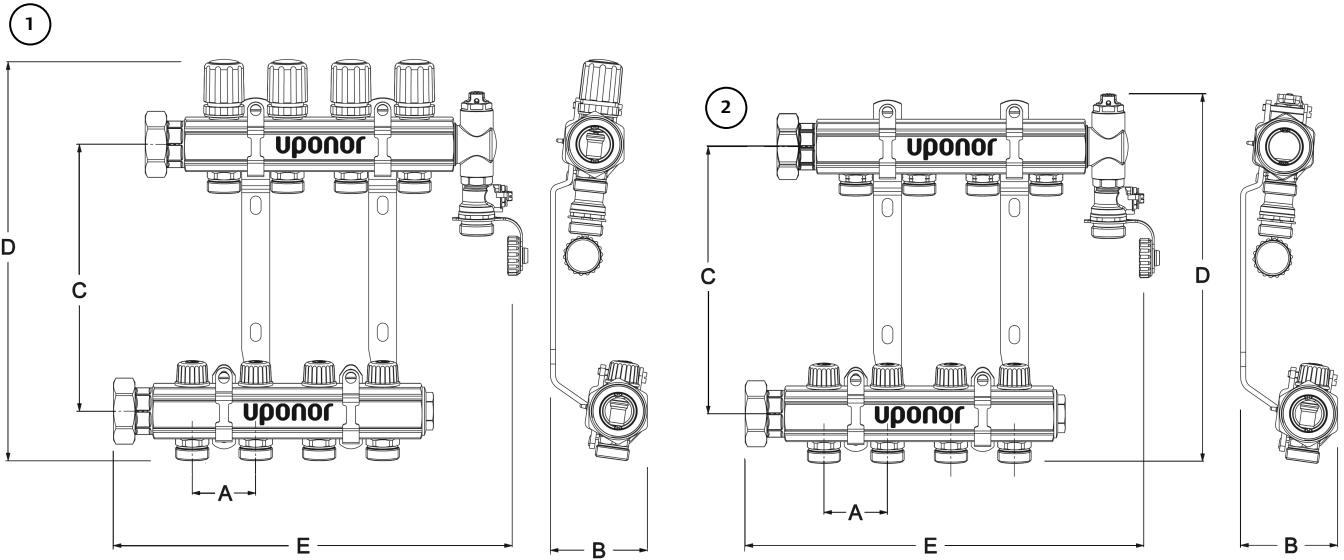
The loop connection features an R20 thread to accommodate 5/16" to 3/4" PEX or 1/2" and 5/8" MLC tubing. For

PEX tubing, use a QS-style or ProPEX® fittings. For MLC tubing, use only Uponor MLC press fittings.

**Features and Benefits**

- Two versions — assembly and add-on modular to meet any application need
- Made of highly reliable extruded brass
- O-ring sealed connections
- Calibrated balancing valves for better accuracy
- Heavy-duty bracket off-set (front-to-back and side-to-side)
- R32 unions to supply and return connections to accommodate any current manifold adapters
- Manifold with isolation valves for loop isolation
- Full line of accessories
- Uponor-exclusive design

# TruFLOW Jr. Manifold System



**TruFLOW Jr. Manifold Assemblies Dimensions** (in inches)

| No. | Part No. | Part Description   | A    | B    | C    | D     | E     |
|-----|----------|--|------|------|------|-------|-------|
| 1   | A2660201 | TruFLOW Jr. Assembly with Isolation and Balancing Valves, 2-loop | 1.97 | 3.00 | 8.25 | 12.40 | 8.40  |
| 1   | A2660301 | TruFLOW Jr. Assembly with Isolation and Balancing Valves, 3-loop | 1.97 | 3.00 | 8.25 | 12.40 | 10.34 |
| 1   | A2660401 | TruFLOW Jr. Assembly with Isolation and Balancing Valves, 4-loop | 1.97 | 3.00 | 8.25 | 12.40 | 12.28 |
| 1   | A2660501 | TruFLOW Jr. Assembly with Isolation and Balancing Valves, 5-loop | 1.97 | 3.00 | 8.25 | 12.40 | 14.22 |
| 1   | A2660601 | TruFLOW Jr. Assembly with Isolation and Balancing Valves, 6-loop | 1.97 | 3.00 | 8.25 | 12.40 | 16.16 |
| 1   | A2660701 | TruFLOW Jr. Assembly with Isolation and Balancing Valves, 7-loop | 1.97 | 3.00 | 8.25 | 12.40 | 18.13 |
| 1   | A2660801 | TruFLOW Jr. Assembly with Isolation and Balancing Valves, 8-loop | 1.97 | 3.00 | 8.25 | 12.40 | 20.10 |
| 2   | A2660200 | TruFLOW Jr. Assembly with Balancing Valves and Valveless, 2-loop | 1.97 | 3.00 | 8.25 | 11.41 | 8.40  |
| 2   | A2660300 | TruFLOW Jr. Assembly with Balancing Valves and Valveless, 3-loop | 1.97 | 3.00 | 8.25 | 11.41 | 10.34 |
| 2   | A2660400 | TruFLOW Jr. Assembly with Balancing Valves and Valveless, 4-loop | 1.97 | 3.00 | 8.25 | 11.41 | 12.28 |
| 2   | A2660500 | TruFLOW Jr. Assembly with Balancing Valves and Valveless, 5-loop | 1.97 | 3.00 | 8.25 | 11.41 | 14.22 |
| 2   | A2660600 | TruFLOW Jr. Assembly with Balancing Valves and Valveless, 6-loop | 1.97 | 3.00 | 8.25 | 11.41 | 16.16 |
| 2   | A2660700 | TruFLOW Jr. Assembly with Balancing Valves and Valveless, 7-loop | 1.97 | 3.00 | 8.25 | 11.41 | 18.13 |
| 2   | A2660800 | TruFLOW Jr. Assembly with Balancing Valves and Valveless, 8-loop | 1.97 | 3.00 | 8.25 | 11.41 | 20.10 |

**TruFLOW Jr. Add-on Modular Manifolds Dimensions** (in inches)

| No. | Part No. | Part Description   | A    | B    | C    |
|-----|----------|--|------|------|------|
| 3   | A2663202 | TruFLOW Jr. Valveless Manifold, 2-loop, R32 Male x R32 Union             | 1.97 | 5.66 | 2.30 |
| 3   | A2663203 | TruFLOW Jr. Valveless Manifold, 3-loop, R32 Male x R32 Union             | 1.97 | 7.63 | 2.30 |
| 3   | A2663204 | TruFLOW Jr. Valveless Manifold, 4-loop, R32 Male x R32 Union             | 1.97 | 9.60 | 2.30 |
| 4   | A2663212 | TruFLOW Jr. Manifold with Balancing Valves, 2-loop, R32 Male x R32 Union | 1.97 | 5.66 | 3.07 |
| 4   | A2663213 | TruFLOW Jr. Manifold with Balancing Valves, 3-loop, R32 Male x R32 Union | 1.97 | 7.63 | 3.07 |
| 4   | A2663214 | TruFLOW Jr. Manifold with Balancing Valves, 4-loop, R32 Male x R32 Union | 1.97 | 9.60 | 3.07 |
| 5   | A2663222 | TruFLOW Jr. Manifold with Isolation Valves, 2-loop, R32 Male x R32 Union | 1.97 | 5.66 | 4.13 |
| 5   | A2663223 | TruFLOW Jr. Manifold with Isolation Valves, 3-loop, R32 Male x R32 Union | 1.97 | 7.63 | 4.13 |
| 5   | A2663224 | TruFLOW Jr. Manifold with Isolation Valves, 4-loop, R32 Male x R32 Union | 1.97 | 9.60 | 4.13 |

