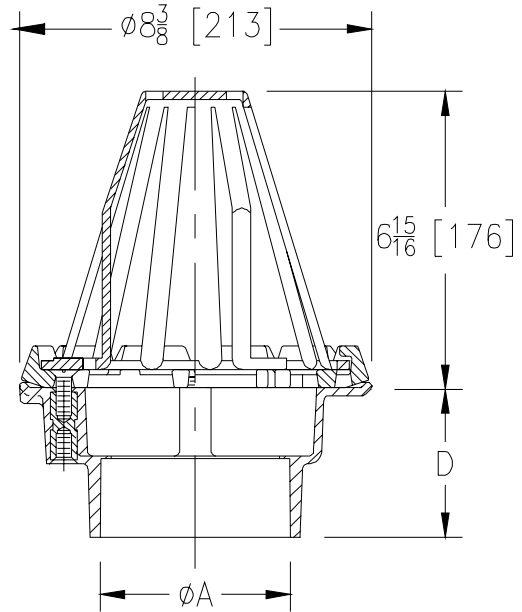


Dimensional Data (inches and [ mm ]) are Subject to Manufacturing Tolerances and Change Without Notice



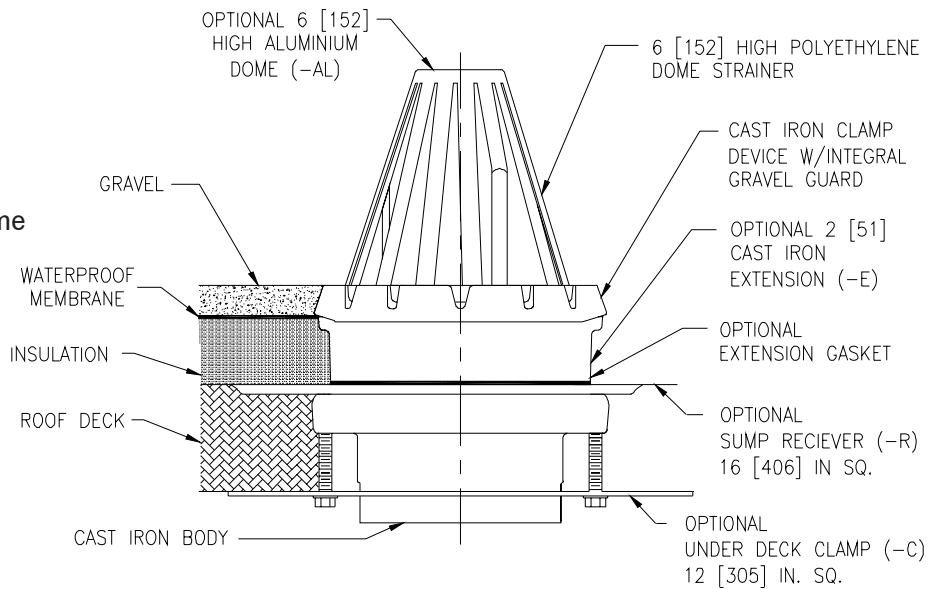
Product	'A' Connections	D	Dome Open Area Sq. In. [cm <sup>2</sup> ]
___ RD2090-NH2	2 [50] No-Hub	3 7/8 [98]	15 [97]
___ RD2090-NH3	3 [75] No-Hub	3 7/8 [98]	
___ RD2090-NH4	4 [100] No-Hub	3 7/8 [98]	
___ RD2090-PO2	2 [50] Push-On	3 23/64 [85]	
___ RD2090-PO3	3 [75] Push-On	4 29/64 [113]	
___ RD2090-PO4	4 [100] Push-On	5 43/64 [144]	

**RD2090 8 [203] Diameter Cast Iron Small Area Roof Drain** Constructed of a Dura-Coated cast iron body. Standard to the roof drain is a cast iron clamp device with an integral gravel guard and a polyethylene dome strainer.

**Typical Installation**

**Options:**

- \_\_\_ **-AL** Aluminum Dome Strainer
- \_\_\_ **-C** Underdeck Clamp
- \_\_\_ **-CI** Cast Iron Dome Strainer
- \_\_\_ **-E** Extension Flange
- \_\_\_ **-R** Roof Sump Receiver
- \_\_\_ **-VP** Vandal Proof Screws for Dome



**Features**

- Recommended for installation in flat areas with decks that are constructed of steel, wood, or concrete.
- Cast iron clamp device is provided to ensure strength and stability necessary for water-tight seal.
- No-Hub/Push-On outlet connections easily adapt to plastic pipe, simplifying the installation process.