

# BSGV Steam Radiator Gate Valve • Spec Sheet

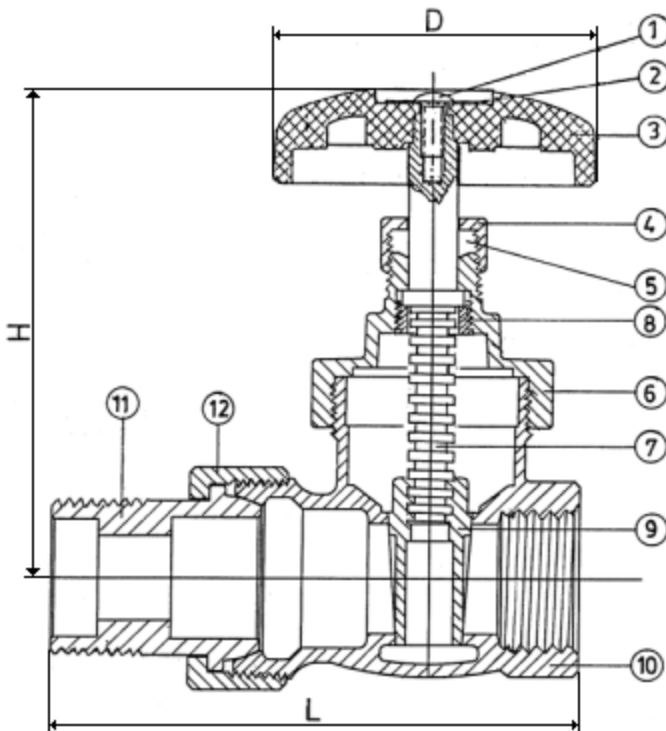


## FEATURES & BENEFITS

- Radiator Gate Valve
- Heavy Pattern
- 125 WSP-200 WOG
- FIP x Male Union
- ISO 9002
- Sizes 3/4" - 1 1/2"

## DIMENSIONS

Part #	Size	L	H	D
BSGV - 0750	3/4"	3.53	3.59	2.29
BSGV - 1000	1"	3.98	4.04	2.29
BSGV - 1250	1-1/4"	4.45	4.77	2.29
BSGV - 1500	1-1/2"	4.85	4.85	2.29



## MATERIAL SPECIFICATIONS

No.	Part	Material
1	Wheel Nut	Steel
2	Name Plate	Aluminum A1100
3	Handwheel	Phenolic
4	Packing Nut	Brass C16 C36000
5	Packing	PTFE
6	Bonnet	Bronze B584 C84400
7	Stem	Brass C16 C36000
8	Lock Nut	Brass C16 C36000
9	Disc	Bronze B584 C84400
10	Body	Bronze B584 C84400
11	Nipple	Bronze B584 C84400
12	Nipple Nut	Bronze B584 C84400

 **MATCO-NORCA**  
Global sourcing. National compliance. Local service.

**CALIFORNIA** 5593 Fresca Dr., La Palma CA 90623 • Toll Free: 866-532-8306 • Fax: 866-532-8307  
**TEXAS** 1150 Silber Rd., Houston TX 77055 • Toll Free: 800-935-5456 • Fax: 713-680-2999  
**NEW YORK** PO Box 27, Rt. 22, Brewster NY 10509 • Toll Free: 800-431-2082 • Fax: 845-278-9056  
 WEB: [www.matco-norca.com](http://www.matco-norca.com) EMAIL: [mail@matco-norca.com](mailto:mail@matco-norca.com)