



This parts list must be left with owner, hung on or adjacent to the boiler. Owner should retain parts list for future reference.

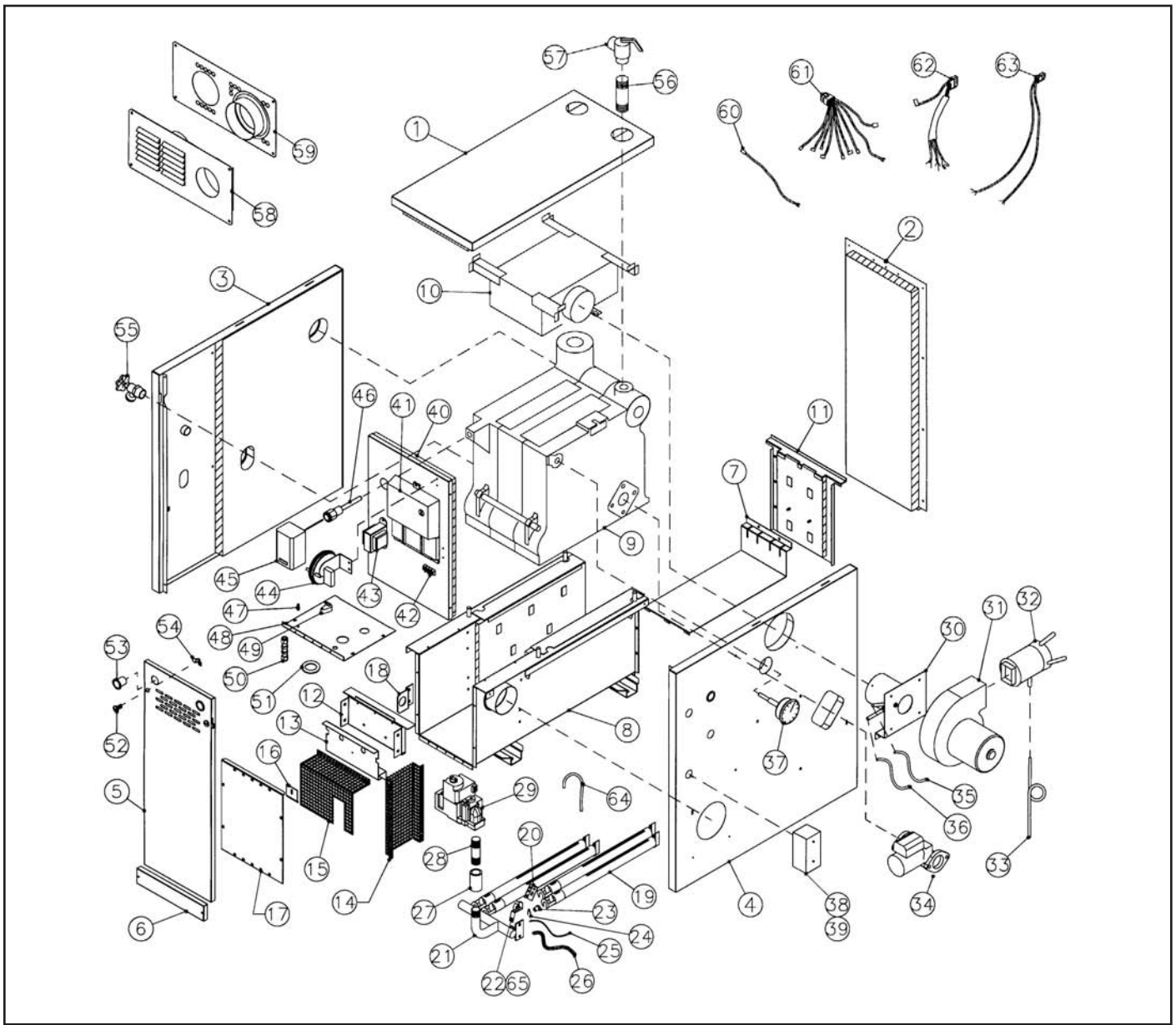
# VICTORY™ VSPH Cast-iron sealed combustion gas boilers.

## BOILER REPLACEMENT PARTS LIST

Item No.	DESCRIPTION	VSPH-60	VSPH-90	VSPH-120	VSPH-150	VSPH-180
1	Jacket Top Panel	451053	451054	451055	451056	451057
2	Jacket Back Panel	451128	451129	451130	451131	451132
3	Jacket Left Panel	451127	451127	451127	451127	451127
4	Jacket Right Panel	451111	451111	451111	451111	451111
5	Jacket Front Upper Panel	451041	451042	451043	451044	451045
6	Jacket Front Lower Panel	450062	450063	450064	450065	450066
7	Bottom Shield & Burner Holder	450012	450013	450014	450015	450016
8	Base Assembly	451016	451017	451018	451019	451020
9	Heat Exchanger Assembly	451122	451123	451124	451125	451126
10	Flue Collector Assembly	451106	451107	451108	451109	451110
11	Base Back Assembly	451011	451012	451013	451014	451015
12	Base Front Assembly	451006	451007	451008	451009	451010
13	Access Door	440028	440029	440030	440031	440032
14	Inlet Air screen	450018	450018	450018	450018	450018
15	Combustion Chamber Screen	450019	450020	450021	450022	450023
16	Combustion Chamber Screen Clip	450029	450029	450029	450029	450029
17	Air Box Front Panel	450024	450025	450026	450027	450028
18	Manifold Bracket	450017	450017	450017	450017	450017
19	Burner	440539	440539	440539	440539	440539
20	Burner with Bracket	440540	440540	440540	440540	440540
21	Gas Manifold	453015	453016	453017	453018	453019
22	Pilot Burner Assembly, Natural Gas	411612	411612	411612	411612	411612
22	Pilot Burner Assembly, Propane Gas	411857	411857	411857	411857	411857
23	Main Burner Orifice, Natural Gas.	440552	440552	440552	440552	440552
23	Main Burner Orifice, Propane	440553	440553	440553	440553	440553
24	Burner Clip	410509	410509	410509	410509	410509
25	Ignition Cable	440153	440153	440153	440153	440153
26	Pilot Tube, 1/4 O.D. Aluminum	410530	410530	410530	410530	410530
27	1/2 NPT Coupling	453002	453002	453002	453002	453002
28	1/2 NPT Nipple 4" Long	453003	453003	453003	453003	453003
29	Gas Valve, Natural Gas	440534	440534	440534	440534	440534
29	Gas Valve, Propane	440535	440535	440535	440535	440535
30	Inducer Inlet Assembly	451112	451113	451114	451115	451116
31	Blower Assembly	453043	453043	453043	453043	453043
32	Flue Collar, Adapter and Cond. Drain	455026	455026	455026	455026	455026
33	Condensation Drain Plastic Tubing	440802	440802	440802	440802	440802
34	Circulator	7902022	7902022	7902022	7902022	7902022
35	Pressure Switch Plastic Tubing- Clear	440760024	440760024	440760024	440760024	440760024
36	Pressure Switch Plastic Tubing- Red	453051	453051	453051	453051	453051
37	Temperature/Pressure Gauge	910373061	910373061	910373061	910373061	910373061
38	Junction Box	650607	650607	650607	650607	650607
39	Junction Box Cover	650608	650608	650608	650608	650608
40	Control Panel with Insulation	451066	451067	451068	451069	451070
41	Boiler Control	453037	453037	453037	453037	453037
42	Thermostat Terminal Board	660523	660523	660523	660523	660523
43	120/24 VAC Transformer	660528	660528	660528	660528	660528
44	Pressure Switch	453053	453053	453054	453055	453055
45	Aquastat	410699	410699	410699	410699	410699
46	Immersion Well	410569	410569	410569	410569	410569
47	Brass Barb Fitting	660596	660596	660596	660596	660596
48	Air Box Top Assembly	451026	451027	451028	451029	451030
49	Roll-Out Safety Switch	440721	440721	440721	440721	440721
50	Brass Bulkhead Coupling	453001	453001	453001	453001	453001
51	Manifold Sealing Washer	450030	450030	450030	450030	450030
52	1/4 Turn Pawl Latch Slotted Stud	110028	110028	110028	110028	110028
53	Snap Bushing	500385	500385	500385	500385	500385
54	1/4 Turn Pawl Latch	005075	005075	005075	005075	005075
55	Drain Valve	910460011	910460011	910460011	910460011	910460011
56	Pipe Nipple, 3/4'	400225	400225	400225	400225	400225
57	Relief Valve, 30 psi	400103	400103	400103	400103	400103
58	Vent/Air intake outside Terminal	451139	451139	451139	451139	451139
59	Vent/Air intake inside Terminal	451140	451140	451140	451140	451140
60	Aquastat/Roll-Out Switch Harness	453039	453039	453039	453039	453039
61	Control And Safety Harness	453038	453038	453038	453038	453038
62	Power Connection Harness	453040	453040	453040	453040	453040
63	Circulator Harness	453041	453041	453041	453041	453041
64	Gas Valve to Coupling Tubing	453004	453004	453004	453004	453004
65	Pilot Orifice, Natural Gas	410542	410542	410542	410542	410542
65	Pilot Orifice, Propane	410524	410524	410524	410524	410524

When ordering replacement parts, specify the boiler model number, serial number and gas by name (natural or propane). For replacement parts, heating contractors should contact their Slant/Fin boiler distributor.

PUBLICATION VSPH-10PL Rev.A  
Printed in U.S.A. 704  
Part No. 455034



### OPTIONAL VENT SYSTEM PARTS

3" diameter Heat-Fab Saf-T EZ Seal venting system (AL29-4C<sup>+</sup> stainless steel)  
for horizontal or vertical pressure venting

DESCRIPTION	Slant/Fin Part No.	Heat-Fab EZ Seal Part No.
6" long vent pipe	455020	9301
12" long vent pipe	455021	9302
18" long vent pipe	455022	9304
24" long vent pipe	455023	9305
37½" long vent pipe	455024	9307
Elbow termination with screen	440678	7314TERM
Support, 6" clearance	440679	7323GCC
Support, 2" clearance	440692	7323GC2
Support clamp	440680	4327SS
45° elbow	455017	9311
90° elbow, standard radius	455019	9314LR
TEE termination with screen	440683	7390TEE

DESCRIPTION	Slant/Fin Part No.	Heat-Fab EZ Seal Part No.
Slip joint connector (6"-19")	455025	9324
Fire stop	440685	5318CI
90° elbow, tight radius	455018	9314
Wall thimble* (5"-8" Wall)	440695	—
Sealant GE-RTV 106	440690	—
-3 oz. Tube	440691	—
Sealant Dow Corning 732	440691	—
-3 oz. Tube	440691	—
Sealant Dow Corning 732	440693	—
-10 oz. Cartridge	440693	—
Straight termination with screen	660548	7392GC

\*: AL 29-4C is registered trademark of Allegheny Ludlum Corp.

\* Must be used with slip joint connector.



SLANT/FIN CORPORATION, Greenvale, N.Y. 11548 • Phone: (516) 484-2600  
FAX: (516) 484-5921 • Canada: Slant/Fin LTD/LTEE, Mississauga, Ontario

www.slantfin.com